



US00D734801S

(12) **United States Design Patent**
Yang

(10) **Patent No.:** **US D734,801 S**
(45) **Date of Patent:** **** Jul. 21, 2015**

(54) **CAMERA**

(71) Applicant: **Fantasia Trading LLC**, Santa Clara, CA (US)

(72) Inventor: **Meng Yang**, Santa Clara, CA (US)

(73) Assignee: **Fantasia Trading LLC**, Santa Clara, CA (US)

(**) Term: **14 Years**

(21) Appl. No.: **29/470,352**

(22) Filed: **Oct. 21, 2013**

(51) **LOC (10) Cl.** **16-01**

(52) **U.S. Cl.**
USPC **D16/202**

(58) **Field of Classification Search**

USPC D16/134, 200, 202–206, 208, 218, 219,
D16/242; 248/187.1; 348/14.01–14.16, 143,
348/148, 151, 373–376; 396/419, 427, 428,
396/529, 532, 535, 539–541
CPC G03B 17/02; G03B 19/04; G03B 17/56;
G03B 17/04; G03B 15/03; H04N 5/2251;
H04N 5/2252; H04N 5/2253; H04N 5/2254;
H04N 2007/145; H04N 7/141; H04N 7/142;
H04N 7/147; H04N 7/148; H04N 7/15;
H04N 7/152

See application file for complete search history.

(56) **References Cited**

U.S. PATENT DOCUMENTS

4,160,999 A * 7/1979 Claggett 348/151
D534,937 S * 1/2007 Lee D16/203
D572,291 S * 7/2008 Aiba D16/219
D633,120 S * 2/2011 Ham D16/203

D647,553 S * 10/2011 Park D16/203
D677,297 S * 3/2013 Bart et al. D16/203
D678,379 S * 3/2013 O'Neill et al. D16/134
D697,958 S * 1/2014 O'Neill et al. D16/134
2009/0169198 A1 * 7/2009 Chang 396/529
2013/0107109 A1 * 5/2013 Yang 348/373
2013/0148954 A1 * 6/2013 Uehara et al. 396/532

OTHER PUBLICATIONS

<http://www.nfcworld.com/2011/06/21/38143/nokia-launches-nfc-speakers-and-music-receiver/>; Nokia MD-310 Wireless Music Receiver; accessed Nov. 8, 2013.

http://www.htcaccessorystore.com/uk/p_htc_item.aspx?i=226606&phone=207989; HTC Portable Bluetooth Conference Speaker BS P100; accessed Nov. 8, 2013.

* cited by examiner

Primary Examiner — Adir Aronovich

Assistant Examiner — Ramzi Almatrahi

(74) *Attorney, Agent, or Firm* — Finnegan, Henderson, Farabow, Garrett & Dunner, LLP

(57) **CLAIM**

The ornamental design for a camera, as shown and described.

DESCRIPTION

FIG. 1 is a front perspective view of a camera showing my new design;

FIG. 2 is a left side elevation view thereof;

FIG. 3 is a right side elevation view thereof;

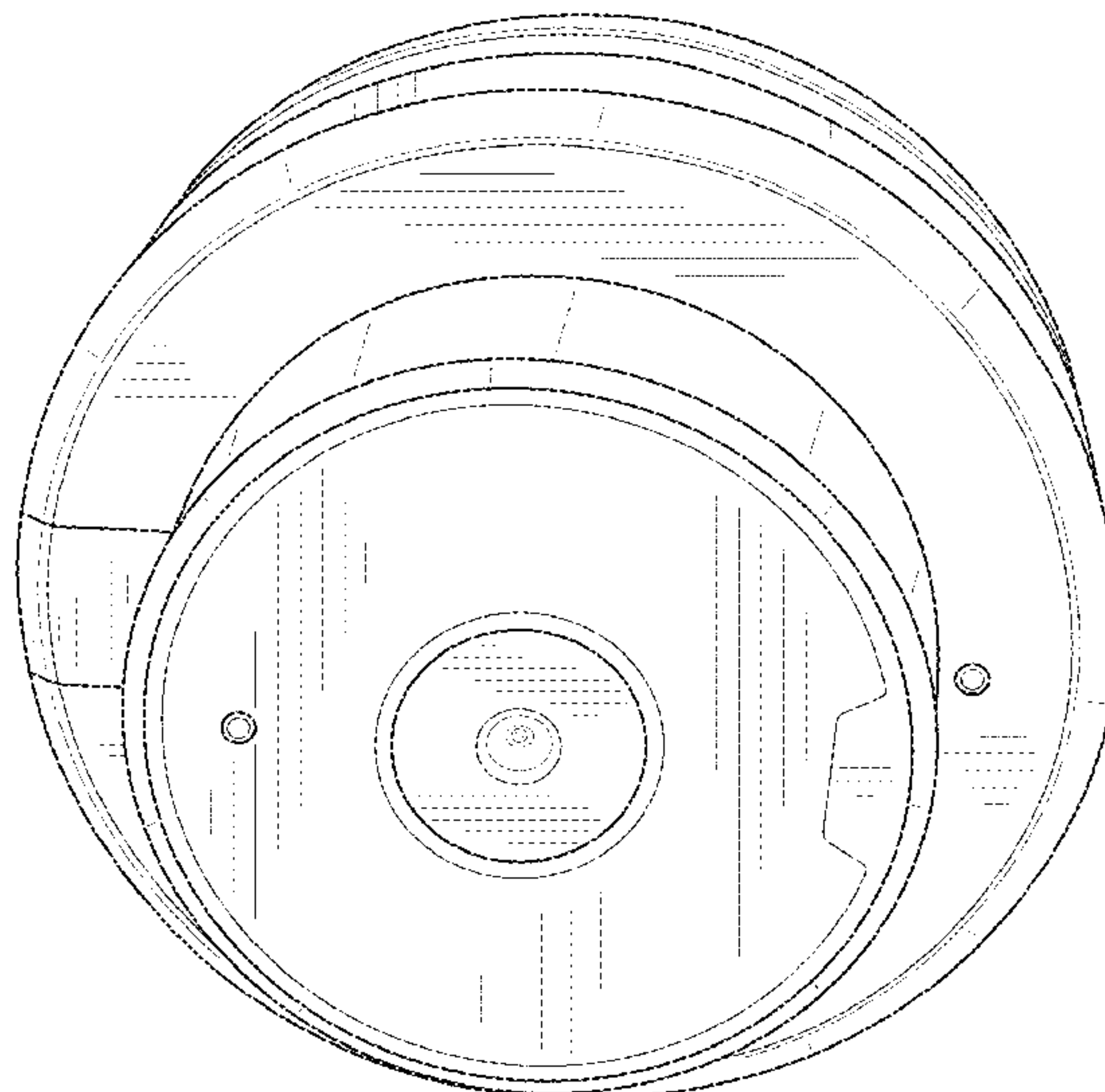
FIG. 4 is a rear elevation view thereof;

FIG. 5 is a front elevation view thereof;

FIG. 6 is a top plan view thereof; and,

FIG. 7 is a bottom plan view thereof.

1 Claim, 7 Drawing Sheets



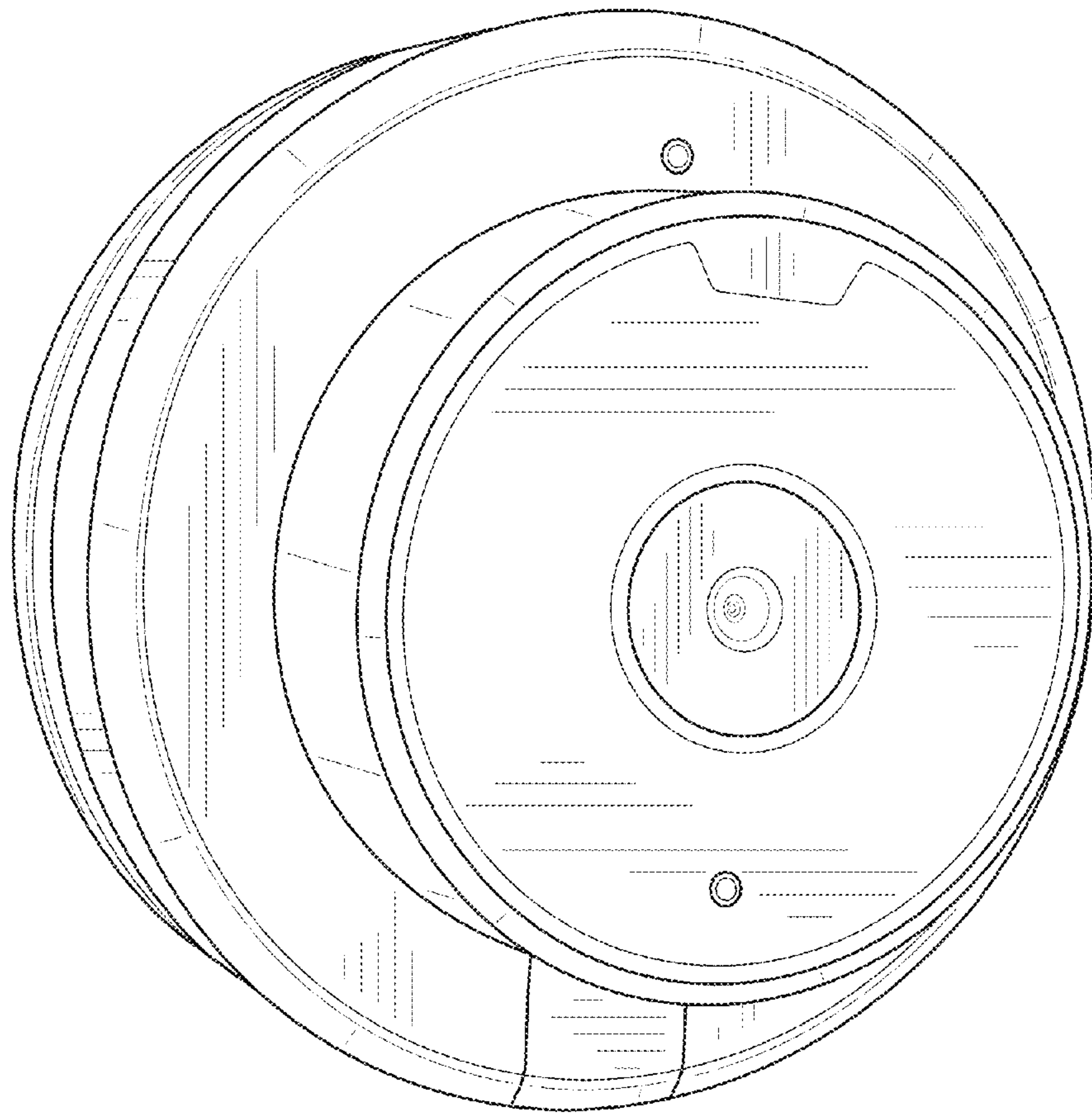


FIG. 1

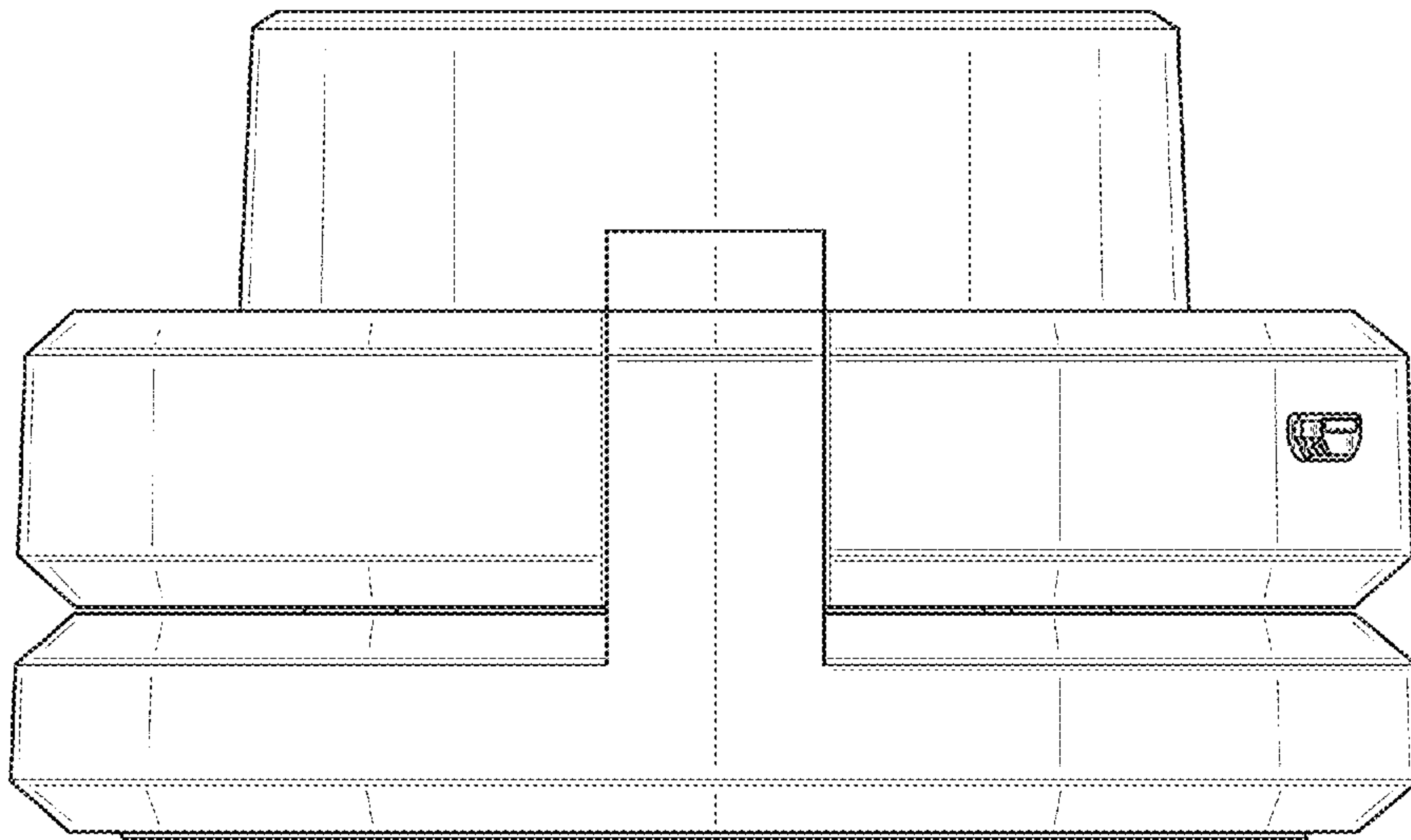


FIG. 2

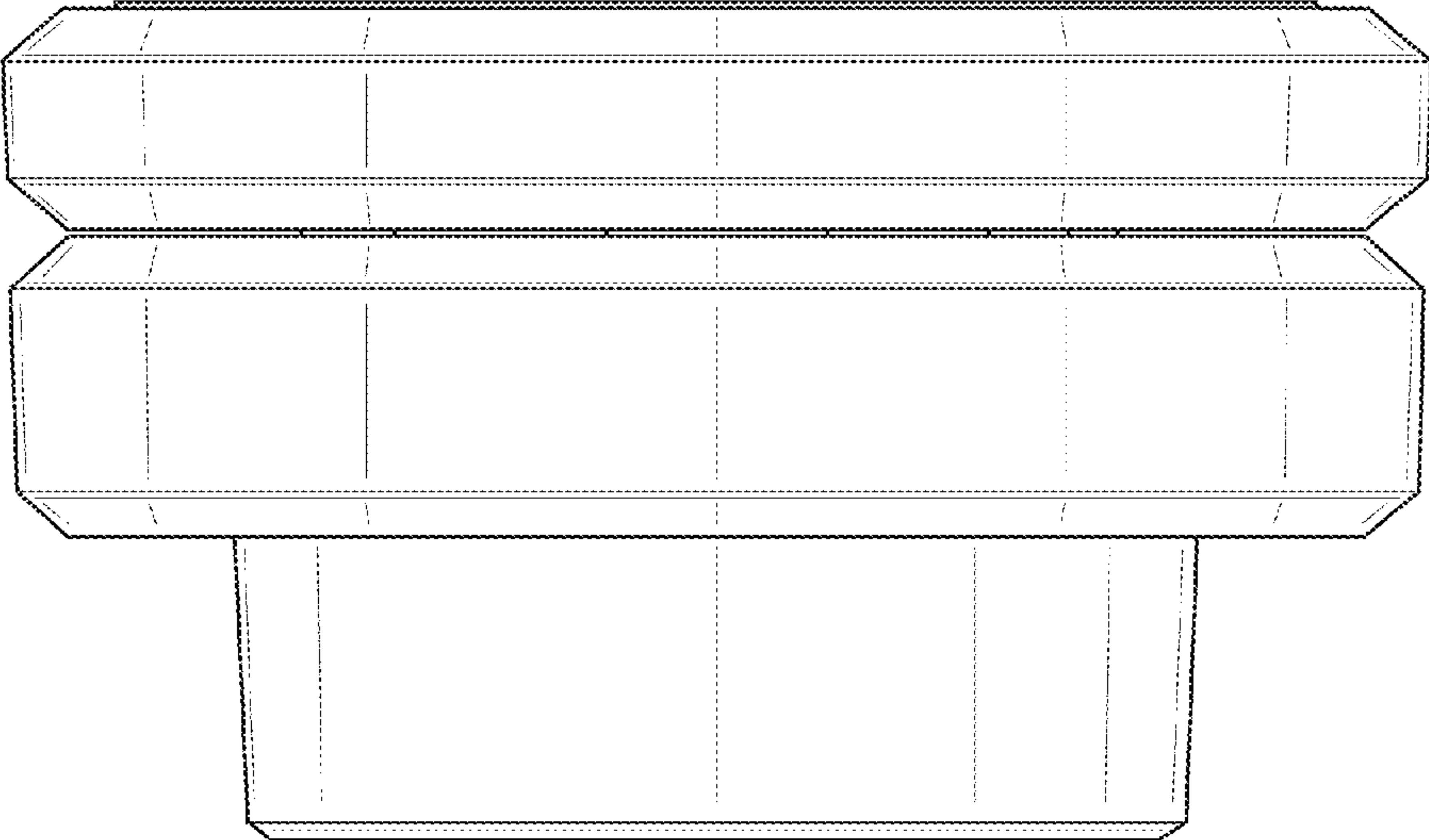


FIG. 3

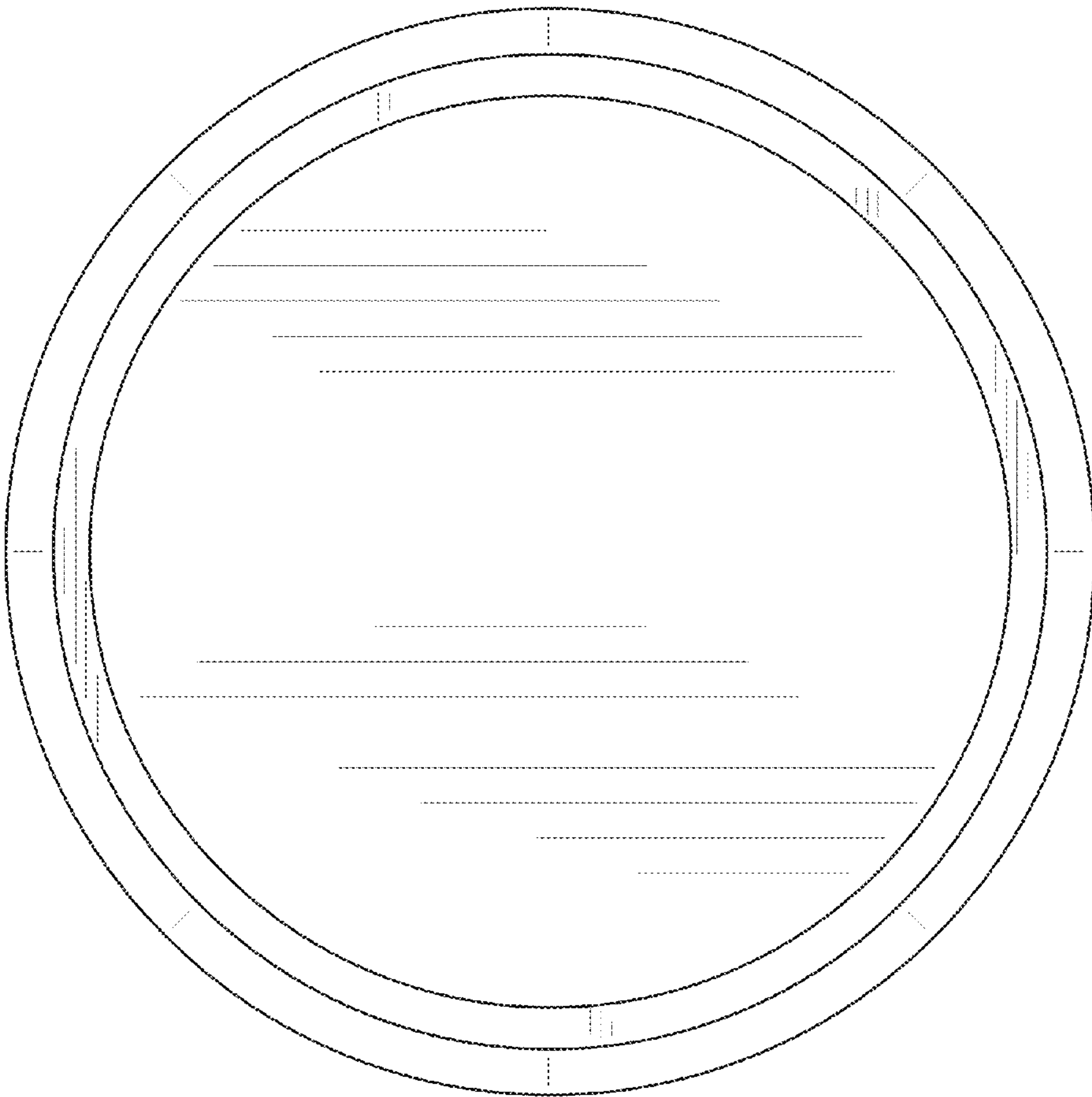


FIG. 4

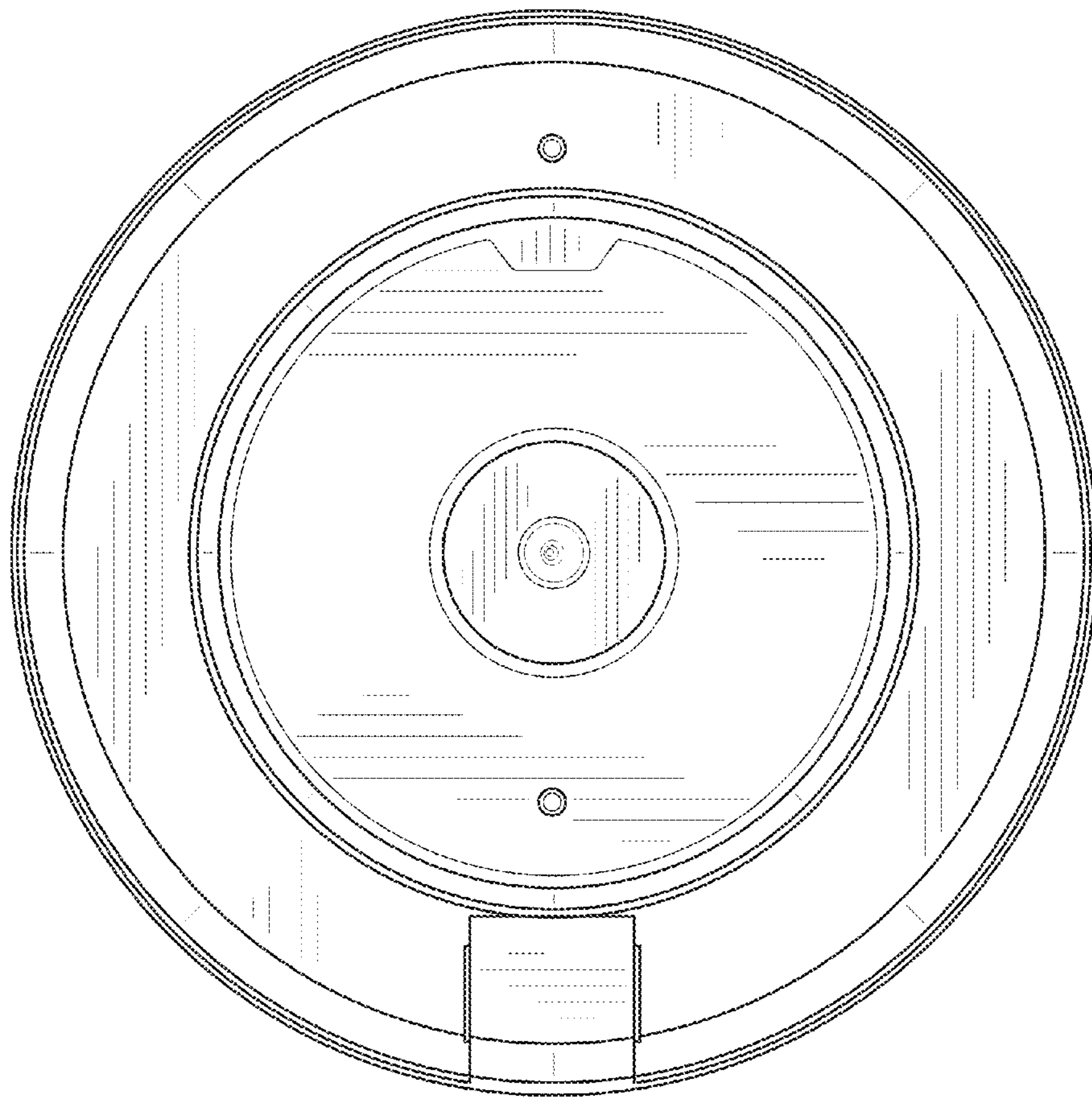


FIG. 5

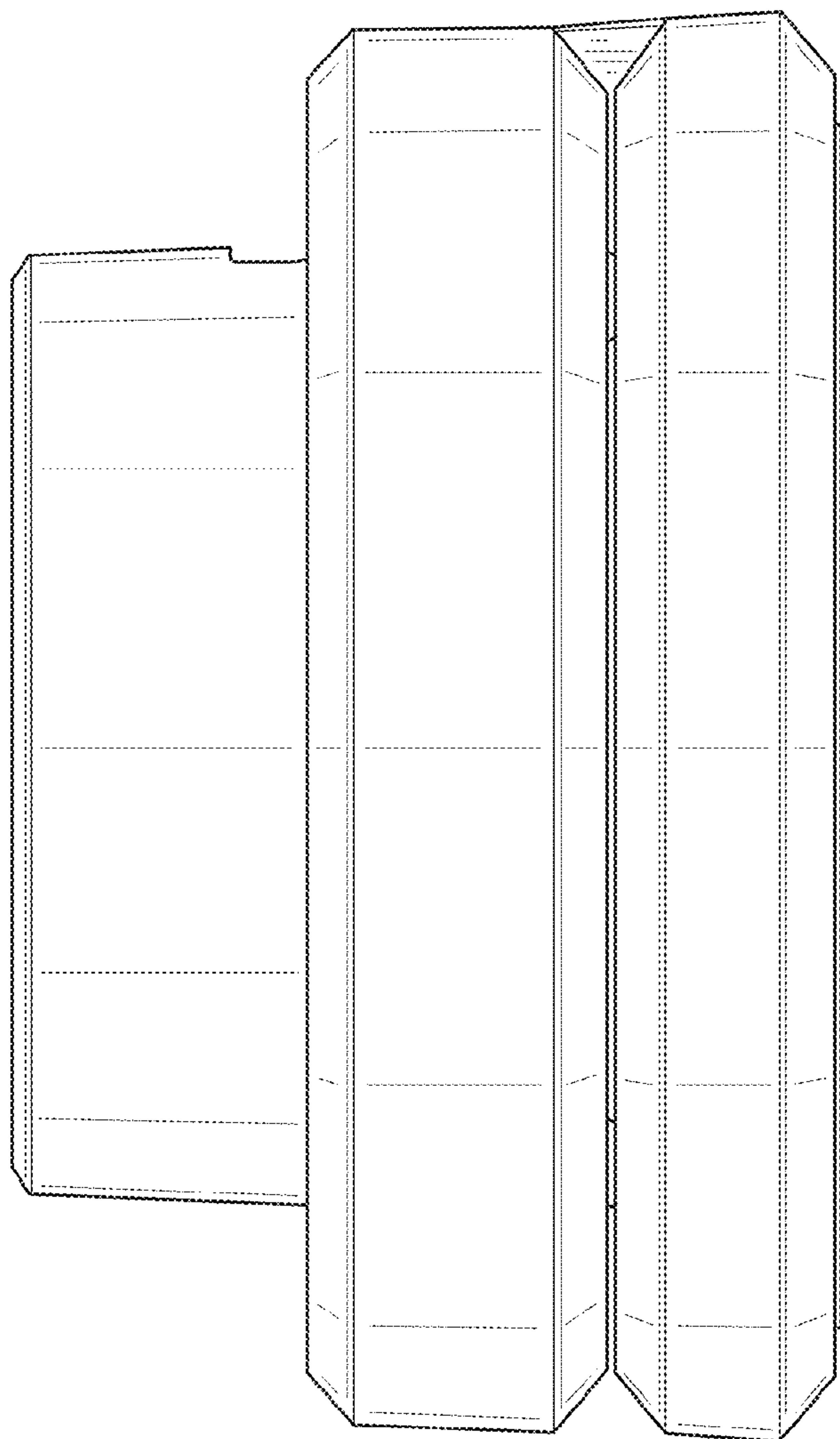


FIG. 6

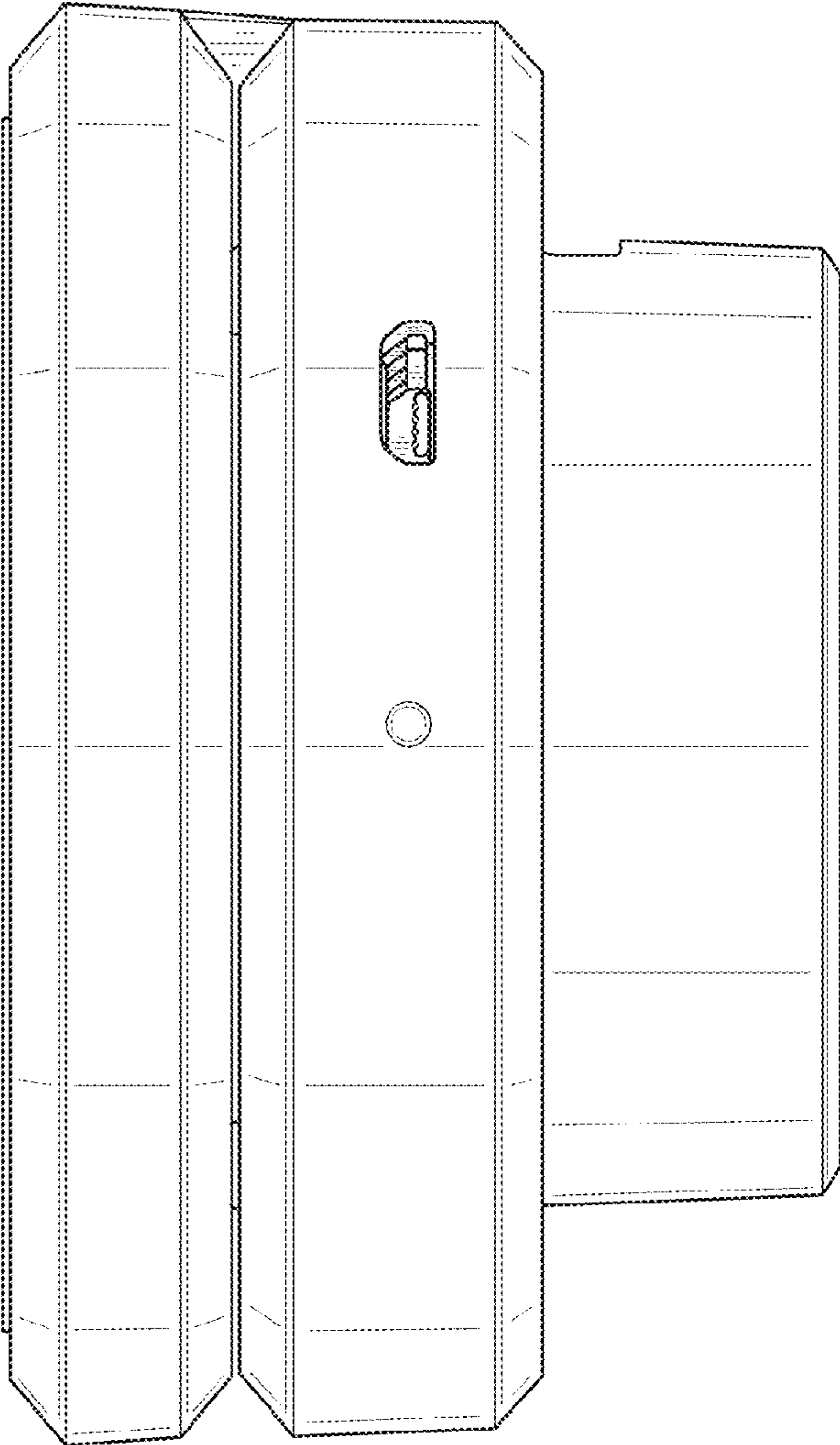


FIG. 7