



US00D734798S

(12) **United States Design Patent**  
**Hofmann et al.**

(10) **Patent No.:** **US D734,798 S**  
(45) **Date of Patent:** **\*\* Jul. 21, 2015**

- (54) **MICROSCOPE VIEWING HEAD**
- (71) Applicant: **Carl Zeiss Microscopy GmbH**, Jena (DE)
- (72) Inventors: **Kerstin Hofmann**, Goettingen (DE); **Axel Laschke**, Waake (DE); **Ilka Schlesiger**, Jena (DE); **Michael Winterot**, Jena (DE); **Martin Stohr**, Jena (DE)
- (73) Assignee: **Carl Zeiss Microscopy GmbH**, Jena (DE)

D461,201	S	*	8/2002	Apotheloz	.....	D16/131
D520,542	S	*	5/2006	Suzuki et al.	.....	D16/131
D523,046	S	*	6/2006	Suzuki et al.	.....	D16/131
D607,030	S	*	12/2009	Hoelbl	.....	D16/131
2006/0198019	A1	*	9/2006	Pomerantz et al.	.....	359/368
2007/0047072	A1	*	3/2007	Zimmer	.....	359/377
2011/0085234	A1	*	4/2011	Feger	.....	359/363

- (\*\*) Term: **14 Years**
- (21) Appl. No.: **29/494,810**
- (22) Filed: **Jun. 24, 2014**

**OTHER PUBLICATIONS**

Brochure of Stemi DR, Stemi DV4 and Stemi 2000 Stereomicroscopes, 30 pages, published by Carl Zeiss Microscopy GmbH, Jena, Germany.  
 Brochure of Stemi 2000 Stereomicroscopes, 6 pages, published by Carl Zeiss Microscopy GmbH, Jena, Germany.

\* cited by examiner

*Primary Examiner* — Derrick Holland  
*Assistant Examiner* — Lauren Calve  
 (74) *Attorney, Agent, or Firm* — Christensen Fonder P.A.

- (30) **Foreign Application Priority Data**  
 Apr. 3, 2014 (EM) ..... 002439794
- (51) **LOC (10) Cl.** ..... **06-06**
- (52) **U.S. Cl.**  
 USPC ..... **D16/131**
- (58) **Field of Classification Search**  
 USPC ..... D16/131; 359/361, 368, 375, 376, 377,  
 359/378, 379, 380, 381, 382, 383, 384, 385,  
 359/387, 388, 389, 390, 393  
 See application file for complete search history.

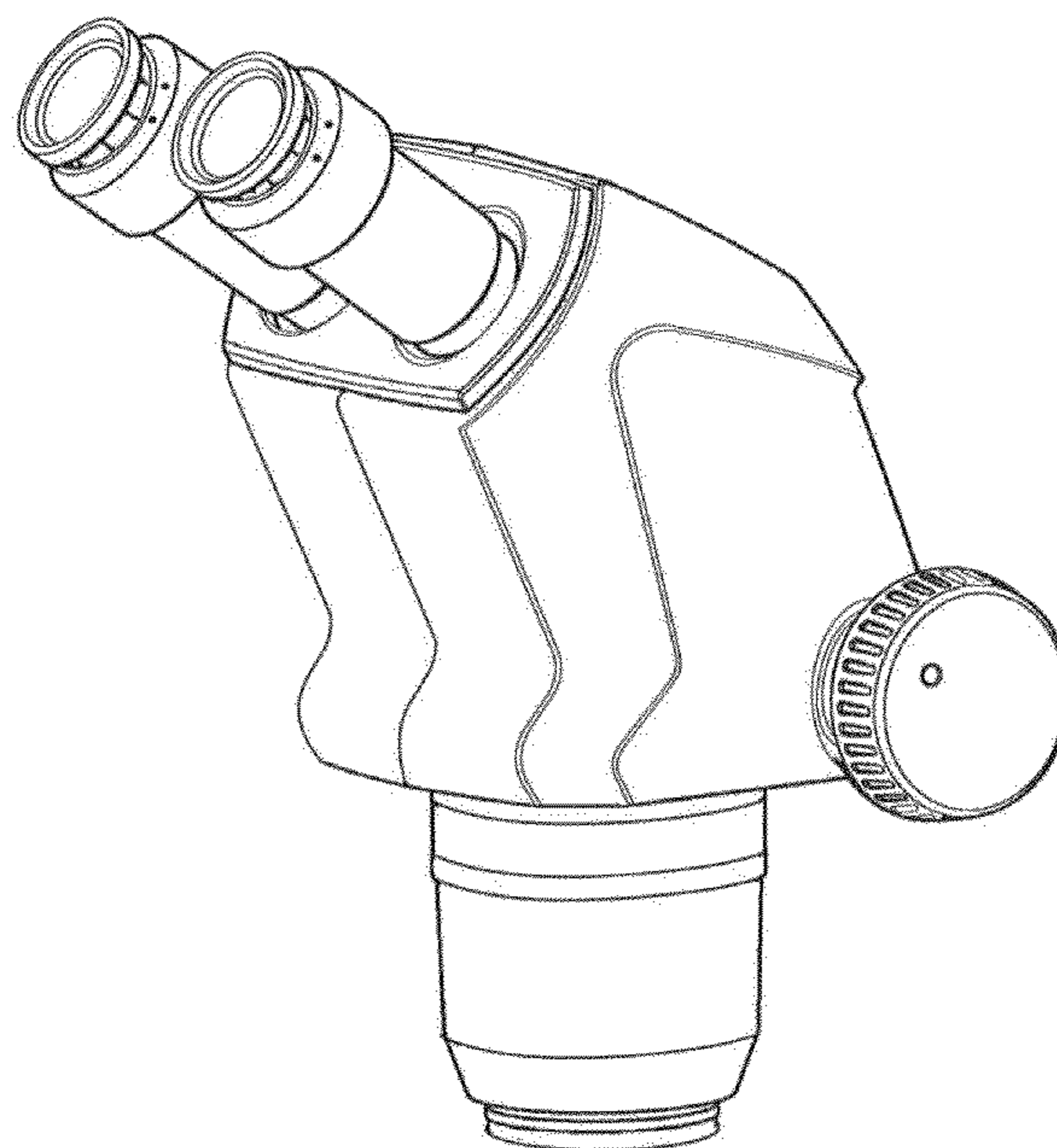
(57) **CLAIM**  
 We claim the ornamental design for a microscope viewing head, as shown and described.

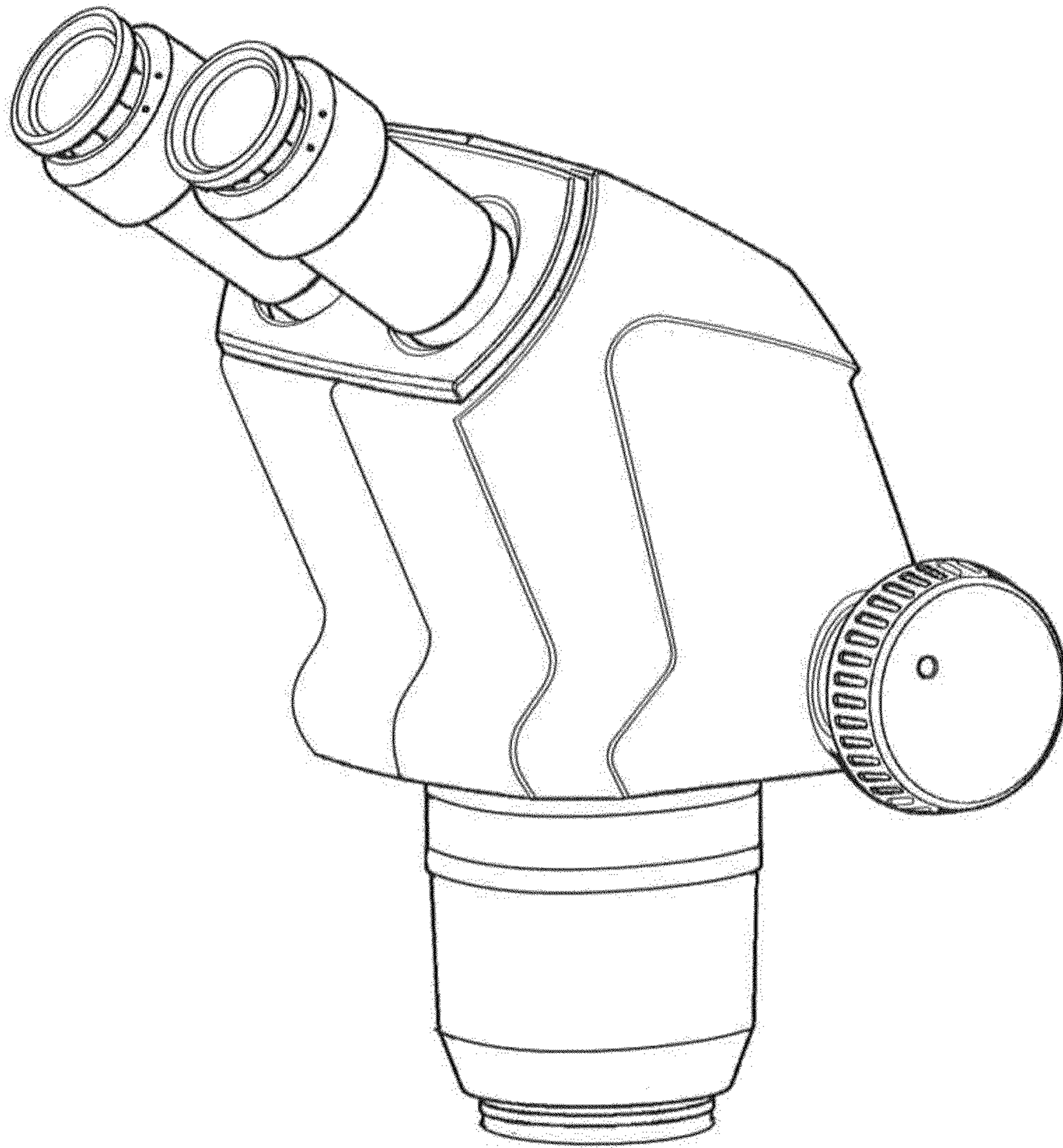
- (56) **References Cited**  
 U.S. PATENT DOCUMENTS  
 D355,430 S \* 2/1995 Hofmann-Igl ..... D16/131  
 D367,869 S \* 3/1996 Hofmann-Igl et al. .... D16/131  
 D439,258 S \* 3/2001 Kawahata ..... D16/131

**DESCRIPTION**

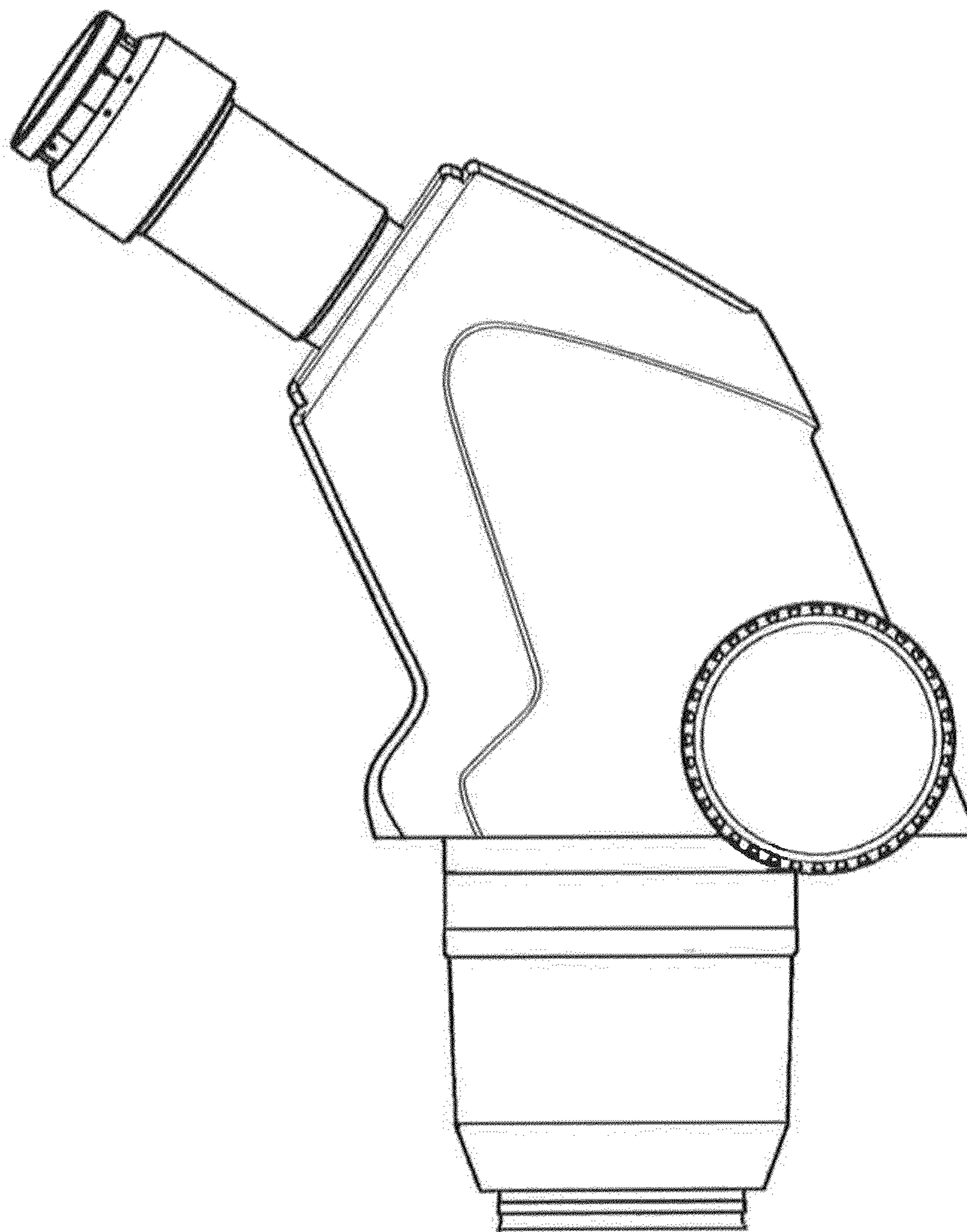
FIG. 1 is a rear perspective view of a microscope viewing head.  
 FIG. 2 is a left side elevational view thereof.  
 FIG. 3 is a right side elevational view thereof.  
 FIG. 4 is a rear elevational view thereof.  
 FIG. 5 is a front elevational view thereof; and,  
 FIG. 6 is a top plan view thereof.  
 The bottom side of the microscope viewing head forms no part of the claimed design.

**1 Claim, 6 Drawing Sheets**

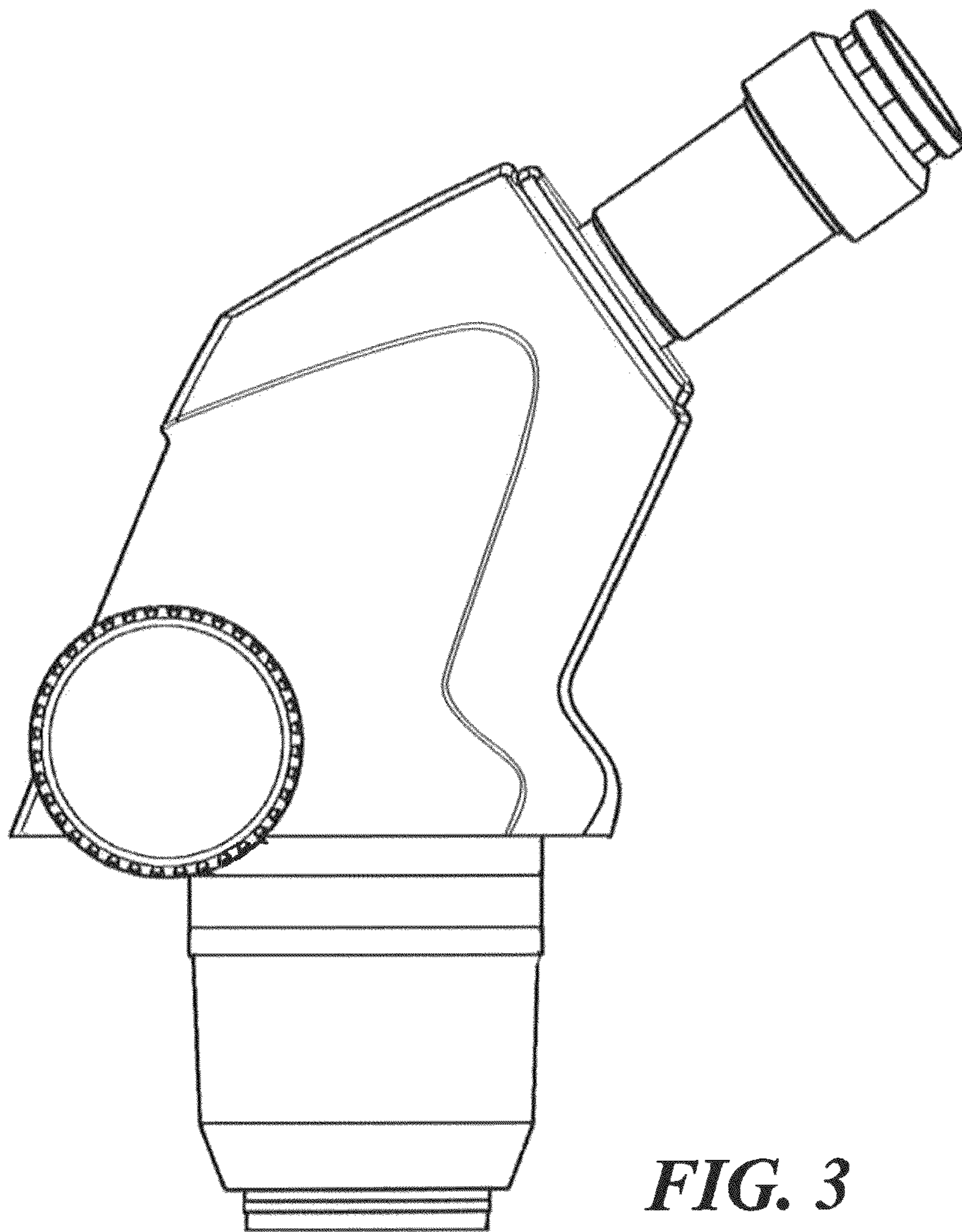




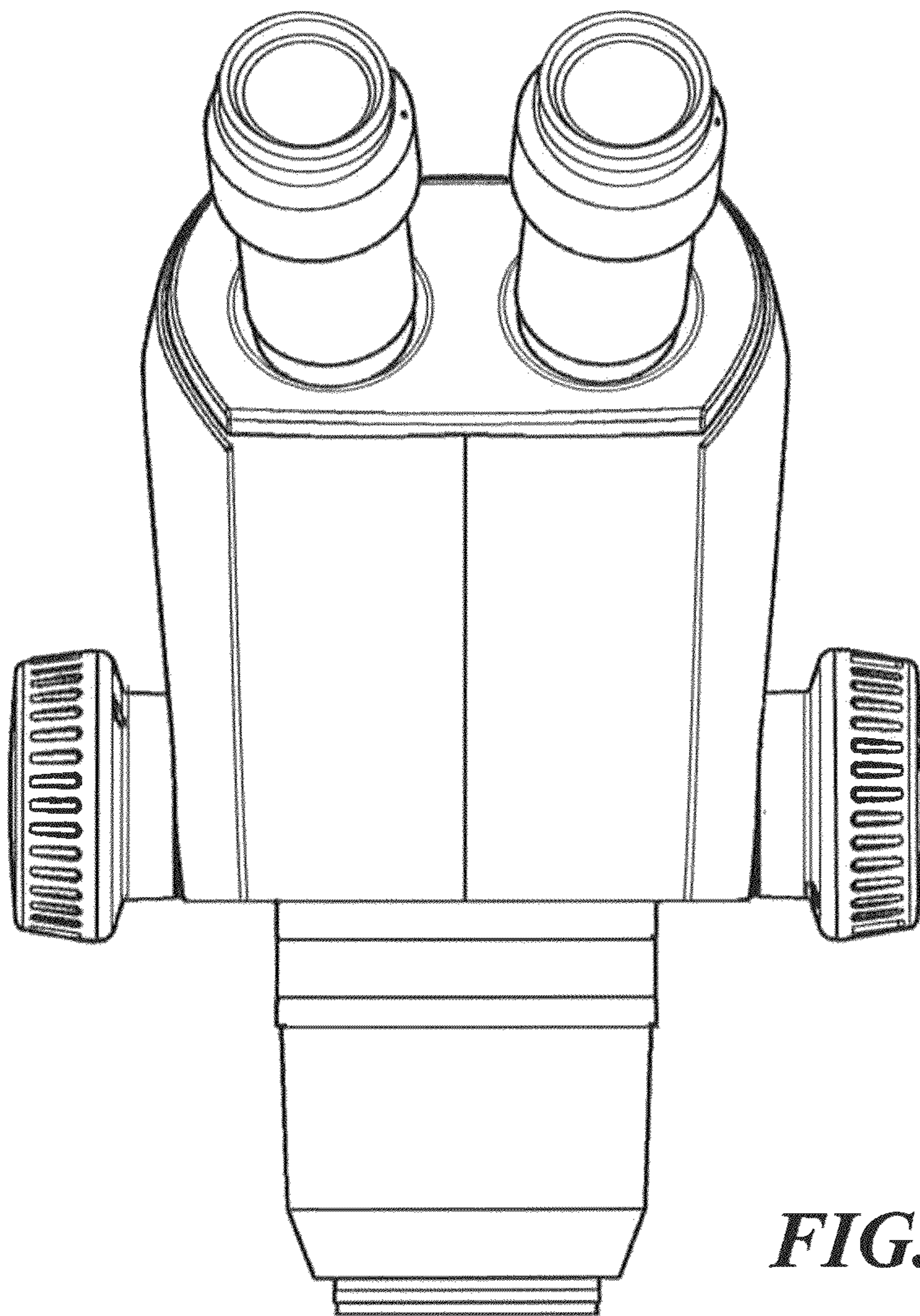
***FIG. 1***



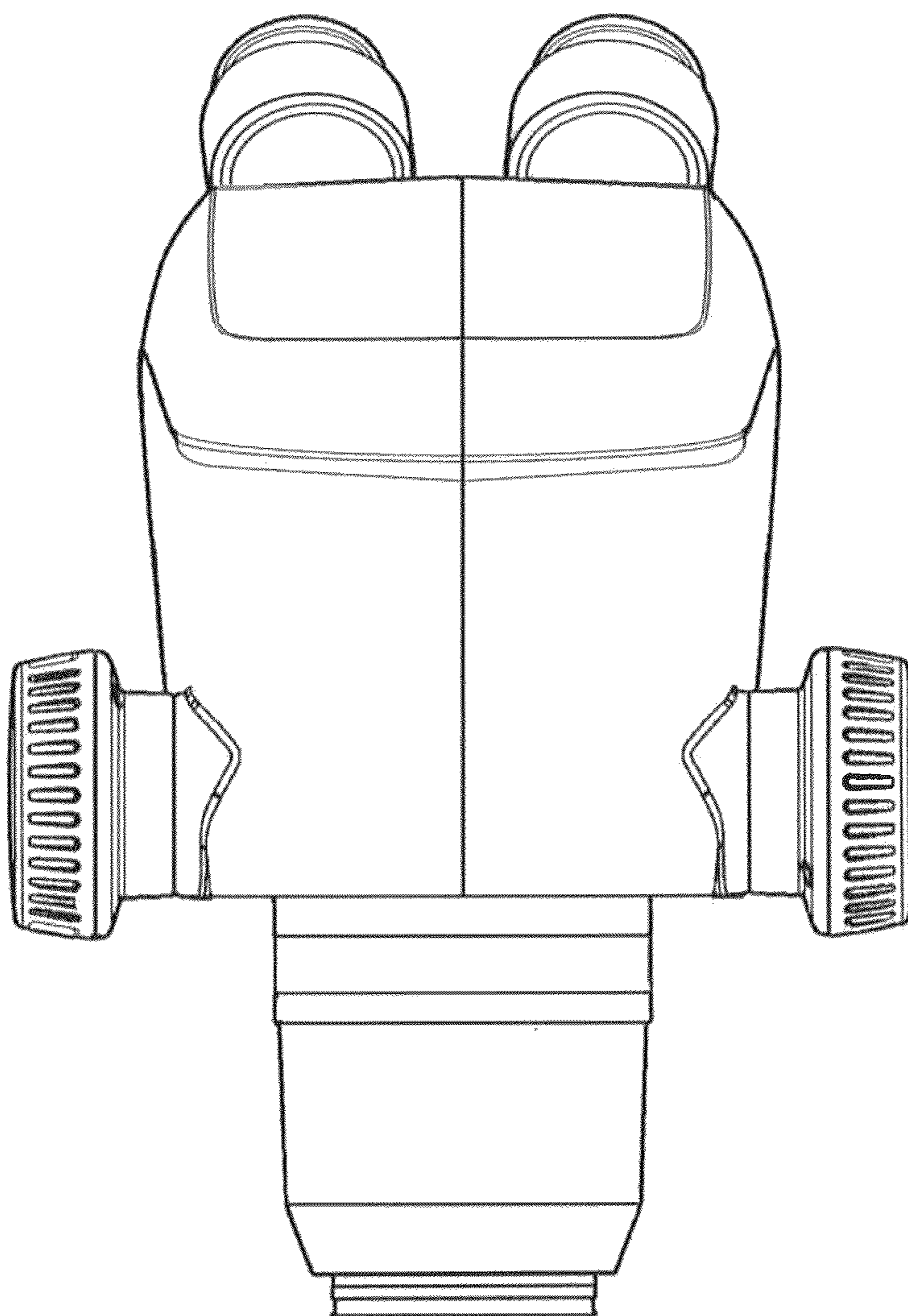
***FIG. 2***



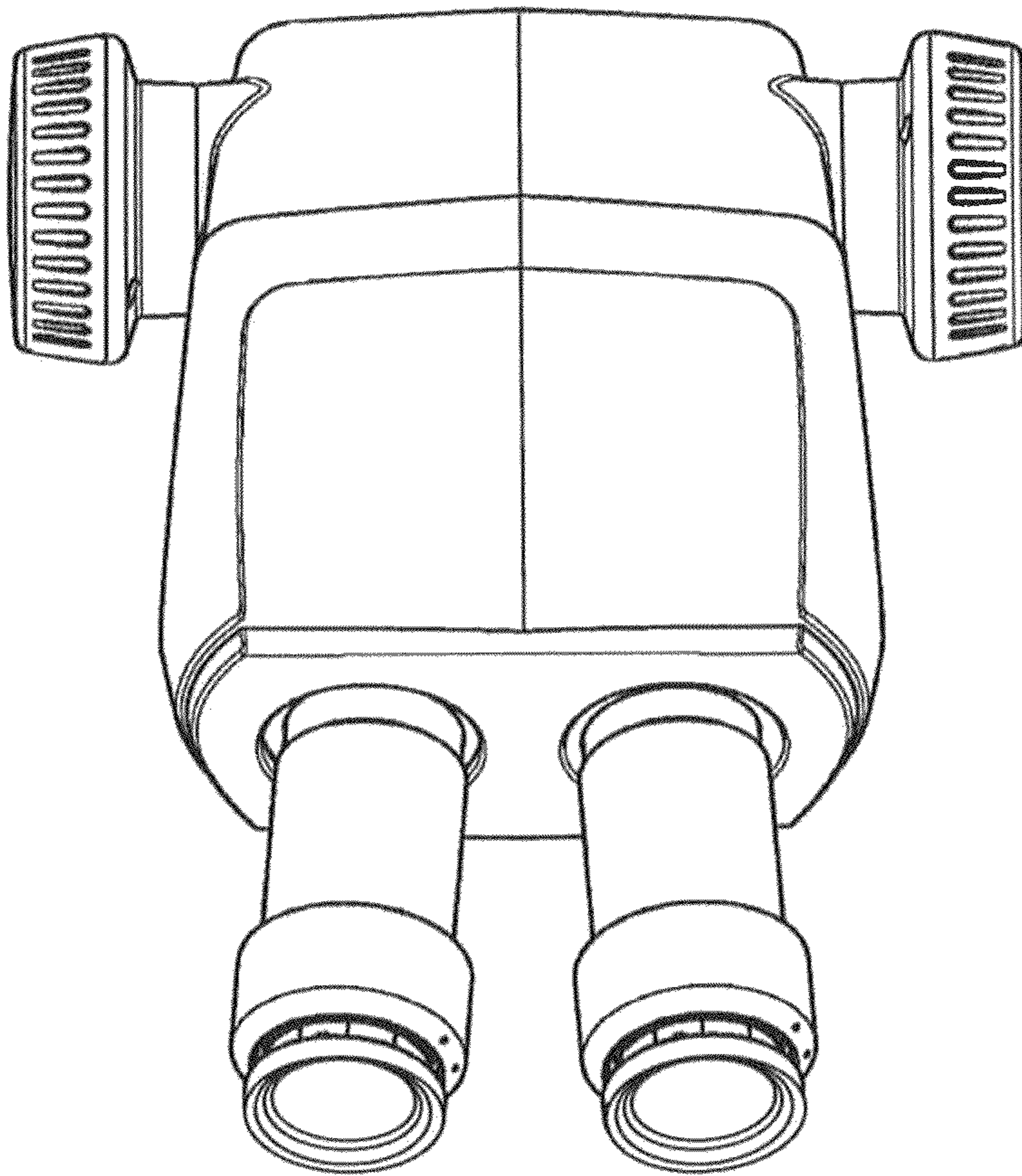
**FIG. 3**



**FIG. 4**



**FIG. 5**



**FIG. 6**