



US00D734797S

(12) **United States Design Patent**
Hofmann et al.

(10) **Patent No.:** **US D734,797 S**
(45) **Date of Patent:** **** Jul. 21, 2015**

(54) **MICROSCOPE VIEWING HEAD**
(71) Applicant: **Carl Zeiss Microscopy GmbH**, Jena (DE)
(72) Inventors: **Kerstin Hofmann**, Goettingen (DE); **Axel Laschke**, Waake (DE); **Ilka Schlesiger**, Jena (DE); **Michael Winterot**, Jena (DE); **Martin Stohr**, Jena (DE)
(73) Assignee: **Carl Zeiss Microscopy GmbH**, Jena (DE)

(**) Term: **14 Years**
(21) Appl. No.: **29/494,807**
(22) Filed: **Jun. 24, 2014**

(30) **Foreign Application Priority Data**
Apr. 3, 2014 (EM) 002439794
(51) **LOC (10) Cl.** **06-06**
(52) **U.S. Cl.**
USPC **D16/131**
(58) **Field of Classification Search**
USPC D16/131; 359/361, 368, 375, 376, 377, 359/378, 379, 380, 381, 382, 383, 384, 385, 359/387, 388, 389, 390, 393
See application file for complete search history.

(56) **References Cited**
U.S. PATENT DOCUMENTS
D182,097 S * 2/1958 Armbruster D16/131
2,967,456 A * 1/1961 Maier 396/326
D367,869 S * 3/1996 Hofmann-Igl et al. D16/131

D520,542 S * 5/2006 Suzuki et al. D16/131
D523,046 S * 6/2006 Suzuki et al. D16/131
D546,355 S * 7/2007 Apotheloz D16/131
D601,178 S * 9/2009 Apotheloz D16/131
D607,031 S * 12/2009 Hoelbl D16/131
2007/0127116 A1 * 6/2007 Dietrich et al. 359/383
2007/0153372 A1 * 7/2007 Mazel 359/385

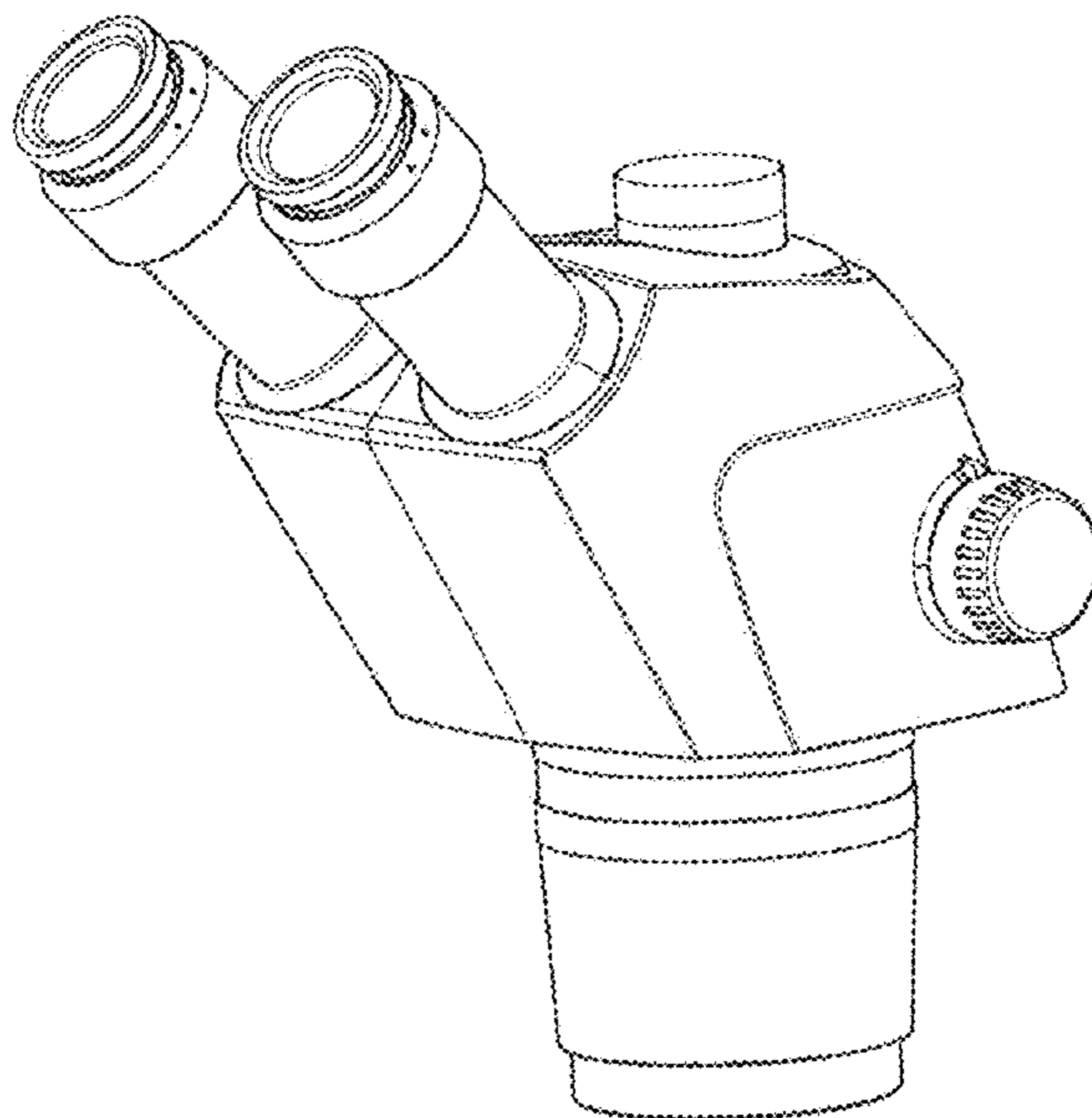
OTHER PUBLICATIONS
Brochure of Stemi DR, Stemi DV4 and Stemi 2000 Stereomicroscopes, 30 pages, published by Carl Zeiss Microscopy GmbH, Jena, Germany.
Brochure of Stemi 2000 Stereomicroscopes, 6 pages, published by Carl Zeiss Microscopy GmbH, Jena, Germany.

* cited by examiner
Primary Examiner — Derrick Holland
Assistant Examiner — Lauren Calve
(74) *Attorney, Agent, or Firm* — Christensen Fonder P.A.

(57) **CLAIM**
We claim the ornamental design for a microscope viewing head, as shown and described.

DESCRIPTION
FIG. 1 is a rear perspective view of a microscope viewing head.
FIG. 2 is a left side elevational view thereof.
FIG. 3 is a right side elevational view thereof.
FIG. 4 is a rear elevational view thereof.
FIG. 5 is a front elevational view thereof; and,
FIG. 6 is a top plan view thereof.
The bottom side of the microscope viewing head forms no part of the claimed design.

1 Claim, 6 Drawing Sheets



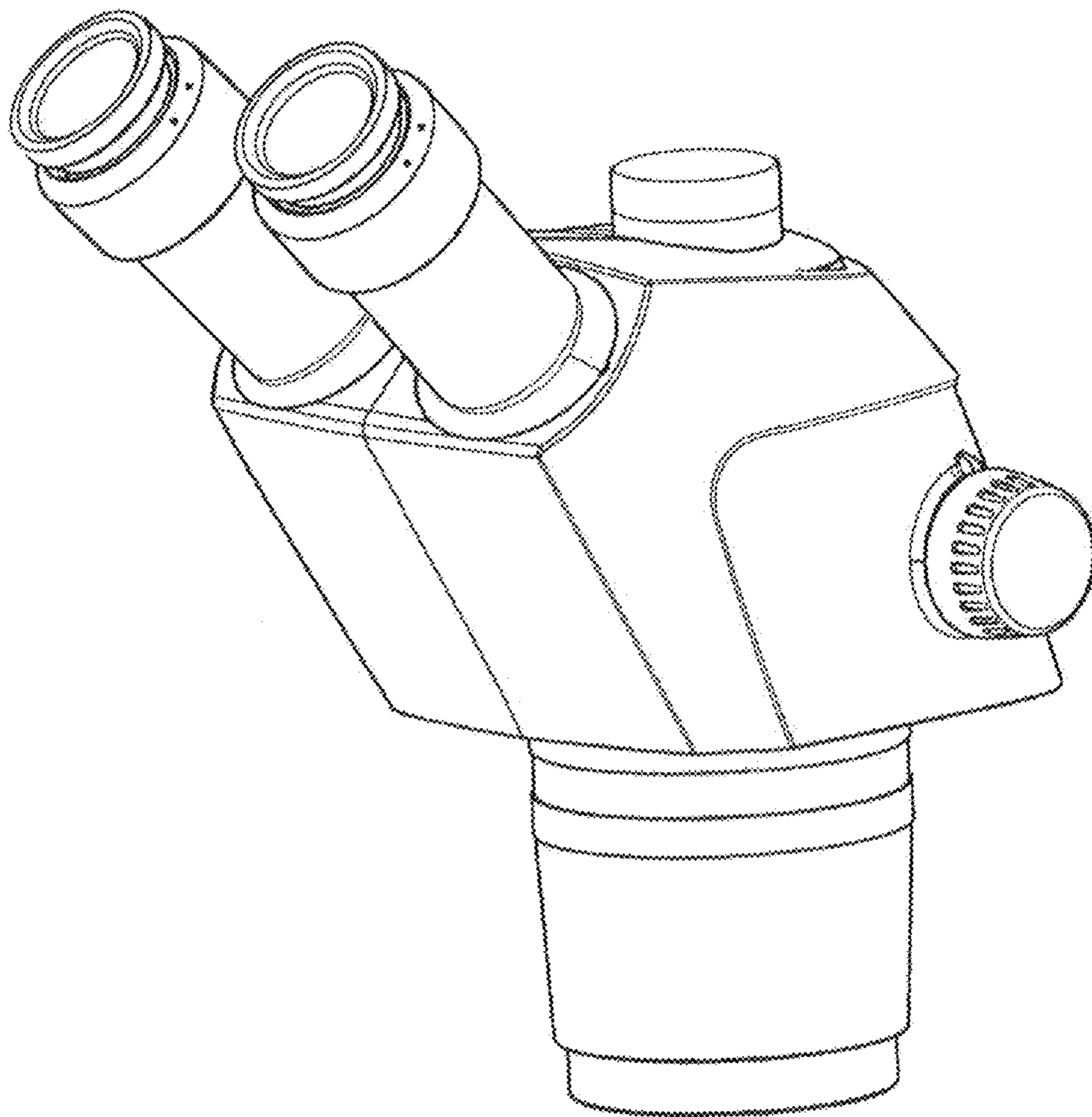


FIG. 1

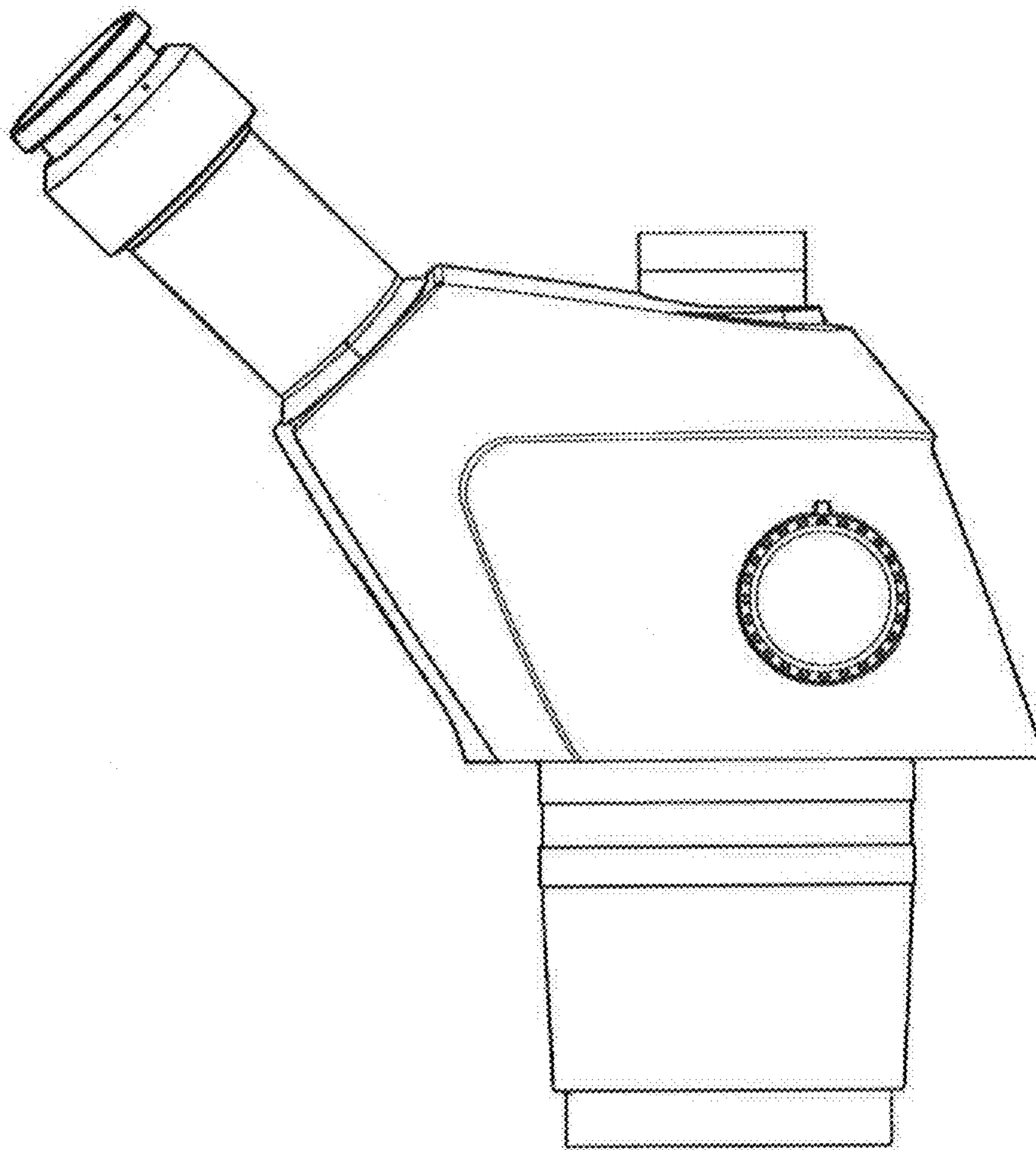


FIG. 2

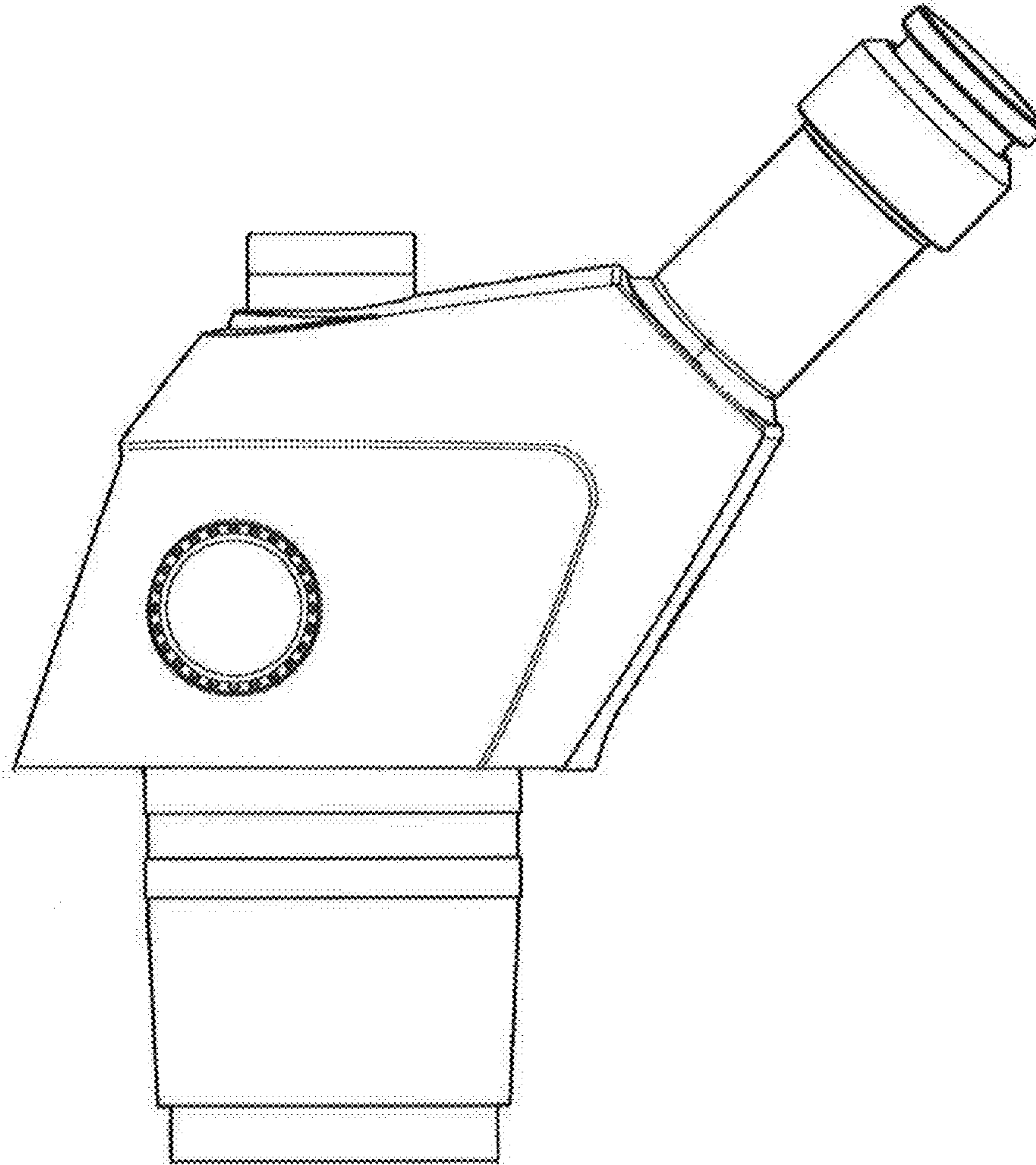


FIG. 3

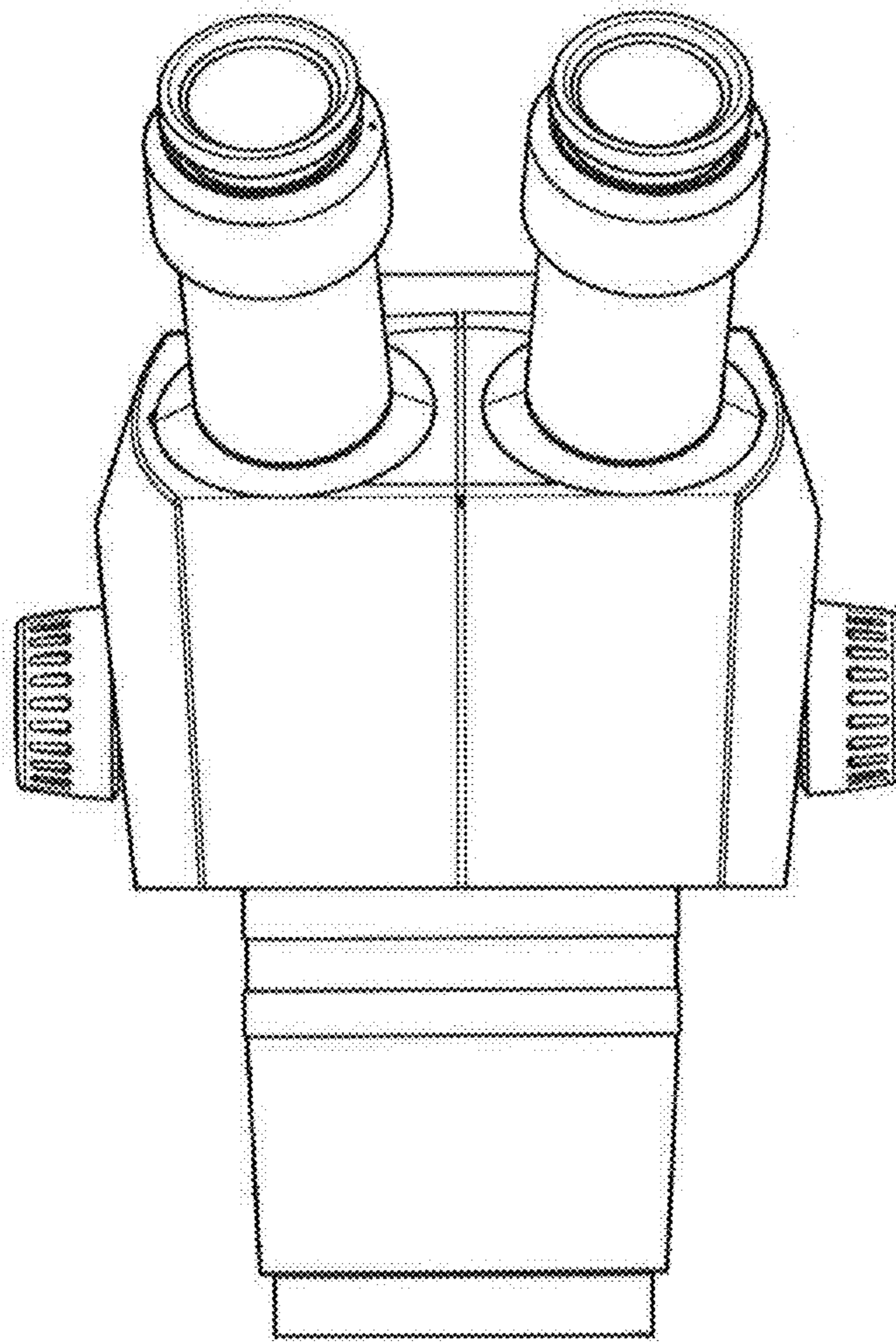


FIG. 4

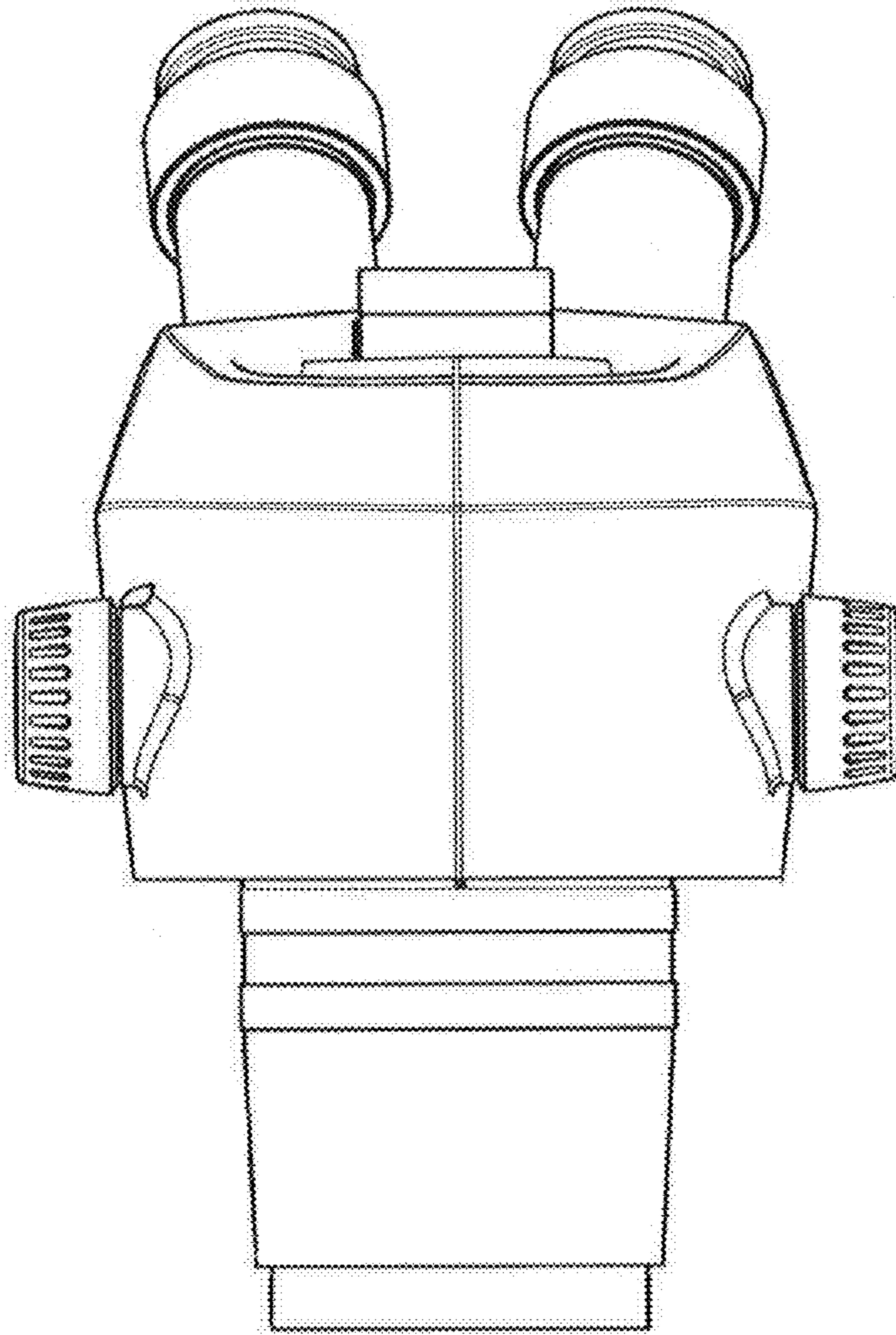


FIG. 5

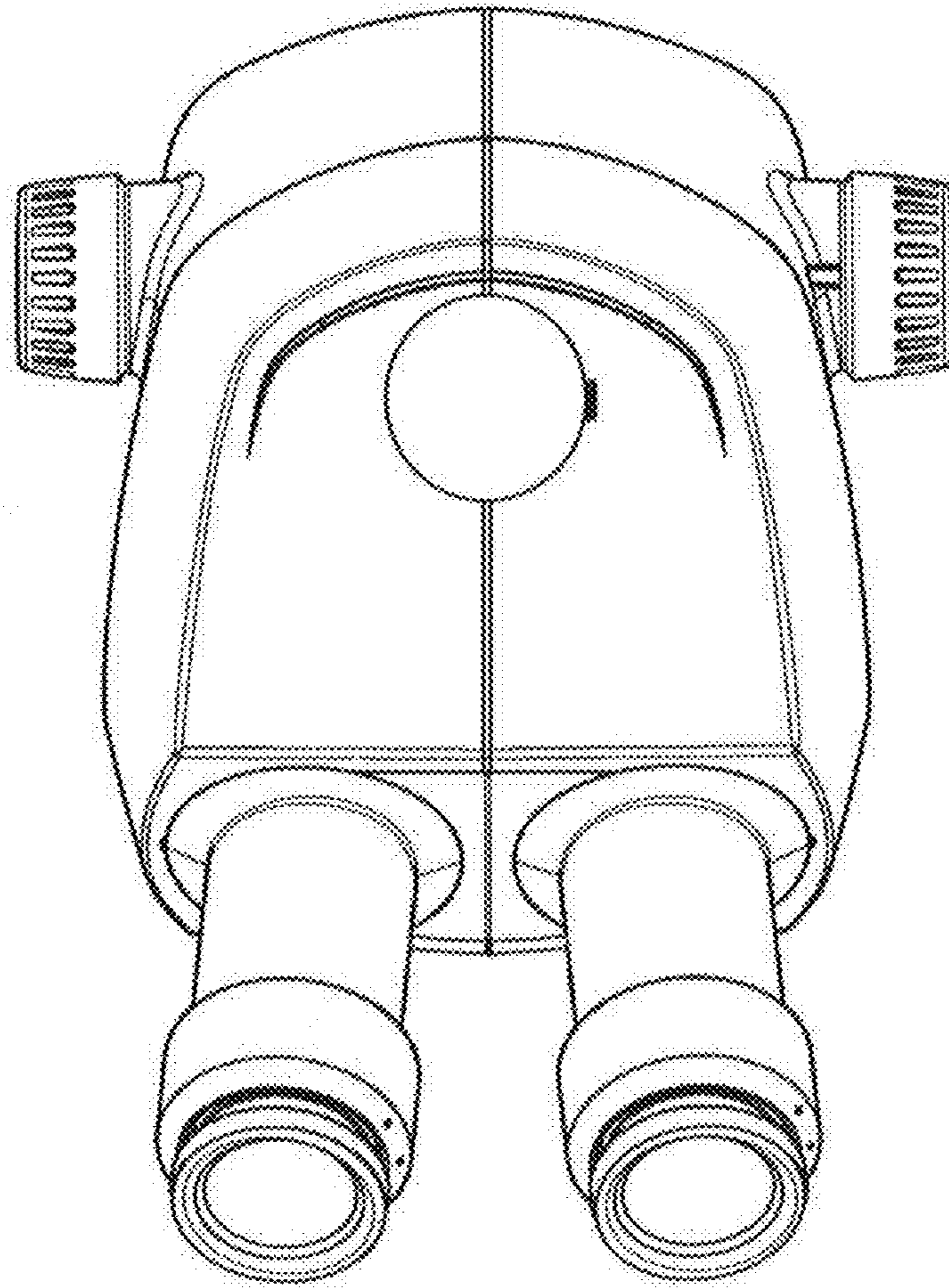


FIG. 6