



US00D734796S

(12) **United States Design Patent**
Hofmann et al.

(10) **Patent No.:** **US D734,796 S**
(45) **Date of Patent:** **** Jul. 21, 2015**

- (54) **MICROSCOPE VIEWING HEAD**
- (71) Applicant: **Carl Zeiss Microscopy GmbH**, Jena (DE)
- (72) Inventors: **Kerstin Hofmann**, Goettingen (DE); **Axel Laschke**, Waake (DE); **Ilka Schlesiger**, Jena (DE); **Michael Winterot**, Jena (DE); **Martin Stohr**, Jena (DE)
- (73) Assignee: **Carl Zeiss Microscopy GmbH**, Jena (DE)
- (**) Term: **14 Years**
- (21) Appl. No.: **29/494,795**
- (22) Filed: **Jun. 24, 2014**
- (30) **Foreign Application Priority Data**

Apr. 3, 2014 (EM) 002439794

- (51) **LOC (10) Cl.** **06-06**
- (52) **U.S. Cl.**
USPC **D16/131**
- (58) **Field of Classification Search**
USPC D16/131; 359/361, 368, 375, 376, 377, 359/378, 379, 380, 381, 382, 383, 384, 385, 359/387, 388, 389, 390, 393
See application file for complete search history.

(56) **References Cited**

U.S. PATENT DOCUMENTS

D184,487	S	*	2/1959	Maier	D16/131
2,967,456	A	*	1/1961	Maier	396/326
D355,430	S	*	2/1995	Hofmann-Igl	D16/131
D367,869	S	*	3/1996	Hofmann-Igl et al.	D16/131

D460,772	S	*	7/2002	Apotheloz	D16/131
D461,201	S	*	8/2002	Apotheloz	D16/131
D502,194	S	*	2/2005	Suzuki et al.	D16/131
D520,542	S	*	5/2006	Suzuki et al.	D16/131
D546,355	S	*	7/2007	Apotheloz	D16/131
D607,030	S	*	12/2009	Hoelbl	D16/131
2001/0048551	A1	*	12/2001	Sakamoto	359/381
2007/0127116	A1	*	6/2007	Dietrich et al.	359/383

OTHER PUBLICATIONS

Brochure of Stemi DR, Stemi DV4 and Stemi 2000 Stereomicroscopes, 30 pages, published by Carl Zeiss Microscopy GmbH, Jena, Germany, Date: Before Jun. 24, 2014.
 Brochure of Stemi 2000 Stereomicroscopes, 6 pages, published Carl Zeiss Microscopy GmbH, Jena, Germany, Date: Before Jun. 24, 2014.

* cited by examiner

Primary Examiner — Derrick Holland

Assistant Examiner — Lauren Calve

(74) *Attorney, Agent, or Firm* — Christensen Fonder P.A.

(57) **CLAIM**

We claim the ornamental design for a microscope viewing head, as shown and described.

DESCRIPTION

FIG. 1 is a rear perspective view of a microscope viewing head.

FIG. 2 is a left side elevational view thereof.

FIG. 3 is a right side elevational view thereof.

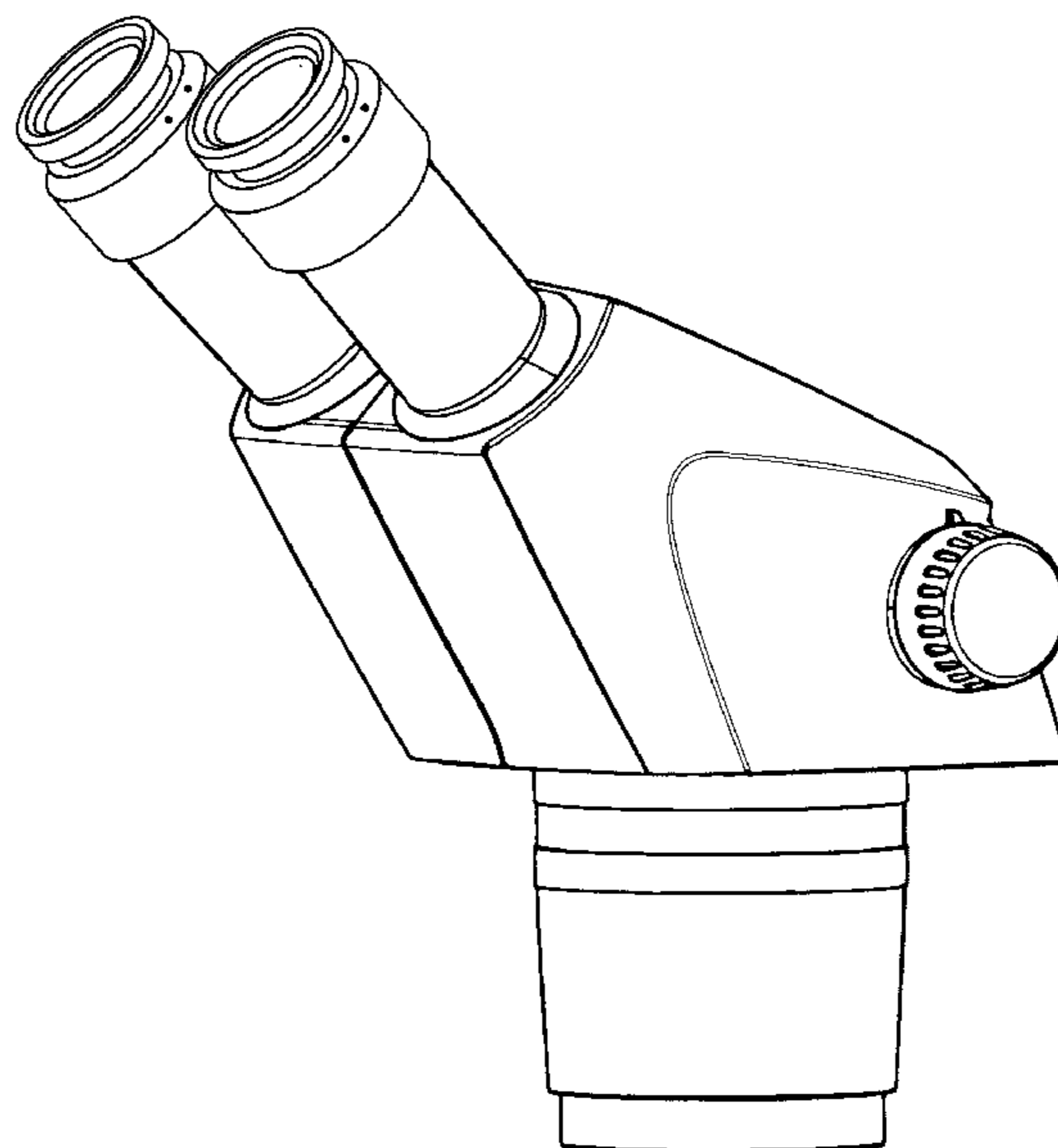
FIG. 4 is a rear elevational view thereof.

FIG. 5 is a front elevational view thereof; and,

FIG. 6 is a top plan view thereof.

The bottom side of the microscope viewing head forms no part of the claimed design.

1 Claim, 6 Drawing Sheets



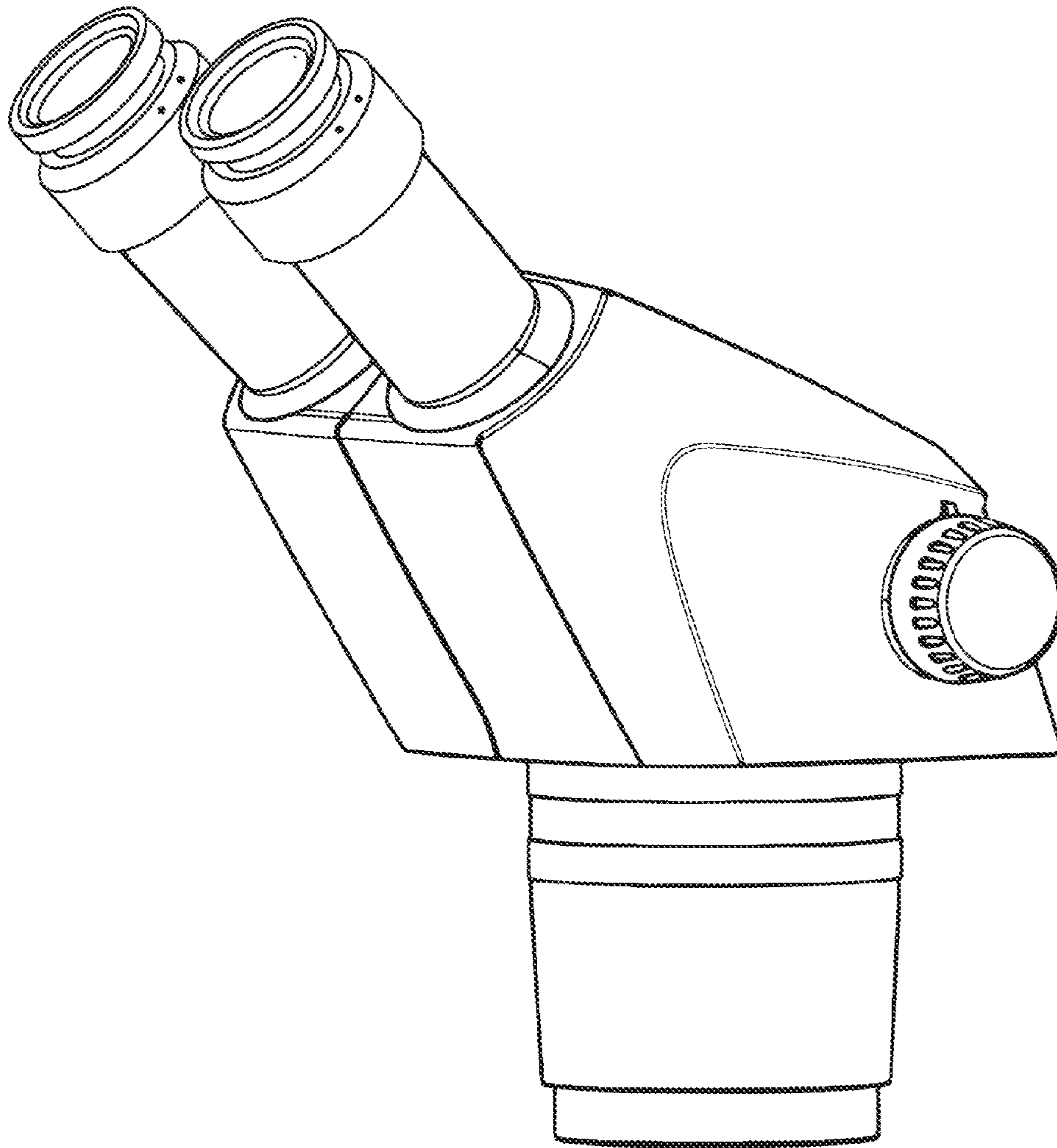


FIG. 1

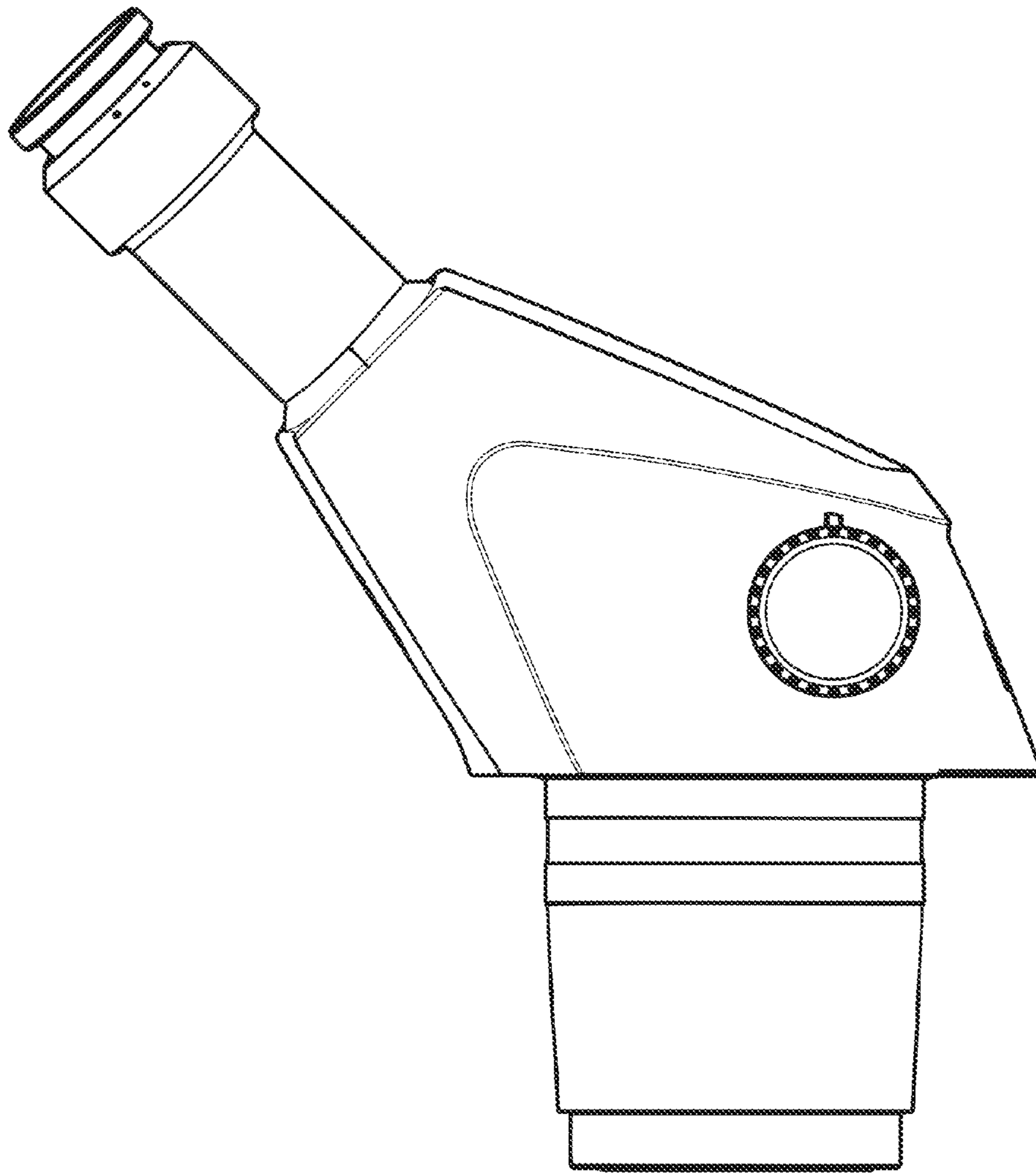


FIG. 2

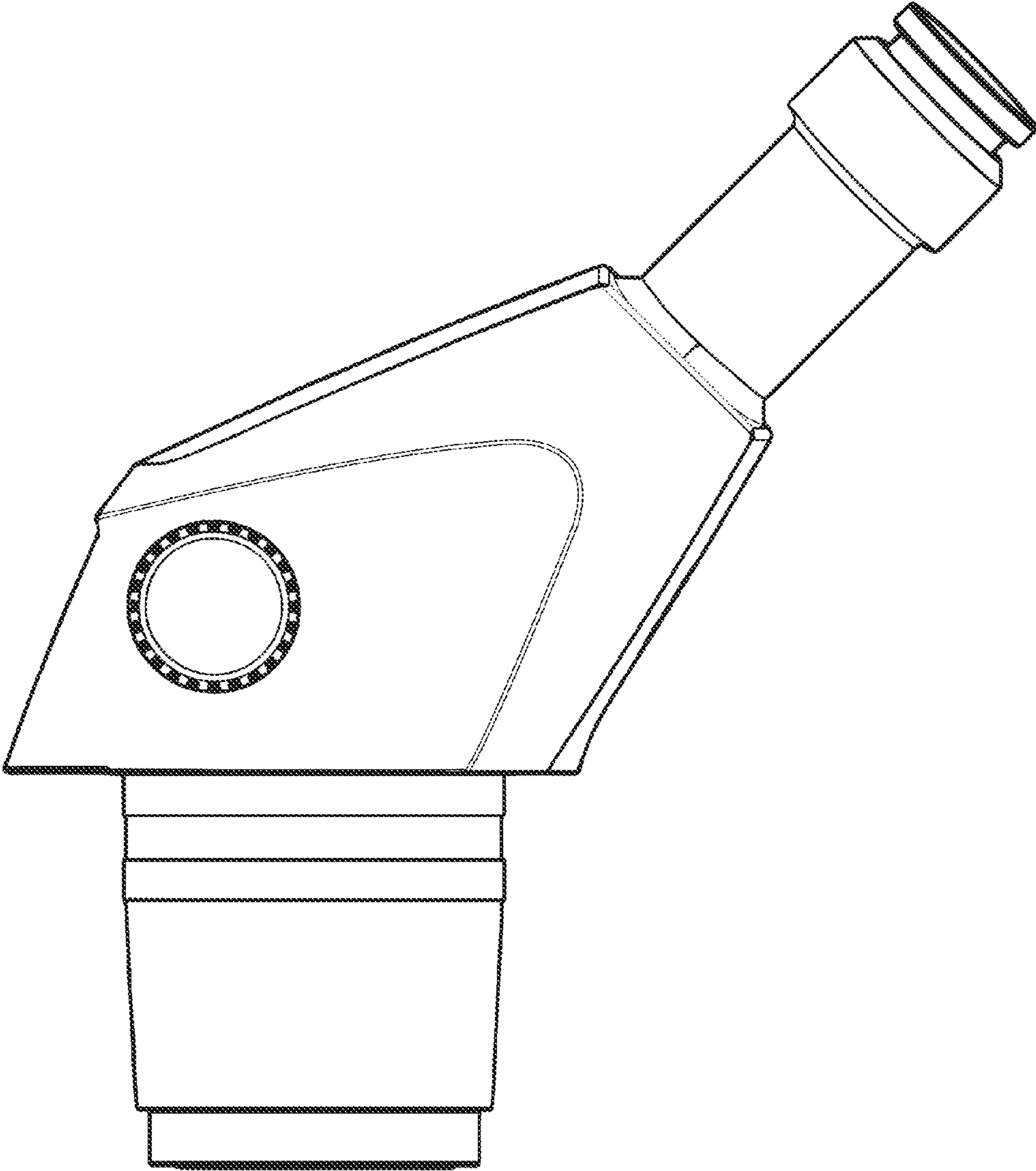


FIG. 3

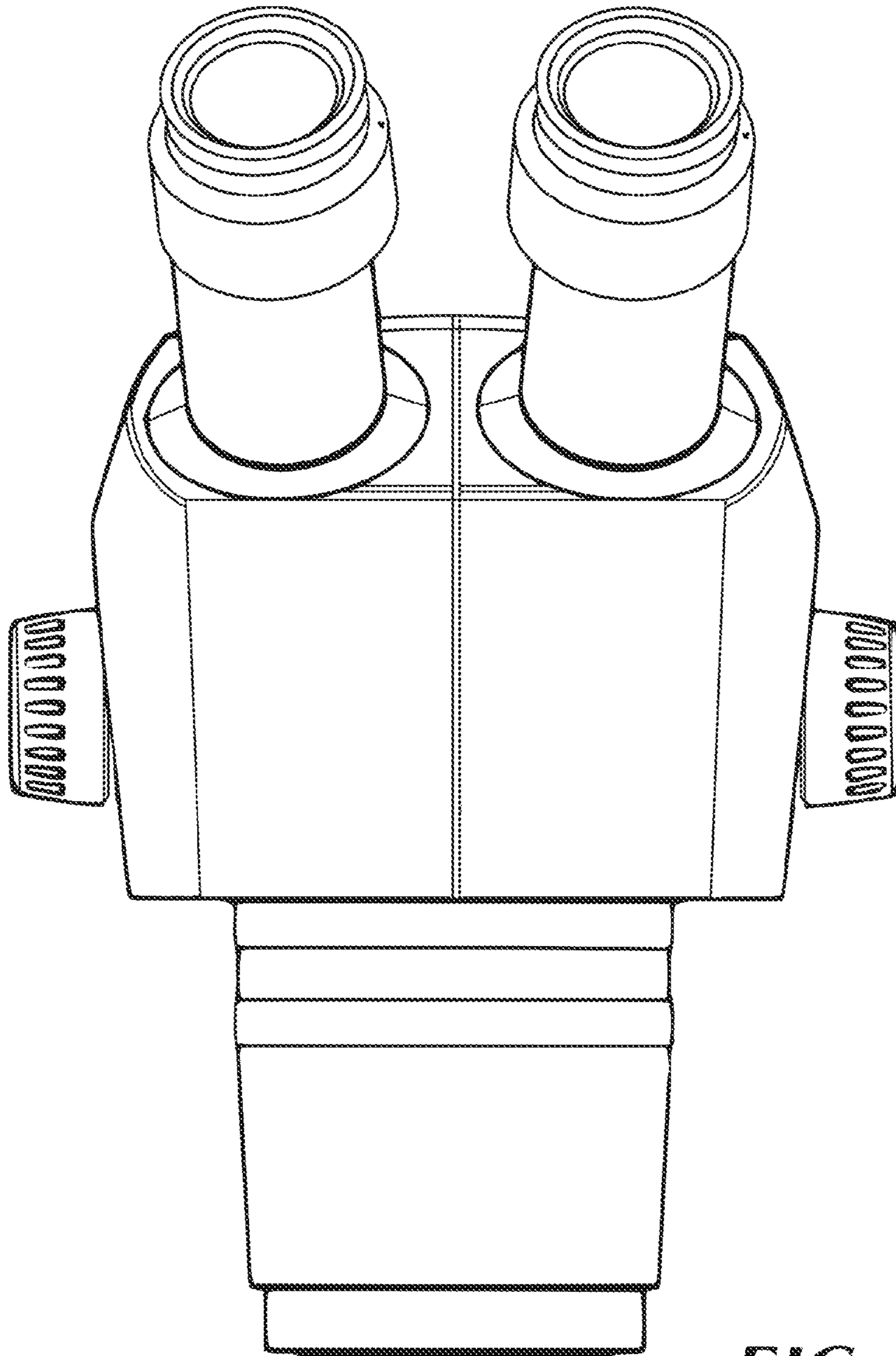


FIG. 4

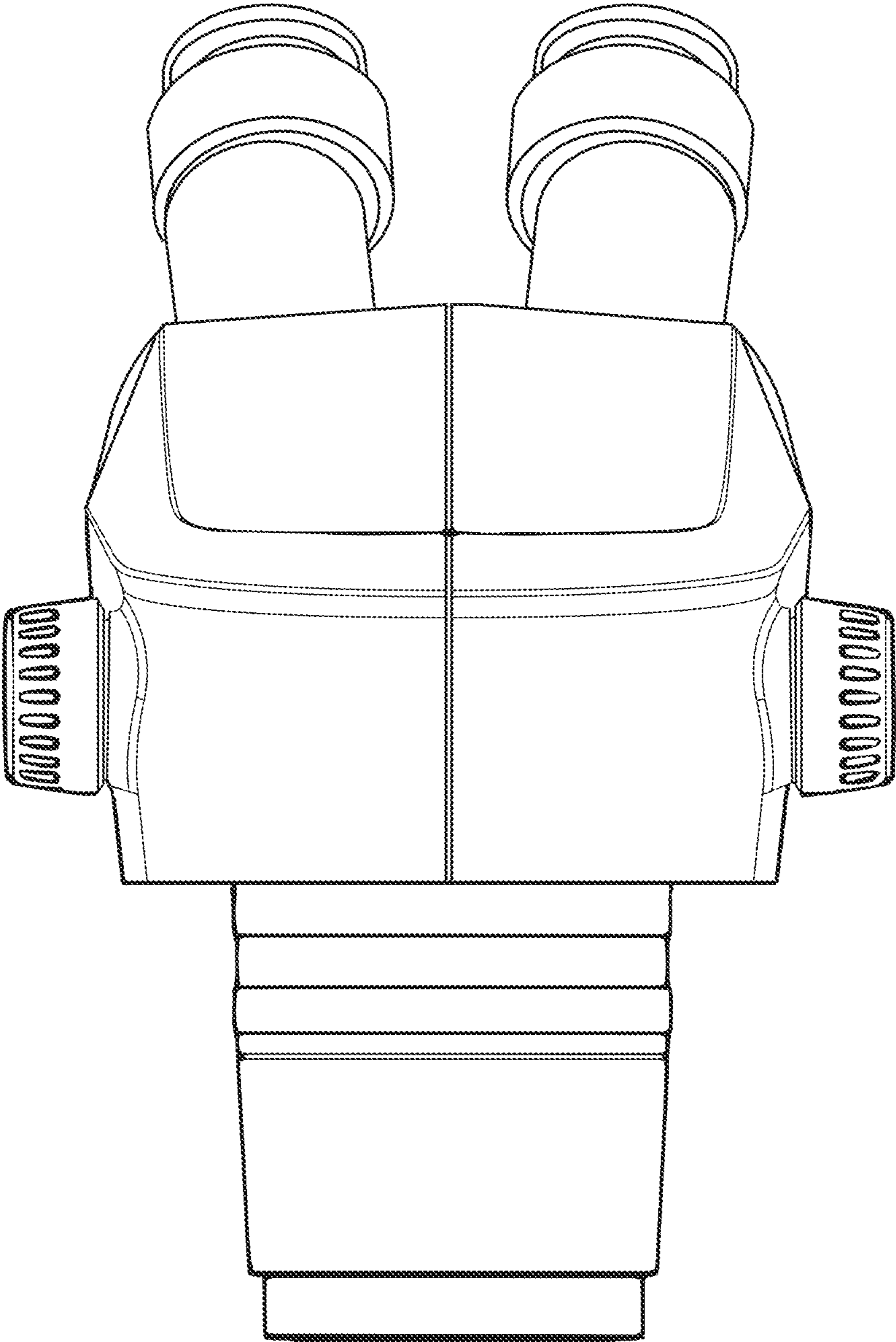


FIG. 5

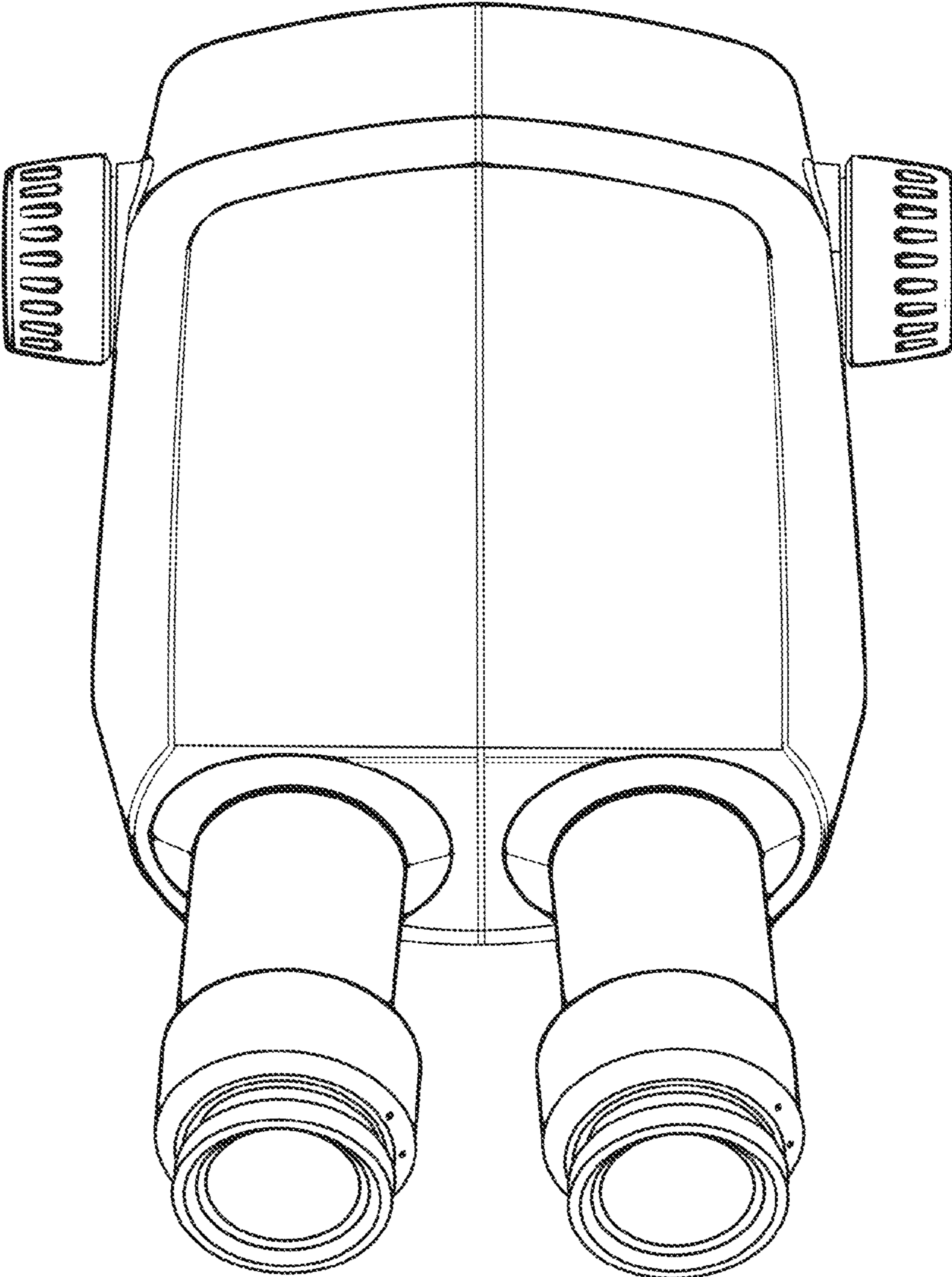


FIG. 6