



US00D734795S

(12) **United States Design Patent**
Hoeffler et al.

(10) **Patent No.:** **US D734,795 S**
(45) **Date of Patent:** **** Jul. 21, 2015**

- (54) **FLUID DRAIN DEVICE**
- (71) Applicants: **Robert Frederick Hoeffler**, Waxhaw, NC (US); **David Mark Allen**, St. Louis, MO (US)
- (72) Inventors: **Robert Frederick Hoeffler**, Waxhaw, NC (US); **David Mark Allen**, St. Louis, MO (US)
- (73) Assignee: **LINCOLN INDUSTRIAL CORPORATION**, St. Louis, MO (US)

D365,583	S	*	12/1995	Viken	D15/151
5,494,191	A	*	2/1996	Benson	222/23
D395,439	S	*	6/1998	King et al.	D15/150
D417,879	S	*	12/1999	Few	D15/151
6,126,142	A	*	10/2000	Wolf et al.	251/354
D477,620	S	*	7/2003	Few	D15/151
D478,107	S	*	8/2003	Few	D15/151
D497,624	S	*	10/2004	Few	D15/151
D504,449	S	*	4/2005	Butchko	D15/151
D654,522	S	*	2/2012	Zhang	D15/152
D669,924	S	*	10/2012	Lombardo et al.	D15/150
2004/0089371	A1	*	5/2004	Few	141/98
2005/0126271	A1	*	6/2005	Gorski et al.	73/118.1

* cited by examiner

(**) Term: **14 Years**

Primary Examiner — Patricia Palasik

(21) Appl. No.: **29/473,408**

(74) *Attorney, Agent, or Firm* — Mark A. Ussai; SKF USA Inc. Patent Department

(22) Filed: **Nov. 21, 2013**

(51) **LOC (10) Cl.** **15-09**

(52) **U.S. Cl.**
USPC **D15/152**

(58) **Field of Classification Search**
USPC D15/150, 151, 152; D34/12, 17, 18, 28;
141/86, 88, 98, 231, 375, 391;
184/106, 511
See application file for complete search history.

(56) **References Cited**

U.S. PATENT DOCUMENTS

D224,043	S	*	6/1972	Billos	D15/152
D248,236	S	*	6/1978	Senese	D15/150

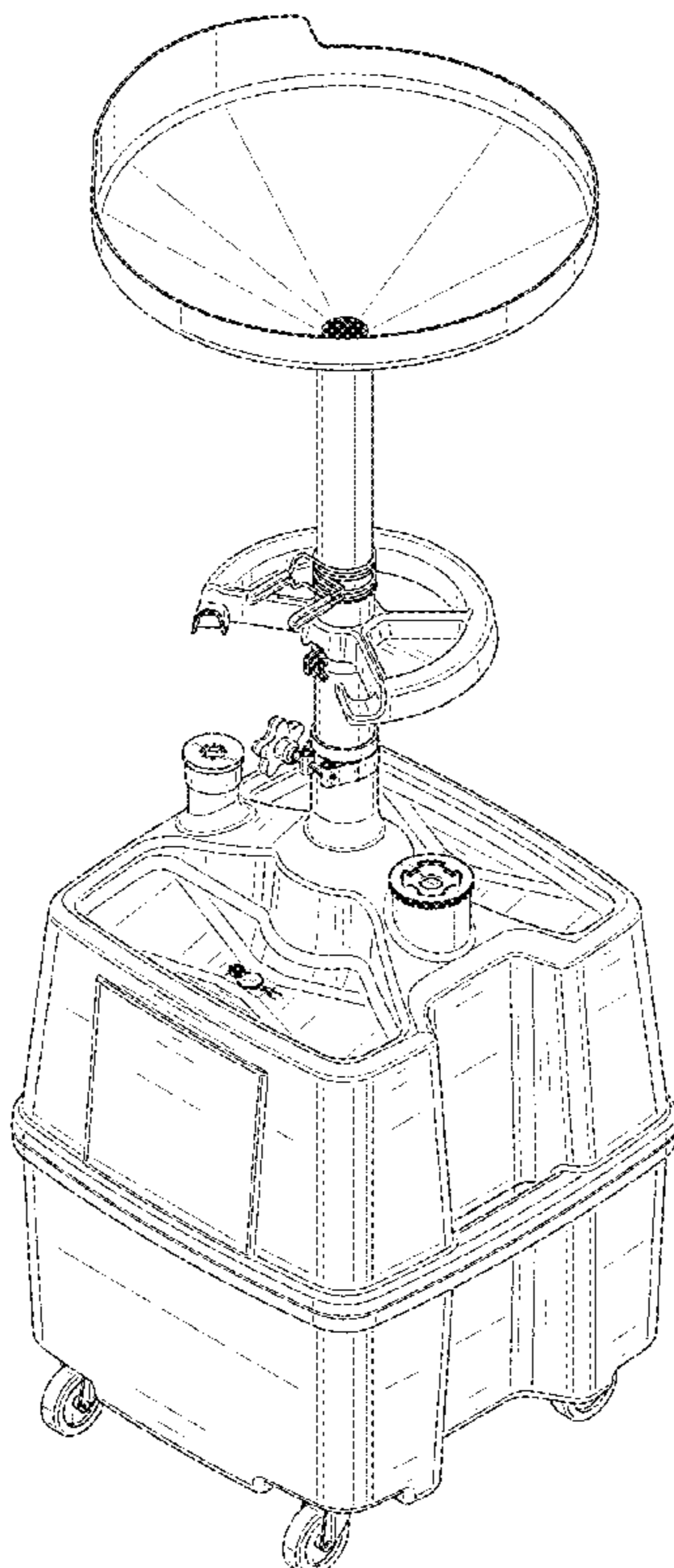
(57) **CLAIM**

We claim the ornamental design for a fluid drain device, as shown.

DESCRIPTION

FIG. 1 is a perspective view of a fluid drain device showing our new design;
FIG. 2 is a front elevational view thereof;
FIG. 3 is a rear elevational view thereof;
FIG. 4 is a left side elevational view thereof;
FIG. 5 is a right side elevational view thereof; and,
FIG. 6 is a top plan view thereof.

1 Claim, 6 Drawing Sheets



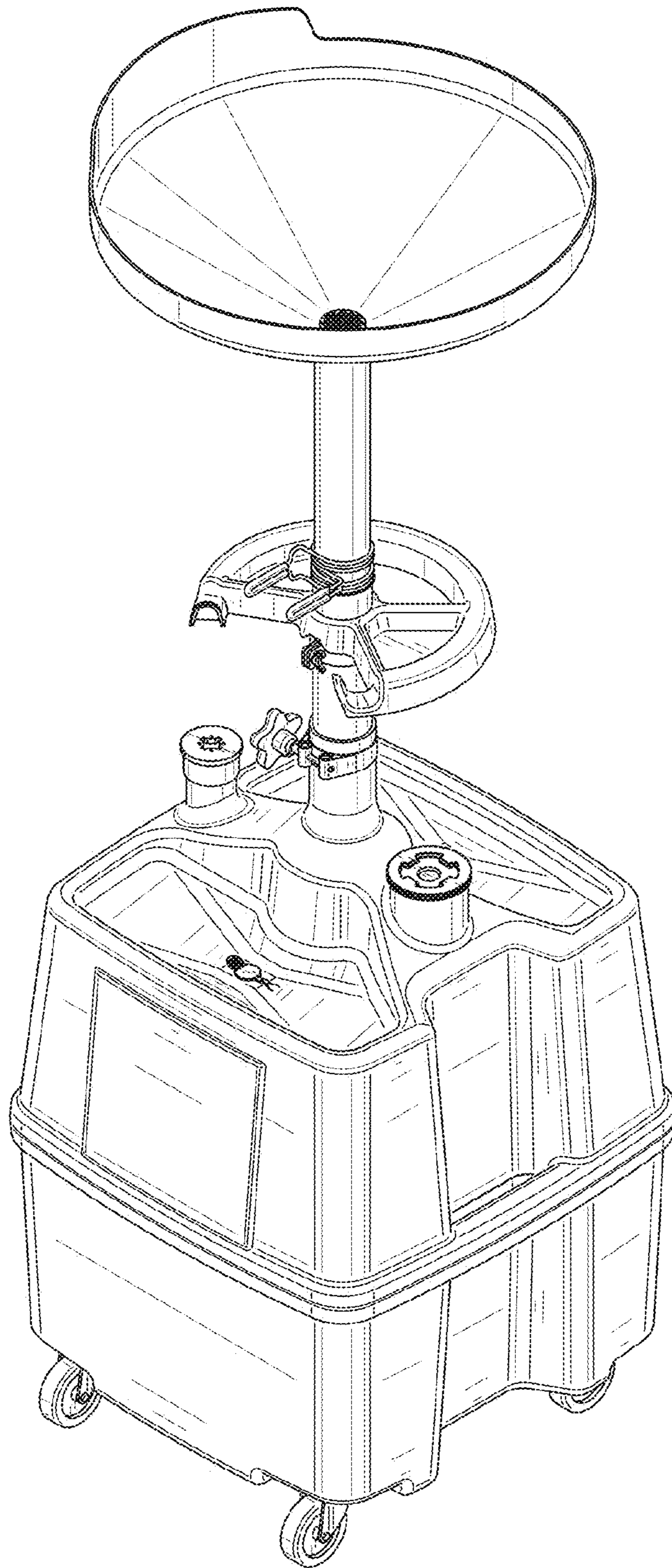


FIG. 1

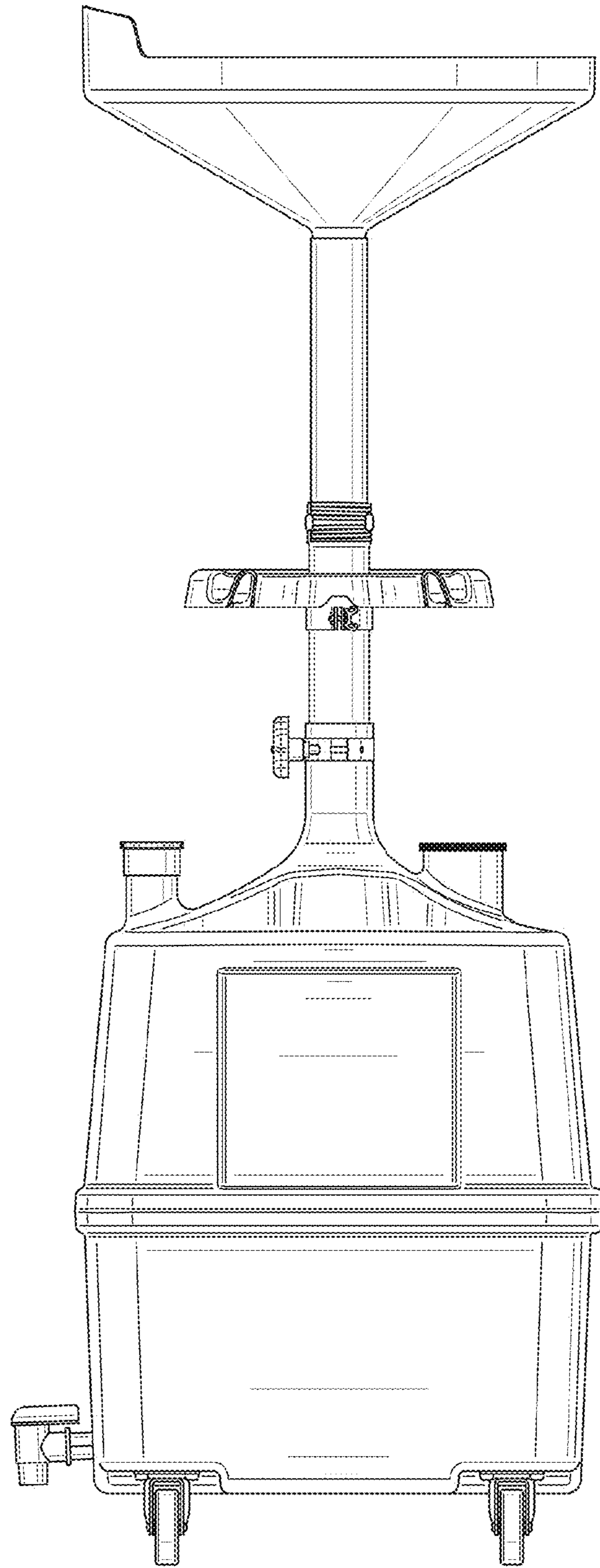


FIG. 2

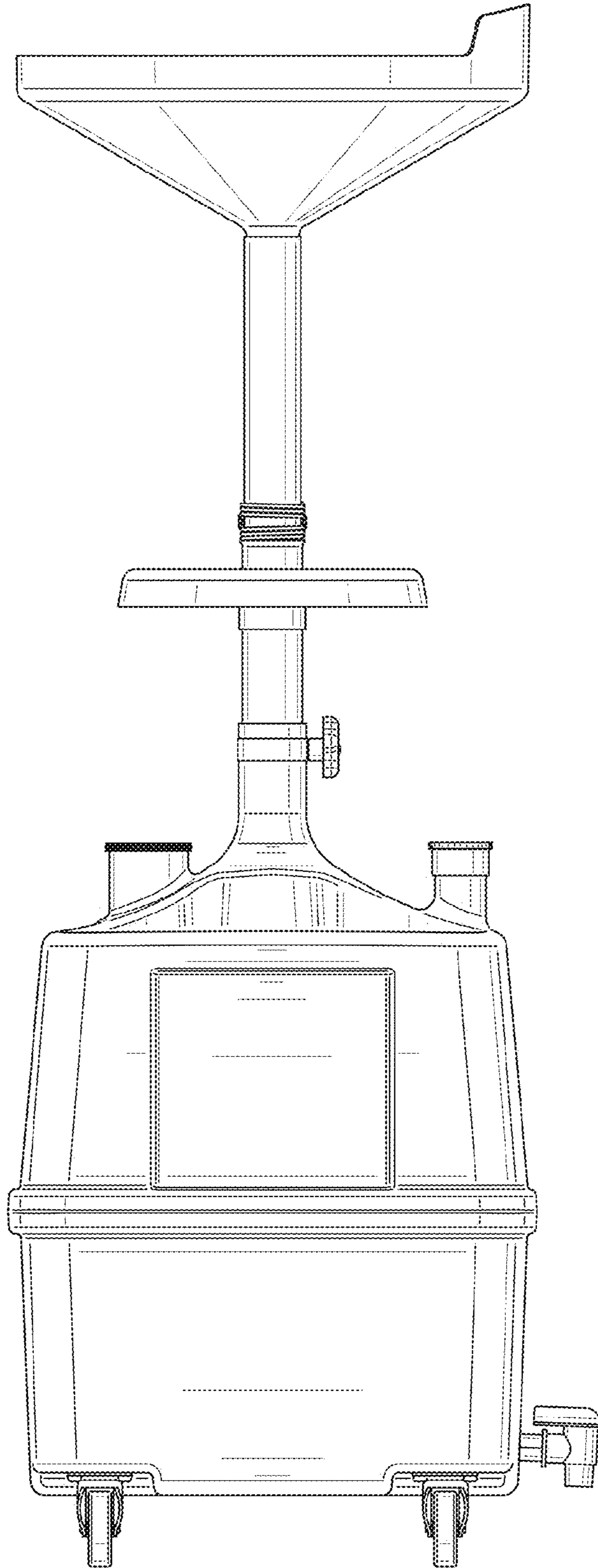


FIG. 3

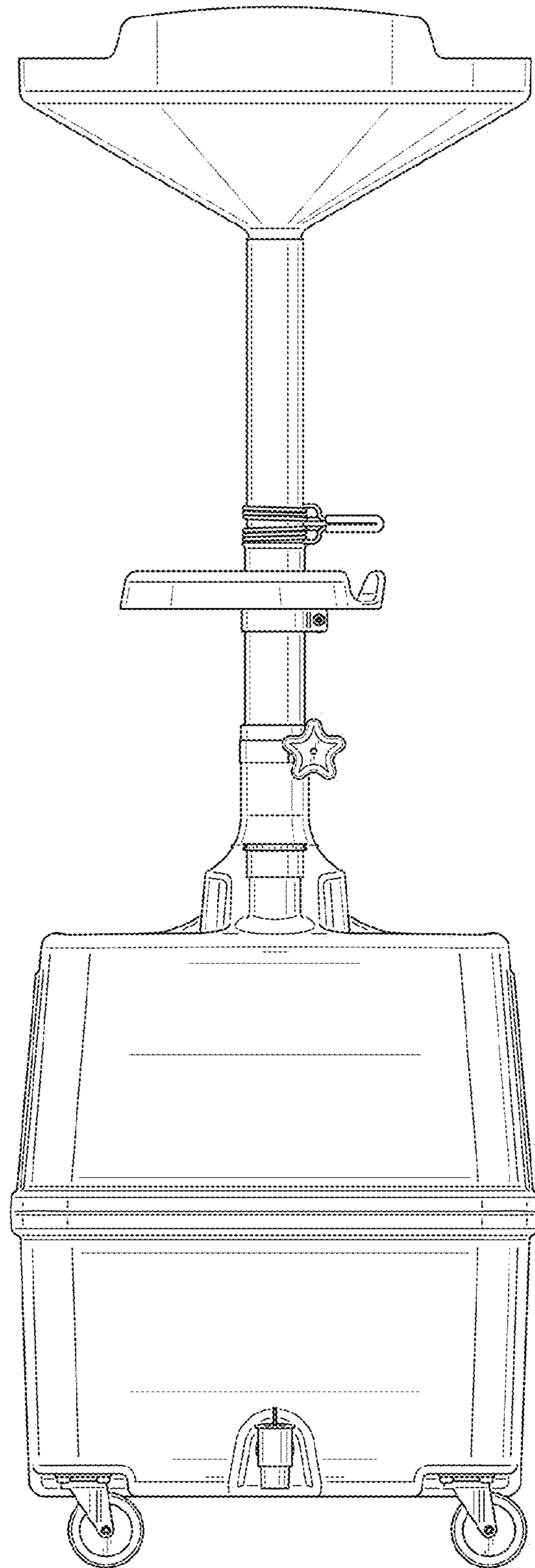


FIG. 4

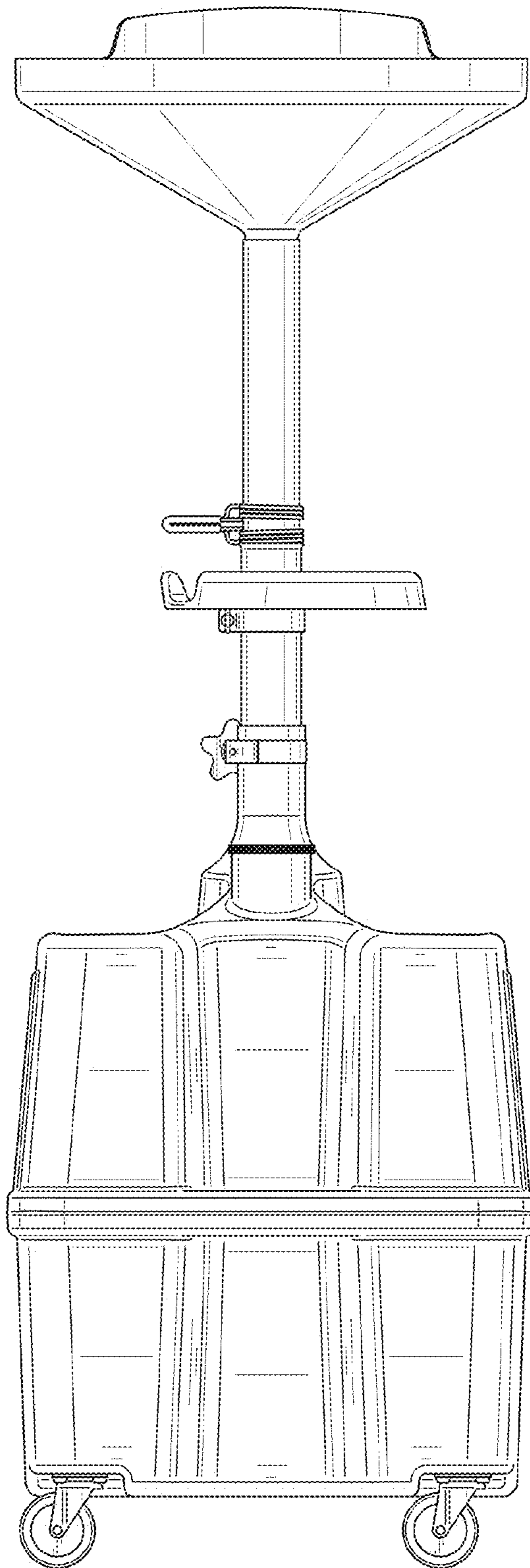


FIG. 5

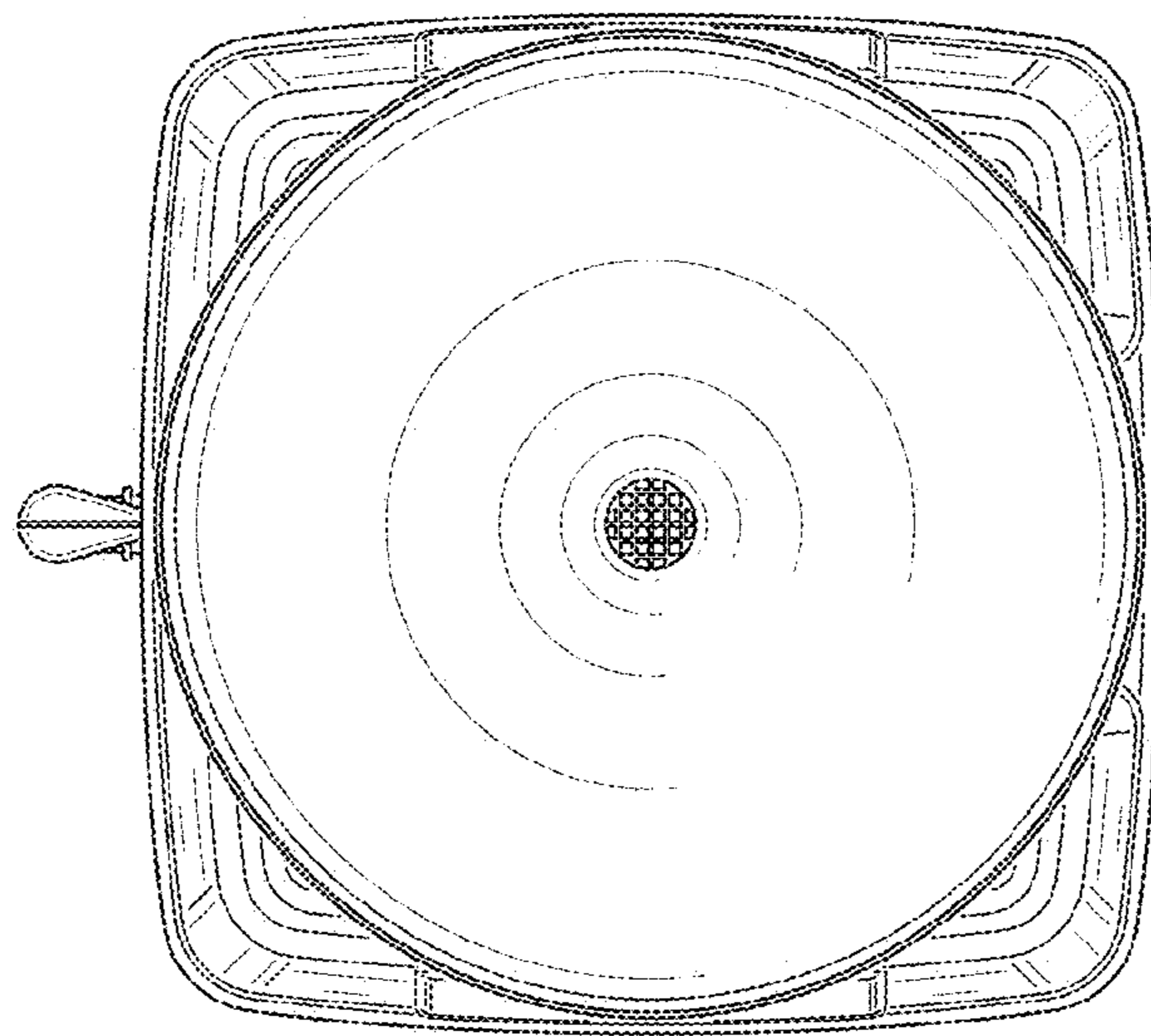


FIG. 6