



US00D734794S

(12) **United States Design Patent**
Doran

(10) **Patent No.:** **US D734,794 S**
(45) **Date of Patent:** **** Jul. 21, 2015**

(54) **LUBRICATION SHIELD FOR DIRECTING THE APPLICATION AND DISPERSEMENT OF LUBRICANTS, CLEANERS AND DRESSINGS TO CHAINS, CABLES, ROPES AND LINES**

(71) Applicant: **Patrick Ryan Doran**, Lynnwood, WA (US)

(72) Inventor: **Patrick Ryan Doran**, Lynnwood, WA (US)

(**) Term: **14 Years**

(21) Appl. No.: **29/464,619**

(22) Filed: **Aug. 19, 2013**

(51) **LOC (10) Cl.** **15-99**

(52) **U.S. Cl.**
USPC **D15/150**

(58) **Field of Classification Search**
USPC 150/150, 151, 152
See application file for complete search history.

(56) **References Cited**

U.S. PATENT DOCUMENTS

D53,406 S *	6/1919	Brown	D15/150
D290,965 S *	7/1987	Satalof et al.	D17/13
D322,615 S *	12/1991	Zacharias	D15/144
D341,366 S *	11/1993	Tricarico et al.	D15/150
D363,077 S *	10/1995	Calvert	D15/150
D367,067 S *	2/1996	Speer	D15/150
D400,211 S *	10/1998	Thallemer et al.	D15/7
D409,634 S *	5/1999	Byerly et al.	D15/144.1
D412,176 S *	7/1999	Larson	D15/150
D427,616 S *	7/2000	Lindstrand	D15/150
D433,429 S *	11/2000	Groetsch	D15/150

D478,604 S *	8/2003	Conrad et al.	D15/150
D486,840 S *	2/2004	Beer et al.	D15/150
D500,065 S *	12/2004	Frank	D15/150
7,267,881 B2 *	9/2007	Weberg et al.	428/447
7,299,756 B2 *	11/2007	Gnedenko et al.	110/250
D641,385 S *	7/2011	Armstrong	D15/150
D650,403 S *	12/2011	Yamase et al.	D15/150
D660,892 S *	5/2012	Tomlinson et al.	D15/152
D697,539 S *	1/2014	Ernst	D15/150
D699,772 S *	2/2014	Kile	D15/150

* cited by examiner

Primary Examiner — Patricia Palasik

(74) *Attorney, Agent, or Firm* — Paul B. Heynssens Attorney at Law PLC

(57) **CLAIM**

The ornamental design for a lubrication shield for directing the application and dispersement of lubricants, cleaners and dressings to chains, cables, ropes and lines, as shown.

DESCRIPTION

FIG. 1 is a front perspective view of a lubrication shield for directing the application and dispersement of lubricants, cleaners and dressings to chains, cables, ropes and lines showing my new design;

FIG. 2 is a rear perspective view thereof;

FIG. 3 is a top view thereof;

FIG. 4 is a front view thereof;

FIG. 5 is a bottom view thereof;

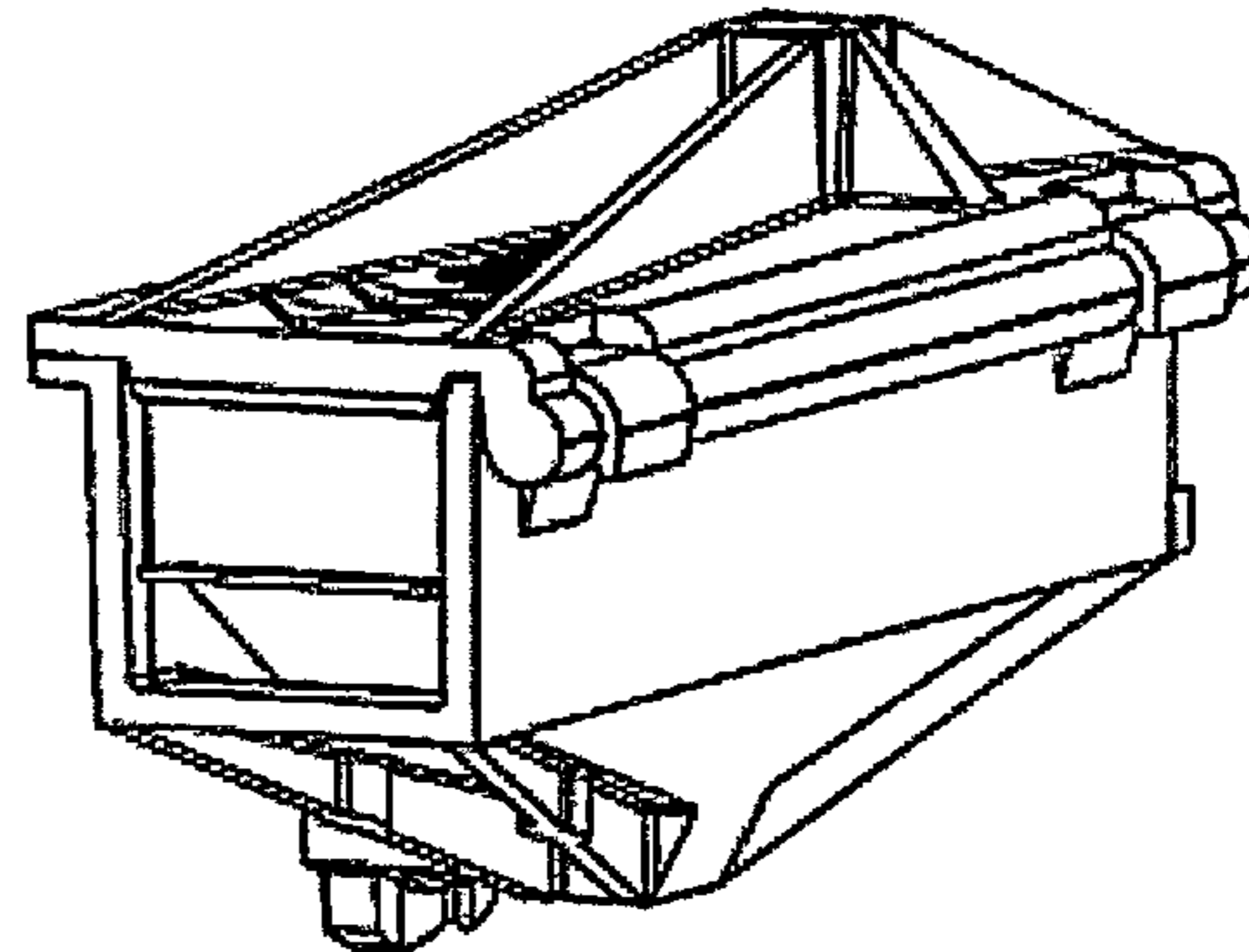
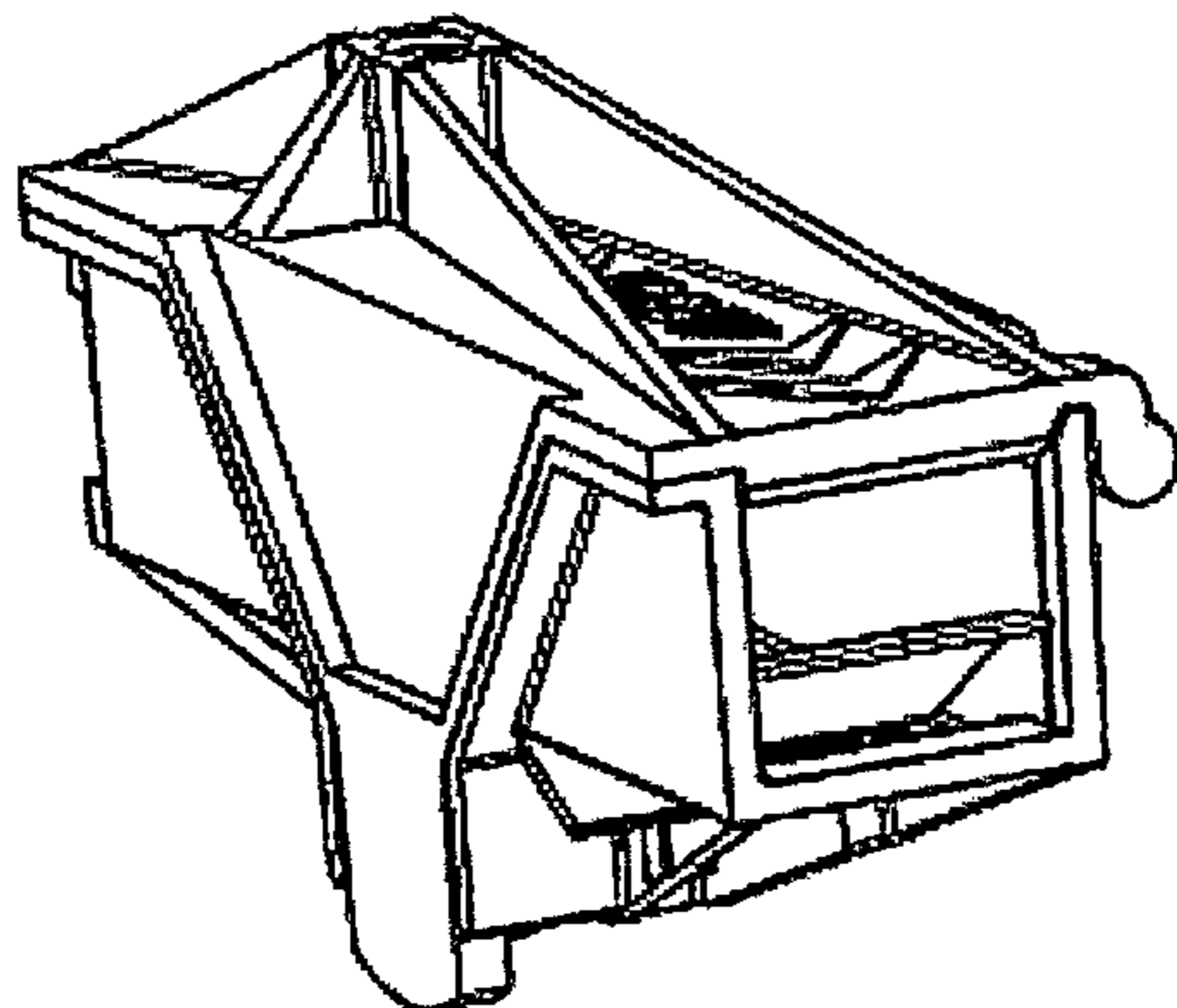
FIG. 6 is a rear view thereof;

FIG. 7 is a right view thereof; and,

FIG. 8 is a left view thereof.

Any broken lines present are indicative of environmental structure in the drawing and are not part of the design sought to be patented.

1 Claim, 2 Drawing Sheets



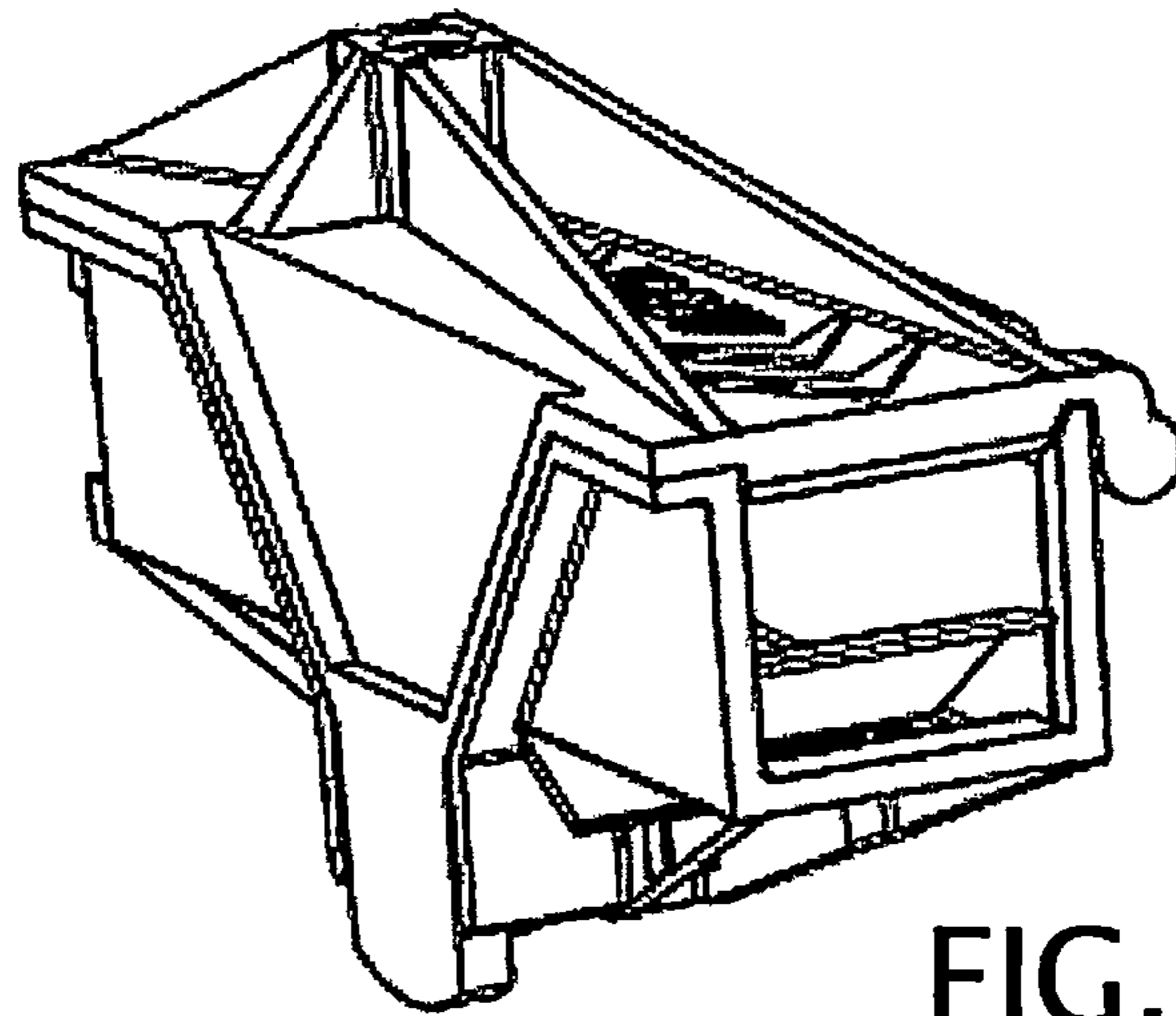


FIG. 1

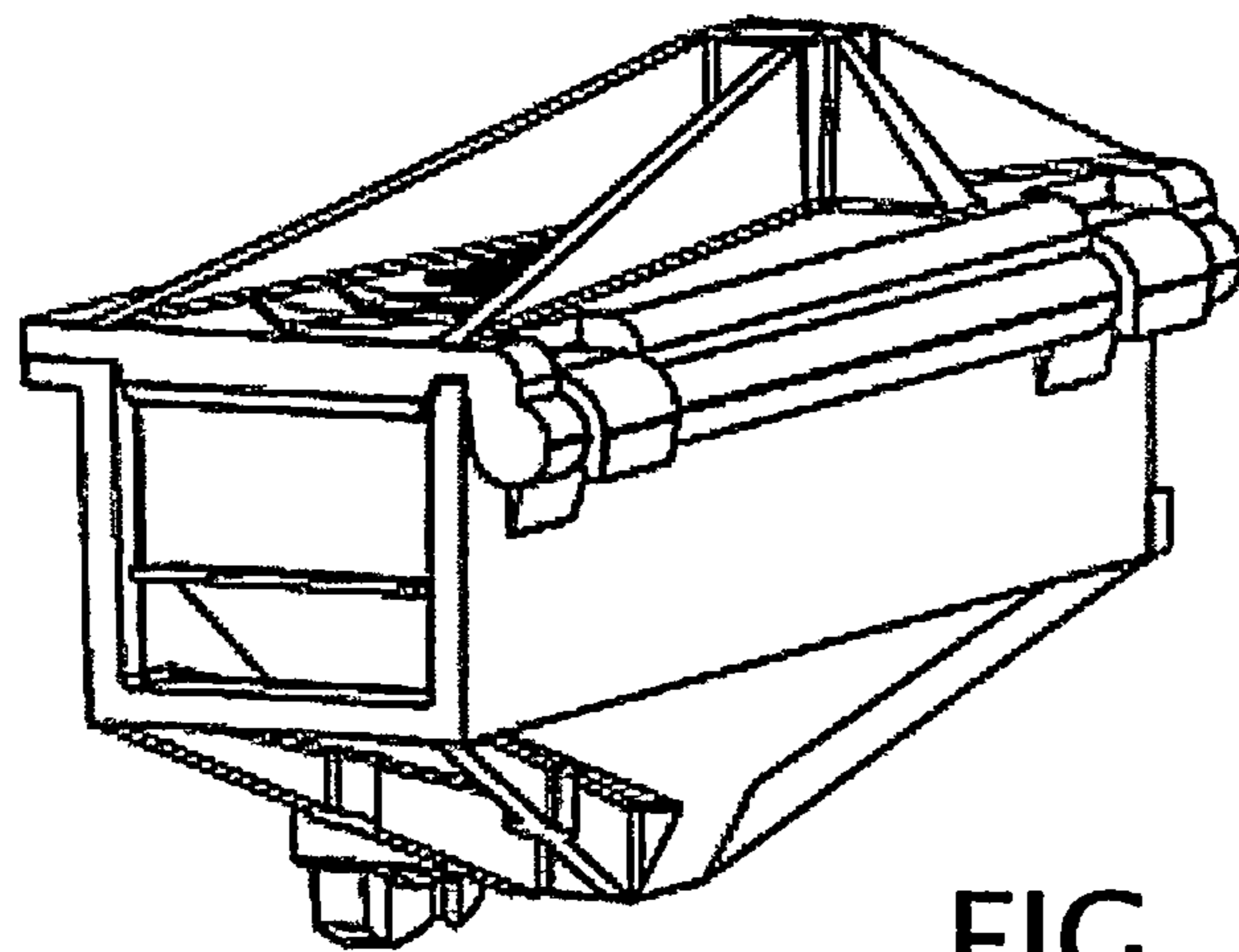


FIG. 2

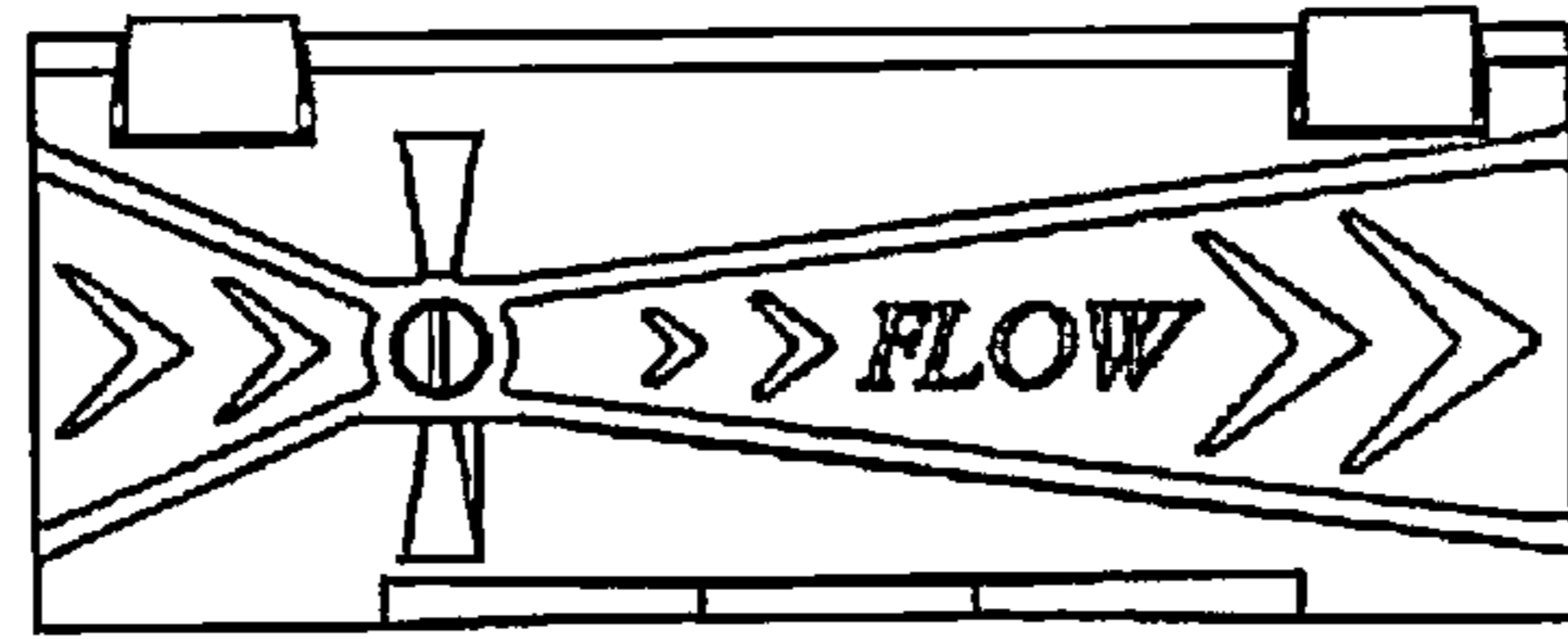


FIG. 3

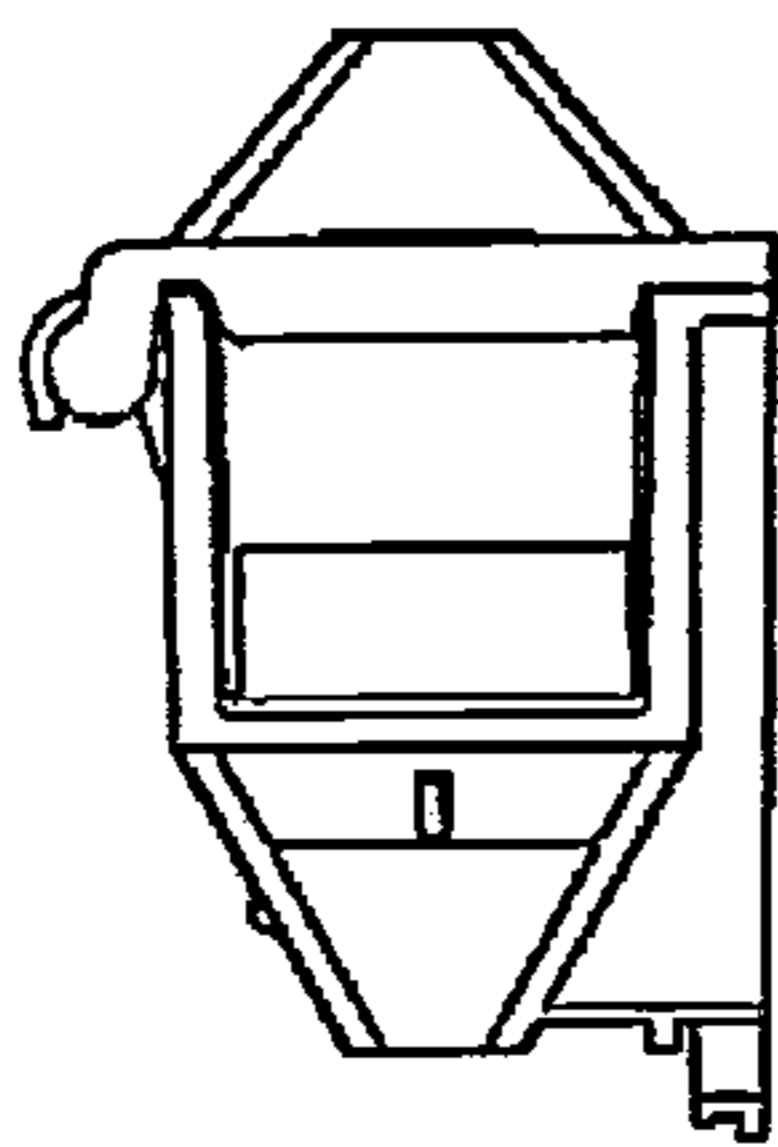


FIG. 8

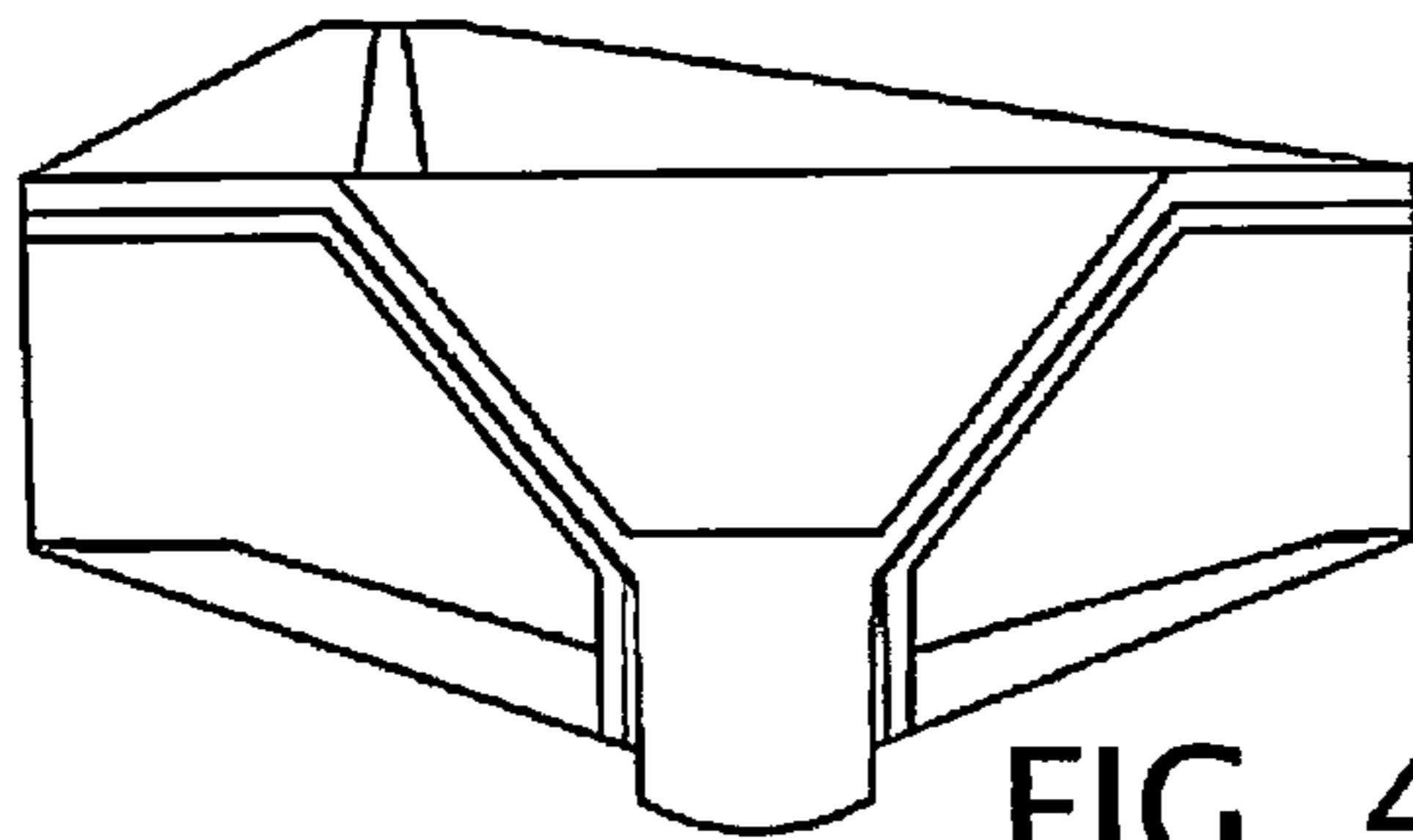


FIG. 4

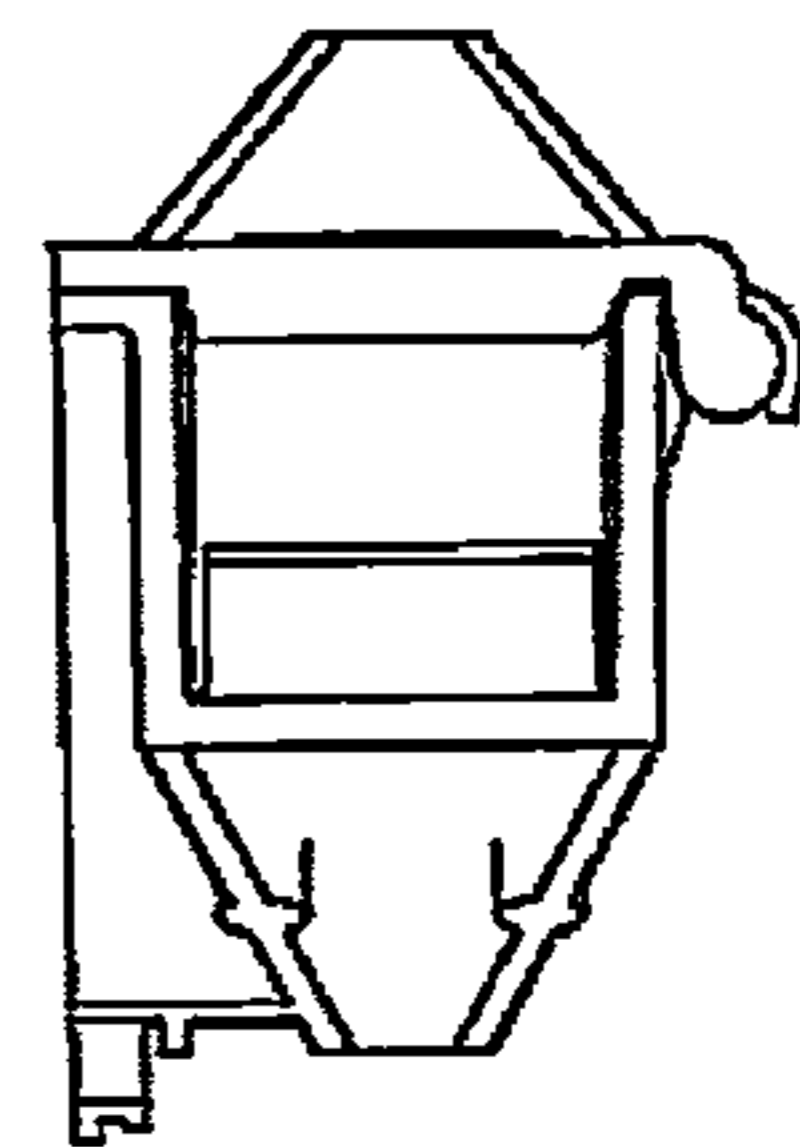


FIG. 7

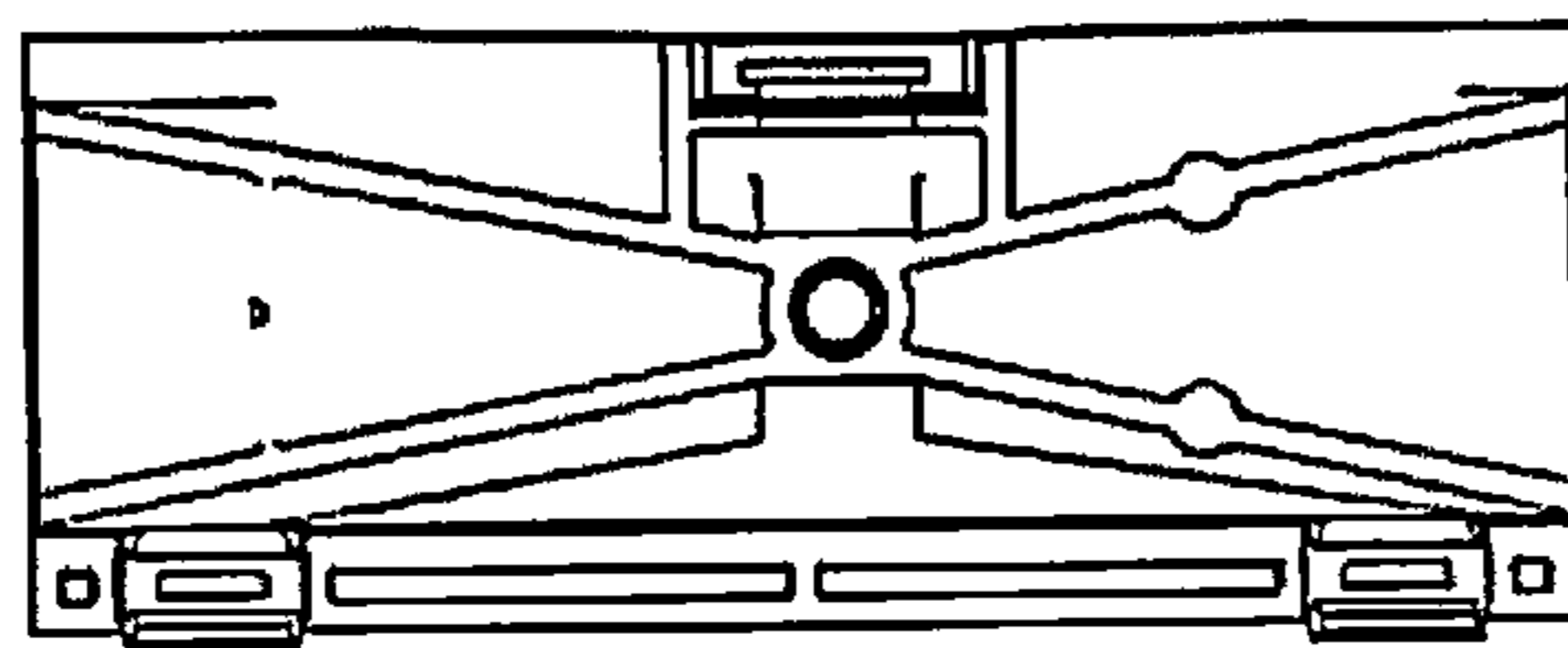


FIG. 5

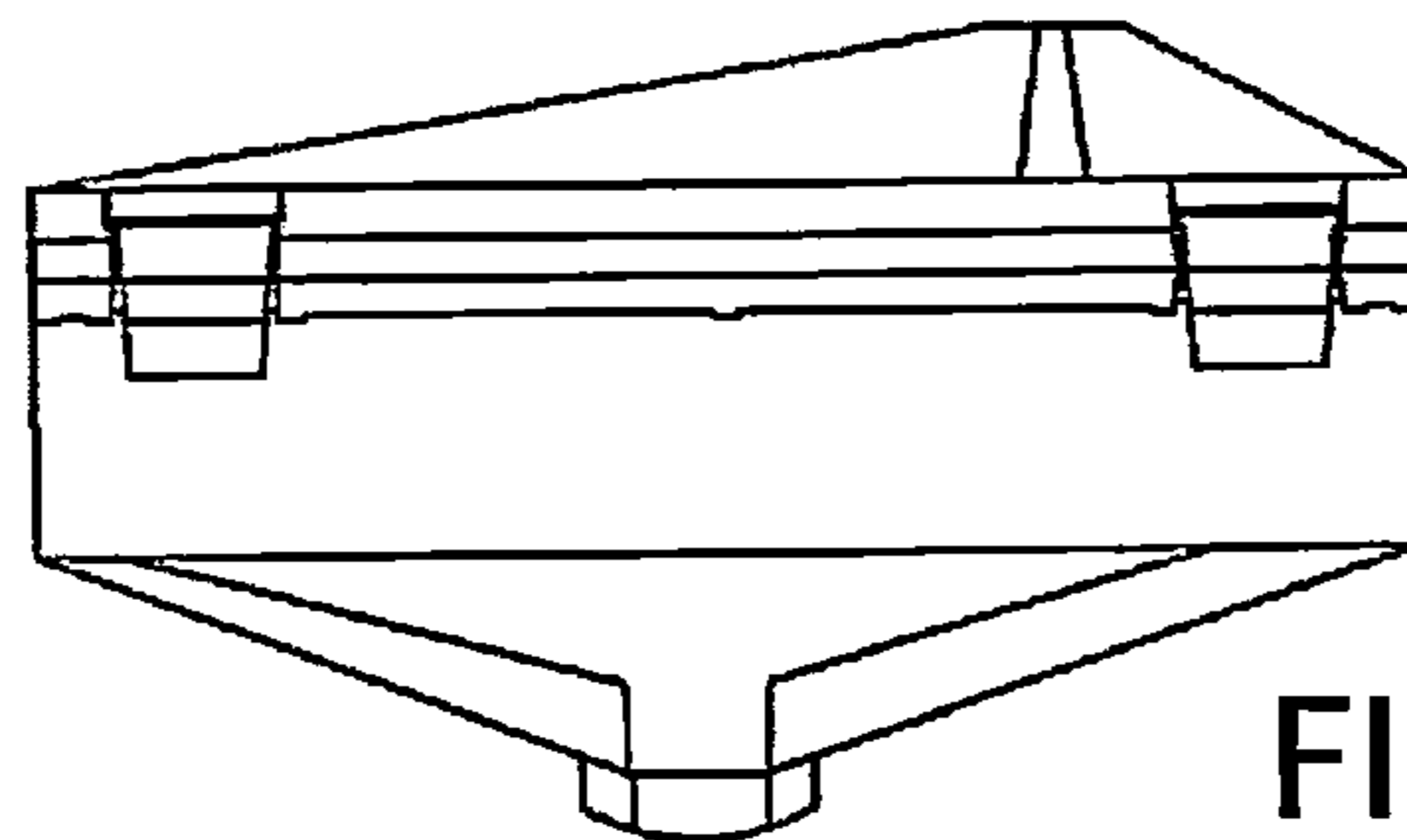


FIG. 6