



US00D734793S

(12) **United States Design Patent**  
**Leslie**

(10) **Patent No.:** **US D734,793 S**  
(45) **Date of Patent:** **\*\* Jul. 21, 2015**

(54) **CONTAINER GRIPPER**  
(71) Applicant: **John M. Leslie**, Blountville, TN (US)  
(72) Inventor: **John M. Leslie**, Blountville, TN (US)  
(\*\*) Term: **14 Years**

5,374,091	A *	12/1994	Gore et al.	294/183
5,653,626	A *	8/1997	Gottschald et al.	451/384
5,693,113	A *	12/1997	Dries et al.	65/260
6,079,541	A *	6/2000	Bercelli et al.	198/377.03
7,860,610	B2 *	12/2010	Waldmann et al.	700/245
8,267,451	B2 *	9/2012	Pedrazzini	294/207

\* cited by examiner

(21) Appl. No.: **29/463,660**  
(22) Filed: **Feb. 1, 2014**  
(51) **LOC (10) Cl.** ..... **15-09**  
(52) **U.S. Cl.**  
USPC ..... **D15/145**  
(58) **Field of Classification Search**  
USPC ..... D15/122, 138, 145, 199  
See application file for complete search history.

*Primary Examiner* — Patricia Palasik

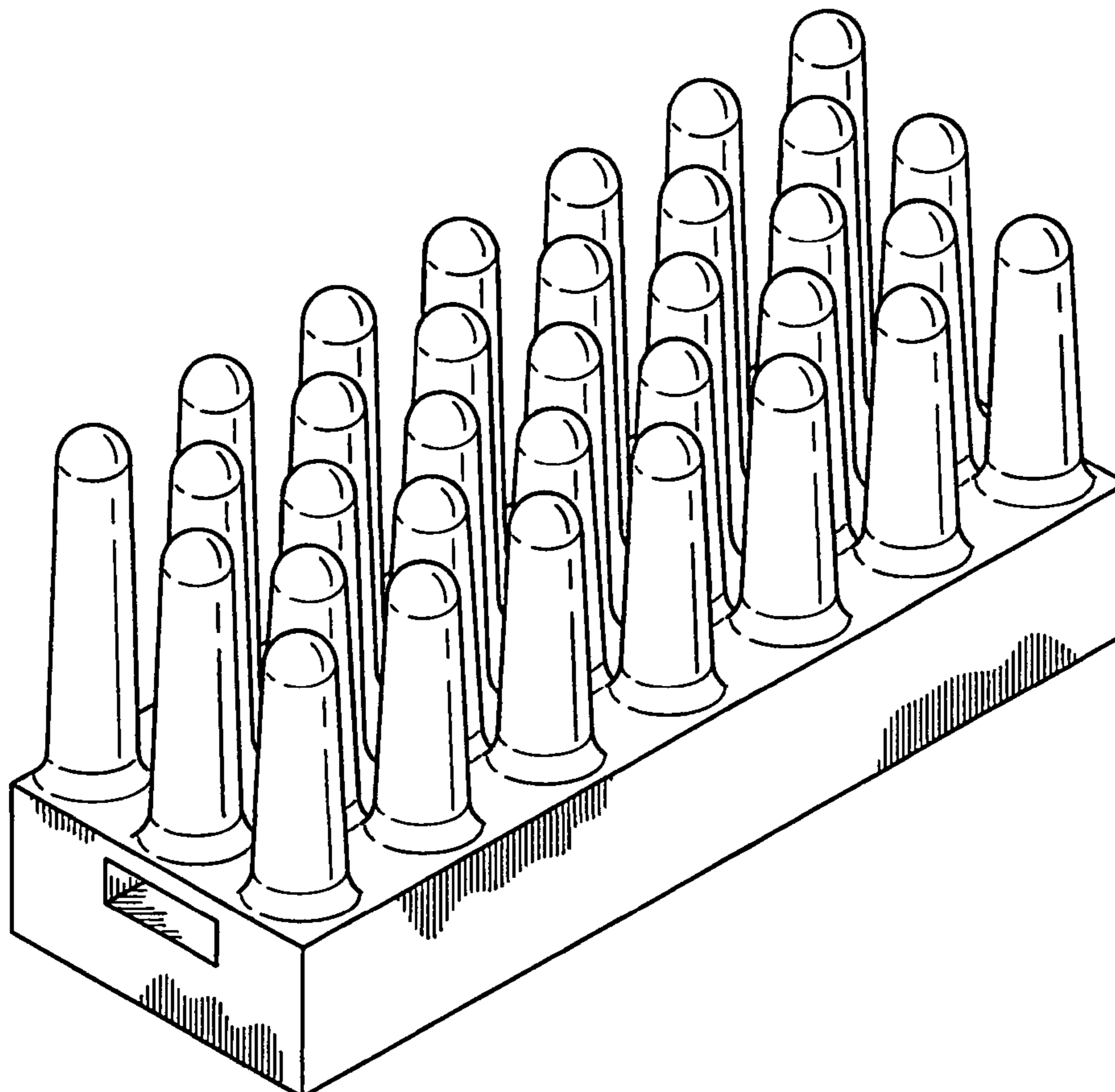
(57) **CLAIM**  
The ornamental design for a container gripper, as shown.

**DESCRIPTION**

FIG. 1 is a perspective left hand view of a container gripper showing my new design;  
FIG. 2 is a right perspective view thereof;  
FIG. 3 is a top down view thereof;  
FIG. 4 is a front side view thereof;  
FIG. 5 is a rear view thereof;  
FIG. 6 is a left hand end view thereof;  
FIG. 7 is a right hand end view thereof; and,  
FIG. 8 is a bottom view thereof.

(56) **References Cited**  
U.S. PATENT DOCUMENTS  
3,147,017 A \* 9/1964 Dunham ..... 279/3  
4,577,898 A \* 3/1986 Nusbaumer et al. .... 294/198  
4,593,948 A \* 6/1986 Borcea et al. .... 294/202  
D334,701 S \* 4/1993 Blatt et al. .... D8/72  
D345,410 S \* 3/1994 Del Prete ..... D23/209

**1 Claim, 3 Drawing Sheets**



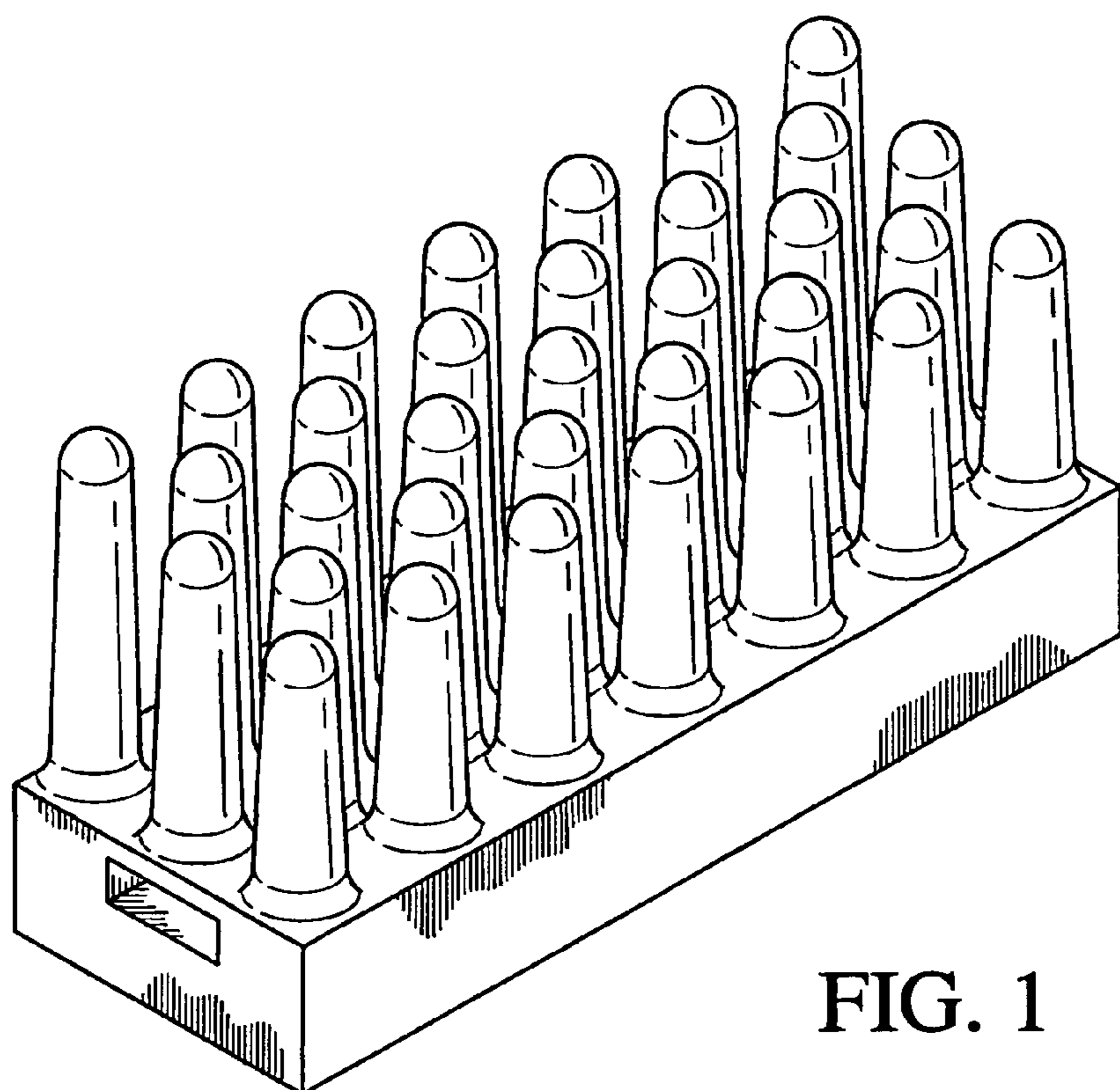


FIG. 1

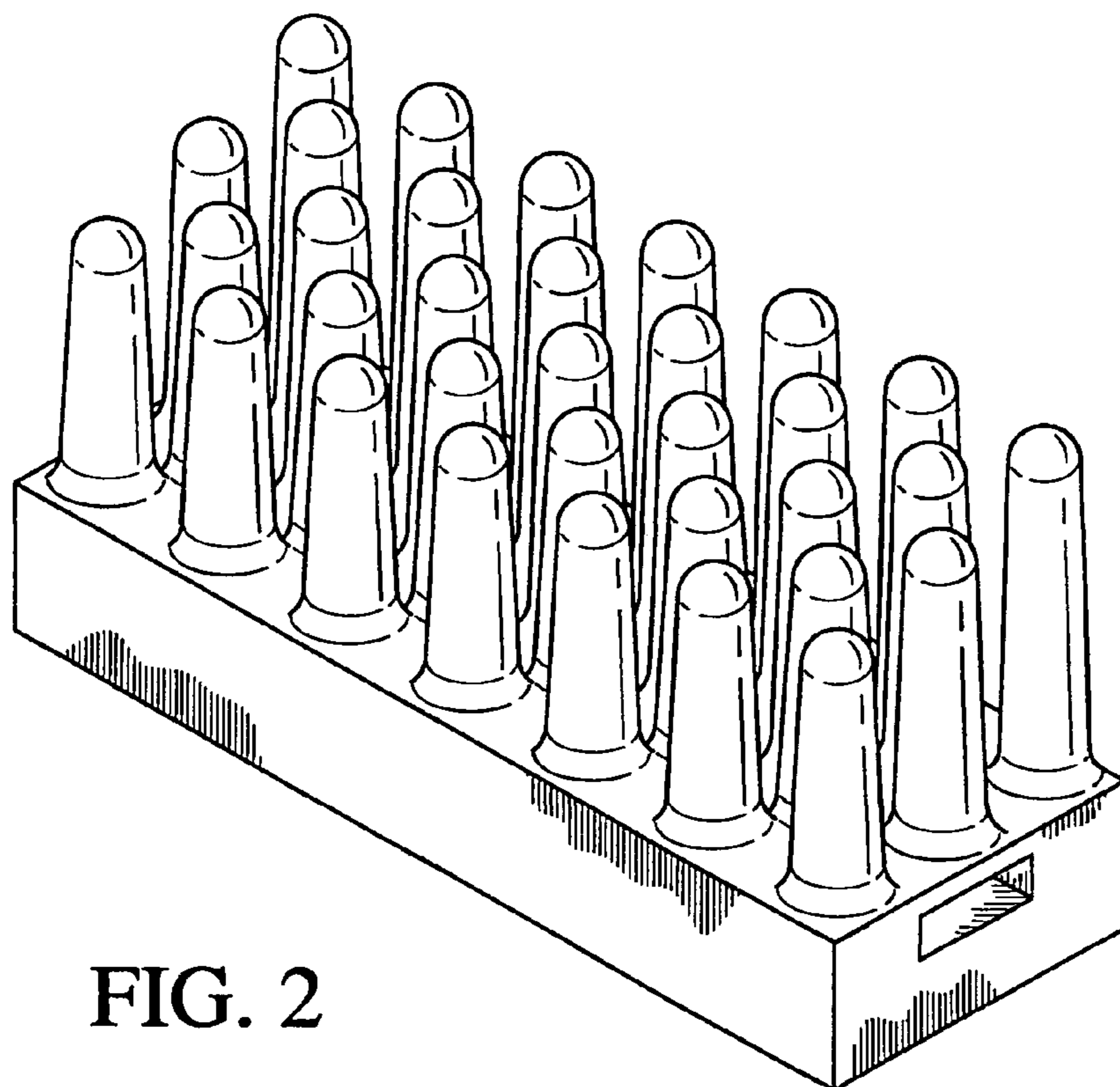


FIG. 2

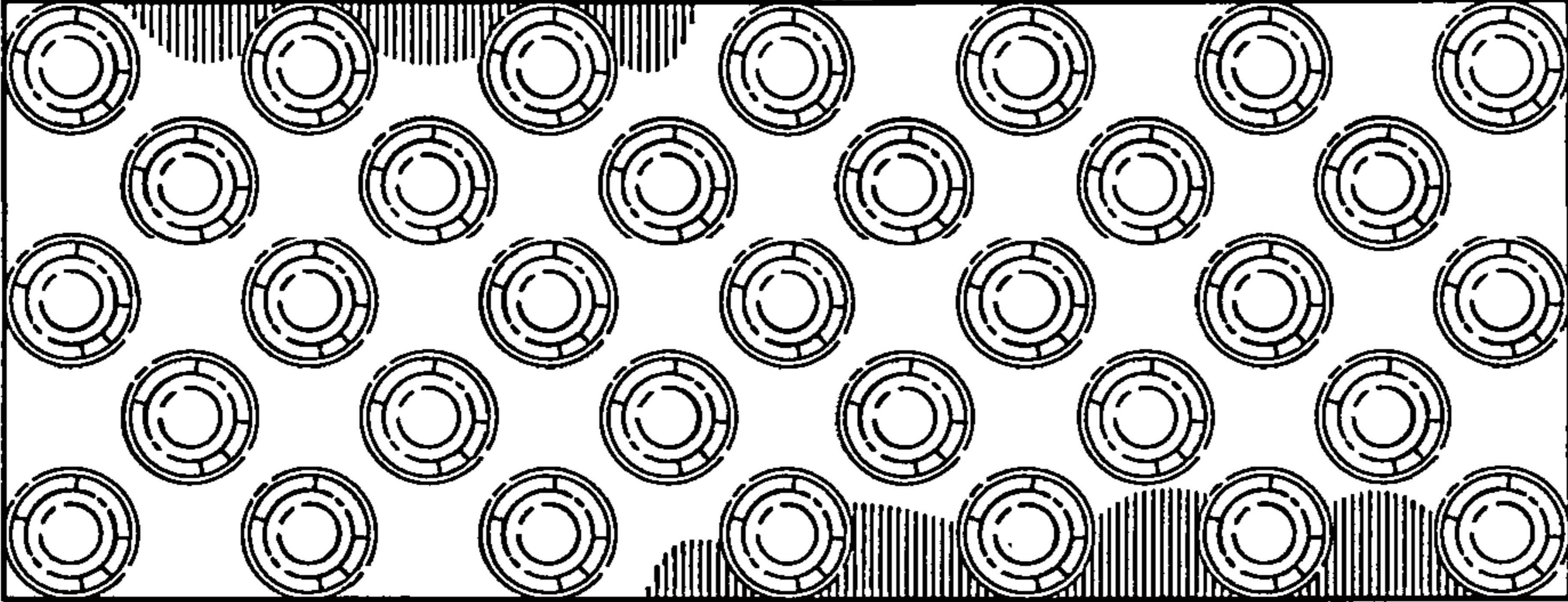


FIG. 3

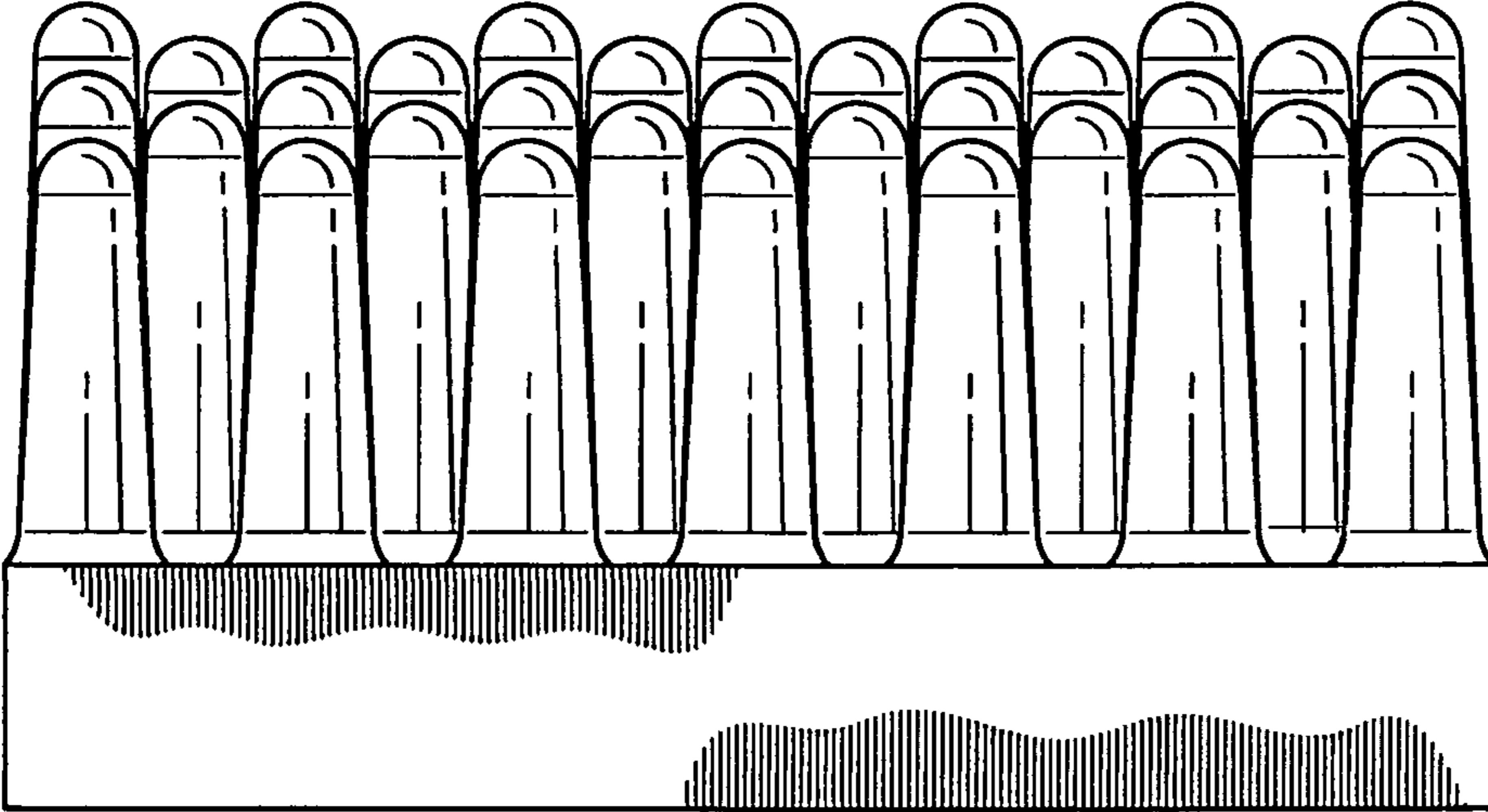


FIG. 4

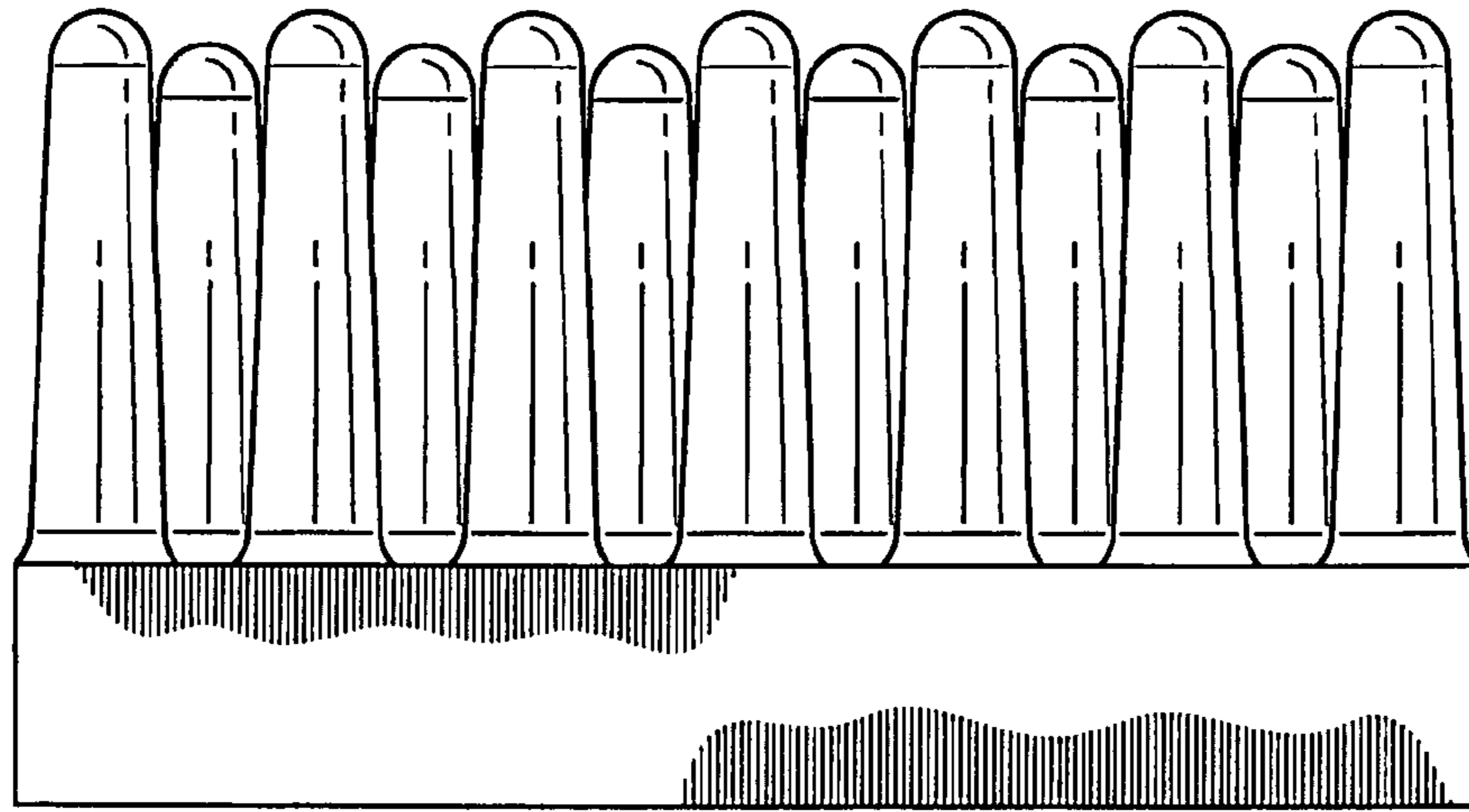


FIG. 5

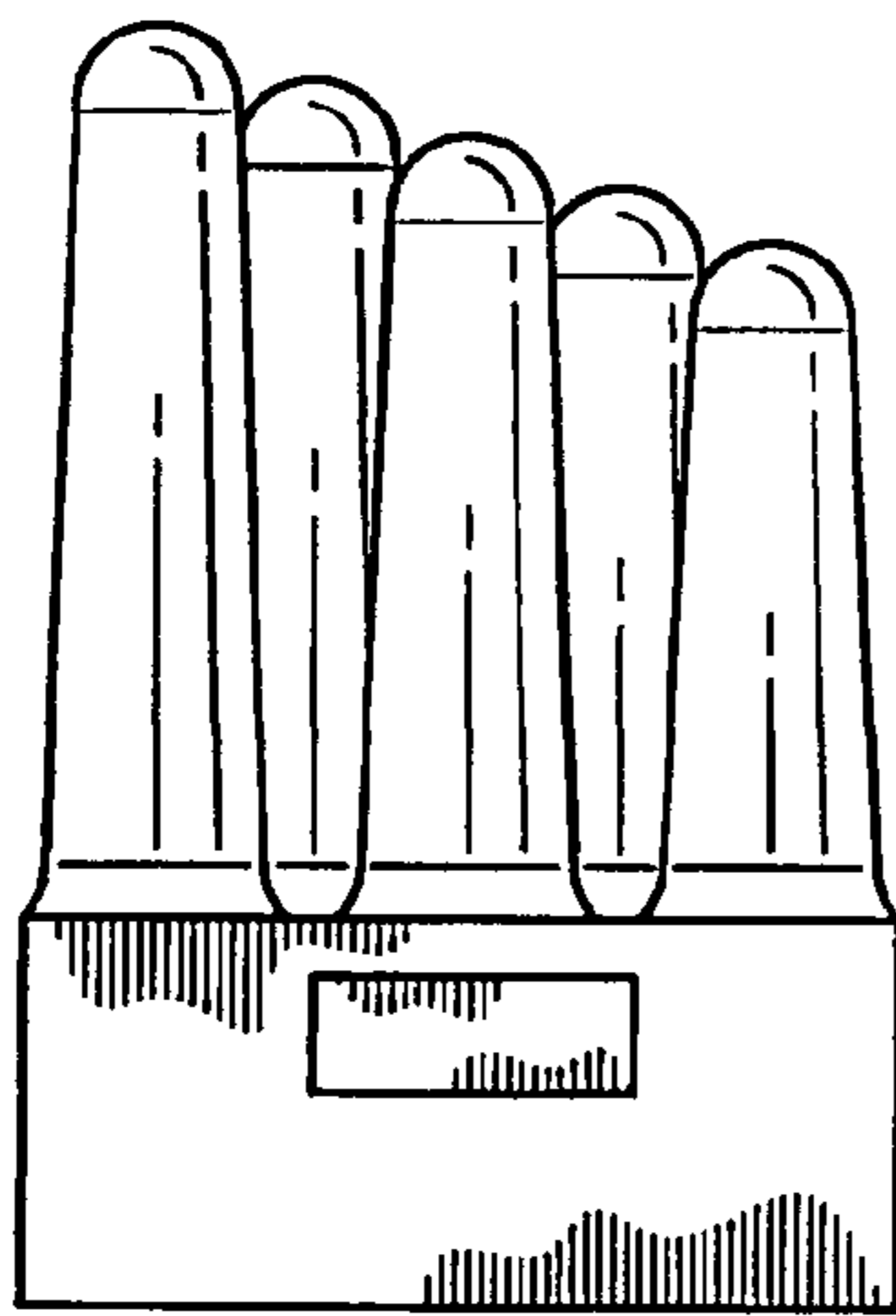


FIG. 6

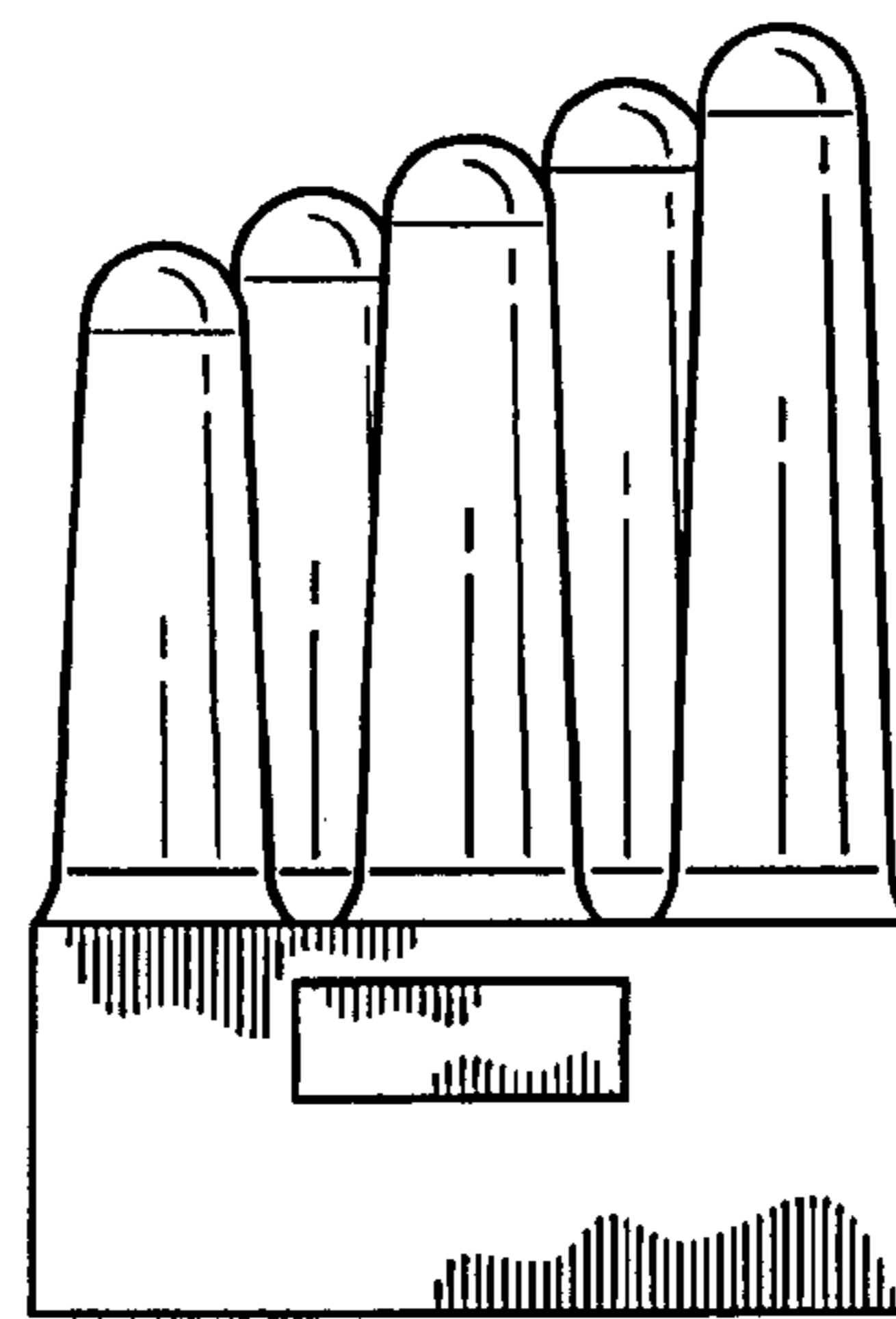


FIG. 7

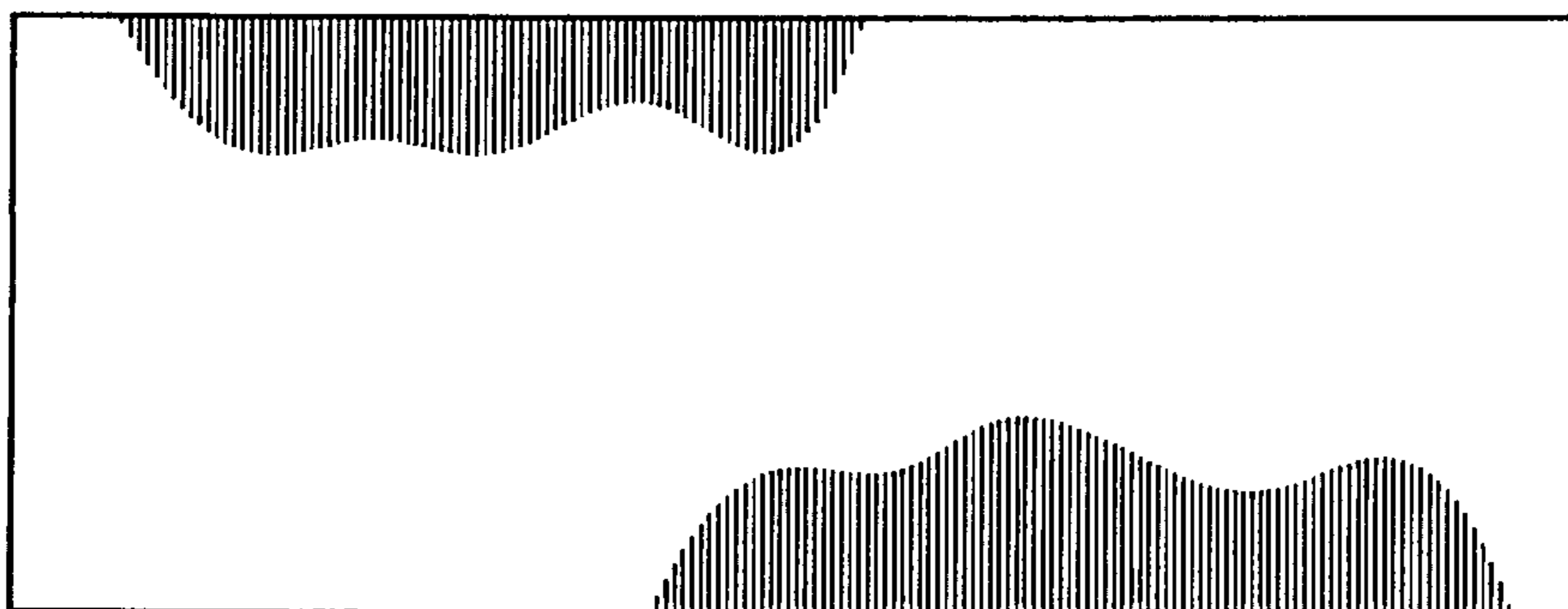


FIG. 8