



US00D734790S

(12) **United States Design Patent**  
**O'Malley et al.**

(10) **Patent No.:** **US D734,790 S**  
(45) **Date of Patent:** **\*\* Jul. 21, 2015**

(54) **DRILL BIT TIP**

(71) Applicants: **Dermot Francis O'Malley**, Ennis (IE);  
**Maweja Kasonde**, Boksburg (ZA); **John James Barry**, Ennis (IE)

(72) Inventors: **Dermot Francis O'Malley**, Ennis (IE);  
**Maweja Kasonde**, Boksburg (ZA); **John James Barry**, Ennis (IE)

(73) Assignees: **Element Six (Production) (Pty) Ltd**,  
Springs (ZA); **Element Six Limited**,  
County Clare (IE)

(\*\*) Term: **14 Years**

(21) Appl. No.: **29/442,924**

(22) Filed: **Jun. 13, 2013**

(30) **Foreign Application Priority Data**

Jun. 12, 2013	(EM)	002254458-0001
Jun. 12, 2013	(EM)	002254458-0002
Jun. 12, 2013	(EM)	002254458-0003
Jun. 12, 2013	(EM)	002254458-0004
Jun. 12, 2013	(EM)	002254458-0005
Jun. 12, 2013	(EM)	002254458-0006

(51) **LOC (10) Cl.** ..... **15-09**

(52) **U.S. Cl.**  
USPC ..... **D15/139**

(58) **Field of Classification Search**  
USPC ..... D8/70; D15/138, 139  
See application file for complete search history.

(56) **References Cited**

U.S. PATENT DOCUMENTS

544,337 A	8/1895	Williamson
4,527,643 A	7/1985	Horton et al.
5,299,471 A	4/1994	Tank et al.
5,375,672 A	12/1994	Peay et al.

(Continued)

FOREIGN PATENT DOCUMENTS

EP	0506238 A2	9/1992
EP	625628 A1	11/1994

(Continued)

OTHER PUBLICATIONS

U.S. Appl. No. 29/463,105, Notice of Allowance mailed Mar. 18, 2015, 14 pages.

(Continued)

*Primary Examiner* — Patricia Palasik

(74) *Attorney, Agent, or Firm* — Dean W. Russell; Michael A. Bertelson; Kilpatrick Townsend & Stockton LLP

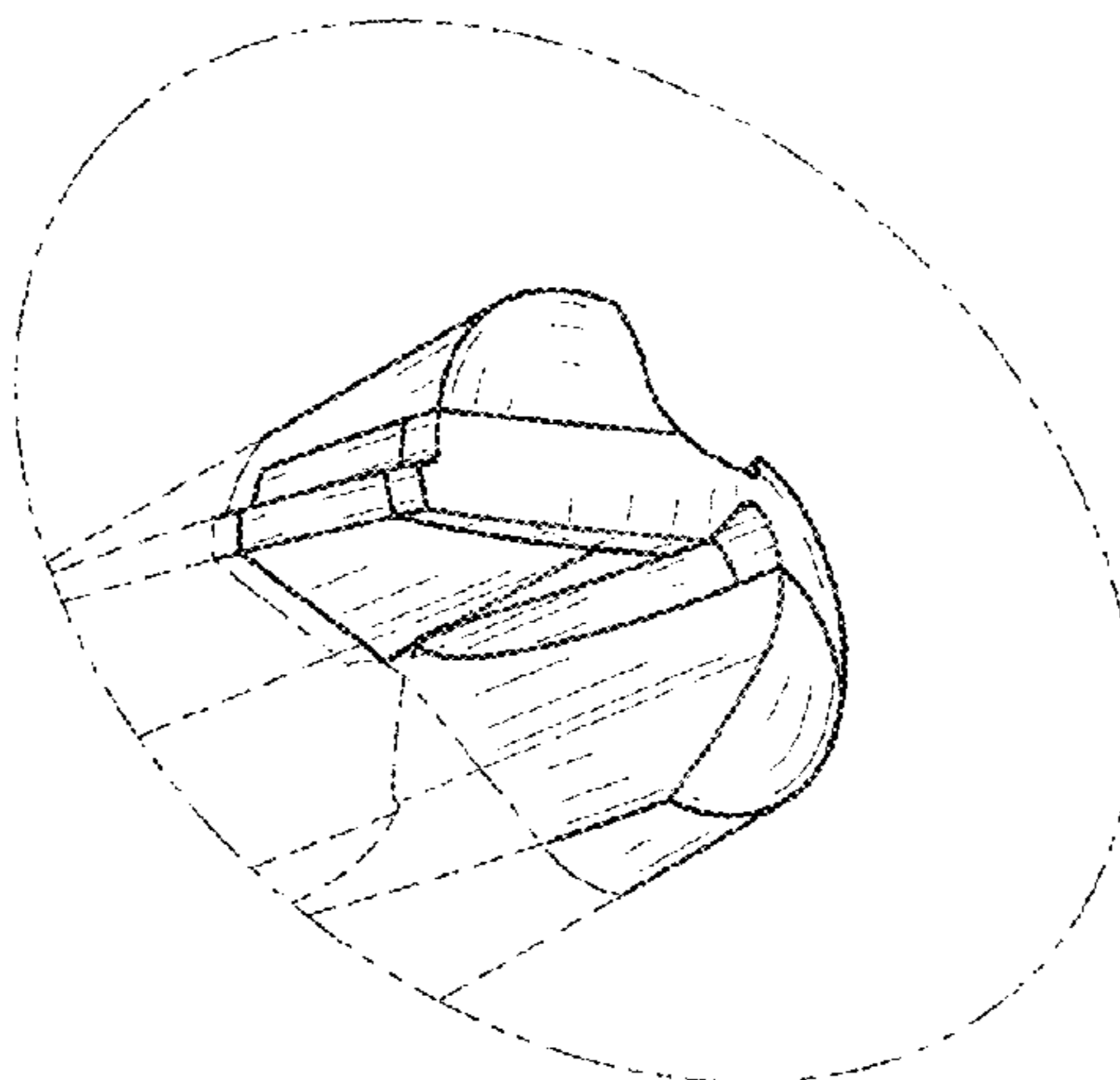
(57) **CLAIM**

The ornamental design for a drill bit tip, as shown and described.

**DESCRIPTION**

FIG. 1 is a perspective view of a drill bit tip; and, FIG. 2 is a front view of the drill bit tip of FIG. 1. FIG. 3 is an enlarged detail side view of the drill bit tip as shown in circle 3, 5, 6 in FIG. 1, a side view opposite to that of FIG. 3 being a mirror image of the side view of FIG. 3. FIG. 4 is a rear view of the drill bit tip of FIG. 1. FIG. 5 is another side view of the drill bit tip as shown in circle 3, 5, 6 in FIG. 1, a side view opposite to that of FIG. 5 being a mirror image of the side view of FIG. 5; and, FIG. 6 is another perspective view of the drill bit tip as shown in circle 3, 5, 6 in FIG. 1. The broken lines illustrate environment and boundaries of the claimed design, and form no part of the claimed design.

**1 Claim, 2 Drawing Sheets**



(56)

References Cited

U.S. PATENT DOCUMENTS

5,611,251 A 3/1997 Katayama  
 5,893,688 A 4/1999 Wiker et al.  
 5,931,615 A \* 8/1999 Wiker ..... 408/230  
 6,029,544 A 2/2000 Katayama  
 6,036,410 A \* 3/2000 Shun'ko ..... 408/230  
 6,145,606 A \* 11/2000 Haga ..... 175/420.1  
 6,779,951 B1 8/2004 Vale et al.  
 6,817,429 B2 11/2004 Sollami  
 6,899,495 B2 \* 5/2005 Hansson et al. .... 408/144  
 D510,586 S 10/2005 Sollami  
 D510,943 S 10/2005 Sollami  
 6,976,549 B2 12/2005 Haussmann et al.  
 7,001,120 B2 2/2006 Moser et al.  
 7,048,480 B2 \* 5/2006 Borschert et al. .... 408/144  
 7,055,633 B2 \* 6/2006 Cramer et al. .... 175/415  
 7,083,367 B2 \* 8/2006 Delett ..... 408/59  
 7,097,396 B1 \* 8/2006 Miyanaga ..... 408/144  
 7,114,892 B2 \* 10/2006 Hansson ..... 408/226  
 7,131,799 B2 11/2006 Stokey et al.  
 7,182,556 B2 2/2007 Takiguchi et al.  
 7,377,730 B2 5/2008 Hecht et al.  
 7,401,667 B2 7/2008 Duscha et al.  
 7,549,491 B2 \* 6/2009 Hoeggerl et al. .... 175/415  
 7,559,383 B2 \* 7/2009 Koch et al. .... 175/431  
 7,625,161 B1 \* 12/2009 Ruy Frota de Souza .... 408/227  
 7,686,105 B2 \* 3/2010 Hata ..... 175/394  
 7,735,585 B2 \* 6/2010 Koch ..... 175/426  
 7,913,777 B2 \* 3/2011 Rieger et al. .... 175/323  
 8,021,088 B2 \* 9/2011 Hecht ..... 408/231  
 8,430,609 B2 \* 4/2013 Frejd ..... 408/231

D682,326 S \* 5/2013 Monyak et al. .... D15/139  
 D688,716 S 8/2013 Lampe  
 8,556,550 B2 10/2013 Lutz et al.  
 D693,861 S \* 11/2013 Sato et al. .... D15/139  
 8,579,557 B2 \* 11/2013 Arai et al. .... 408/230  
 8,628,278 B2 \* 1/2014 Krenzer ..... 408/230  
 8,721,235 B2 \* 5/2014 Kretzschmann et al. .... 408/231  
 8,740,517 B2 \* 6/2014 Friedrichs ..... 408/230  
 8,807,248 B2 \* 8/2014 Bise et al. .... 175/427  
 8,814,483 B2 \* 8/2014 Harouche ..... 408/223  
 8,834,080 B2 \* 9/2014 Kauper ..... 408/224  
 8,864,425 B2 \* 10/2014 Osawa et al. .... 408/233  
 8,876,446 B2 11/2014 Shaheen  
 8,882,412 B2 \* 11/2014 Sampath ..... 408/230  
 8,882,413 B2 11/2014 Hecht  
 D723,076 S 2/2015 Lampe et al.  
 2005/0005081 A1 1/2005 Ehama et al.  
 2008/0247899 A1 10/2008 Cho et al.  
 2012/0241223 A1 9/2012 Bise et al.

FOREIGN PATENT DOCUMENTS

GB 2462025 A 1/2010  
 JP 64016330 1/1989  
 JP 2001300807 10/2001  
 WO 2012076678 A1 6/2012

OTHER PUBLICATIONS

U.S. Appl. No. 29/463,108, Notice of Allowance mailed Mar. 18, 2015, 12 pages.

\* cited by examiner

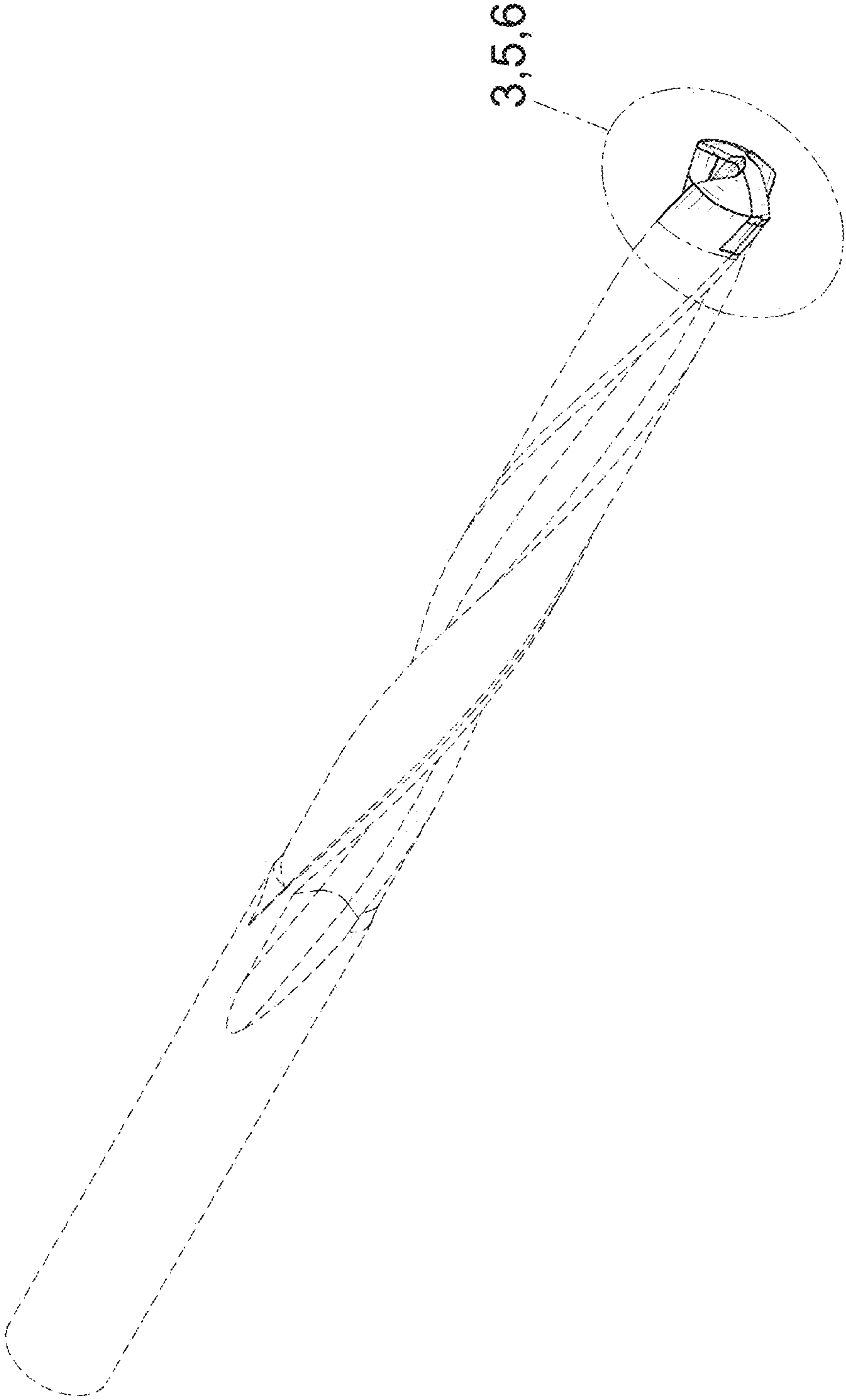


FIG. 1

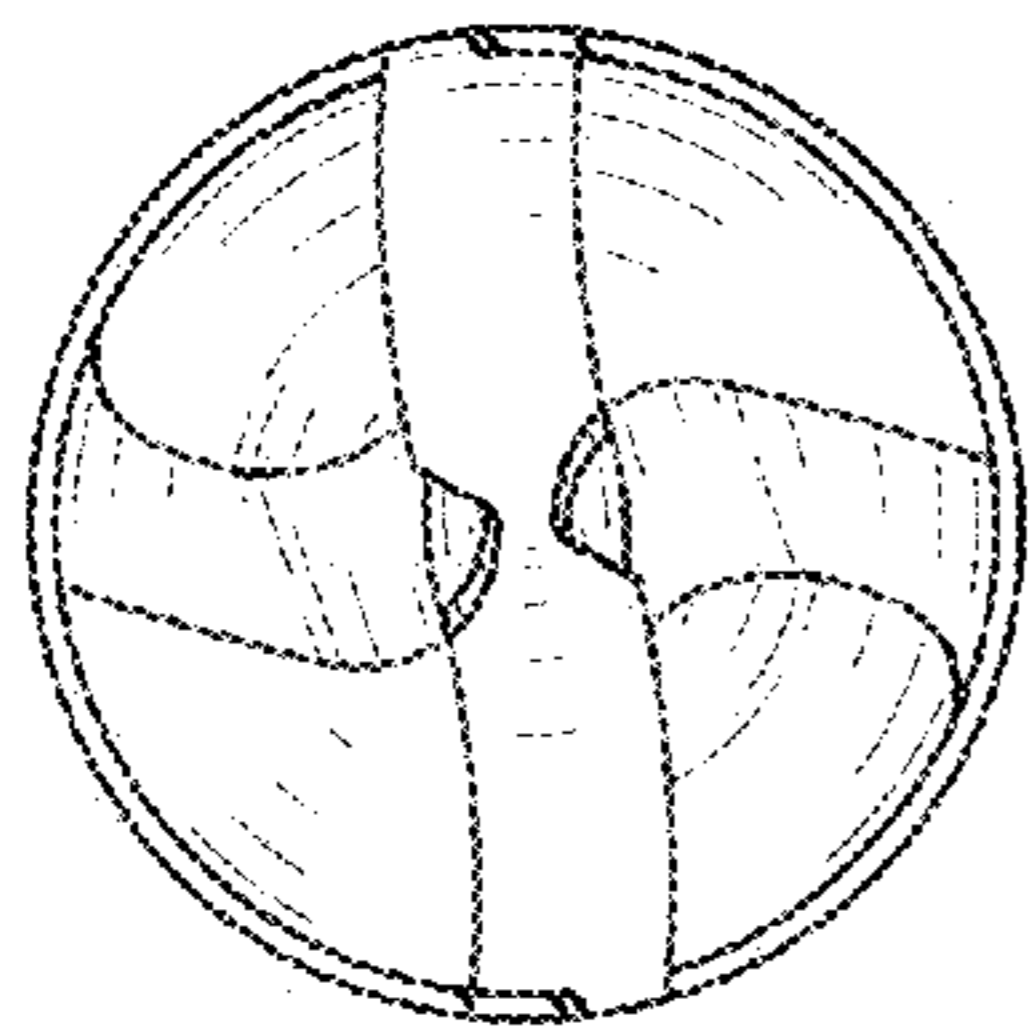


FIG. 2

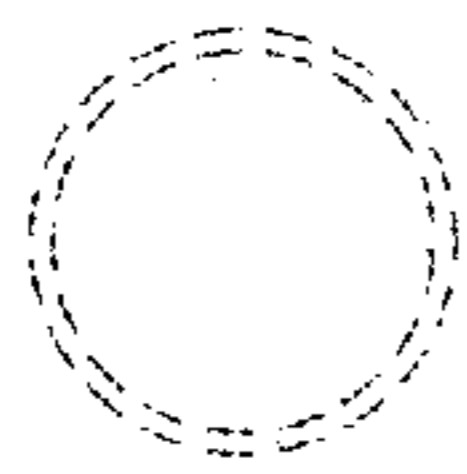


FIG. 4

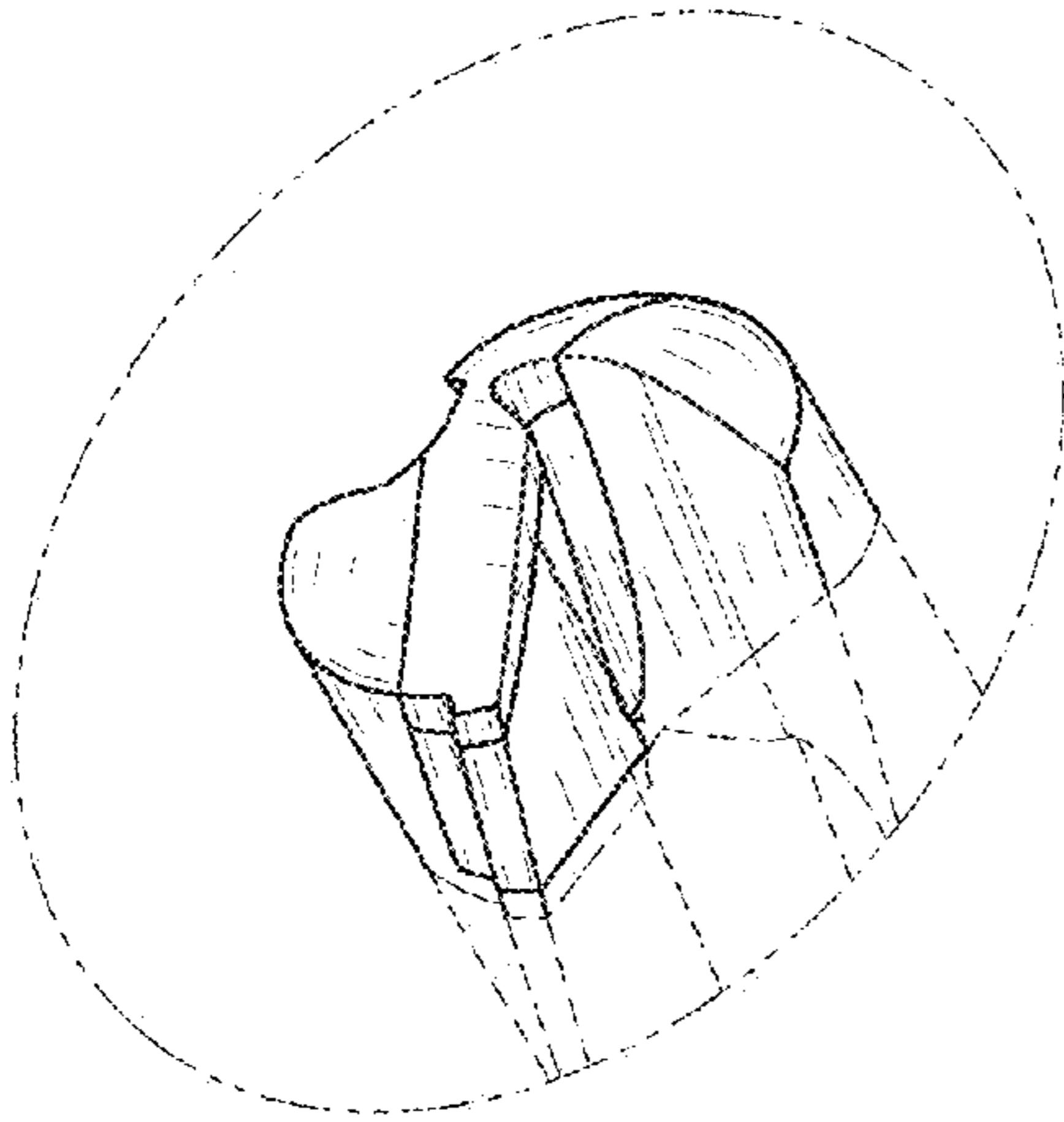


FIG. 6

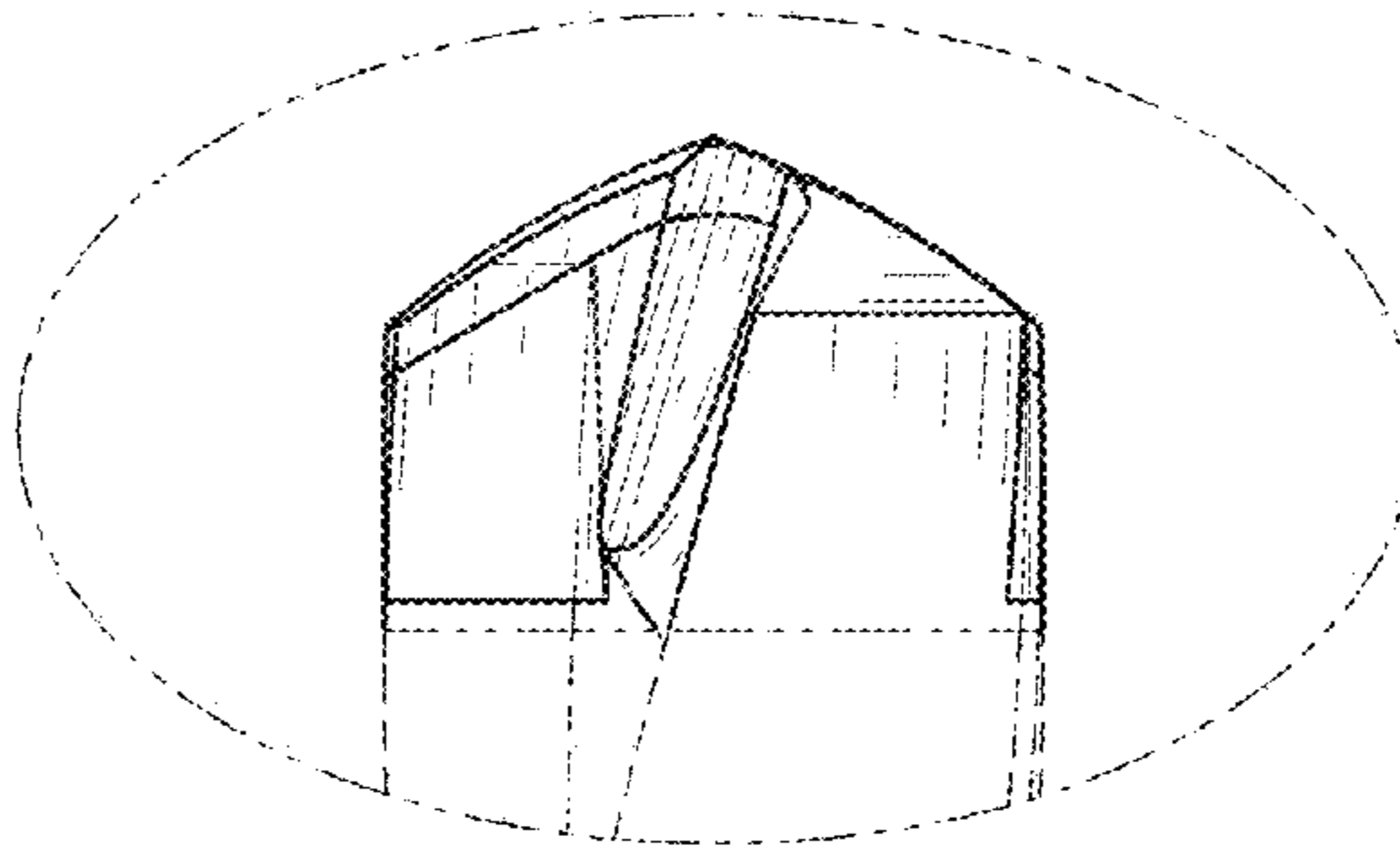


FIG. 5

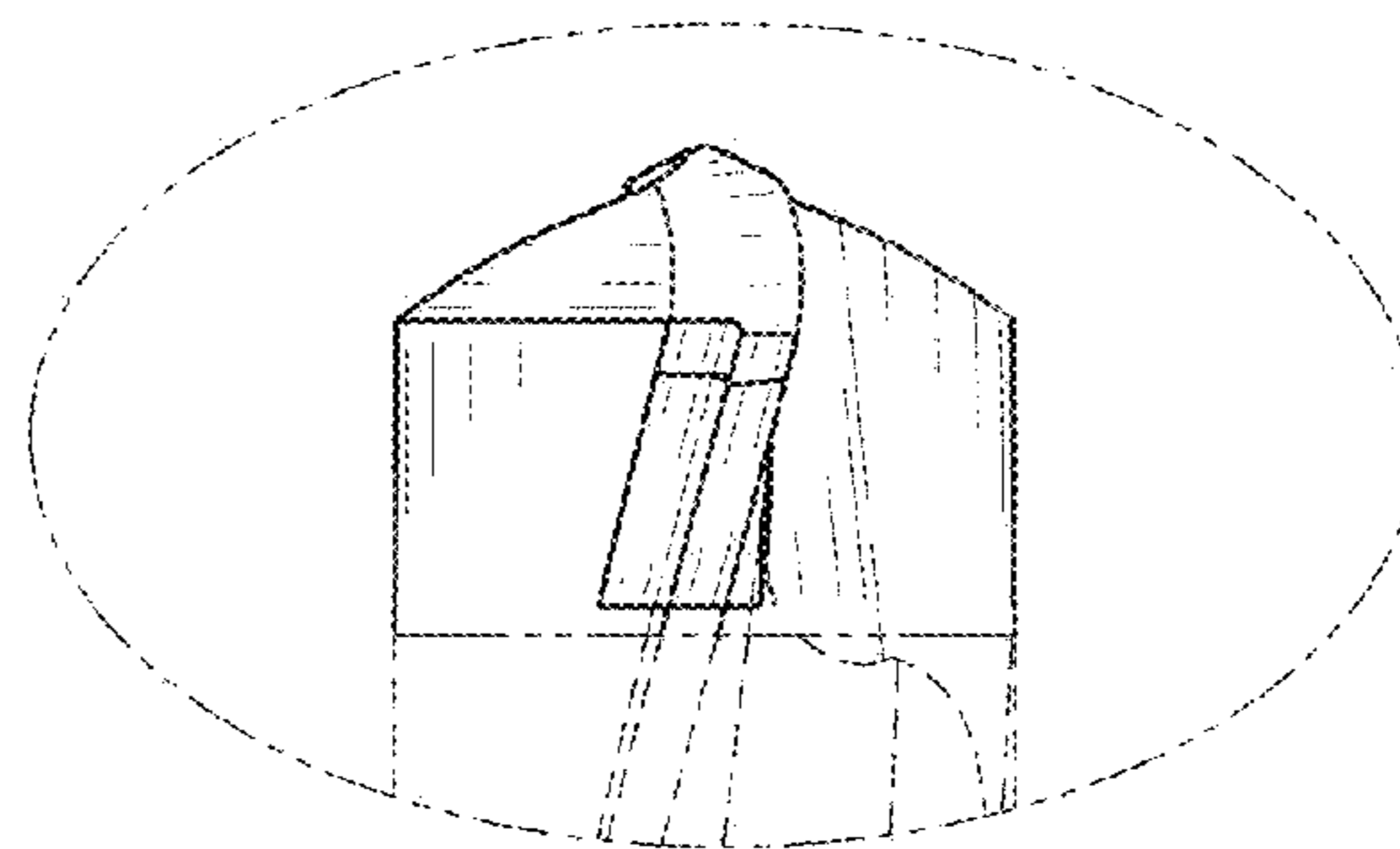


FIG. 3