



US00D734789S

(12) **United States Design Patent**
Dallimore et al.

(10) **Patent No.:** **US D734,789 S**

(45) **Date of Patent:** **** Jul. 21, 2015**

(54) **CRUSHER**

(56) **References Cited**

(71) Applicant: **SANDVIK INTELLECTUAL
PROPERTY AB**, Sandviken (SE)

U.S. PATENT DOCUMENTS

(72) Inventors: **Rowan Dallimore**, Bath (GB); **Andreas
Forsberg**, Malmo (SE); **Knut Kjaerran**,
Svedala (SE)

3,074,657	A *	1/1963	Bridgewater	241/275
3,154,259	A *	10/1964	Behnke et al.	241/275
4,091,725	A *	5/1978	Arp	100/45
4,768,723	A *	9/1988	Fritz	241/268
4,796,822	A *	1/1989	Terrenzio	241/275
5,111,927	A *	5/1992	Schulze, Jr.	194/209
5,125,331	A *	6/1992	Wood	100/37
D331,414	S *	12/1992	Long	D15/123
D337,773	S *	7/1993	Jones	D15/123
D350,142	S *	8/1994	Imanishi et al.	D15/123
D354,293	S *	1/1995	Brown, Jr.	D15/123
5,775,609	A *	7/1998	Ackers et al.	241/285.3
D413,339	S *	8/1999	Wales, Jr.	D15/123
6,311,908	B1 *	11/2001	Kajiyama et al.	241/29
6,827,301	B1 *	12/2004	Kassuba	241/37
D557,294	S *	12/2007	Okuya	D15/123
D561,789	S *	2/2008	Murphy et al.	D15/123
2013/0146692	A1 *	6/2013	Dallimore et al.	241/27
2013/0153697	A1 *	6/2013	Ito et al.	241/36

(73) Assignee: **SANDVIK INTELLECTUAL
PROPERTY AB**, Sandviken (SE)

(**) Term: **14 Years**

(21) Appl. No.: **29/460,756**

(22) Filed: **Jul. 15, 2013**

(30) **Foreign Application Priority Data**

Jan. 15, 2013	(EM)	001357495-0001
Jan. 15, 2013	(EM)	001357495-0002
Jan. 15, 2013	(EM)	001357495-0003

(51) **LOC (10) Cl.** **15-09**

(52) **U.S. Cl.**
USPC **D15/123**

(58) **Field of Classification Search**
USPC D15/122, 123; 72/448, 455, 465;
100/207, 208, 214, 268, 282, 292;
241/31, 58, 159, 179, 186, 236, 285;
435/86, 135, 347, 348.5, 349, 350,
435/353, 355, 358, 360

See application file for complete search history.

* cited by examiner

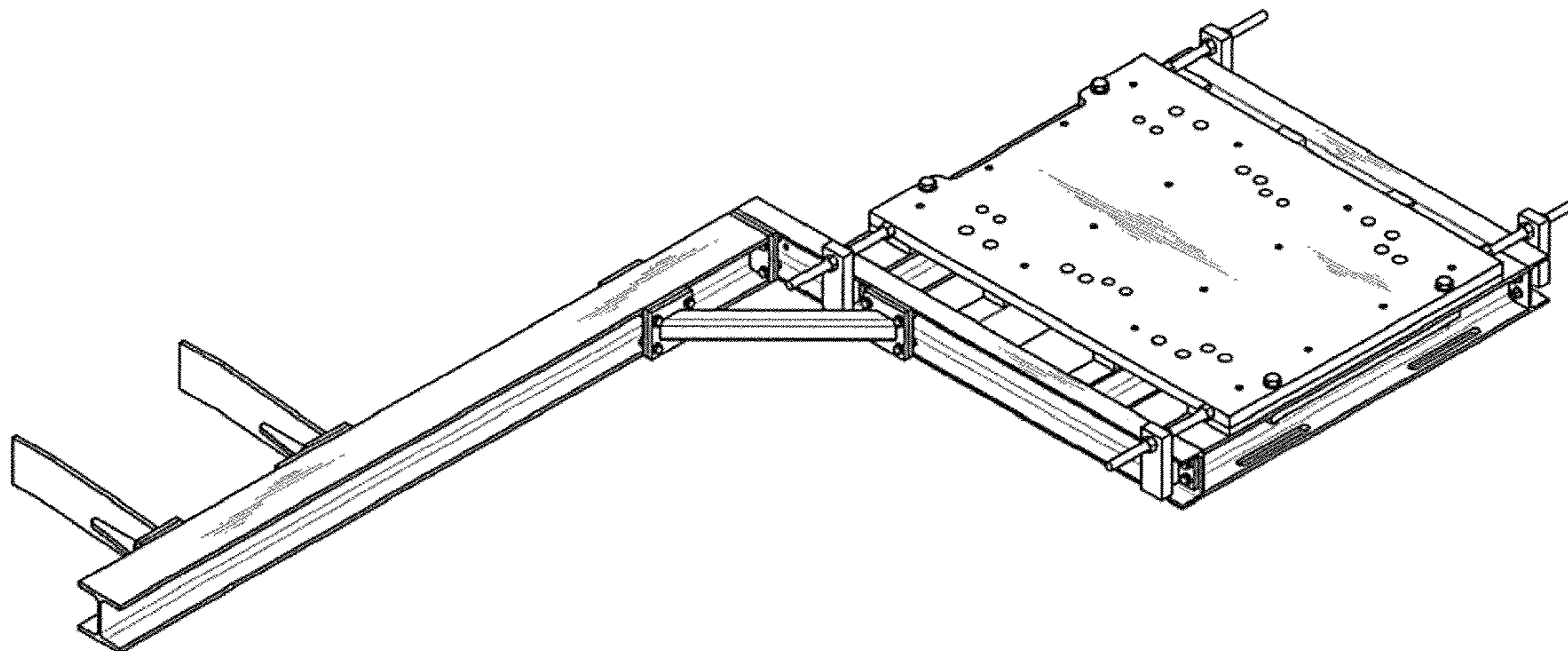
Primary Examiner — Patricia Palasik
(74) *Attorney, Agent, or Firm* — Corinne R. Gorski

(57) **CLAIM**
The ornamental design for a crusher, as shown and described.

DESCRIPTION

FIG. 1 is a perspective of a crusher;
FIG. 2 is a top view thereof;
FIG. 3 is a rear elevational view thereof;
FIG. 4 is a front elevational view thereof;
FIG. 5 is a bottom view thereof;
FIG. 6 is a left elevational view thereof; and,
FIG. 7 is a right elevational view thereof.

1 Claim, 7 Drawing Sheets



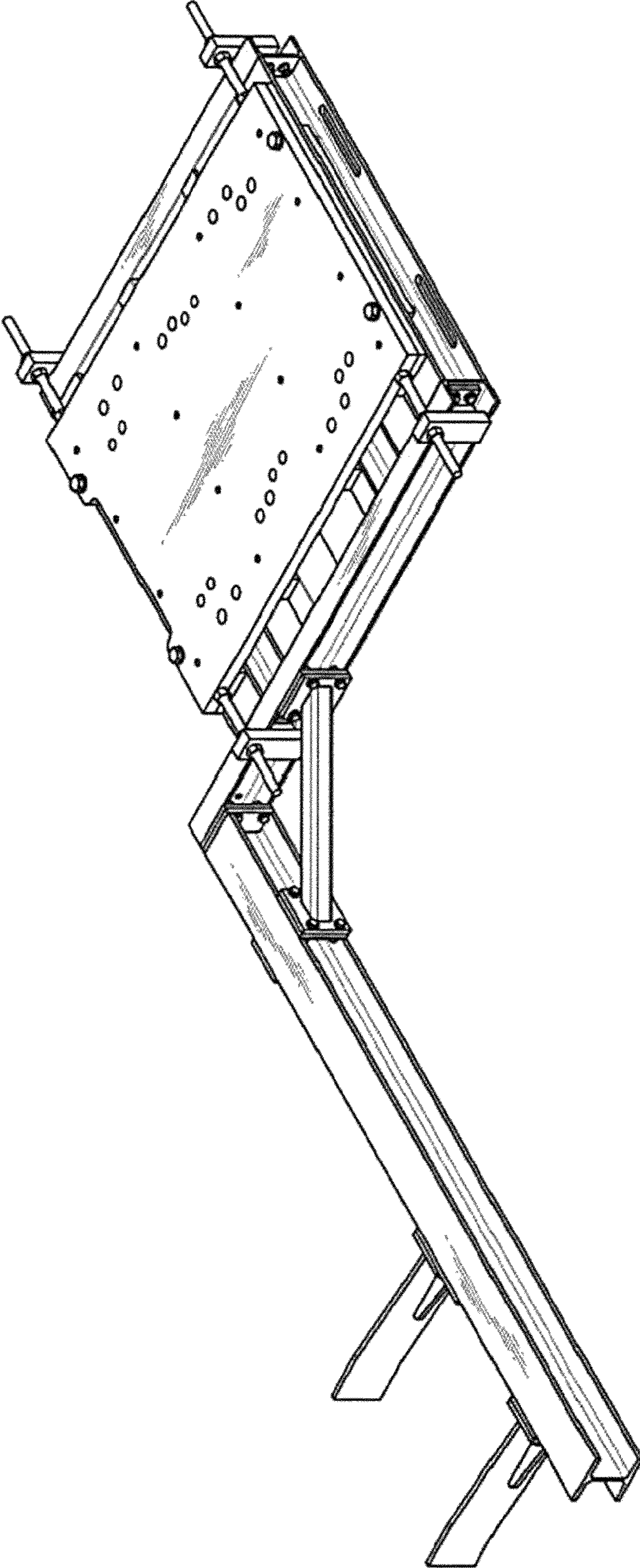


FIG. 1

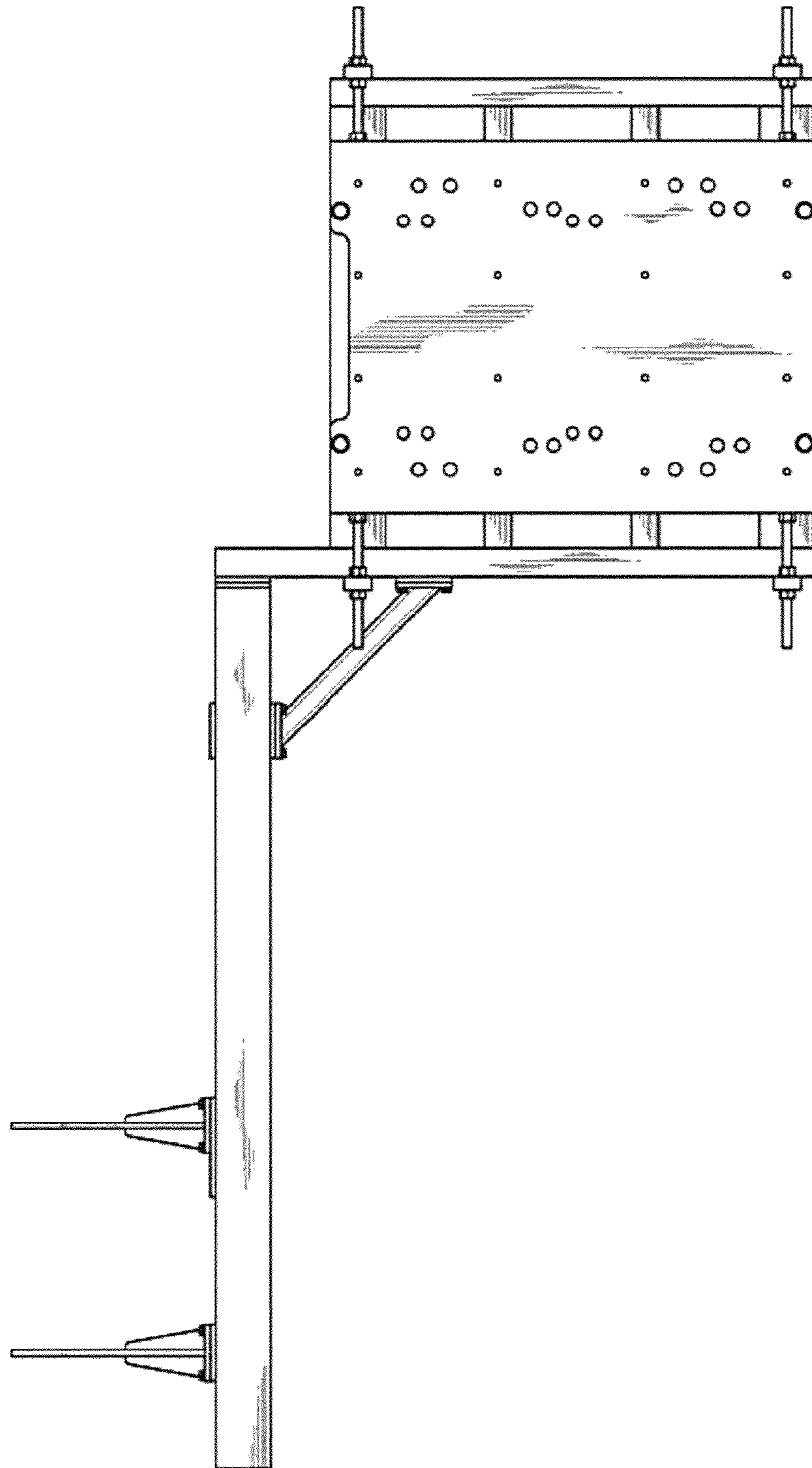


FIG. 2

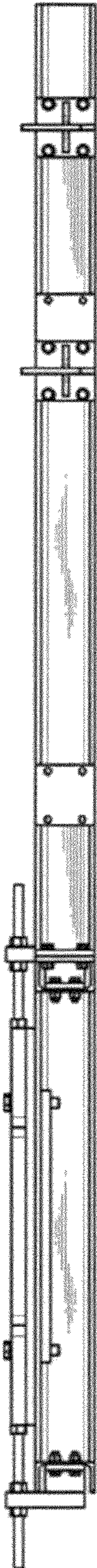


FIG. 3

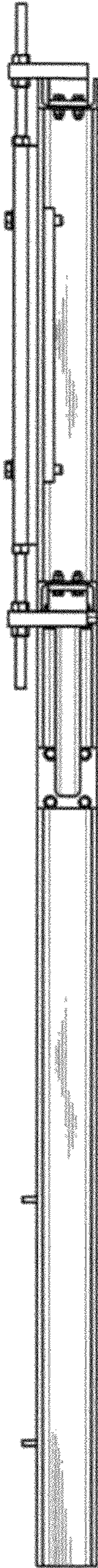


FIG. 4

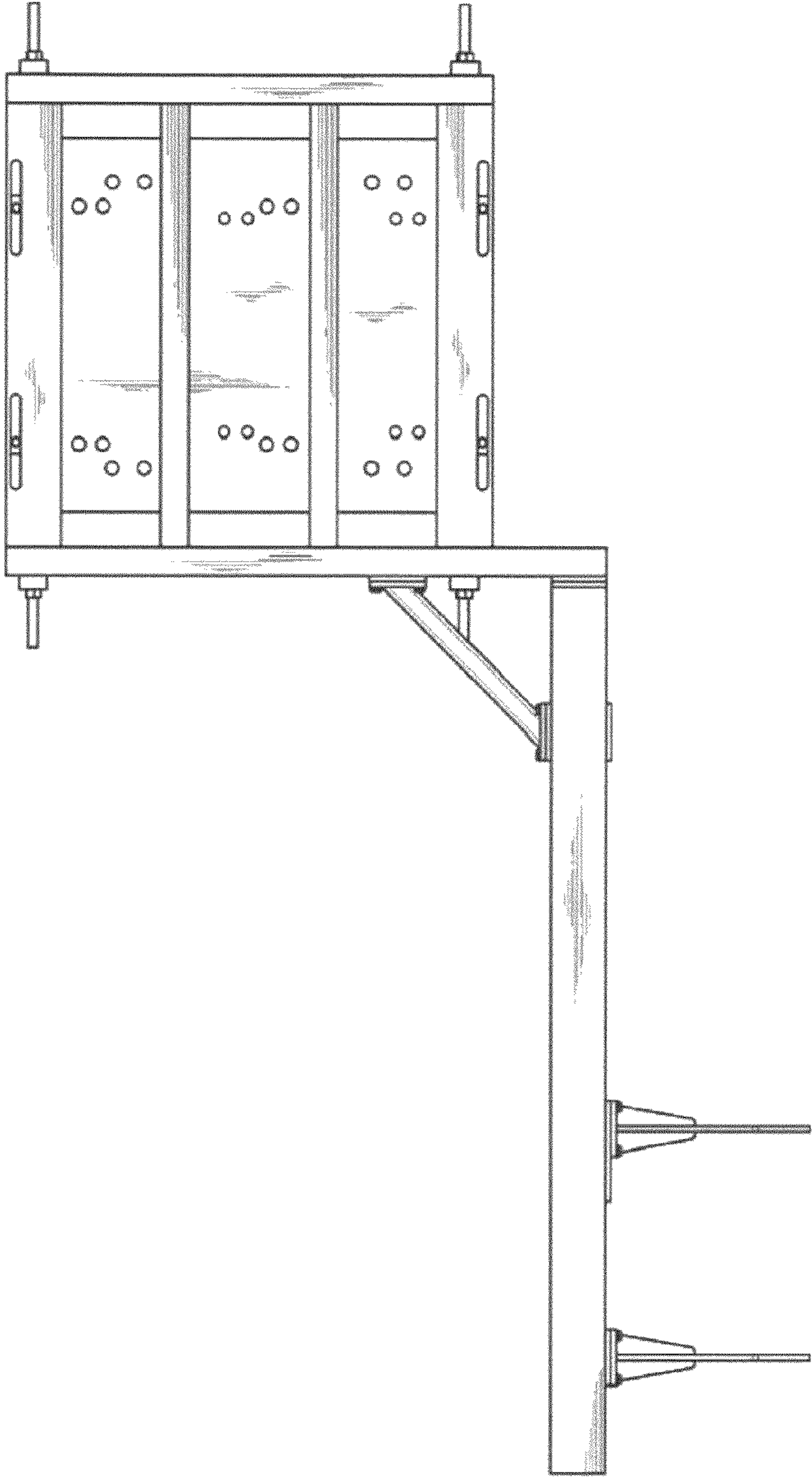


FIG. 5

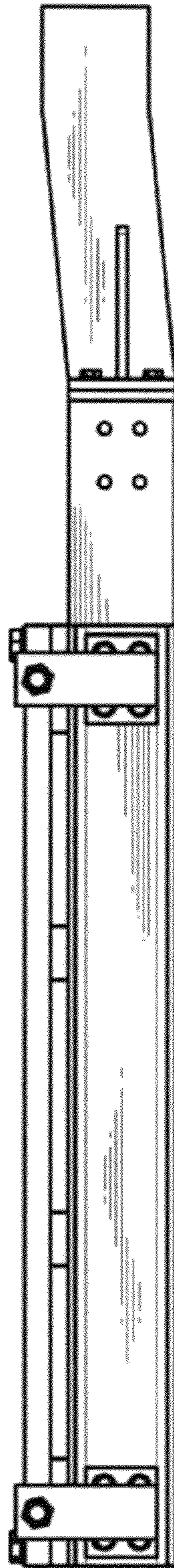


FIG. 6

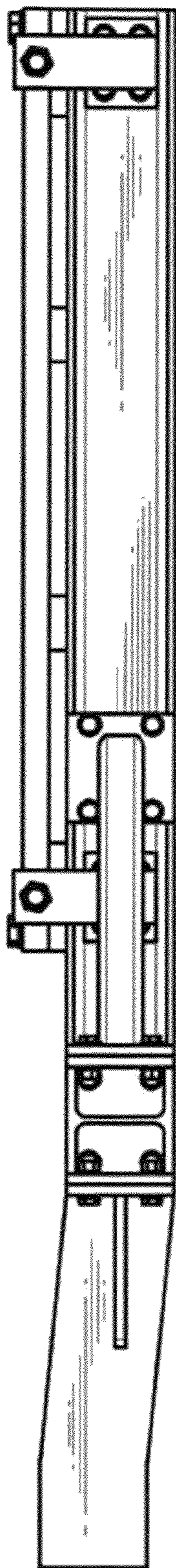


FIG. 7