



US00D734788S

(12) **United States Design Patent**
Reches et al.

(10) **Patent No.:** **US D734,788 S**
(45) **Date of Patent:** **** Jul. 21, 2015**

- (54) **THREE-DIMENSIONAL PRINTER**
- (71) Applicant: **Formlabs, Inc.**, Somerville, MA (US)
- (72) Inventors: **Yoav Reches**, London (GB); **Jason Livingston**, Somerville, MA (US); **Ian Ferguson**, Cambridge, MA (US); **David Cranor**, Cambridge, MA (US); **Maxim Lobovsky**, Cambridge, MA (US); **Natan Linder**, Cambridge, MA (US)
- (73) Assignee: **Formlabs, Inc.**, Somerville, MA (US)
- (**) Term: **14 Years**
- (21) Appl. No.: **29/512,380**
- (22) Filed: **Dec. 18, 2014**

Related U.S. Application Data

- (63) Continuation of application No. 29/448,719, filed on Mar. 13, 2013, now Pat. No. Des. 722,108.
- (51) **LOC (10) Cl.** **15-09**
- (52) **U.S. Cl.**
USPC **D15/122**
- (58) **Field of Classification Search**
USPC D15/122, 135, 138; D18/50, 54, 54.1, D18/55; 101/38.1; 118/46; 264/112-113, 264/308, 401, 497, 642; 425/162, 173, 375
See application file for complete search history.

References Cited

U.S. PATENT DOCUMENTS

- D420,371 S * 2/2000 Strong et al. D15/135
- D501,502 S * 2/2005 Scully et al. D18/50

- 6,960,259 B2 * 11/2005 Takekoshi et al. 118/46
- D565,648 S * 4/2008 Egami D18/50
- D677,723 S * 3/2013 Buel et al. D18/59
- D688,741 S * 8/2013 Joyce D18/50
- D711,463 S * 8/2014 Costabeber D18/50
- 2010/0043698 A1 * 2/2010 Bolt 118/46

* cited by examiner

Primary Examiner — Cathy A MacCormac

(74) *Attorney, Agent, or Firm* — Wolf, Greenfield & Sacks, P.C.

(57) **CLAIM**

The ornamental design for a three-dimensional printer, substantially as shown.

DESCRIPTION

FIG. 1 is a top, front, right side perspective view of a three-dimensional printer showing a first embodiment of our design;

FIG. 2 is a front view thereof;

FIG. 3 is a back view thereof;

FIG. 4 is a left-side view thereof;

FIG. 5 is a right-side view thereof;

FIG. 6 is a top view thereof;

FIG. 7 is a bottom view thereof;

FIG. 8 is a top, front, right side perspective view showing a second embodiment thereof;

FIG. 9 is a front view of FIG. 8;

FIG. 10 is a back view of FIG. 8;

FIG. 11 is a left-side view of FIG. 8;

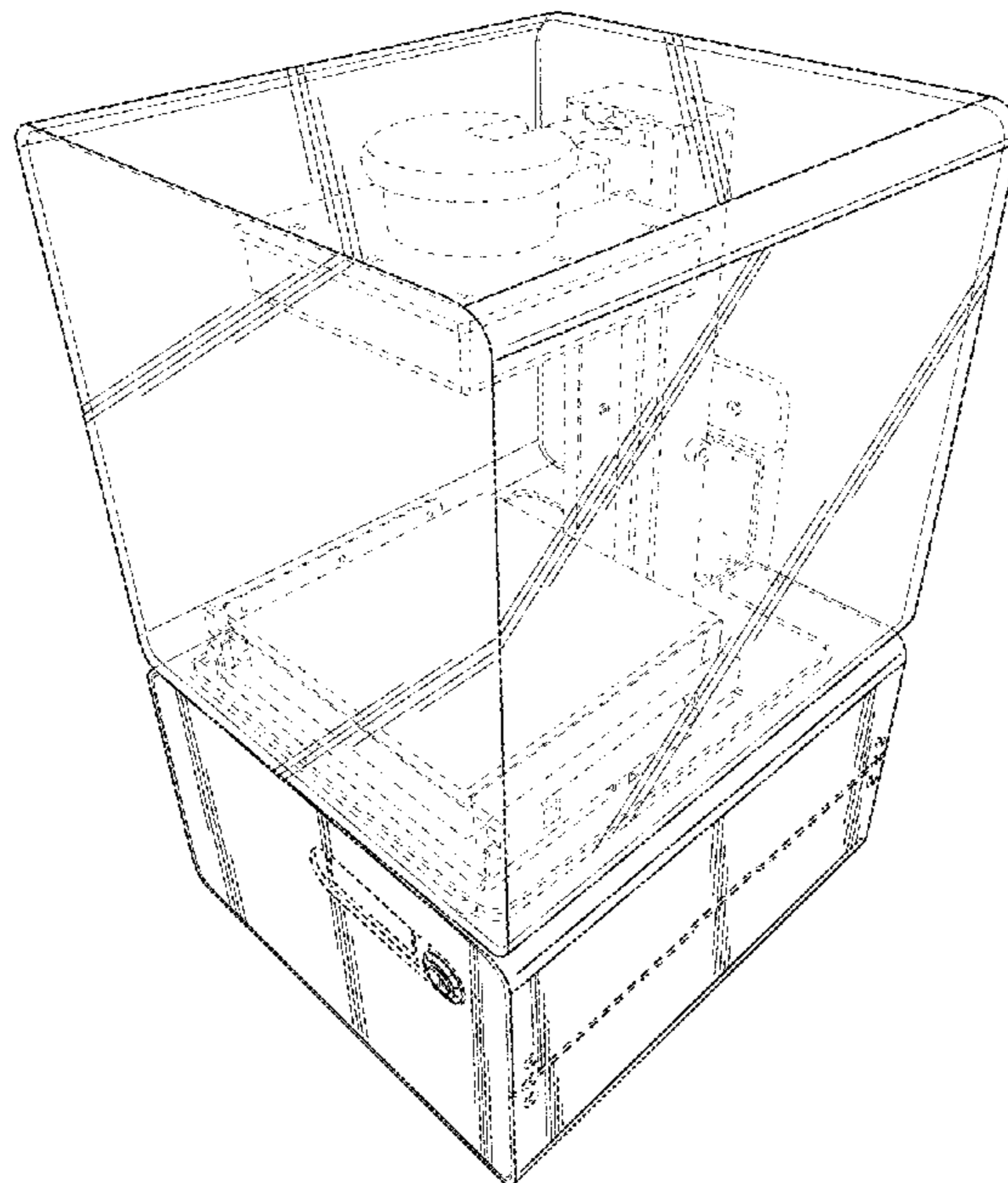
FIG. 12 is a right-side view of FIG. 8;

FIG. 13 is a top view of FIG. 8; and,

FIG. 14 is a bottom view of FIG. 8.

The broken lines illustrate portions of the three-dimensional printer that form no part of the claimed design.

1 Claim, 14 Drawing Sheets



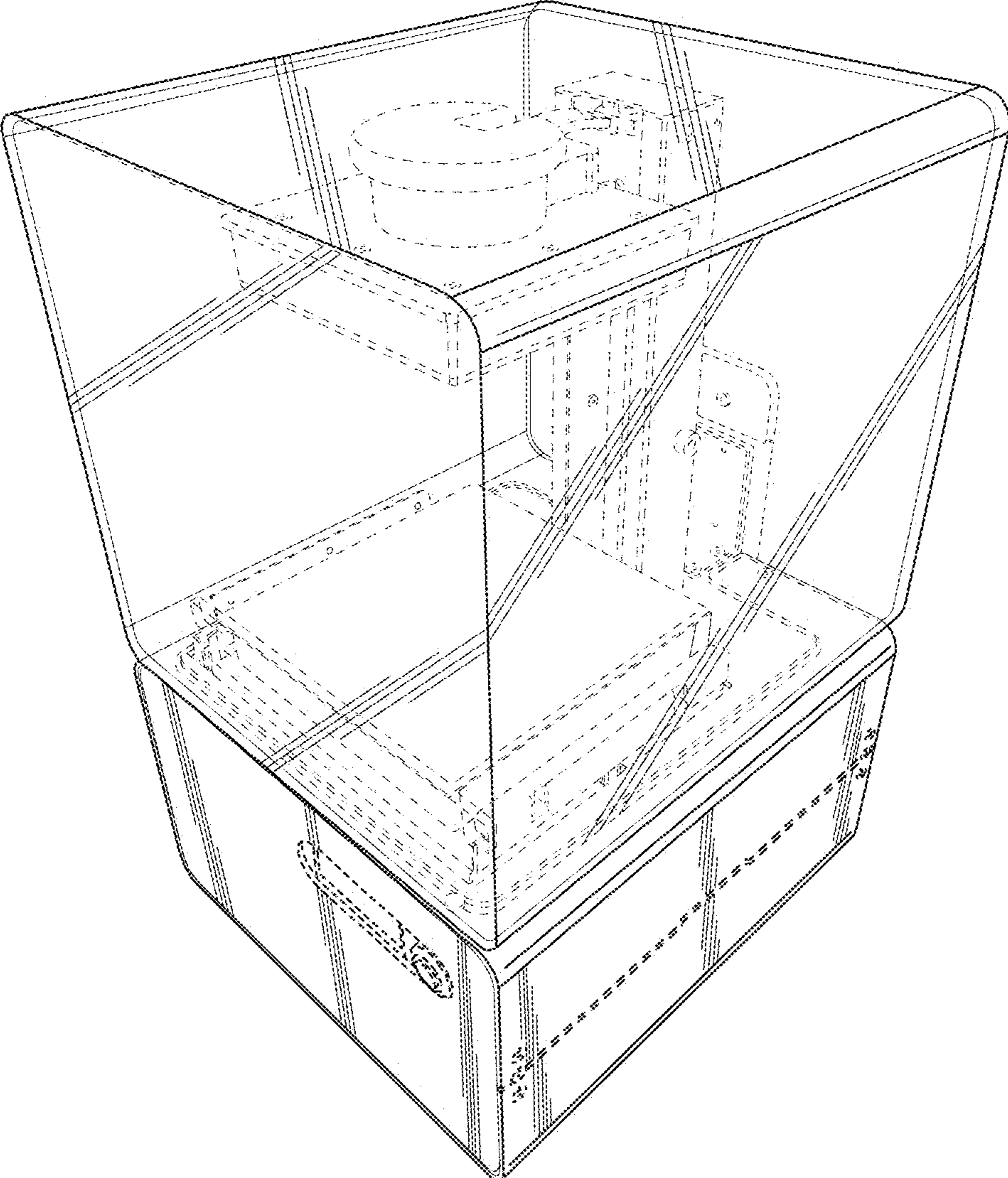


FIG. 1

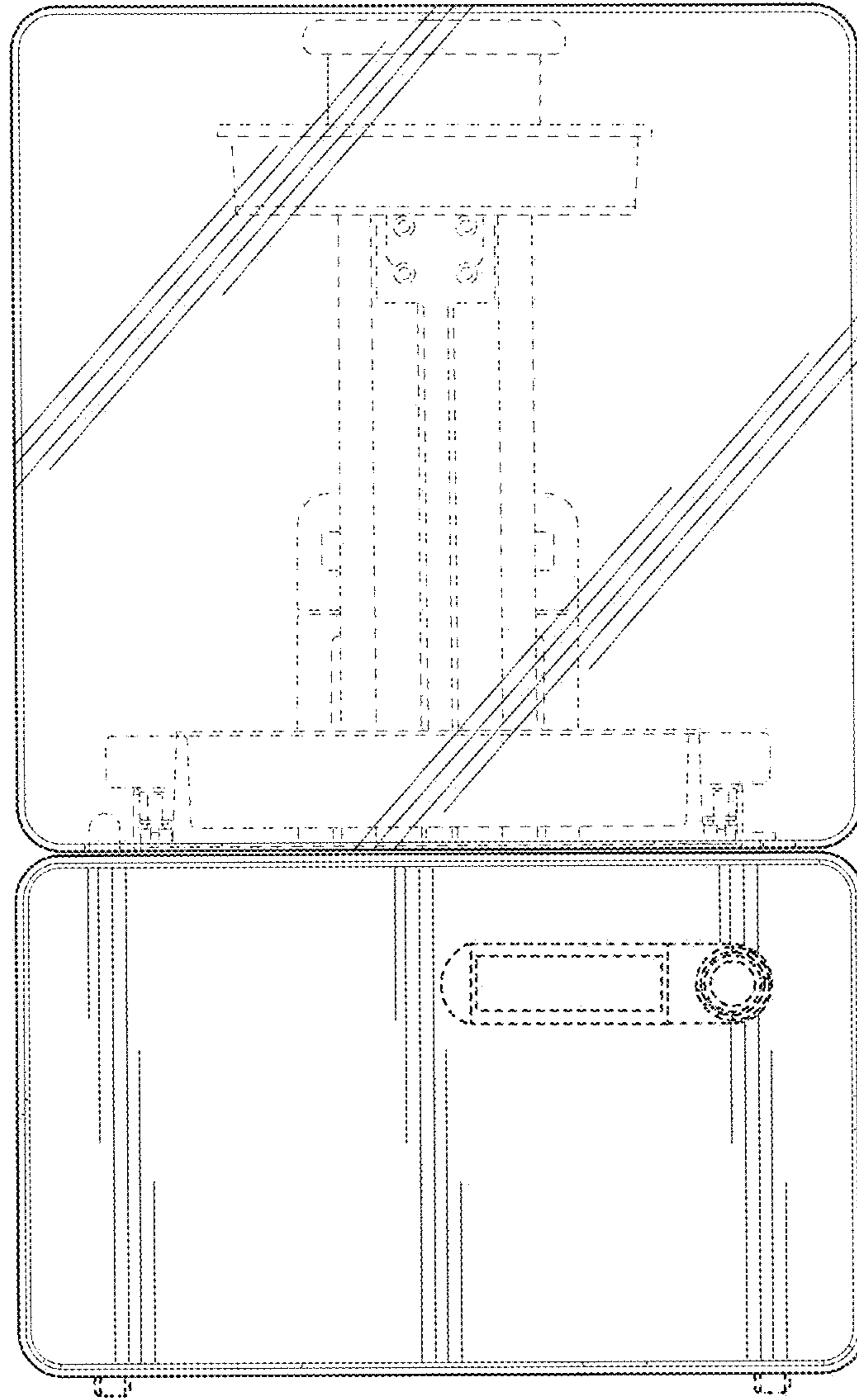


FIG. 2

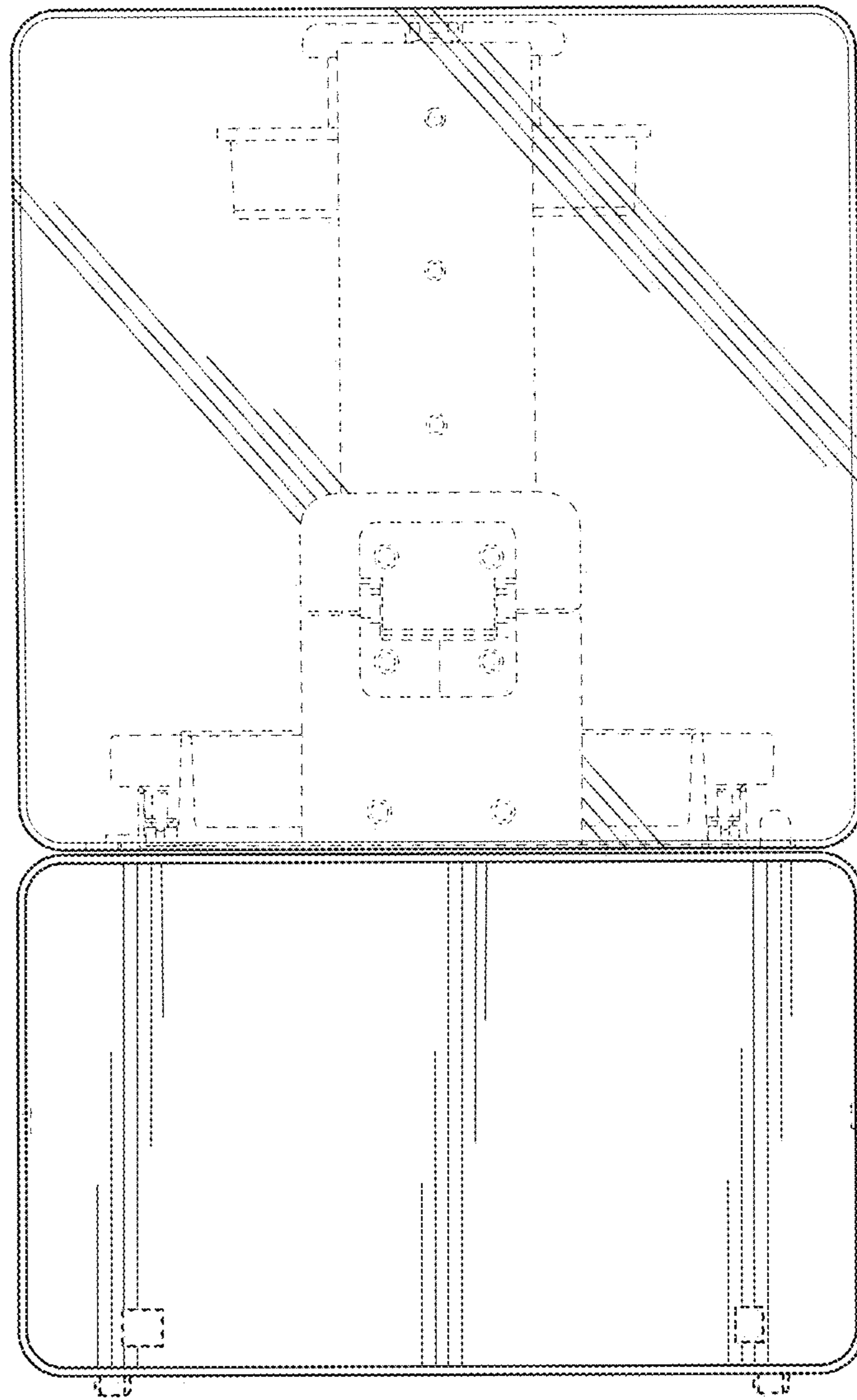


FIG. 3

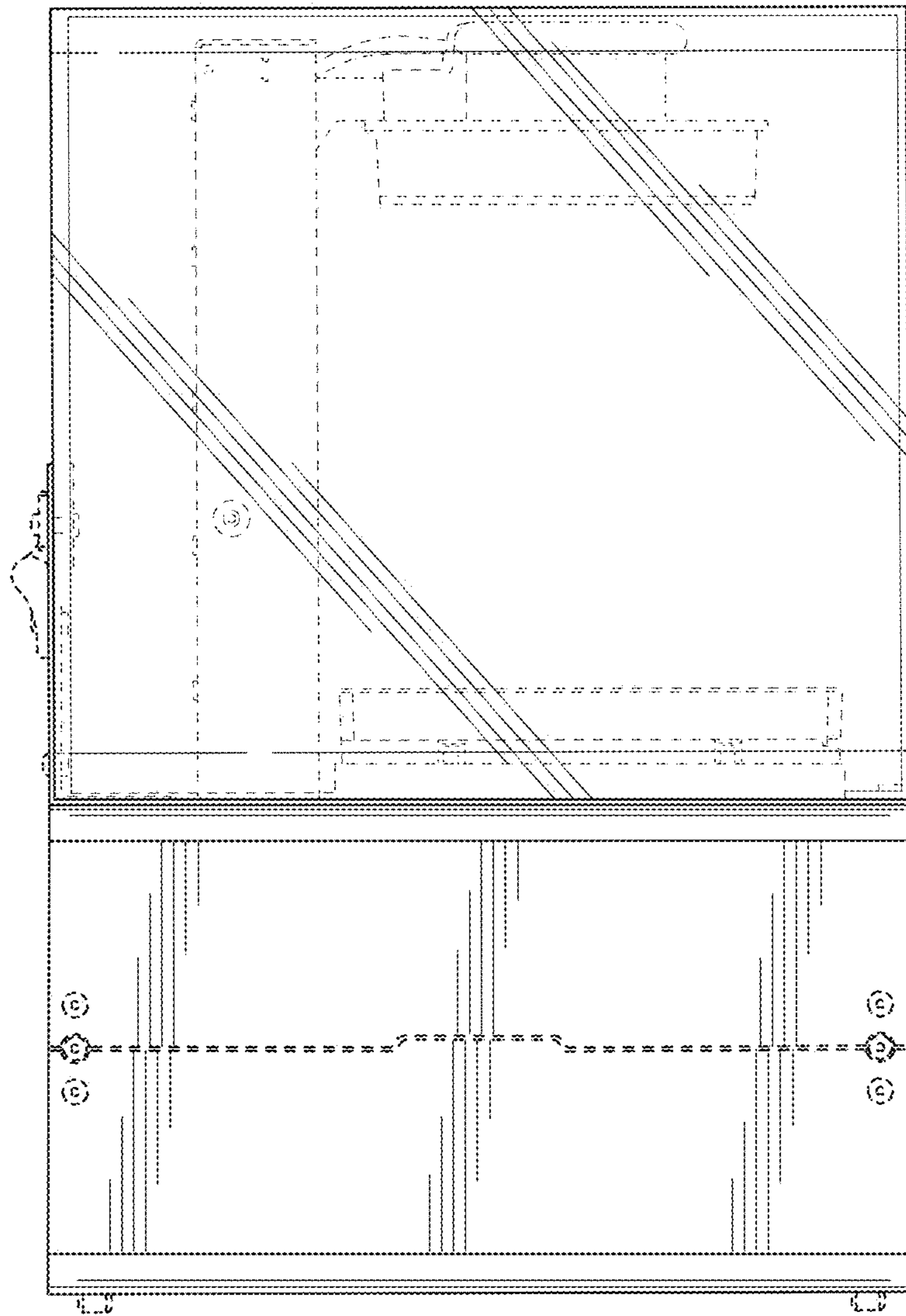


FIG. 4

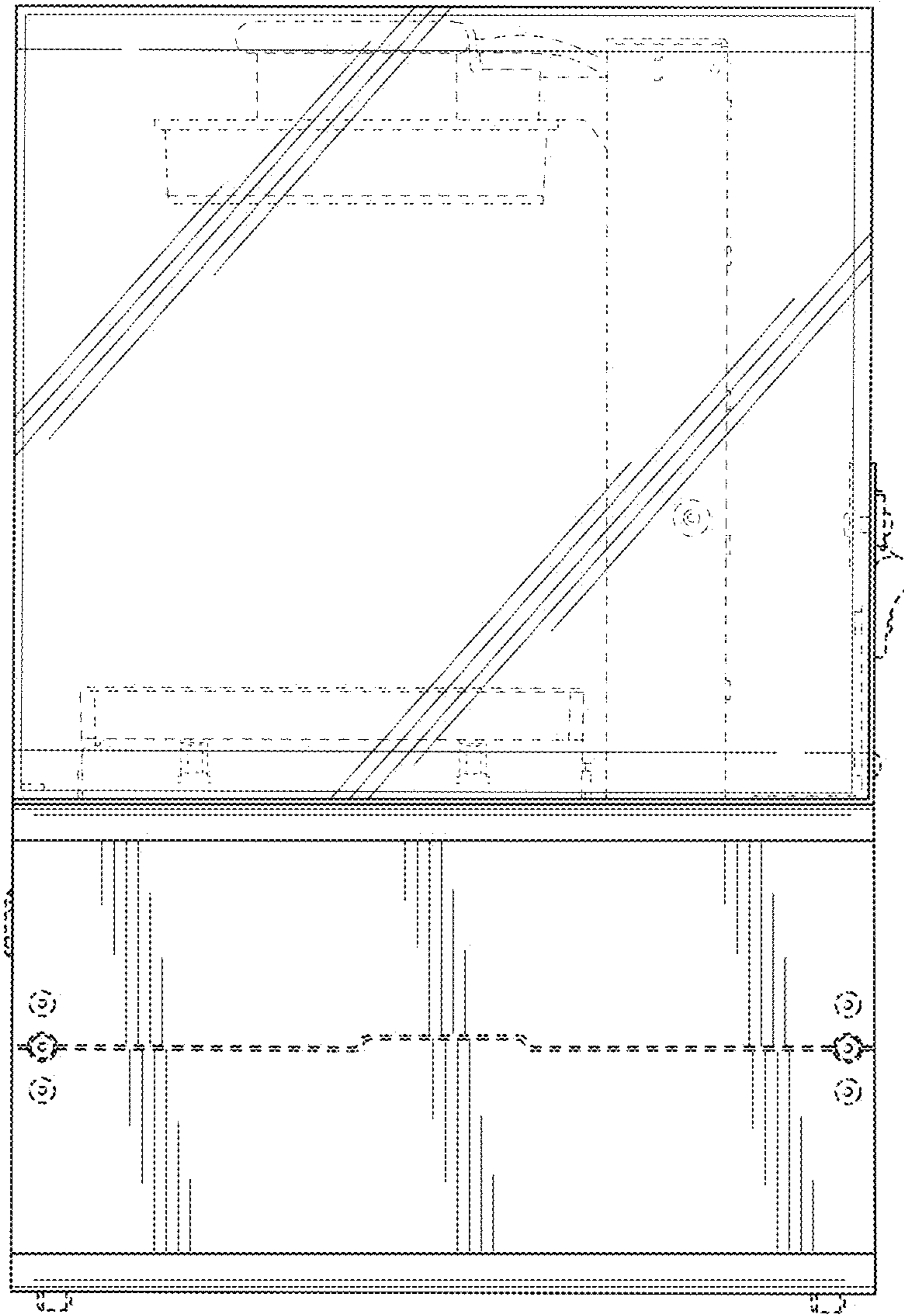


FIG. 5

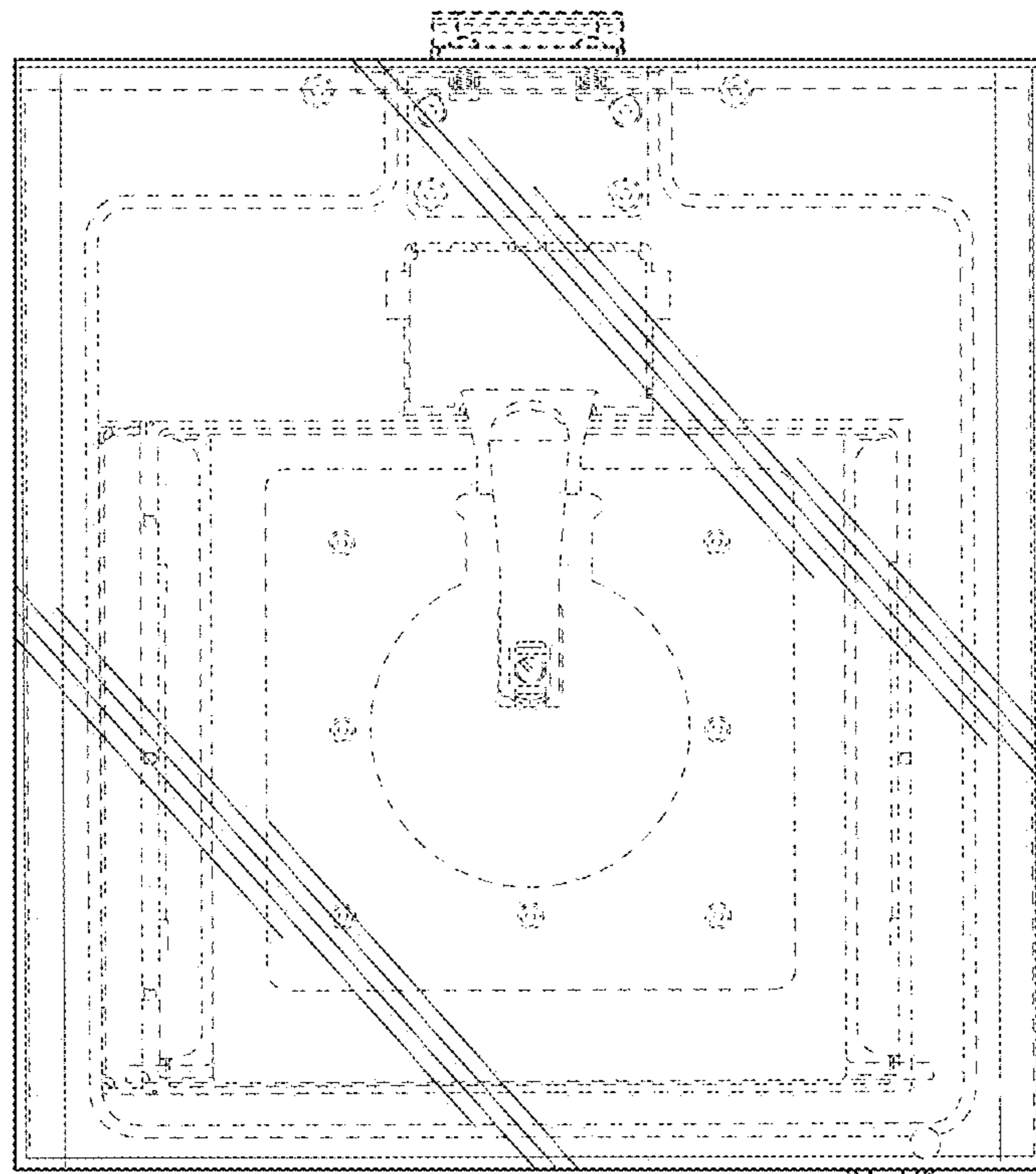


FIG. 6

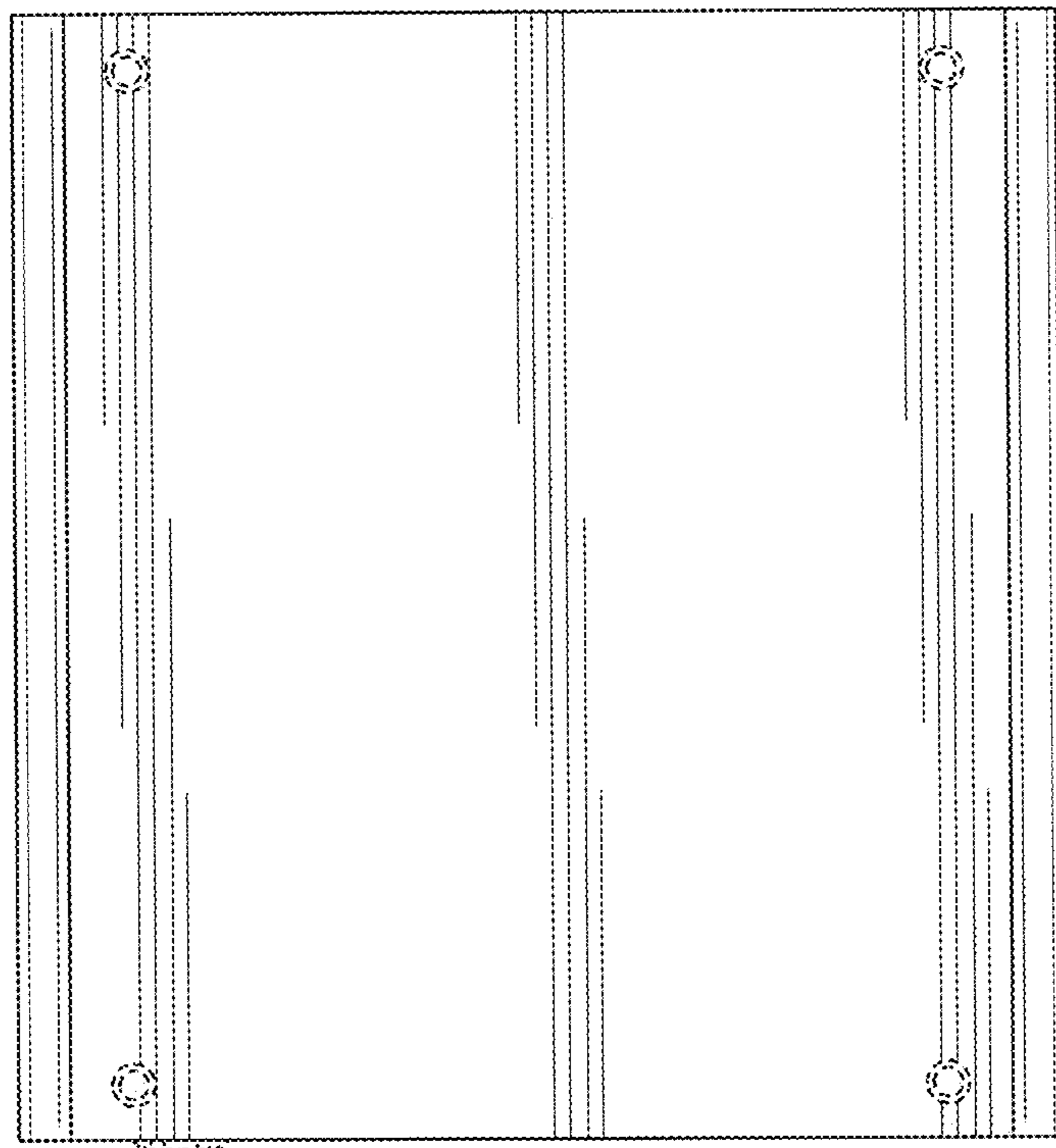


FIG. 7

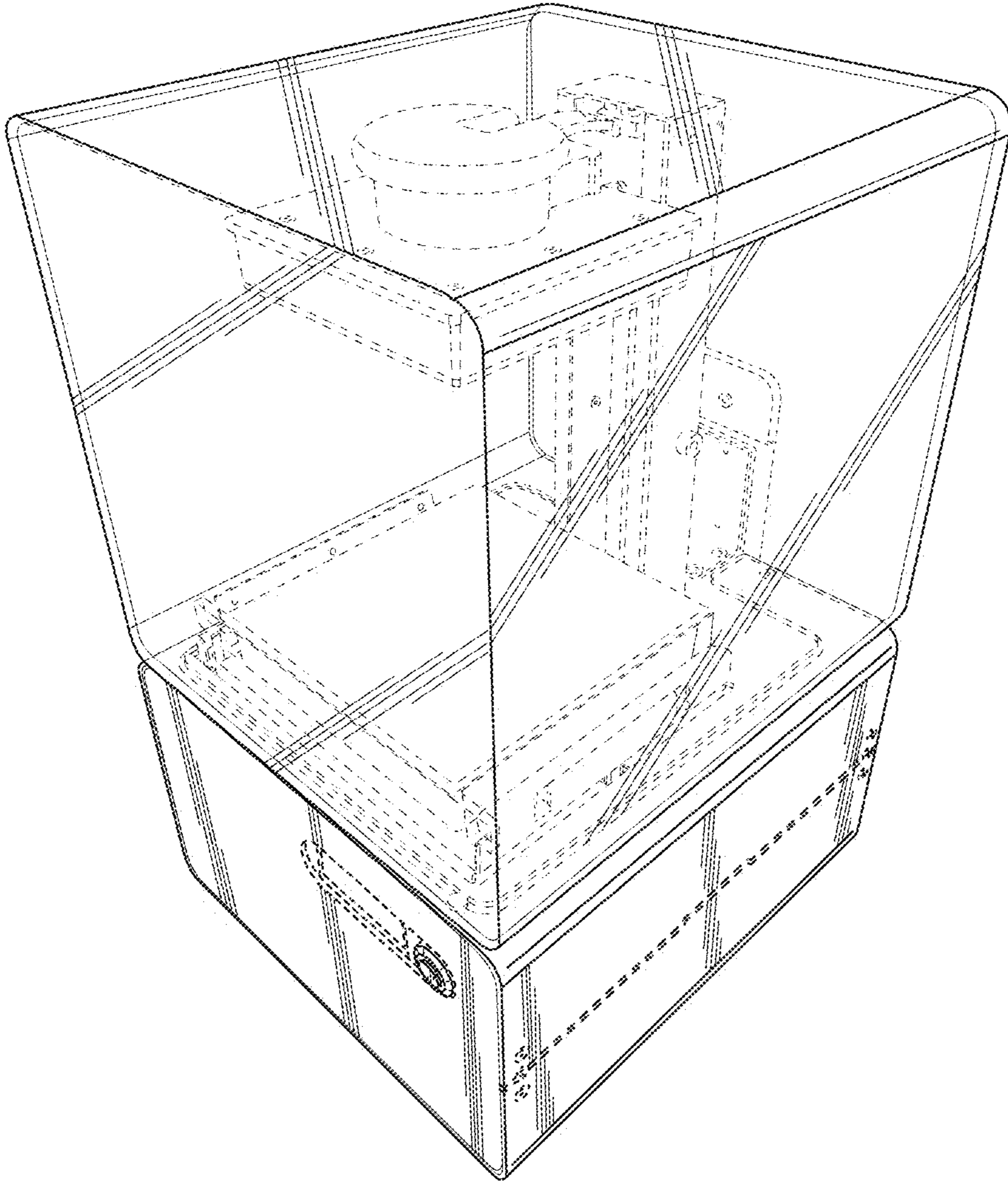


FIG. 8

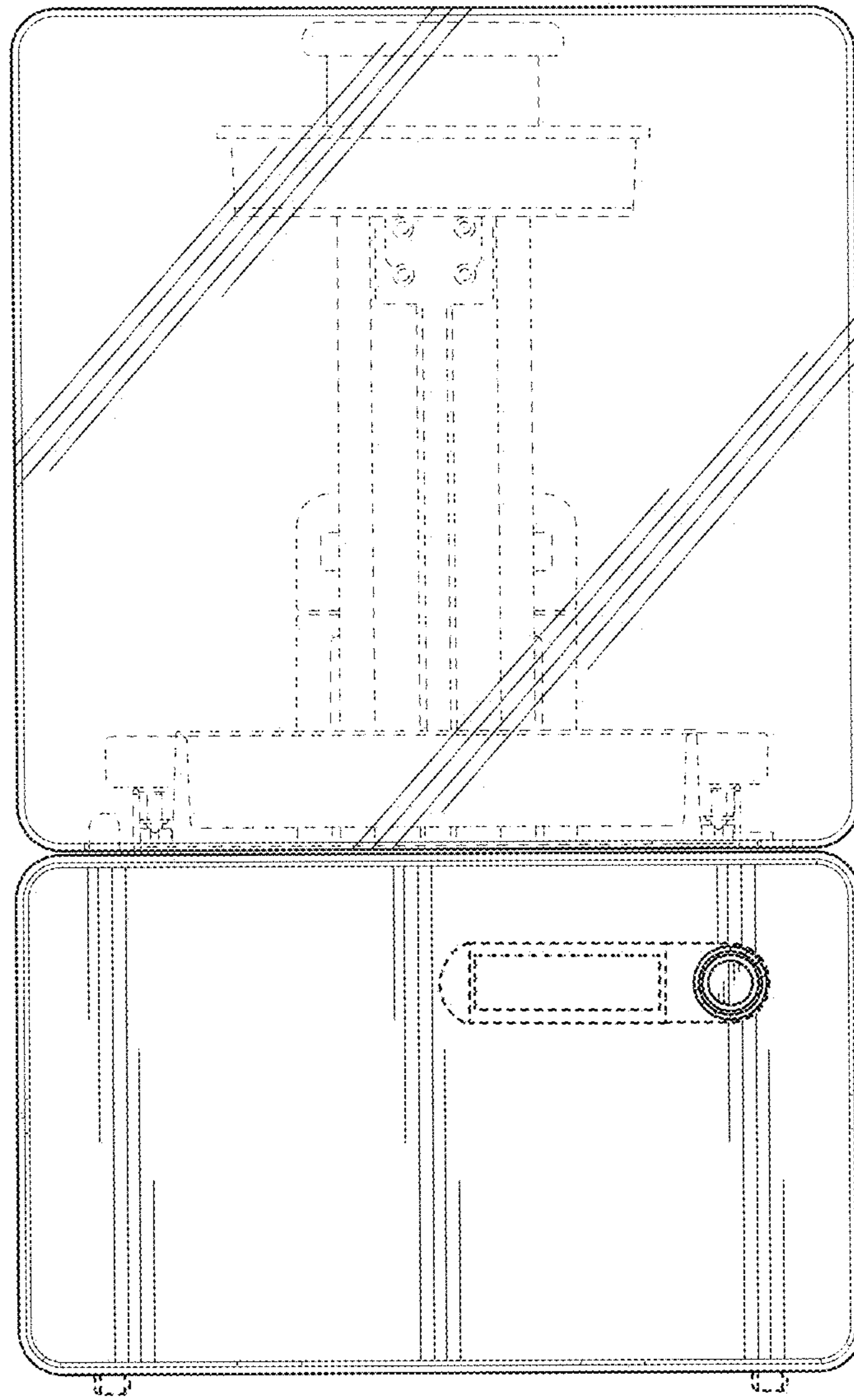


FIG. 9

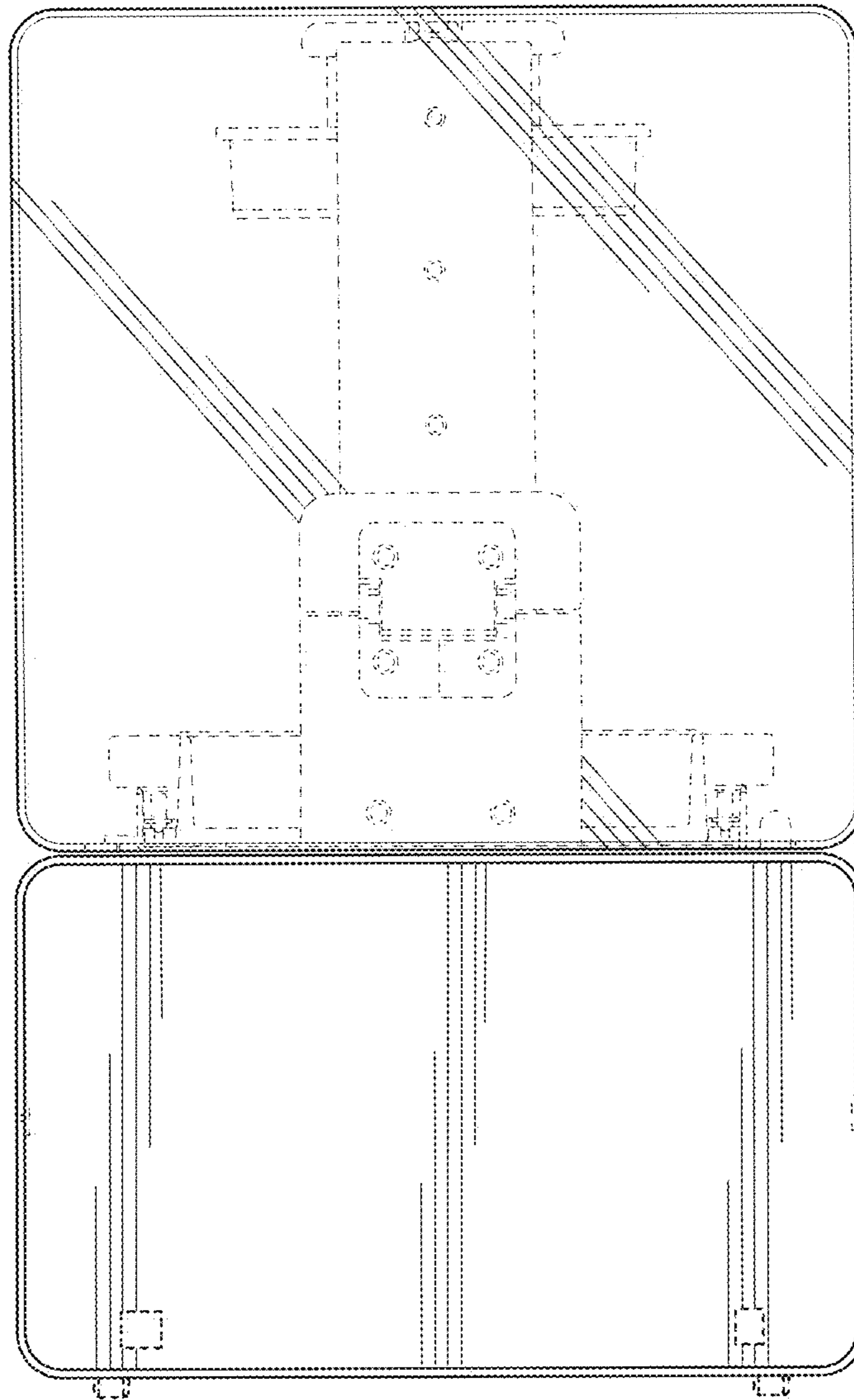


FIG. 10

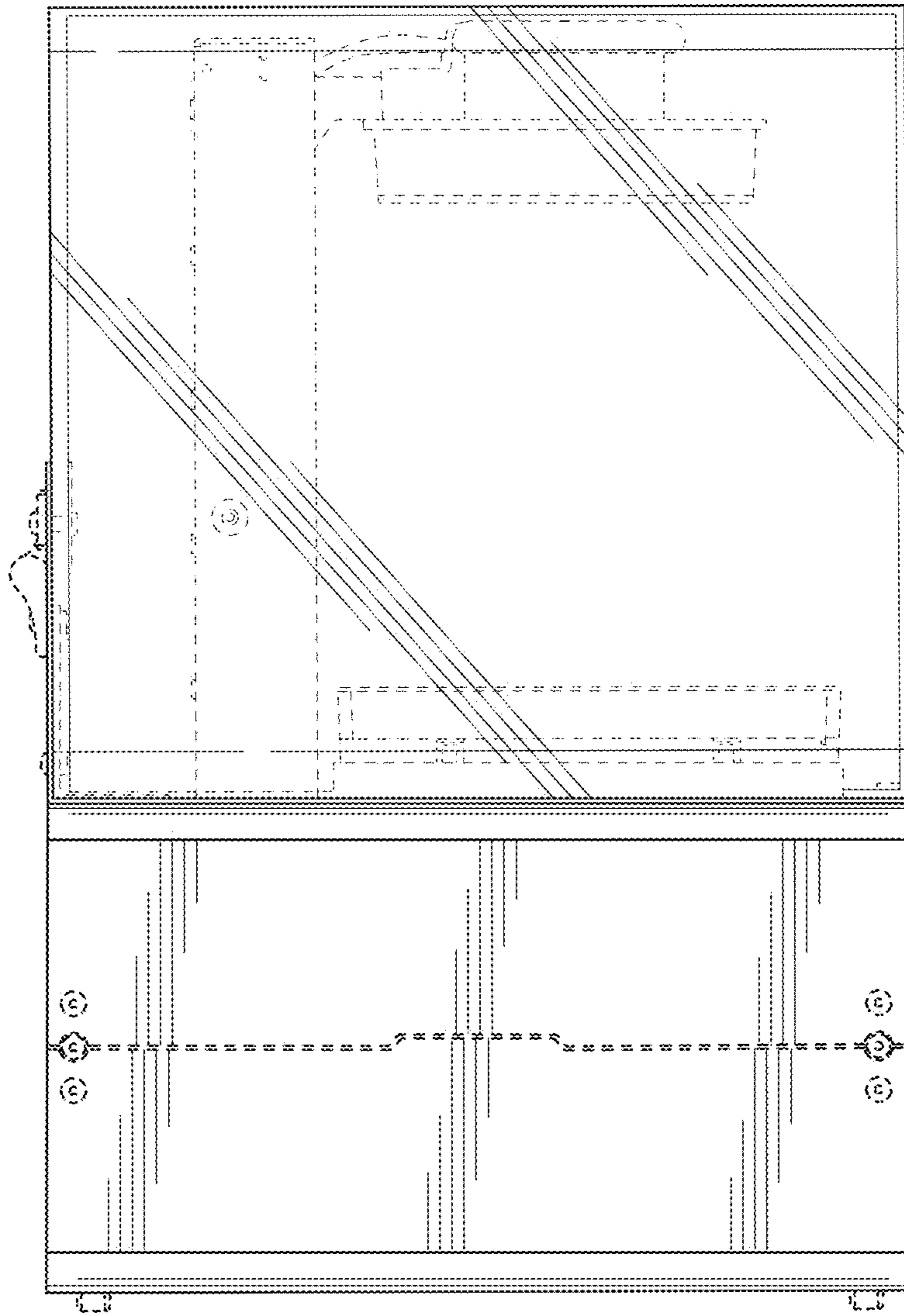


FIG. 11

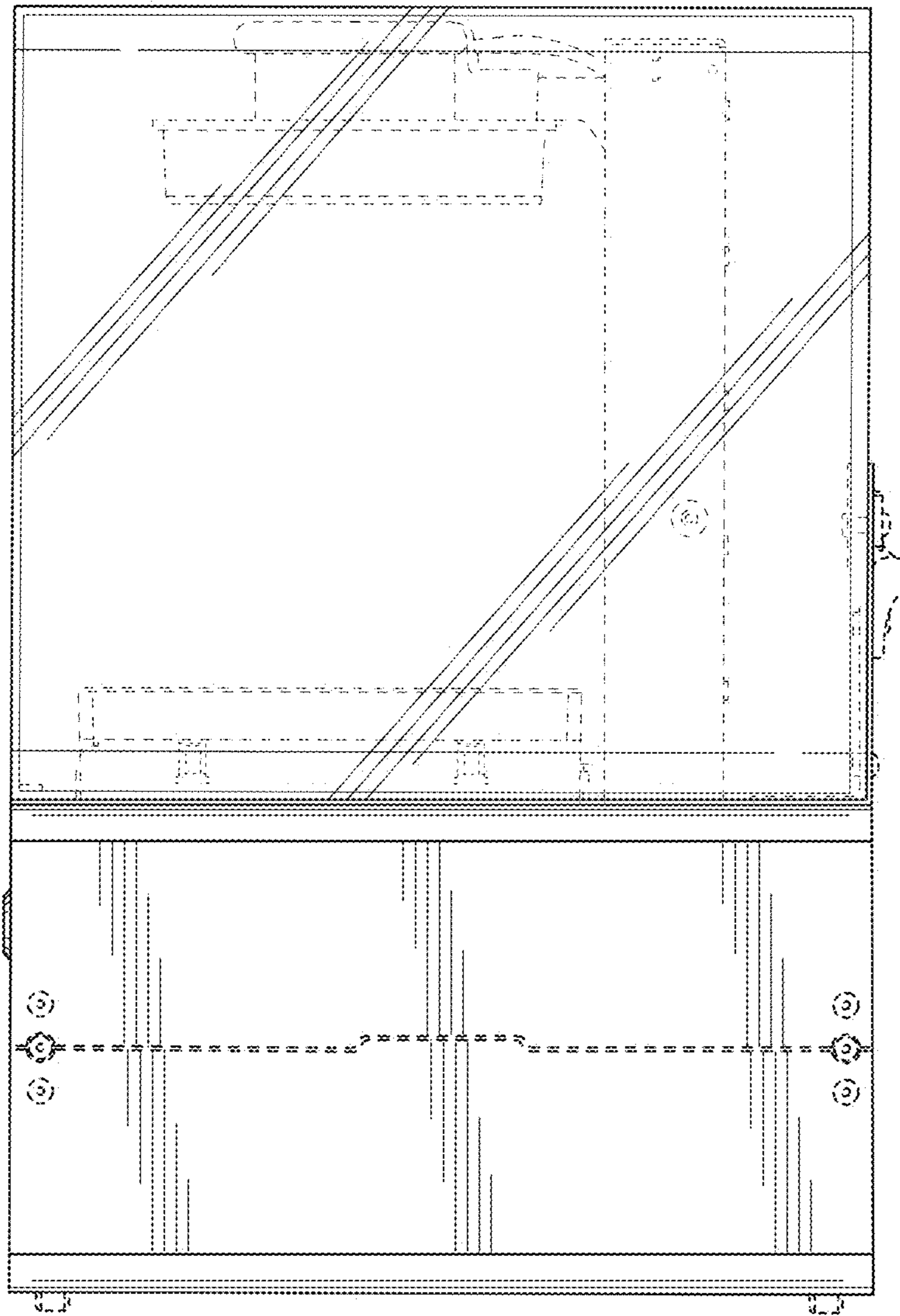


FIG. 12

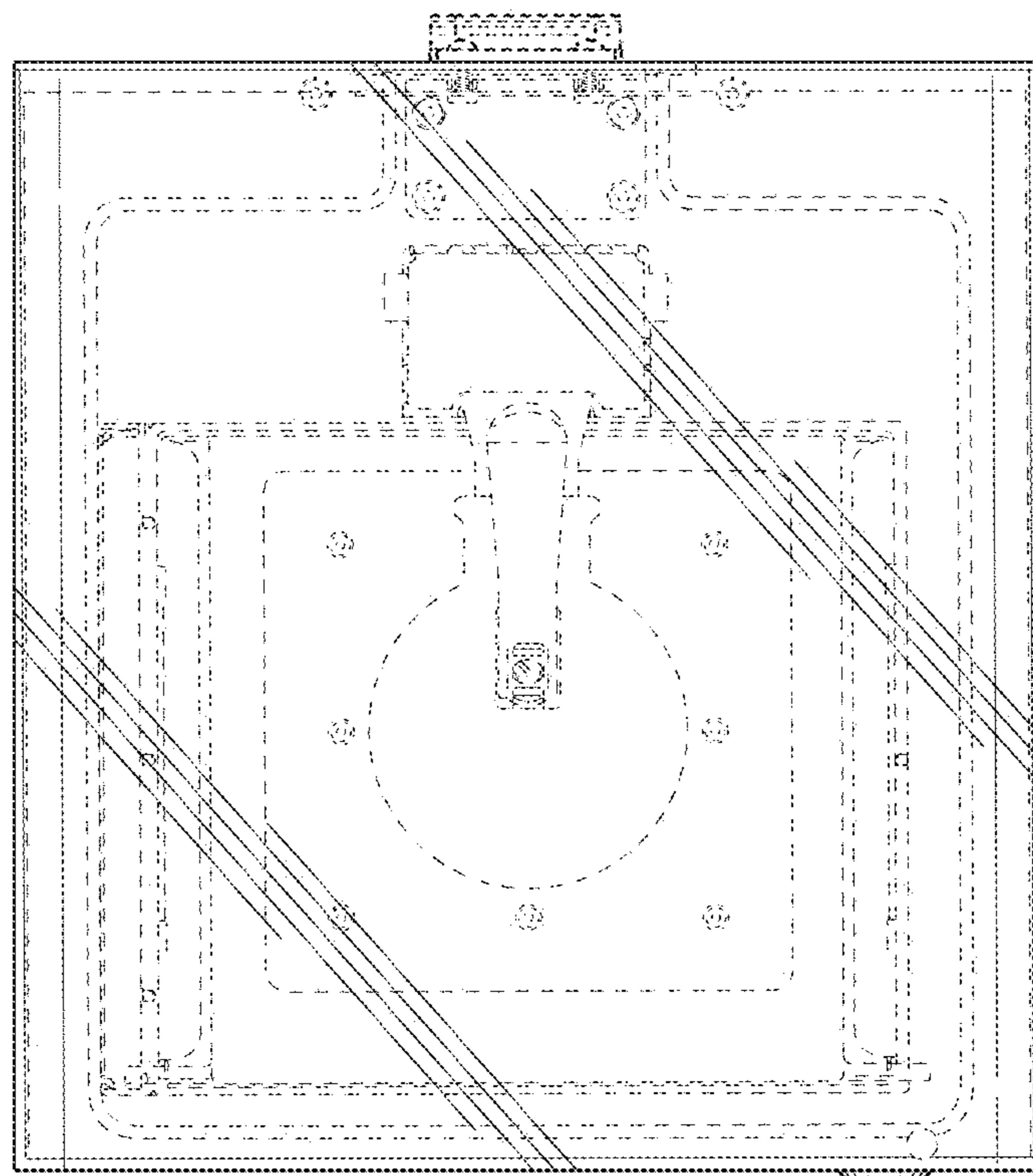


FIG. 13

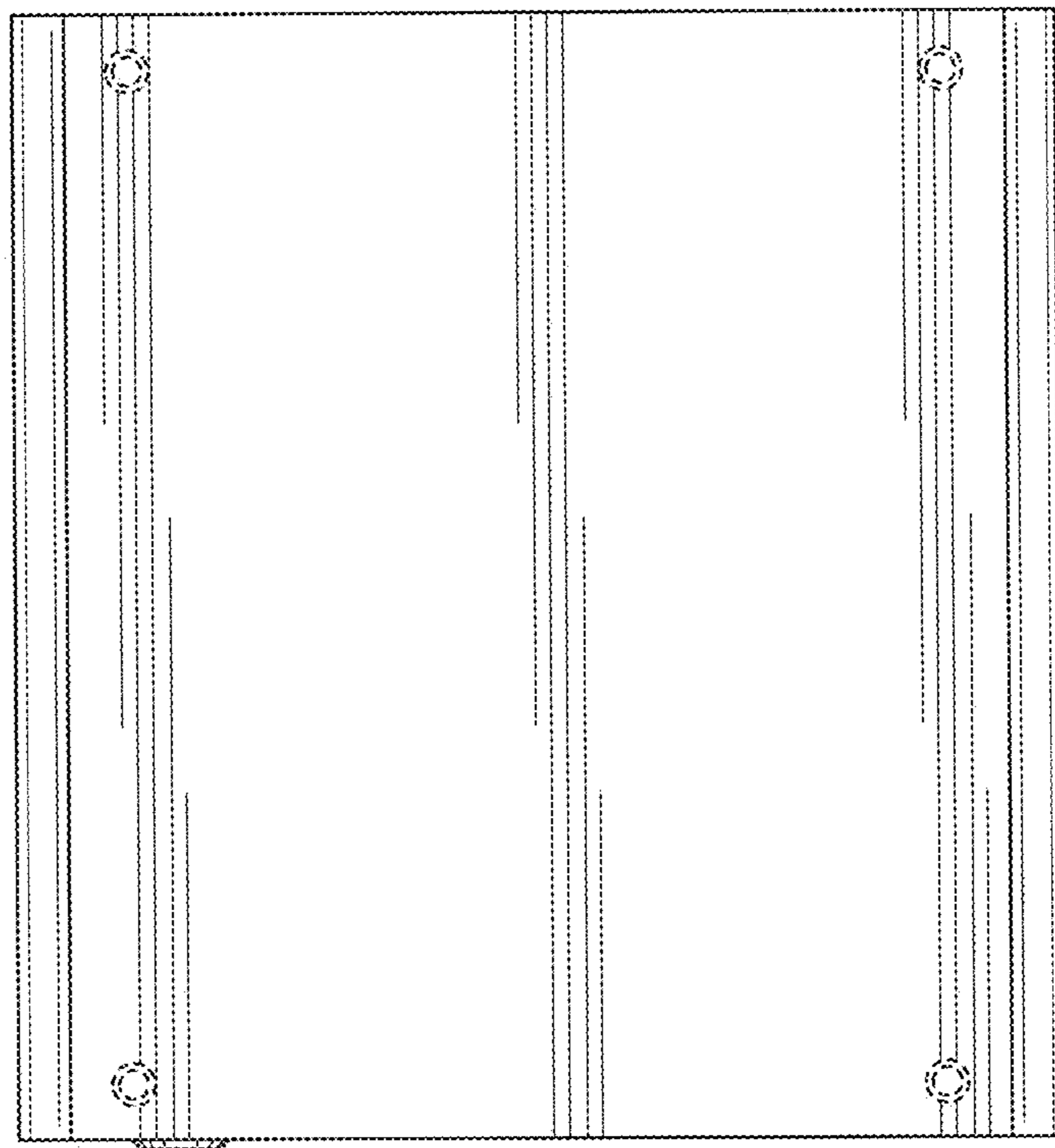


FIG. 14