



US00D734787S

(12) **United States Design Patent**
Schönherr et al.

(10) **Patent No.:** **US D734,787 S**

(45) **Date of Patent:** **** *Jul. 21, 2015**

(54) **MACHINE TOOL**

(71) Applicant: **TRUMPF GmbH + Co. KG**, Ditzingen (DE)

(72) Inventors: **Tom Schönherr**, Stuttgart (DE);
Andreas Diefenbach, Ditzingen (DE)

(73) Assignee: **TRUMPF GmbH + Co. KG**, Ditzingen (DE)

(*) Notice: This patent is subject to a terminal disclaimer.

(**) Term: **14 Years**

(21) Appl. No.: **29/488,603**

(22) Filed: **Apr. 22, 2014**

(30) **Foreign Application Priority Data**

Oct. 31, 2013 (EM) 002336230-0006

(51) **LOC (10) Cl.** **15-09**

(52) **U.S. Cl.**
USPC **D15/122**

(58) **Field of Classification Search**
USPC D15/122, 124, 127, 128, 130, 131;
29/30, 39, 50, 563-566, 564.1-564.8;
483/17-57

See application file for complete search history.

(56) **References Cited**

U.S. PATENT DOCUMENTS

D266,520 S	10/1982	Engel	
4,443,929 A	4/1984	Bayer et al.	
D319,834 S	9/1991	Rutschle	
5,367,754 A *	11/1994	Sheehan et al.	29/27 C
D388,103 S	12/1997	Gotou et al.	
D399,221 S	10/1998	Schwartz	
D445,807 S	7/2001	Baulk	
D489,077 S *	4/2004	Bloch	D15/127

D495,723 S	9/2004	Kawamura et al.
7,013,543 B2	3/2006	Iwabuchi et al.
D548,754 S	8/2007	Itabashi et al.
D548,755 S	8/2007	Takeshima et al.
D559,871 S	1/2008	Kittaka et al.
D567,263 S	4/2008	Sugihara et al.
D578,144 S	10/2008	Arisue et al.
D614,210 S	4/2010	Basler et al.
D620,508 S	7/2010	Jacquet et al.
D635,596 S	4/2011	Hiroshima et al.
D636,796 S	4/2011	Hiroshima et al.

(Continued)

FOREIGN PATENT DOCUMENTS

EM	000974191-0001	11/2008
EM	000974191-0002	11/2008

(Continued)

OTHER PUBLICATIONS

Images at pp. 6-9 of "TruBend: Mehr Freiheit beim Biegen", published by TRUMPF Werkzeugmaschinen/Elektrowerkzeuge, Identification No. 0372725-20-11-11-F, Nov. 2011.

Primary Examiner — Patricia Palasik

(74) *Attorney, Agent, or Firm* — Fish & Richardson P.C.

(57) **CLAIM**

I claim the ornamental design for a machine tool, as shown and described.

DESCRIPTION

FIG. 1 is a front perspective view of the machine showing my new design;

FIG. 2 is a front elevation view thereof;

FIG. 3 is a back elevation view thereof

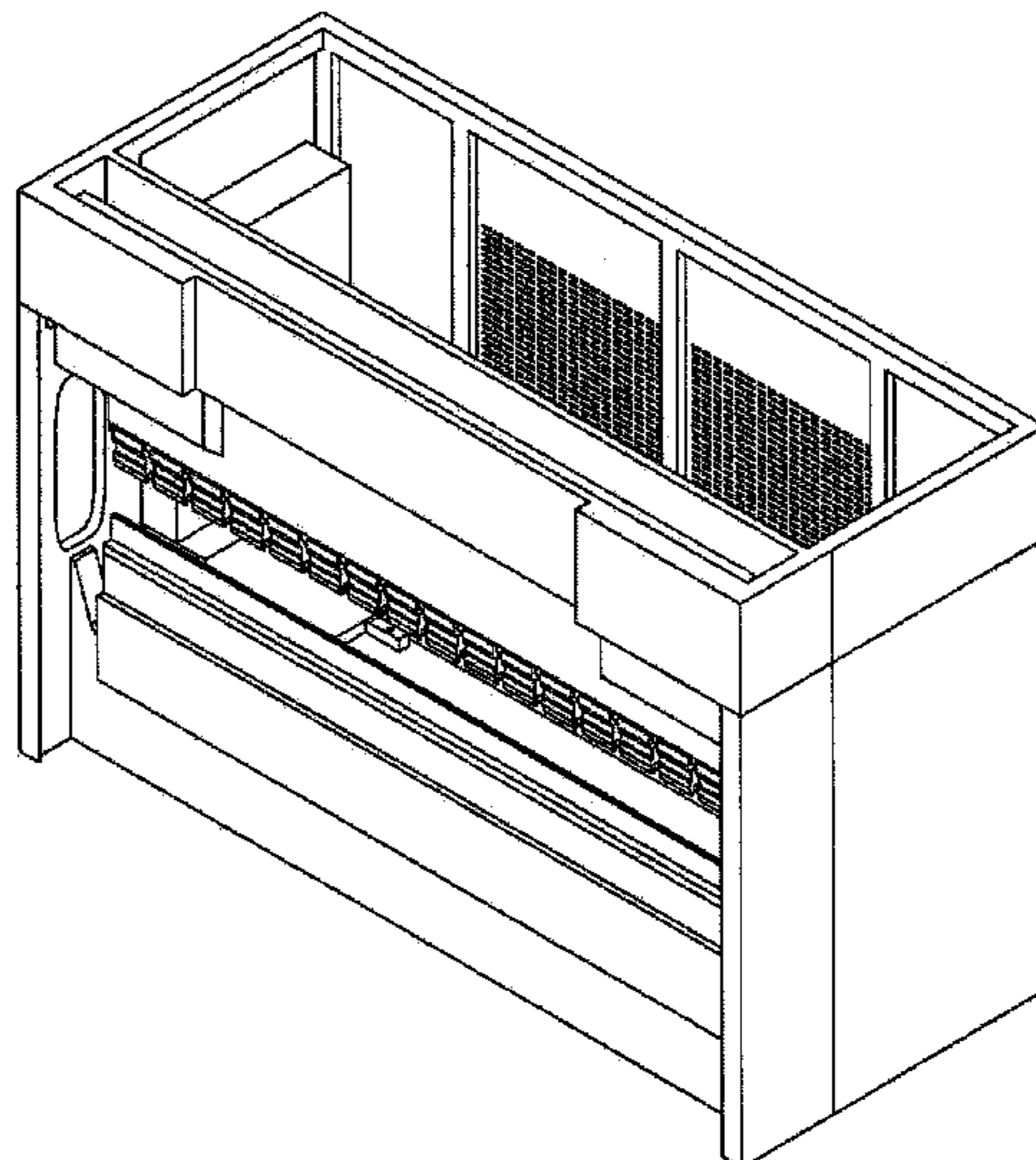
FIG. 4 is a right side view thereof;

FIG. 5 is a left side view thereof;

FIG. 6 is a top plan view thereof; and,

FIG. 7 is a bottom plan view thereof.

1 Claim, 7 Drawing Sheets



(56)

References Cited

FOREIGN PATENT DOCUMENTS

U.S. PATENT DOCUMENTS

D637,631 S	5/2011	Hiroshima et al.	
D644,570 S	9/2011	Chuang	
D649,173 S	11/2011	Bruce et al.	
D649,174 S	11/2011	Schindler	
D649,567 S	11/2011	Schindler	
D654,099 S	2/2012	Schindler et al.	
D654,518 S	2/2012	Miyake et al.	
D658,686 S	5/2012	Mueller	
D659,728 S	5/2012	Mueller	
D667,031 S	9/2012	Mueller	
D667,032 S	9/2012	Egami	
D676,882 S	2/2013	Mueller	
D680,563 S	4/2013	Yang et al.	
D694,787 S *	12/2013	Mueller	D15/122
D718,795 S *	12/2014	Schonherr et al.	D15/122
2013/0061726 A1 *	3/2013	Katsu et al.	82/1.11

EM	000974191-0003	11/2008
EM	000974191-0004	11/2008
EM	000974191-0005	11/2008
EM	000974191-0006	11/2008
EM	000974191-0007	11/2008
EM	000974191-0008	11/2008
EM	000974191-0009	11/2008
EM	000974191-0010	11/2008
EM	000974191-0011	11/2008
EM	000974191-0012	11/2008
EM	000974191-0013	11/2008
EM	000974191-0014	11/2008
EM	000974191-0015	11/2008
EM	000974191-0016	11/2008

* cited by examiner

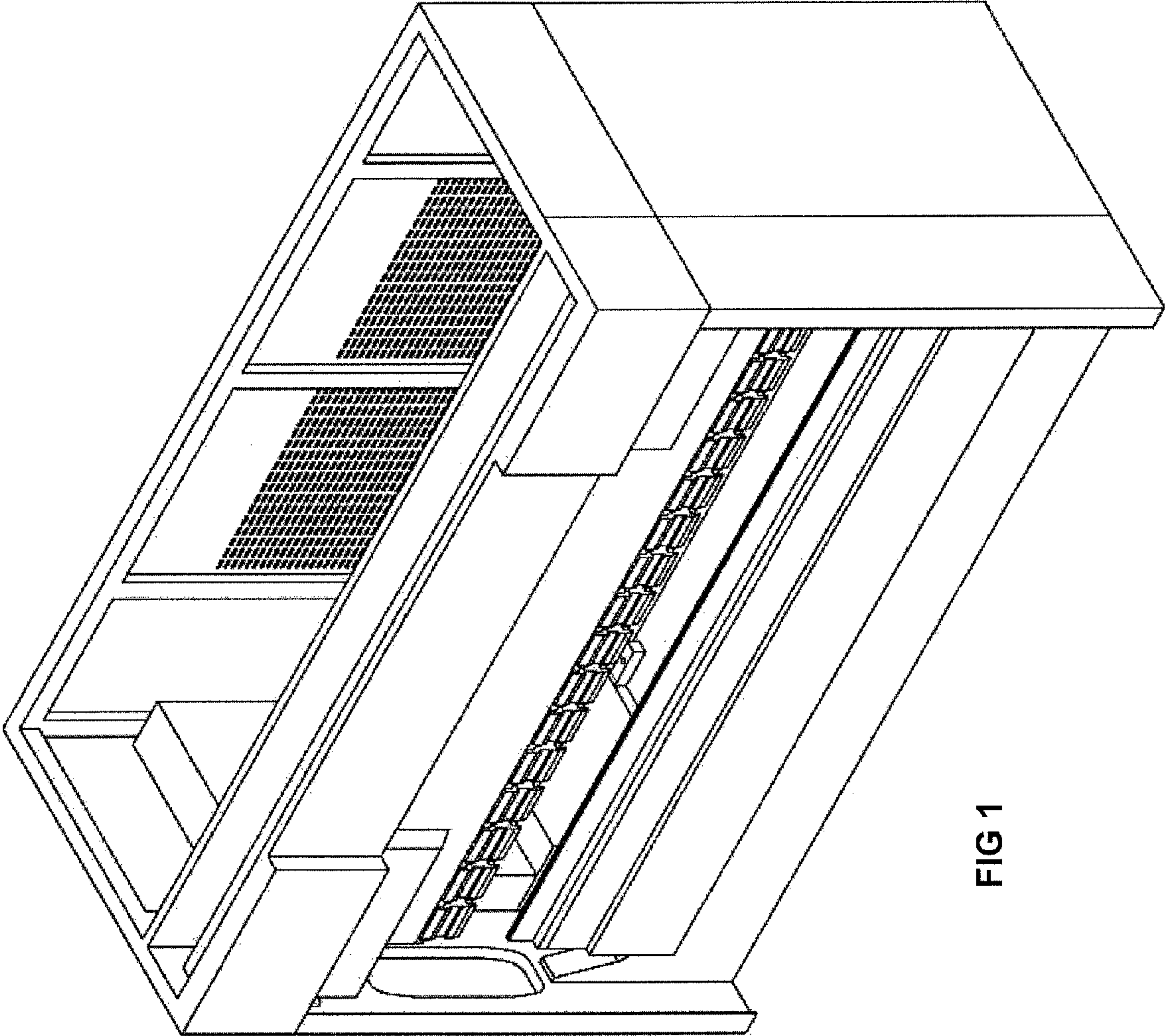


FIG 1

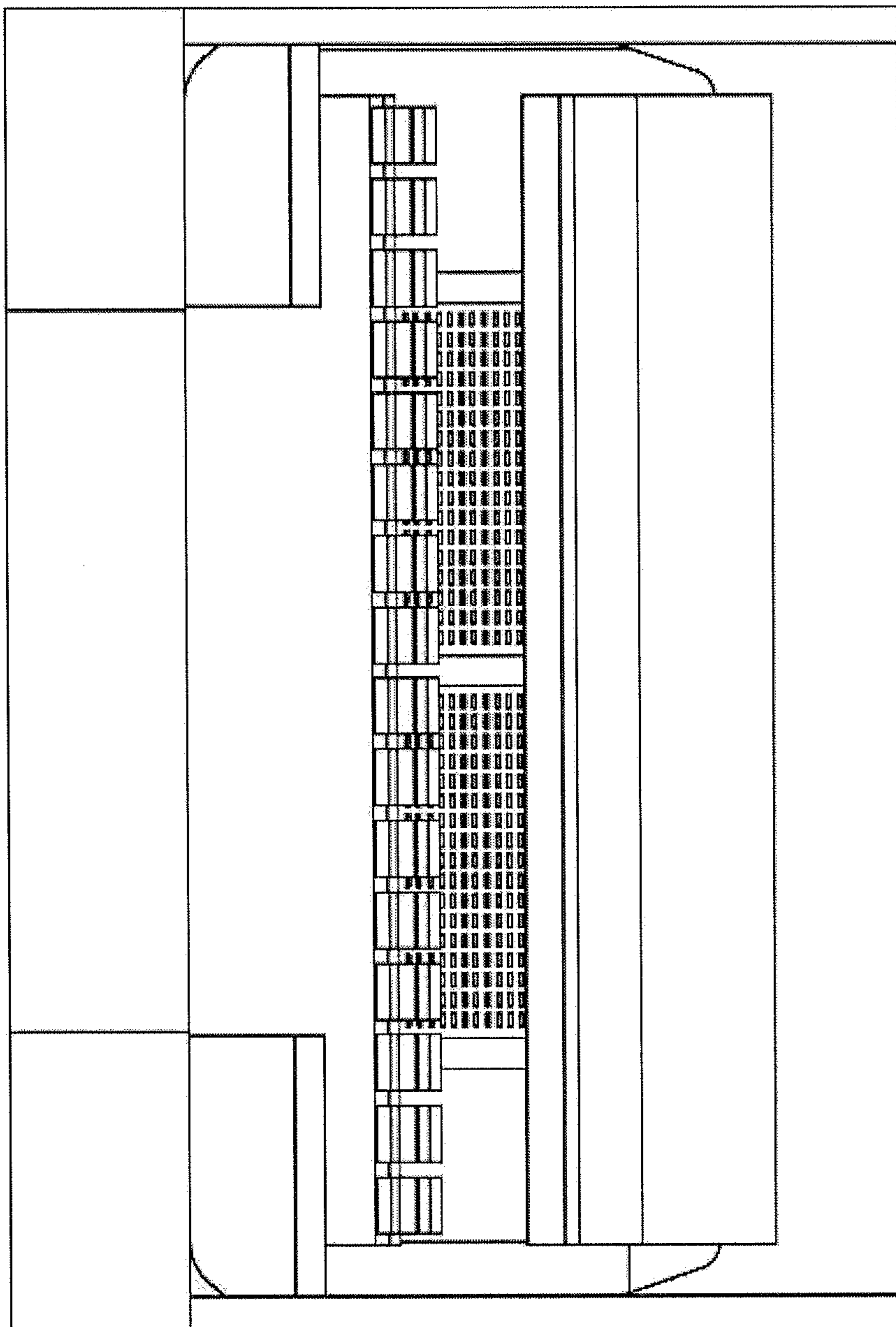


FIG 2

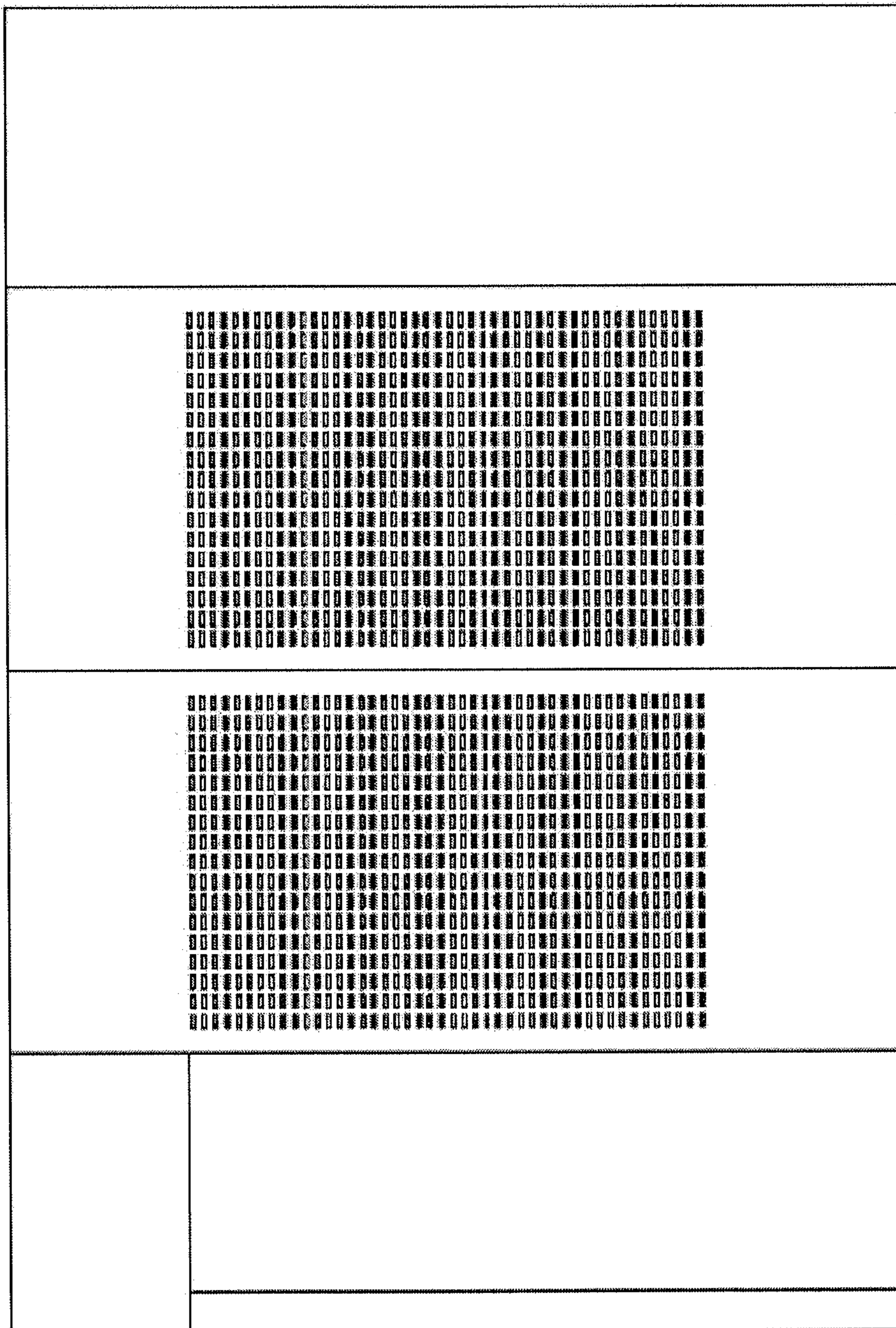


FIG 3

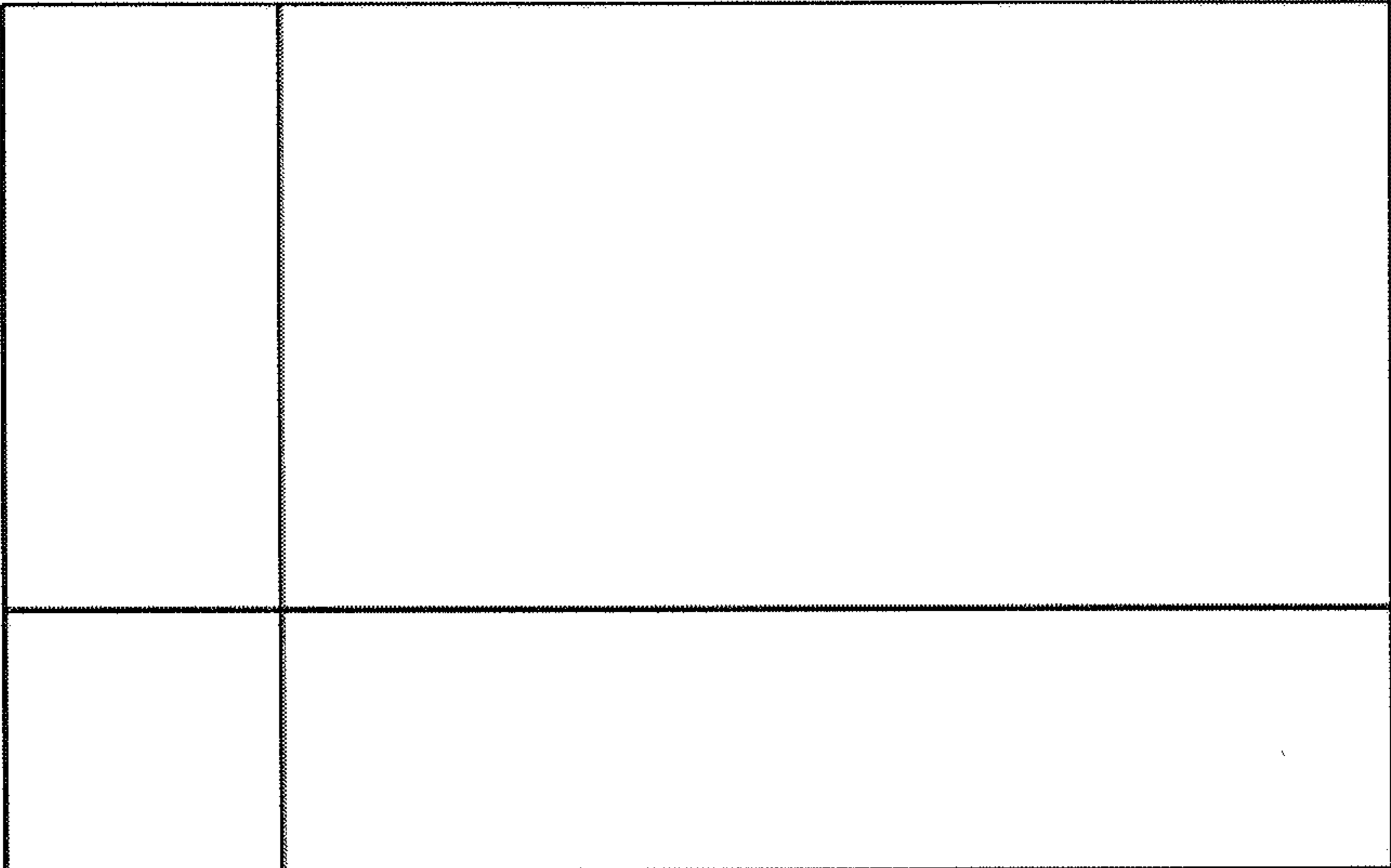


FIG 4

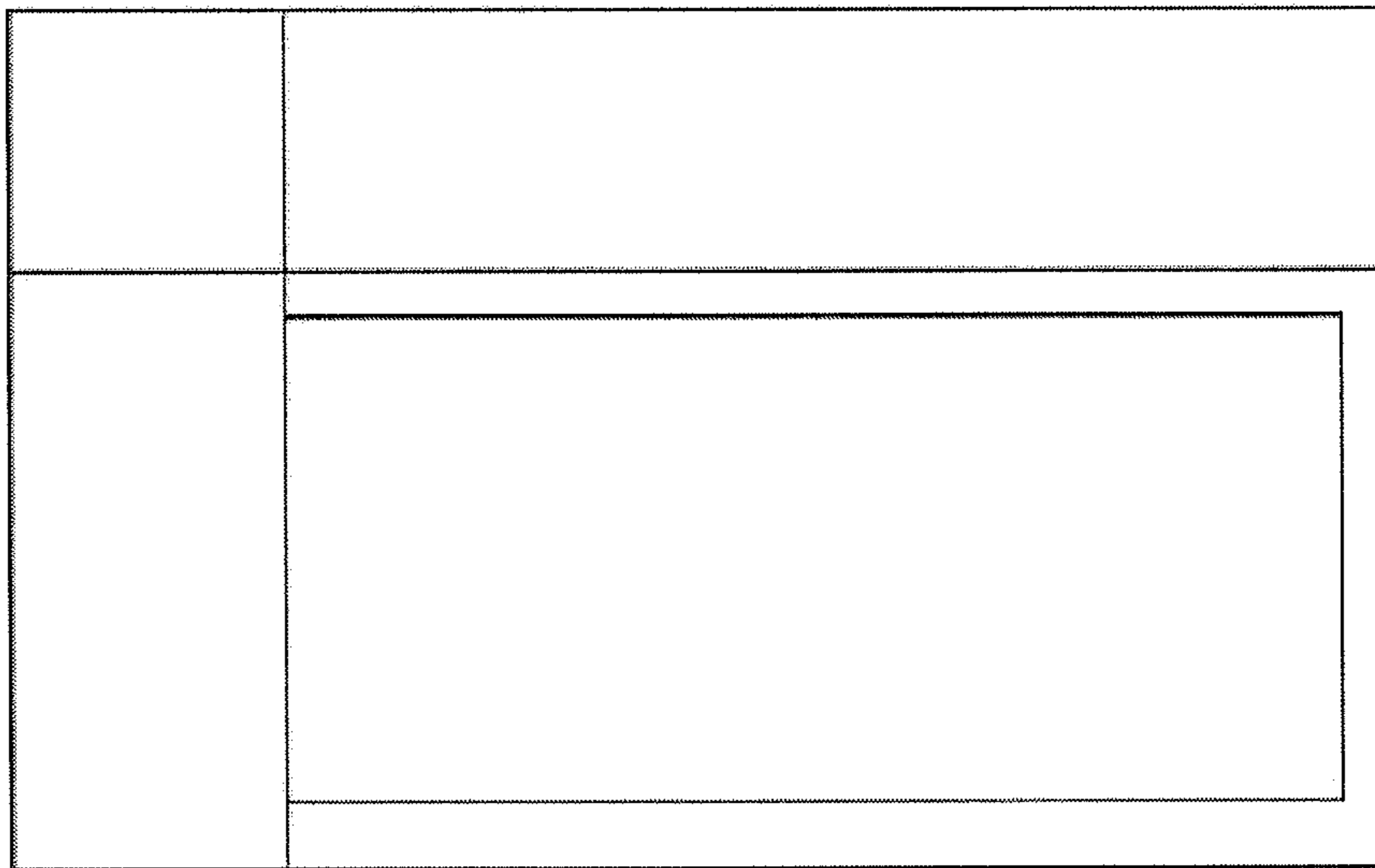


FIG 5

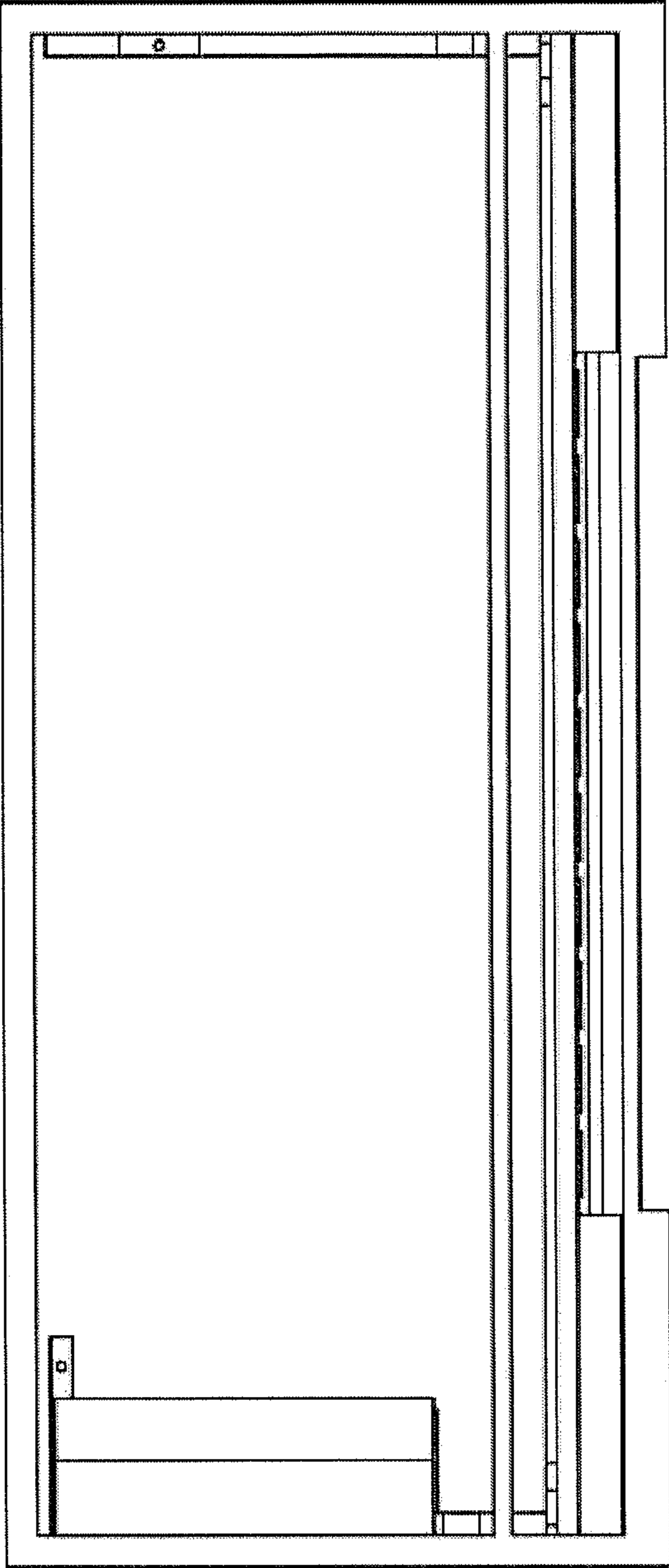


FIG 6

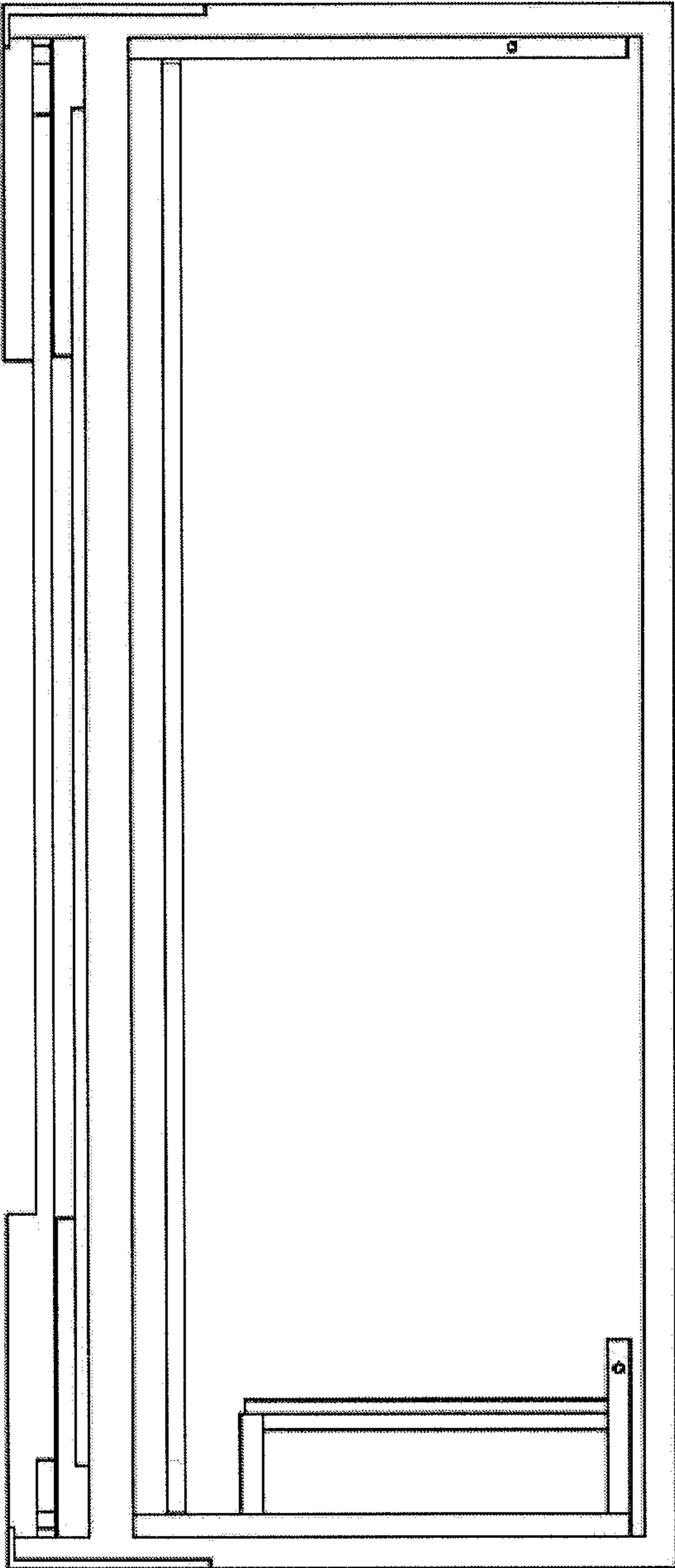


FIG 7