

US00D734786S

(12) **United States Design Patent**
Derry

(10) **Patent No.:** **US D734,786 S**
(45) **Date of Patent:** **** Jul. 21, 2015**

(54) **SINGLE PIECE INTEGRATED DOOR AND HANDLE**

D553,168 S * 10/2007 Busalt et al. D15/91
D659,726 S * 5/2012 Behr D15/91
D659,727 S * 5/2012 Behr D15/91
D669,103 S * 10/2012 Behr D15/91

(71) Applicant: **THE DELFIELD COMPANY, LLC**,
Mt. Pleasant, MI (US)

* cited by examiner

(72) Inventor: **Nick Richard Derry**, Mt. Pleasant, MI
(US)

Primary Examiner — Daniel Bui

(73) Assignee: **THE DELFIELD COMPANY, LLC**,
Mt. Pleasant, MI (US)

Assistant Examiner — Khawaja Anwar

(74) *Attorney, Agent, or Firm* — Ohlandt, Greeley, Ruggiero
& Perle, L.L.P.

(**) Term: **14 Years**

(21) Appl. No.: **29/470,282**

(57) **CLAIM**

The ornamental design for a single piece integrated door and handle, as shown and described.

(22) Filed: **Oct. 18, 2013**

(51) **LOC (10) Cl.** **15-07**

(52) **U.S. Cl.**

USPC **D15/91**

(58) **Field of Classification Search**

USPC D15/79, 81, 83, 84, 85, 86, 87, 88, 89,
D15/91

CPC F25B 21/02; F25B 2321/02; F25B 1/005;
F25B 2321/0252; F25B 1/00; F25B 1/10;
F25B 21/04; F25B 2339/047; F25B 5/02;
F25B 7/00; F25B 13/00; F25B 1/053; F25B
2309/06; F25B 2321/021; F25B 2321/023;
F25D 23/028; F25D 23/02; F25D 25/025;
F25D 23/00; F25D 2323/021; F25D 11/00;
F25D 2323/024; F25D 23/04; F25D 29/00;
F25D 25/02; F25D 25/024; F25D 27/005;
F25D 23/12; F25D 29/005; F25D 17/042;
F25D 2325/021

See application file for complete search history.

DESCRIPTION

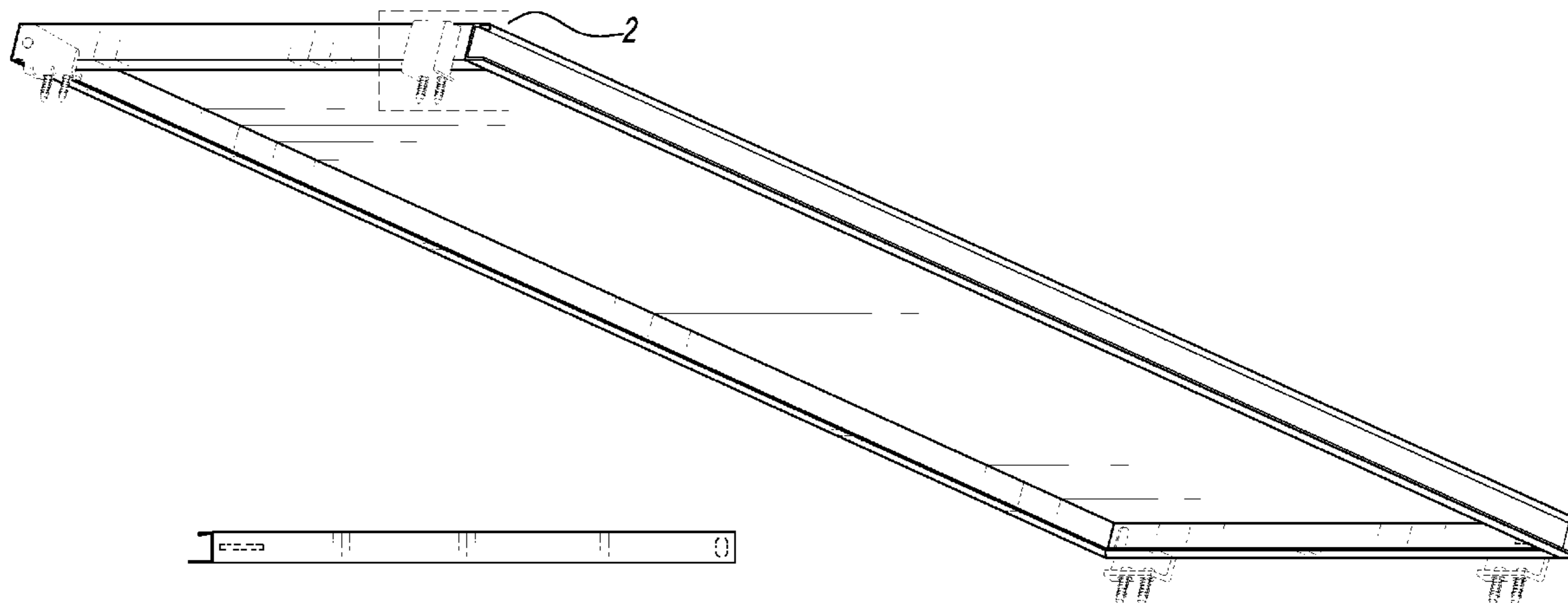
FIG. 1 is a rear-side perspective view of a single piece inte-
grated door and handle showing my new design;
FIG. 2 is an enlarged partial view thereof;
FIG. 3 is a right view thereof;
FIG. 4 is a left view thereof;
FIG. 5 is a top view thereof;
FIG. 6 is an enlarged partial view thereof;
FIG. 7 is an enlarged partial view thereof;
FIG. 8 is a bottom view thereof;
FIG. 9 is a front view thereof;
FIG. 10 is a rear view thereof; and,
FIG. 11 is a top-side perspective view thereof; in use condi-
tion, shown in an alternate mirrored configuration.
The broken line in the figure drawings represents unclaimed
environment only and forms no part of the claimed design.

(56) **References Cited**

U.S. PATENT DOCUMENTS

4,940,297 A * 7/1990 Borgen 312/138.1
D544,000 S * 6/2007 Ohtake D15/81

1 Claim, 6 Drawing Sheets



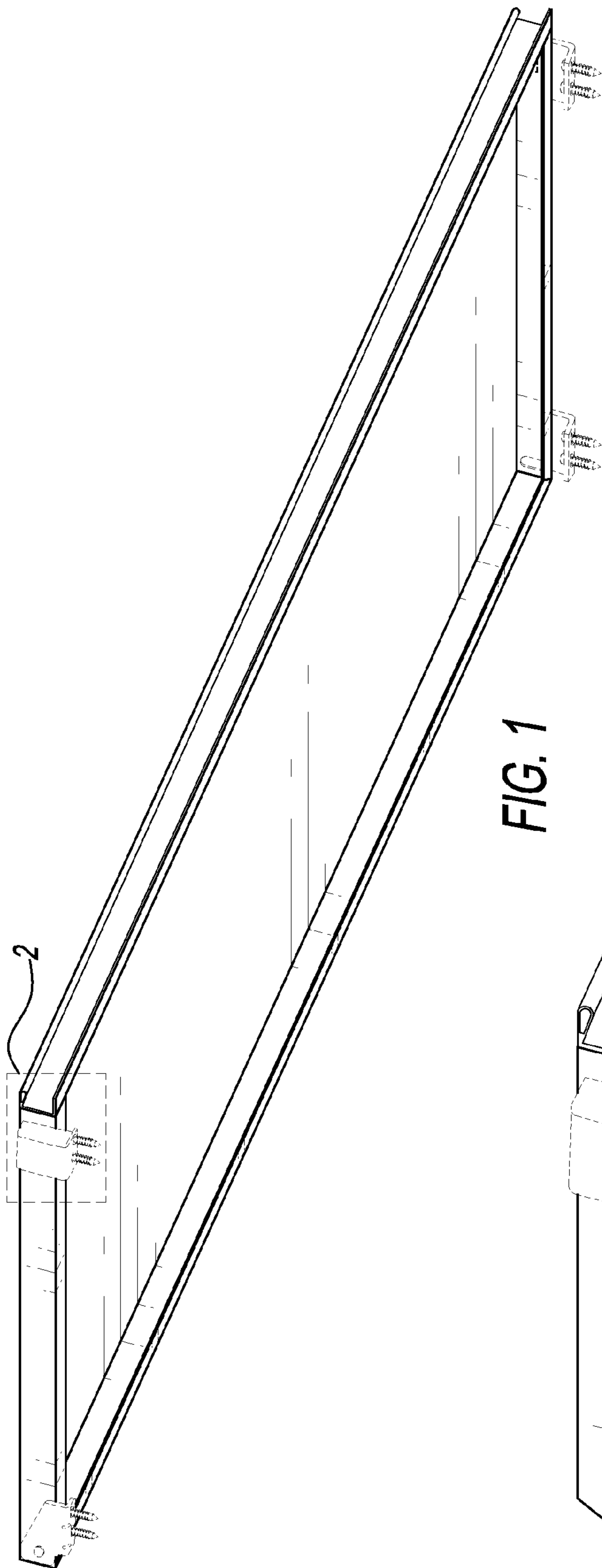


FIG. 1

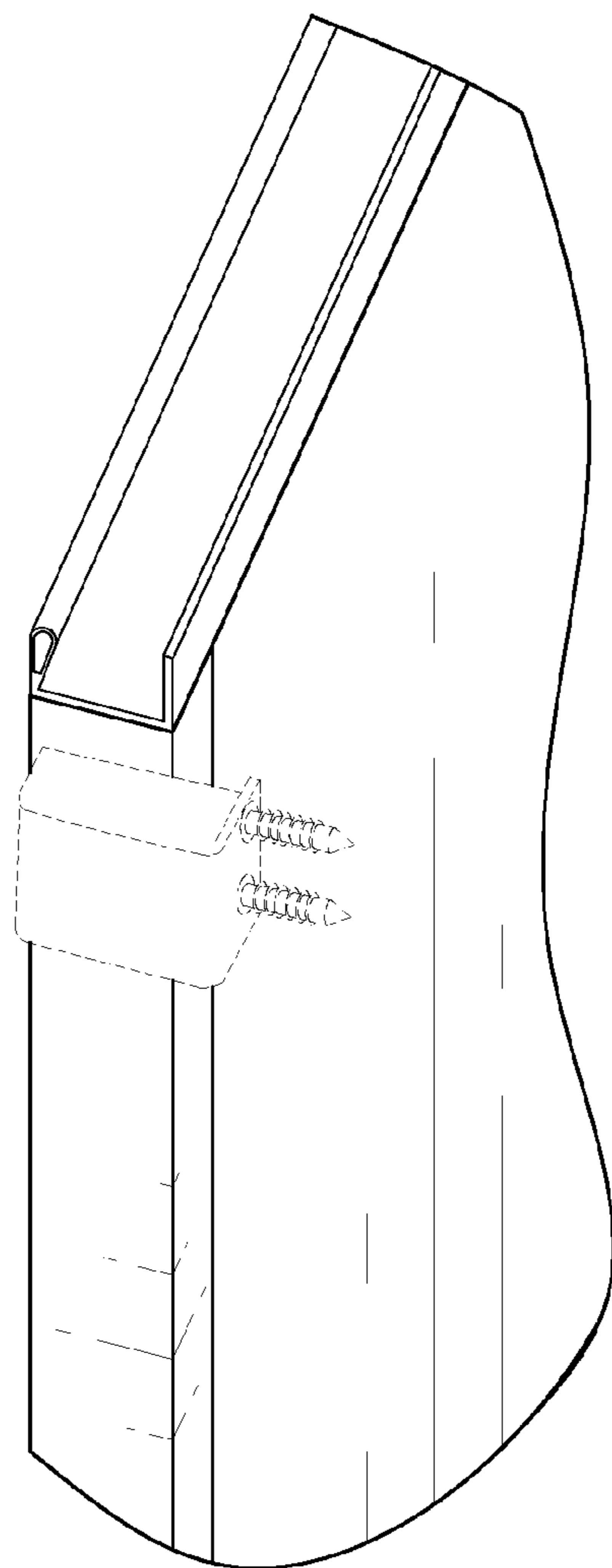


FIG. 2



FIG. 3

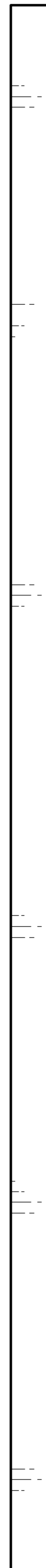


FIG. 4

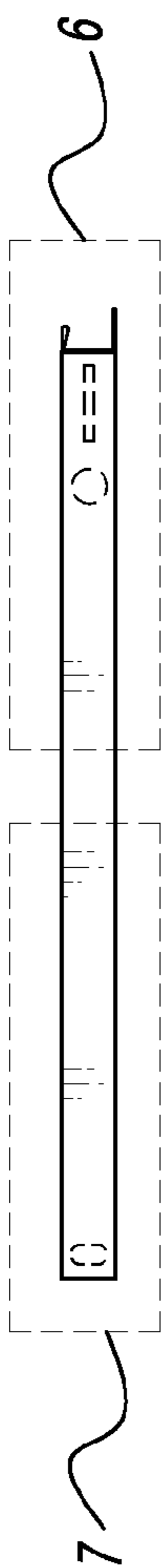


FIG. 5

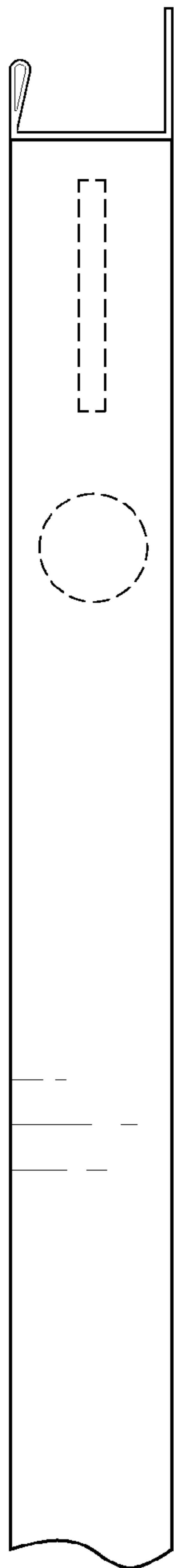


FIG. 6

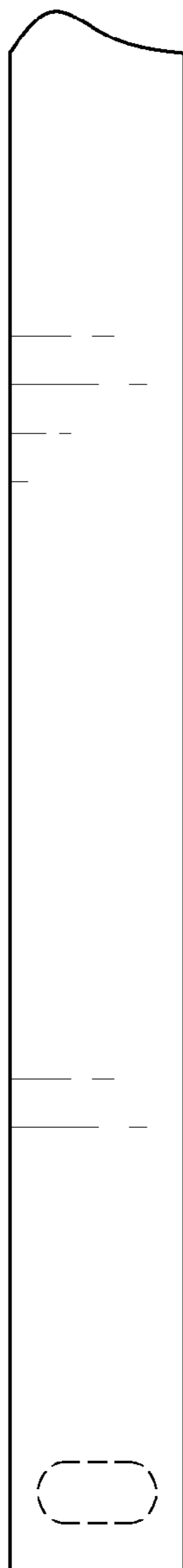


FIG. 7



FIG. 8

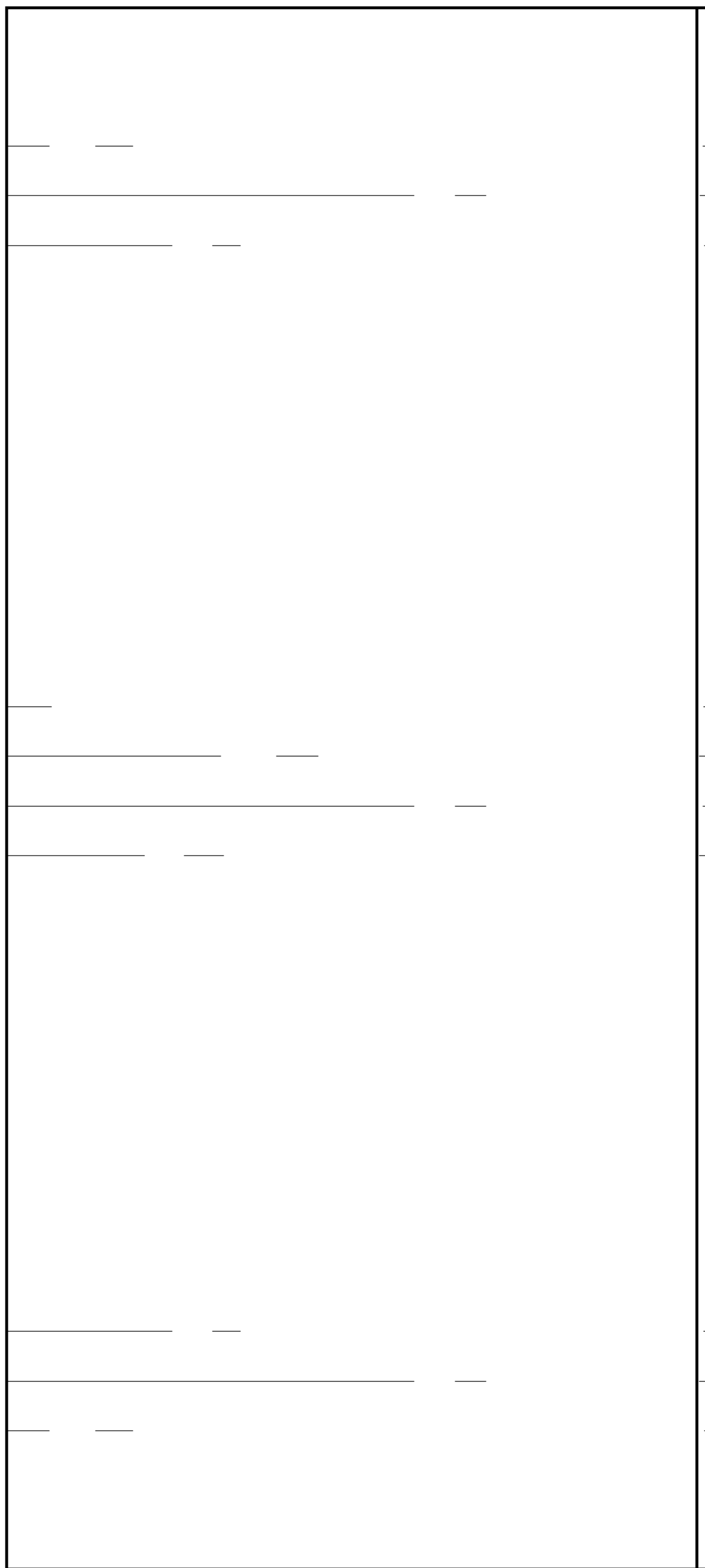


FIG. 9

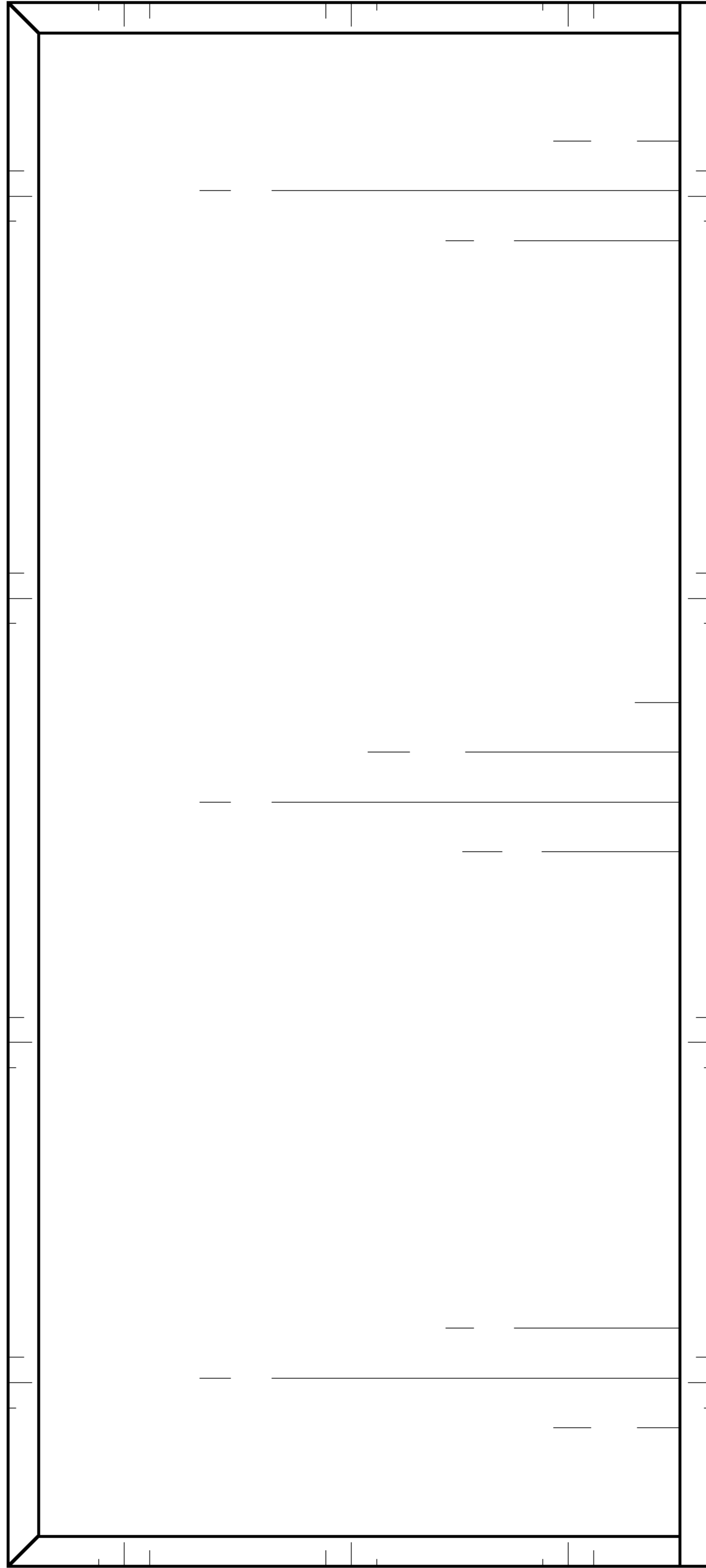


FIG. 10

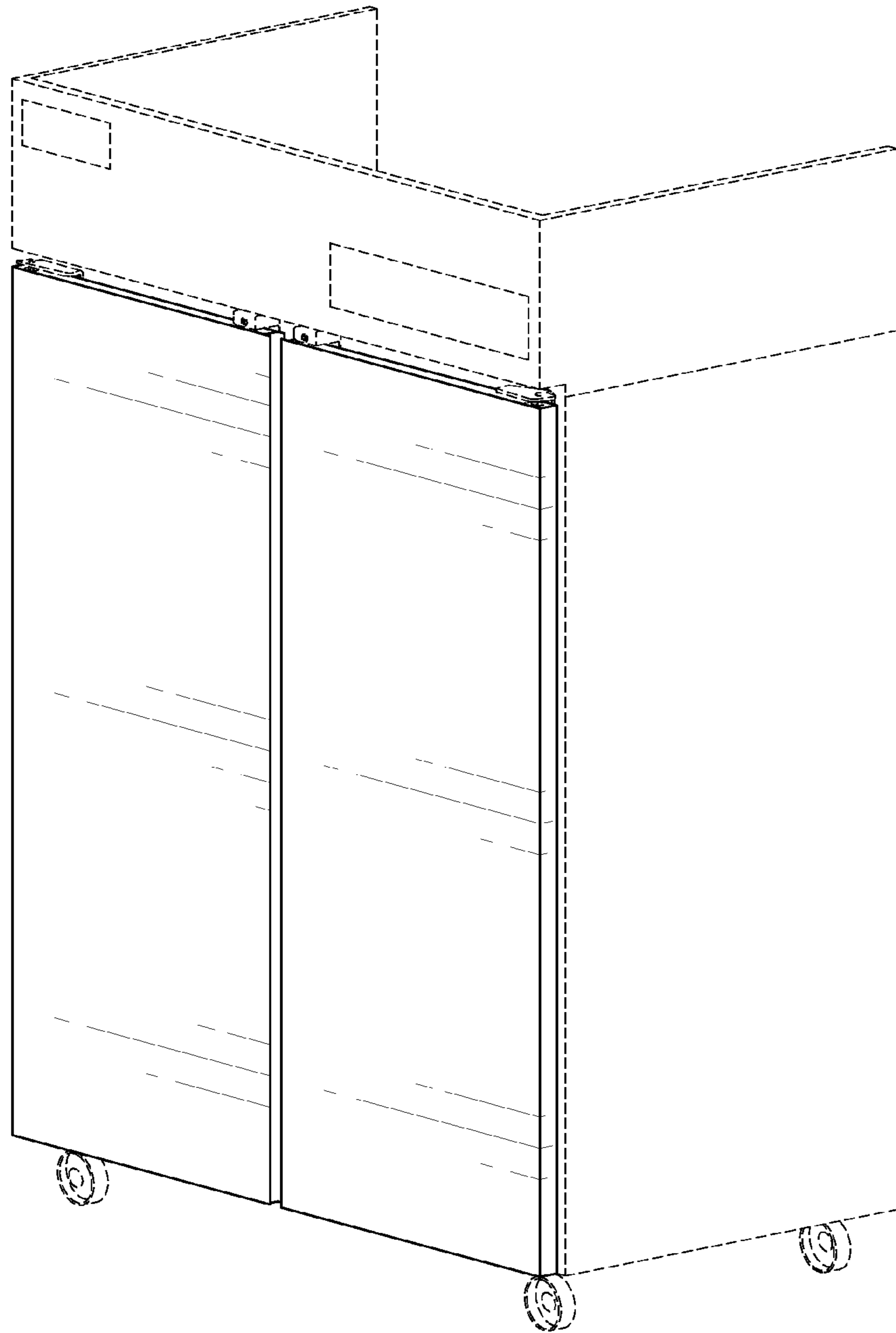


FIG. 11