

US00D734785S

(12) **United States Design Patent**
Lee et al.

(10) **Patent No.:** **US D734,785 S**
(45) **Date of Patent:** **** Jul. 21, 2015**

(54) **DOOR GUARD FOR REFRIGERATOR**

F25D 23/12; F25D 29/005; F25D 17/042;
F25D 2325/021

(71) Applicant: **SAMSUNG ELECTRONICS CO., LTD.**, Suwon-si (KR)

See application file for complete search history.

(72) Inventors: **Jun-Kyo Lee**, Daegu (KR); **Se-Youn Park**, Seoul (KR); **Jong-Hyub Lee**, Seoul (KR); **Hyun-II Lee**, Seoul (KR); **Sang-Woon Jeon**, Namyangju-si (KR)

(56) **References Cited**

U.S. PATENT DOCUMENTS

D511,535	S	*	11/2005	Grobleben	D15/89
D523,034	S	*	6/2006	Vardon	D15/89
D577,744	S	*	9/2008	Baacke et al.	D15/89
D714,843	S	*	10/2014	Jeon et al.	D15/89
D714,845	S	*	10/2014	Jeon et al.	D15/89
D724,117	S	*	3/2015	Jeon et al.	D15/89

(73) Assignee: **Samsung Electronics Co., Ltd.**, Suwon-si (KR)

* cited by examiner

(**) Term: **14 Years**

Primary Examiner — Daniel Bui

(21) Appl. No.: **29/476,595**

Assistant Examiner — Khawaja Anwar

(22) Filed: **Dec. 16, 2013**

(74) *Attorney, Agent, or Firm* — Ladas & Parry LLP

(30) **Foreign Application Priority Data**

(57) **CLAIM**

We claim the ornamental design for a door guard for refrigerator, as shown and described.

Sep. 3, 2013 (KR) 30-2013-0045458

DESCRIPTION

(51) **LOC (10) Cl.** **15-07**

FIG. 1 is a front perspective view of a door guard refrigerator showing our new design;

(52) **U.S. Cl.**

USPC **D15/89**

FIG. 2 is a front elevation view thereof;

(58) **Field of Classification Search**

USPC D15/79-91

CPC F25B 21/02; F25B 2321/02; F25B 1/005; F25B 2321/0252; F25B 1/00; F25B 1/10; F25B 21/04; F25B 2339/047; F25B 5/02; F25B 7/00; F25B 13/00; F25B 1/053; F25B 2309/06; F25B 2321/021; F25B 2321/023; F25D 23/028; F25D 23/02; F25D 25/025; F25D 23/00; F25D 2323/021; F25D 11/00; F25D 2323/024; F25D 23/04; F25D 29/00; F25D 25/02; F25D 25/024; F25D 27/005;

FIG. 3 is a rear elevation view thereof;

FIG. 4 is a left-side elevation view thereof;

FIG. 5 is a right-side elevation view thereof;

FIG. 6 is a top plan view thereof;

FIG. 7 is a bottom plan view thereof;

FIG. 8 is a perspective view while in use showing that the guard is adjustable in length; and,

FIG. 9 is another perspective view thereof, in use condition.

The broken line in the figure drawings represents unclaimed environment only and forms no part of the claimed design.

1 Claim, 6 Drawing Sheets

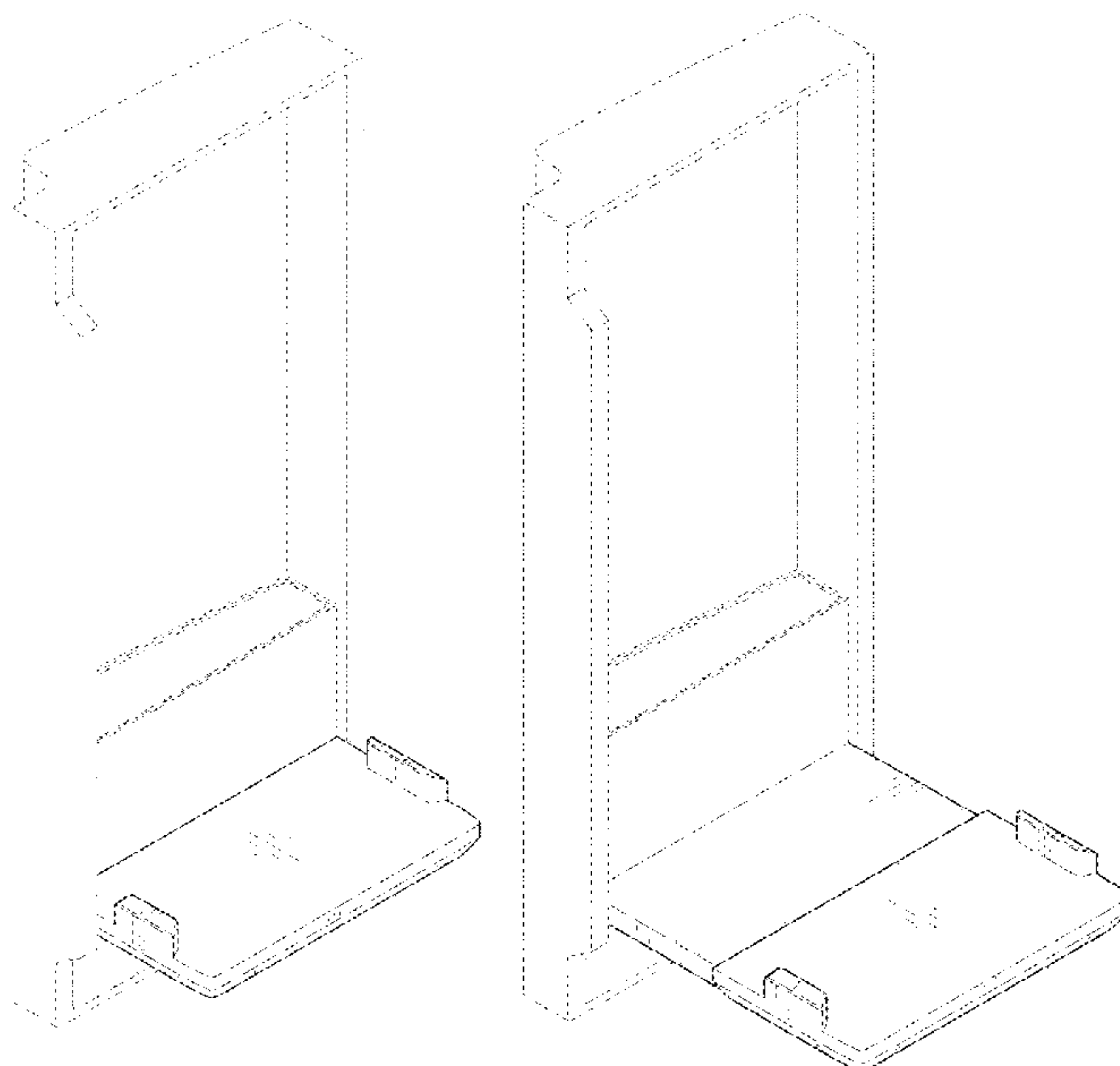


FIG. 1

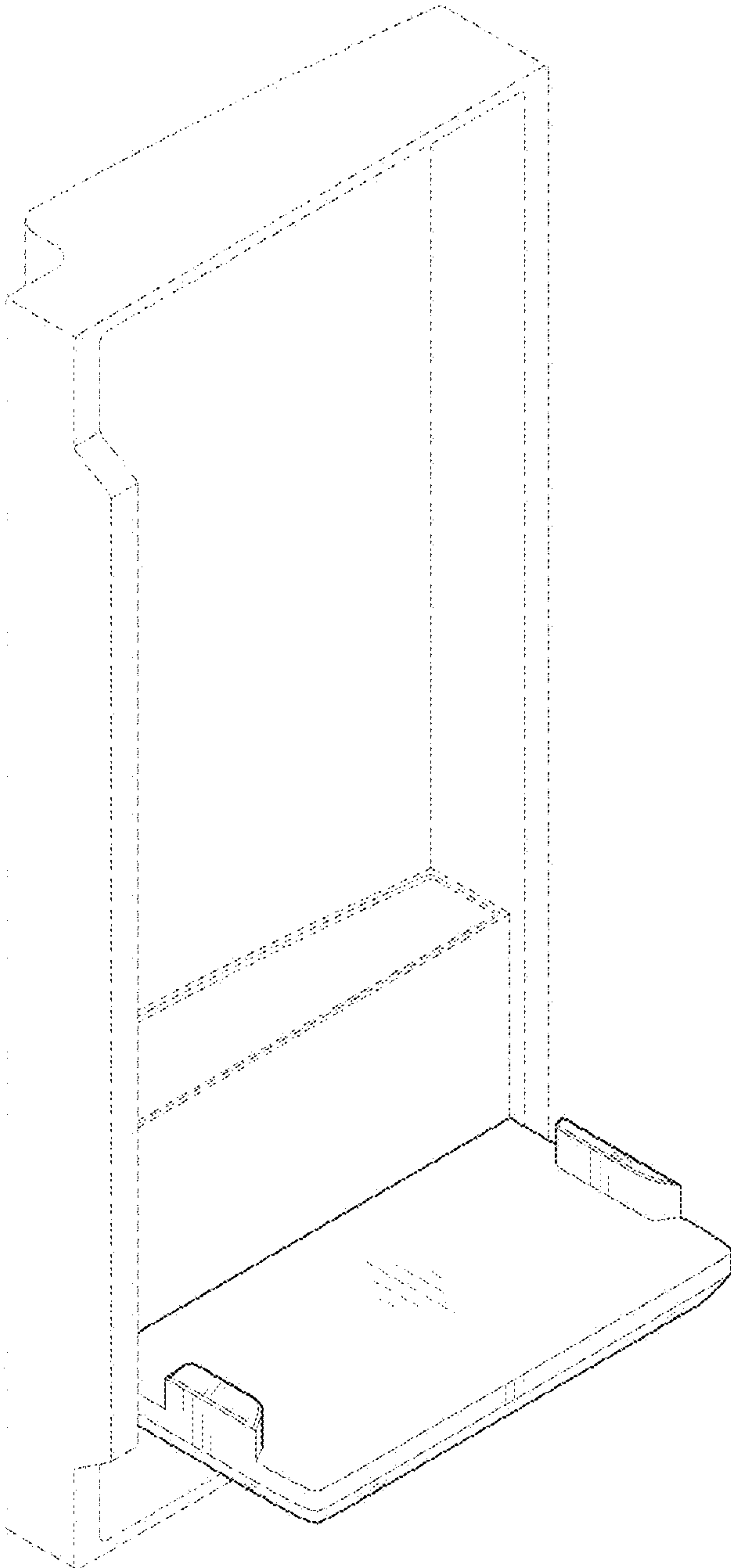


FIG. 2

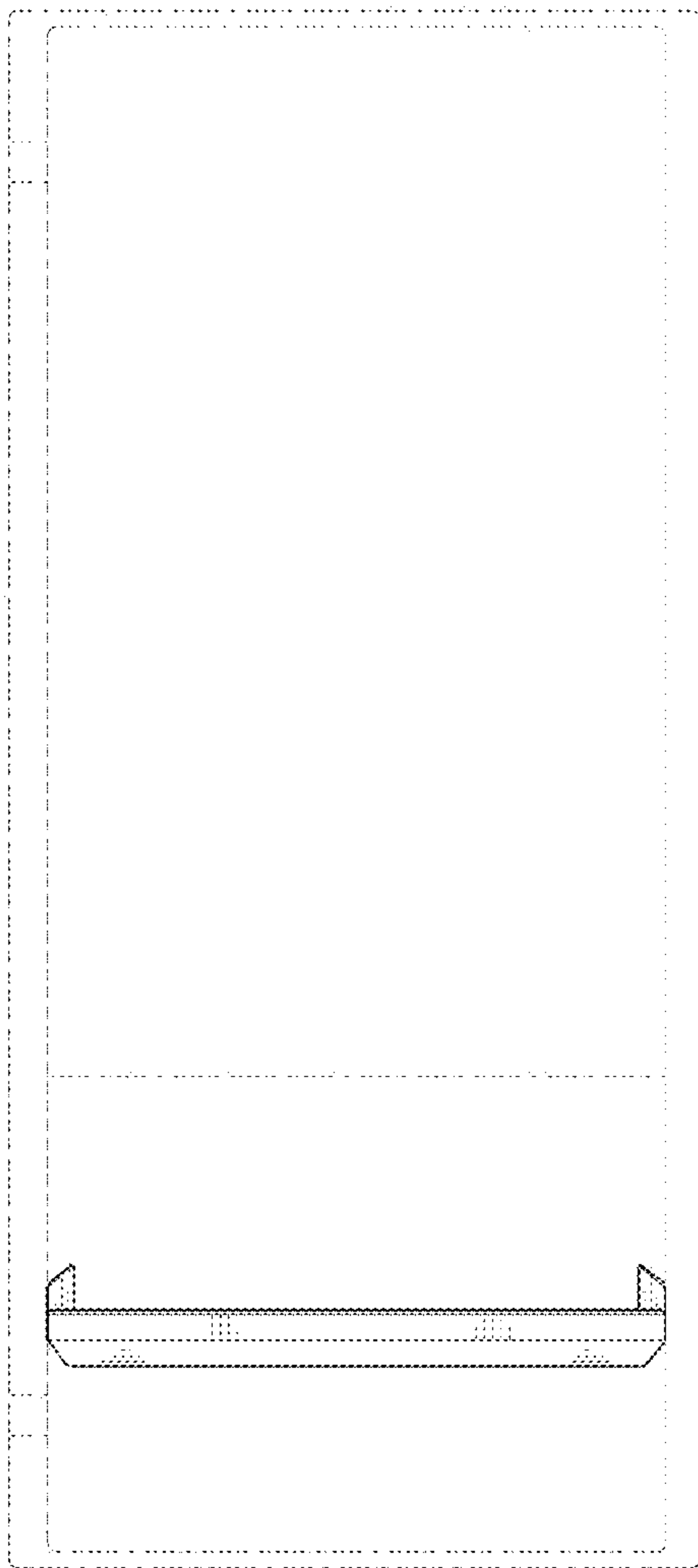


FIG. 3

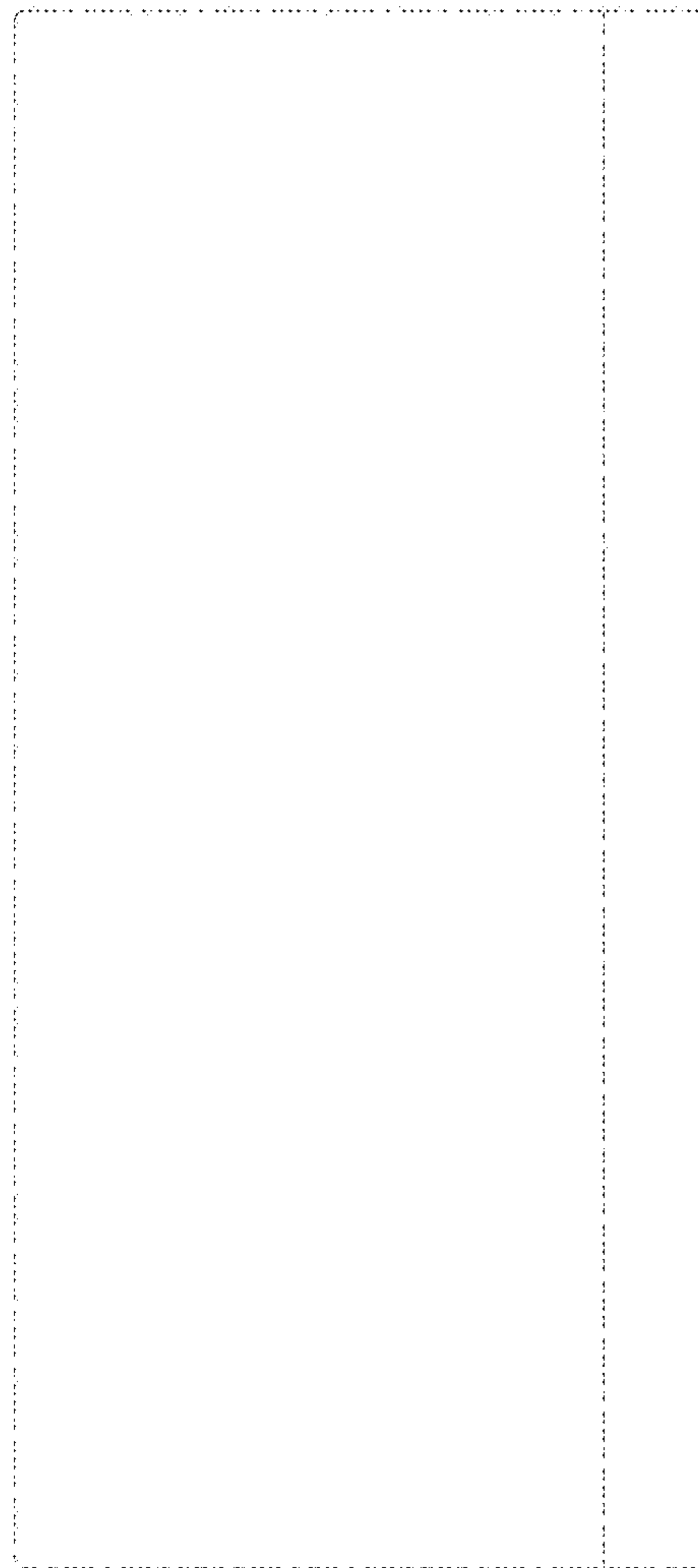


FIG. 4



FIG. 5

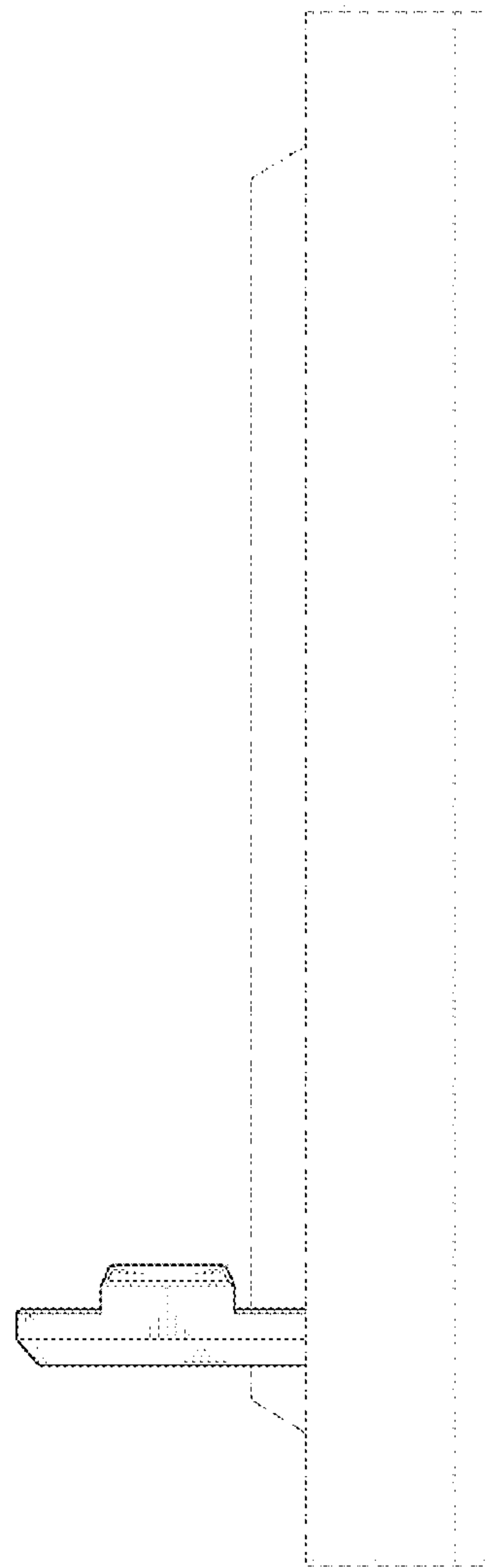


FIG. 6

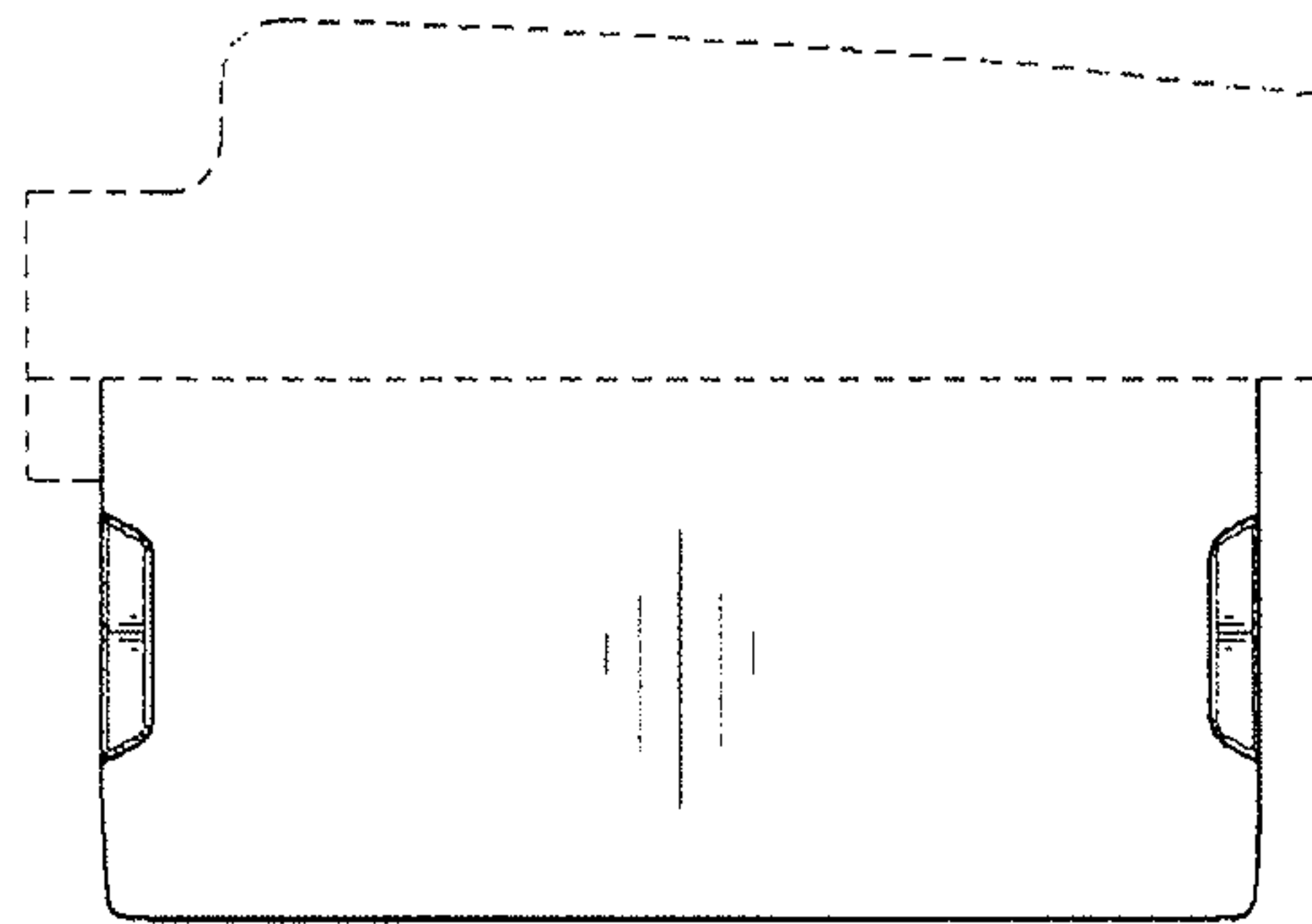


FIG. 7

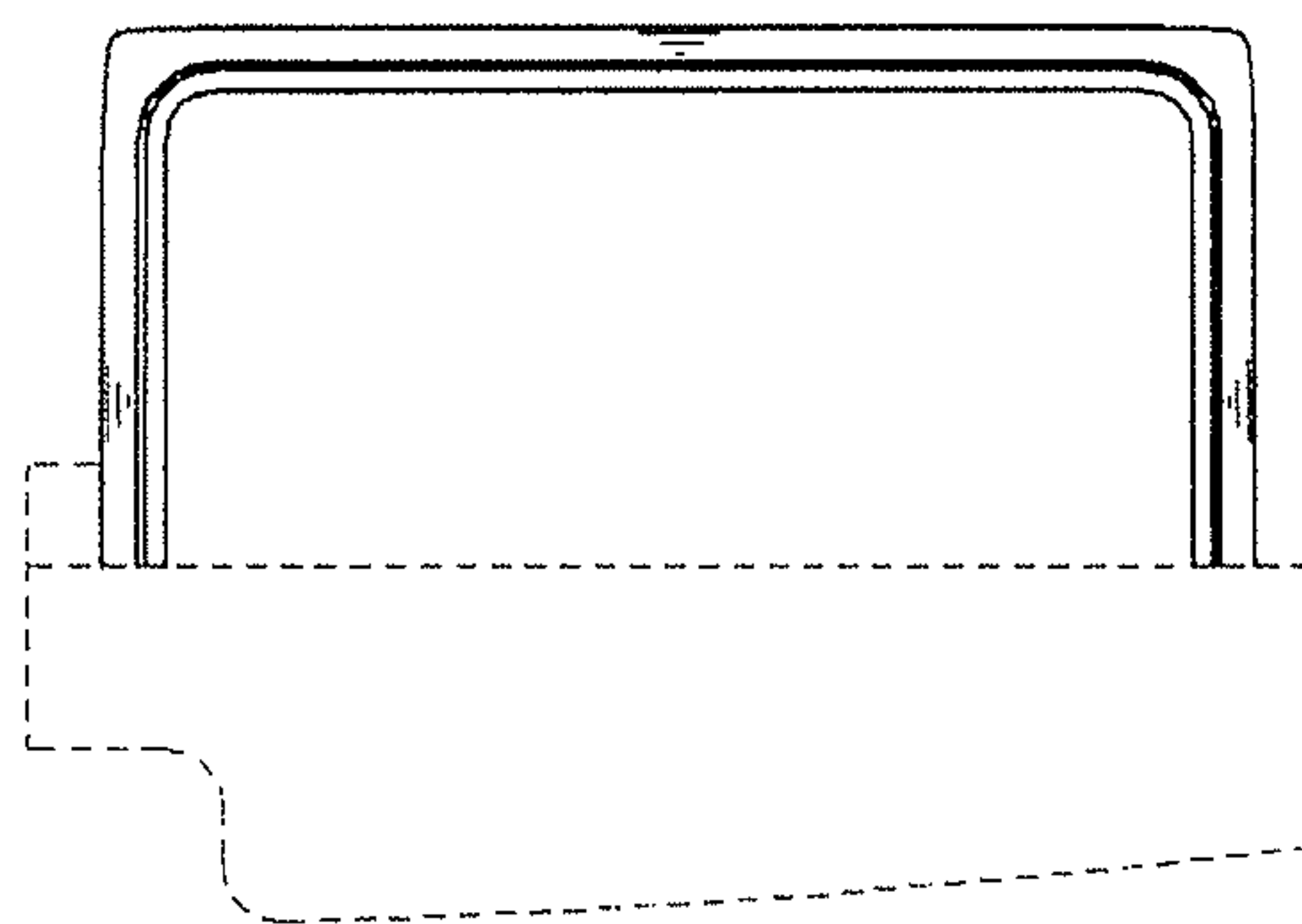


FIG. 8

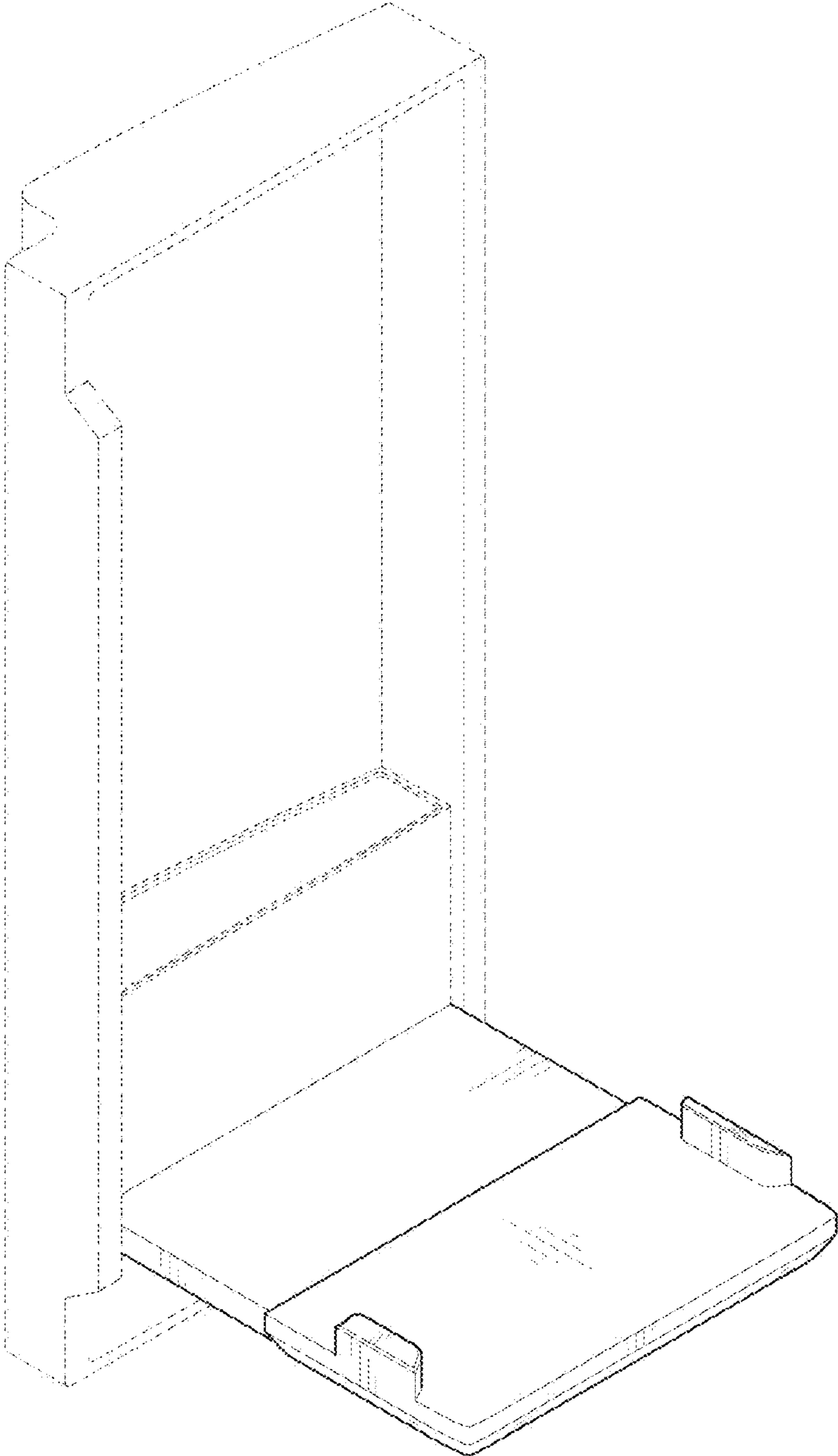


FIG. 9

