



US00D734783S

(12) **United States Design Patent**
Yong et al.

(10) **Patent No.:** **US D734,783 S**
(45) **Date of Patent:** **** Jul. 21, 2015**

(54) **ICE STORAGE BIN AND DOOR**

FOREIGN PATENT DOCUMENTS

(71) Applicant: **MANITOWOC FOODSERVICE COMPANIES, LLC**, Manitowoc, WI (US)

CN 200630108446.2 4/2006
CN 200730121329.4 6/2007

* cited by examiner

(72) Inventors: **Wang Yong**, Zhejiang (CN); **Wen Yongle**, Zhejiang (CN); **Sun Zhi Qiang**, Zhejiang (CN); **Zhu Ai Hua**, Zhejiang (CN)

Primary Examiner — Ian Simmons
Assistant Examiner — Khawaja Anwar

(74) *Attorney, Agent, or Firm* — Ohlandt, Greeley, Ruggiero & Perle, LLP.

(73) Assignee: **MANITOWOC FOODSERVICE COMPANIES, LLC**, Manitowoc, WI (US)

(57) **CLAIM**

The ornamental design for an ice storage bin and door, as shown and described.

(**) Term: **14 Years**

DESCRIPTION

(21) Appl. No.: **29/454,172**

(22) Filed: **May 7, 2013**

(51) **LOC (10) Cl.** **15-07**

(52) **U.S. Cl.**
USPC **D15/85**

(58) **Field of Classification Search**
USPC D15/79-91; 312/114-119, 236, 352, 312/400-408; 62/3.1-3.64, 293, 371, 400, 62/467, 529, 531, 73, 80, 138, 246-254, 62/340, 457.1

See application file for complete search history.

FIG. 1 is a top, front, right-side perspective view of the ice storage bin and door, showing our new design;
FIG. 2 is a top, front, right-side perspective view thereof, shown with the door in the open position;
FIG. 3 is a top, rear, left-side perspective view thereof;
FIG. 4 is a top plan view thereof;
FIG. 5 is a front view thereof;
FIG. 6 is a right-side view thereof;
FIG. 7 is a left-side view thereof;
FIG. 8 is a top, rear, left-side view, showing the door in an isolated view; and
FIG. 9 is a top, front, left-side view thereof;
FIG. 10 is a top plan view thereof;
FIG. 11 is a bottom plan view thereof;
FIG. 12 is a left-side view thereof;
FIG. 13 is a right-side view thereof;
FIG. 14 is a rear view thereof; and
FIG. 15 is a front view thereof.

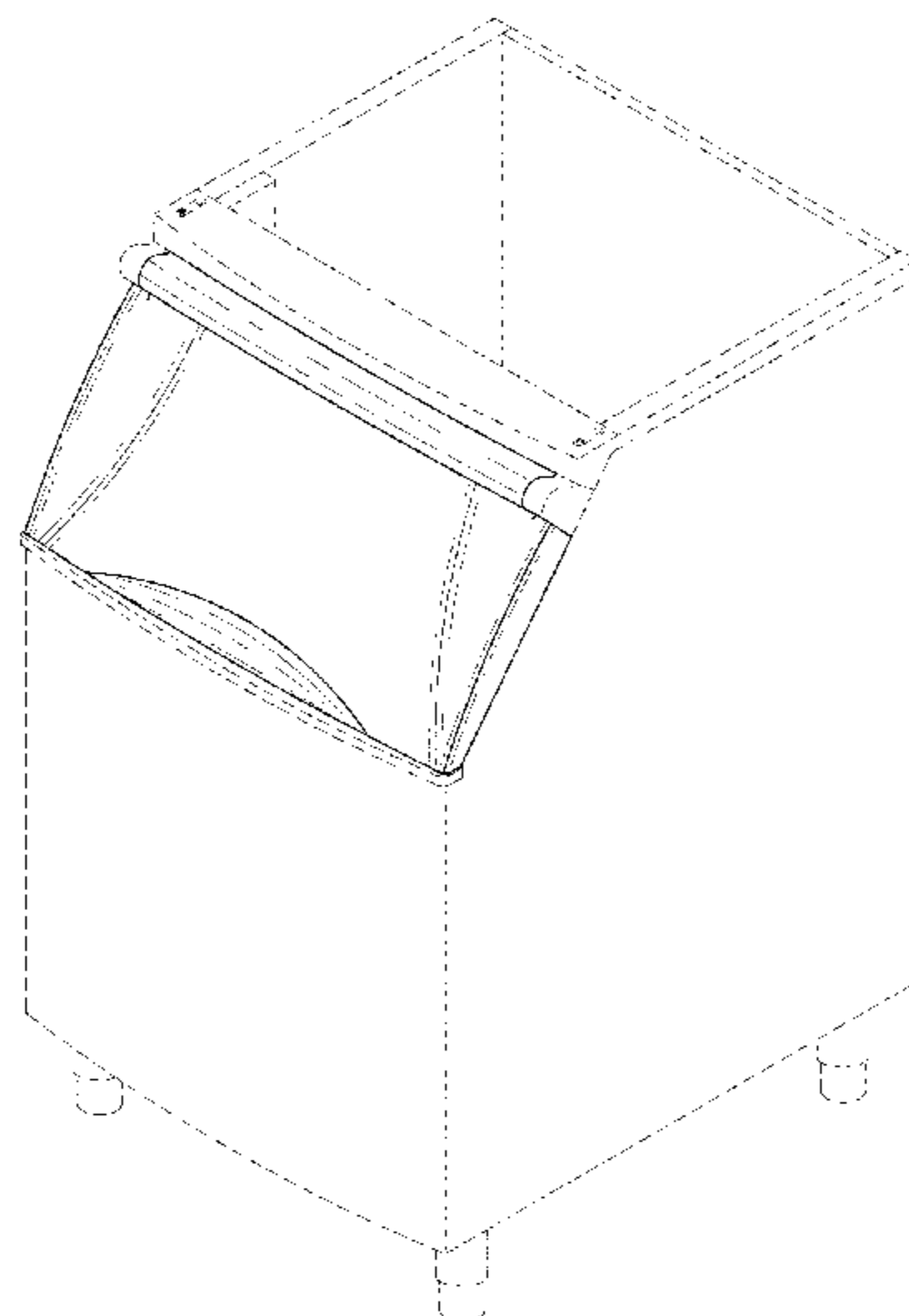
The broken lines in the drawings are included to show unclaimed subject matter only and form no part of the claimed design.

(56) **References Cited**

U.S. PATENT DOCUMENTS

D407,421 S * 3/1999 Strandell et al. D15/80
D442,973 S * 5/2001 Strandell et al. D15/80
D455,158 S * 4/2002 Gray et al. D15/80
D551,264 S * 9/2007 Reed et al. D15/91
D573,614 S * 7/2008 Reed et al. D15/91
D597,107 S * 7/2009 Ohtake D15/80
D650,399 S * 12/2011 Kim D15/91

1 Claim, 10 Drawing Sheets



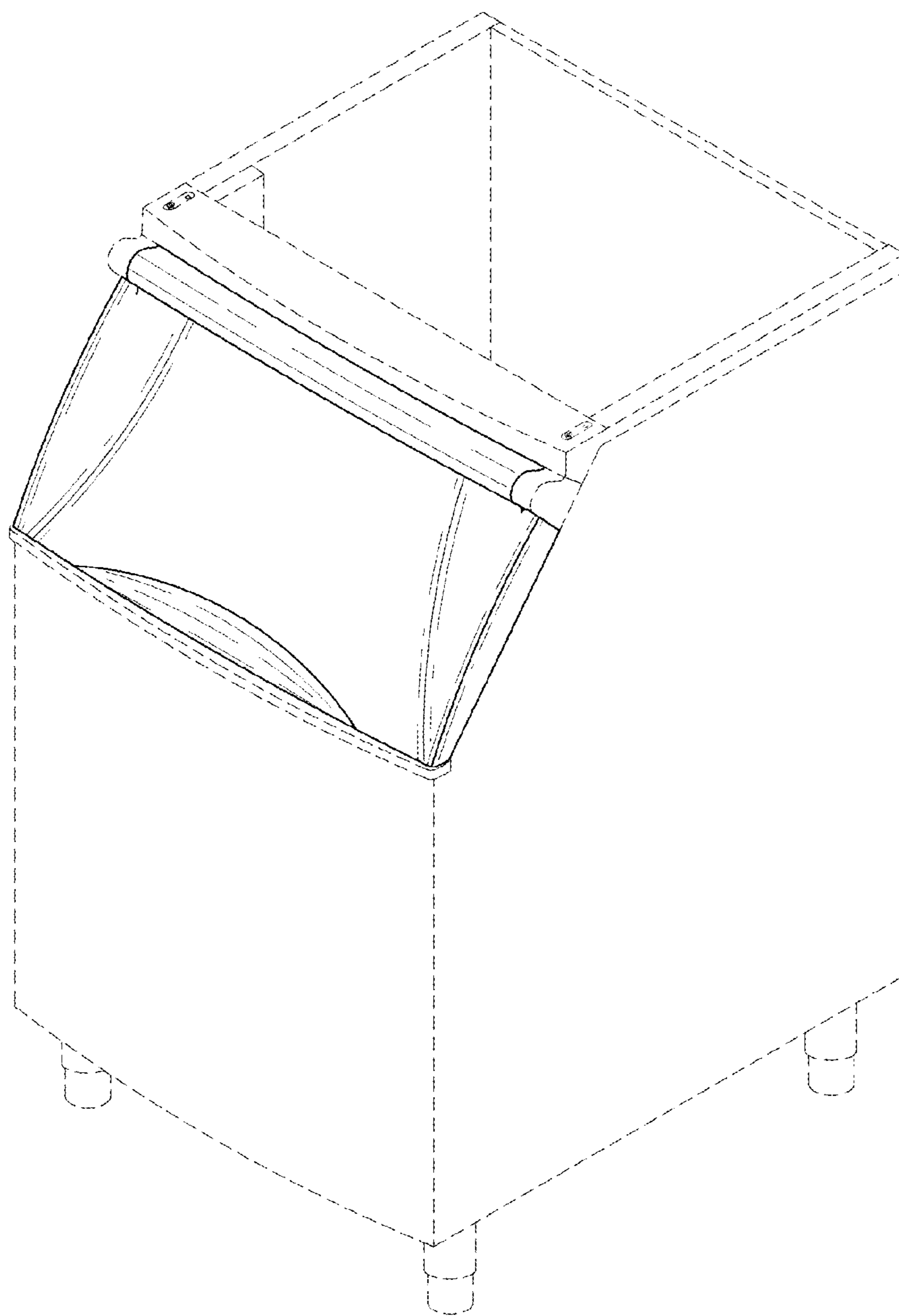


FIG. 1

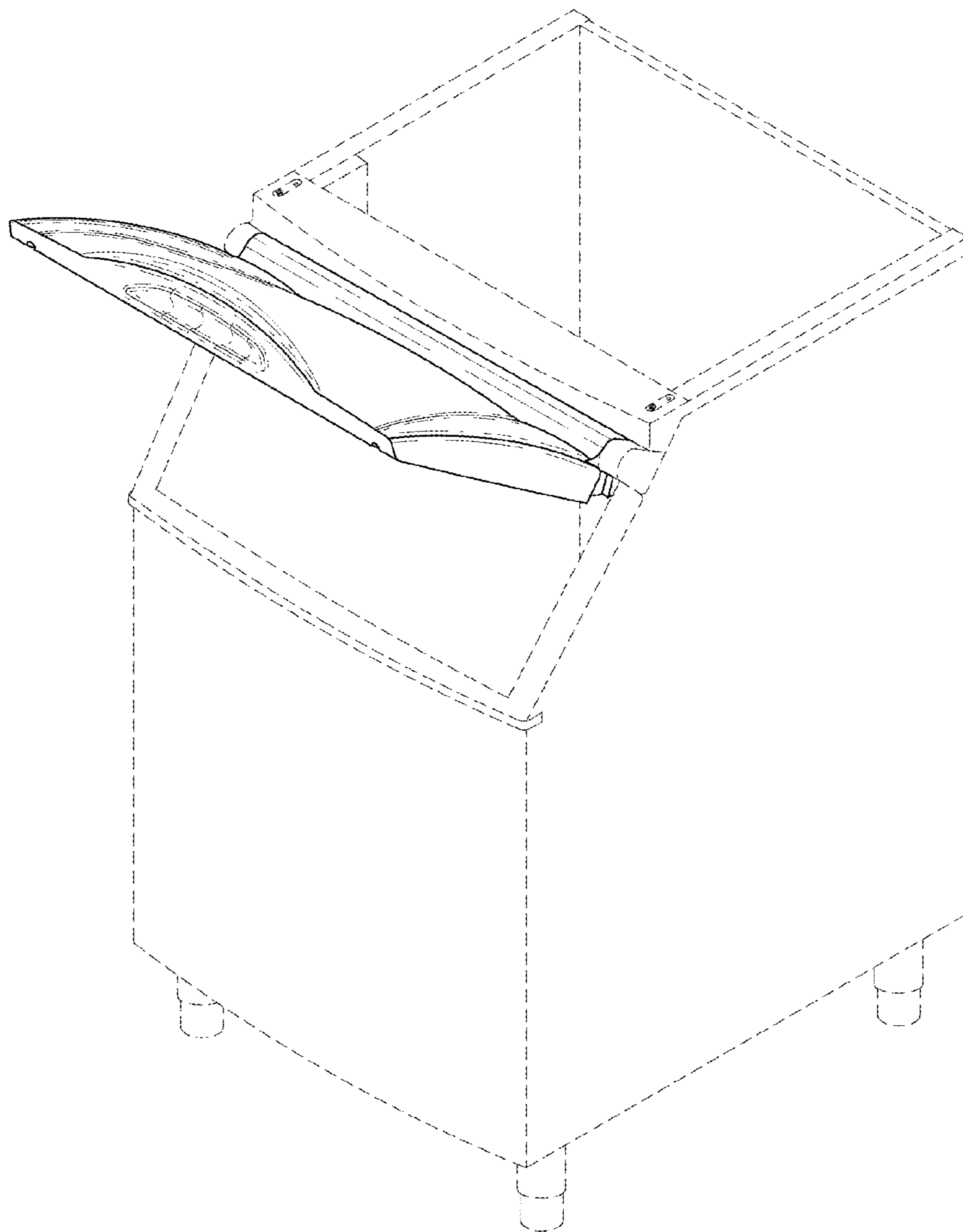


FIG. 2

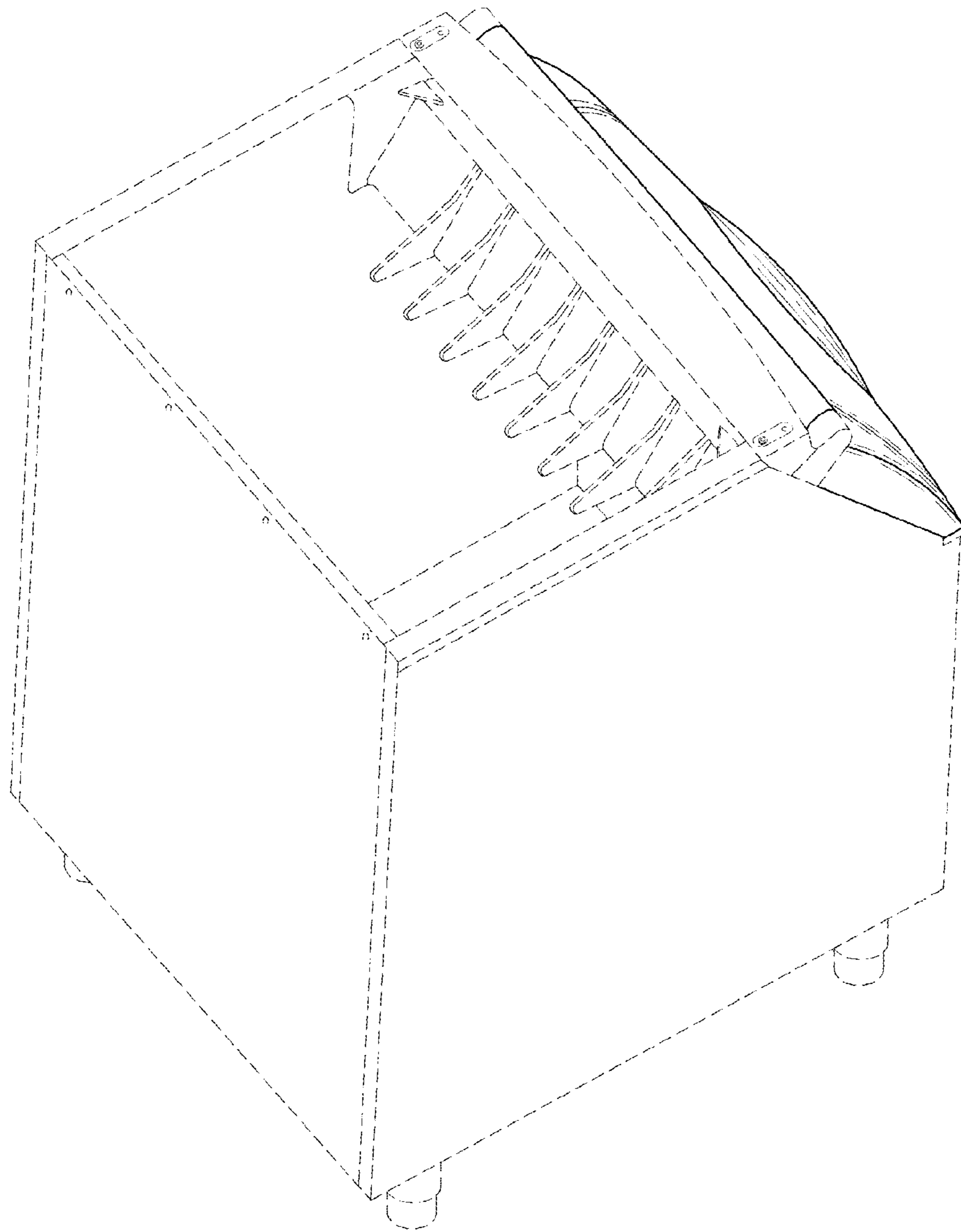


FIG. 3

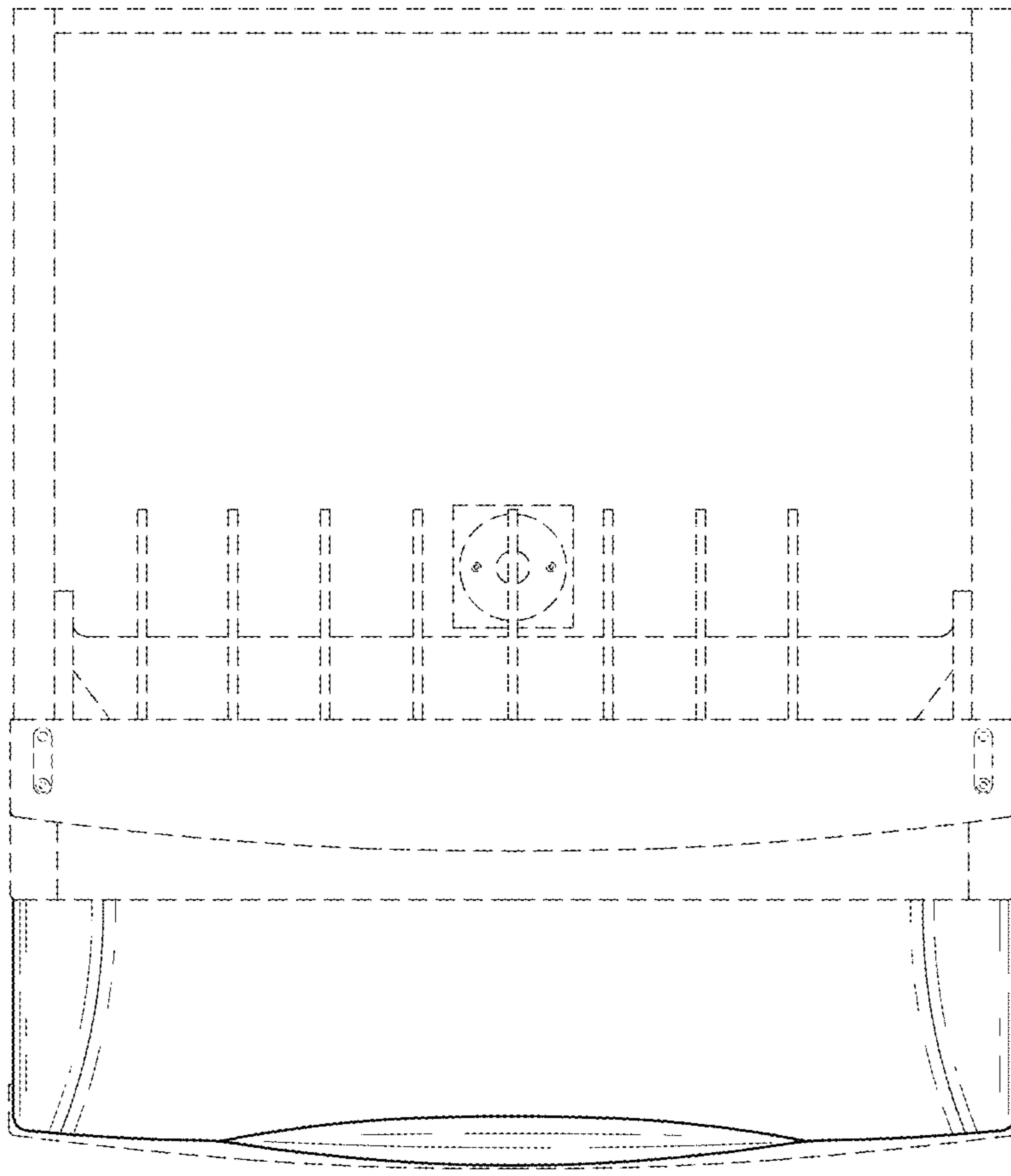


FIG. 4

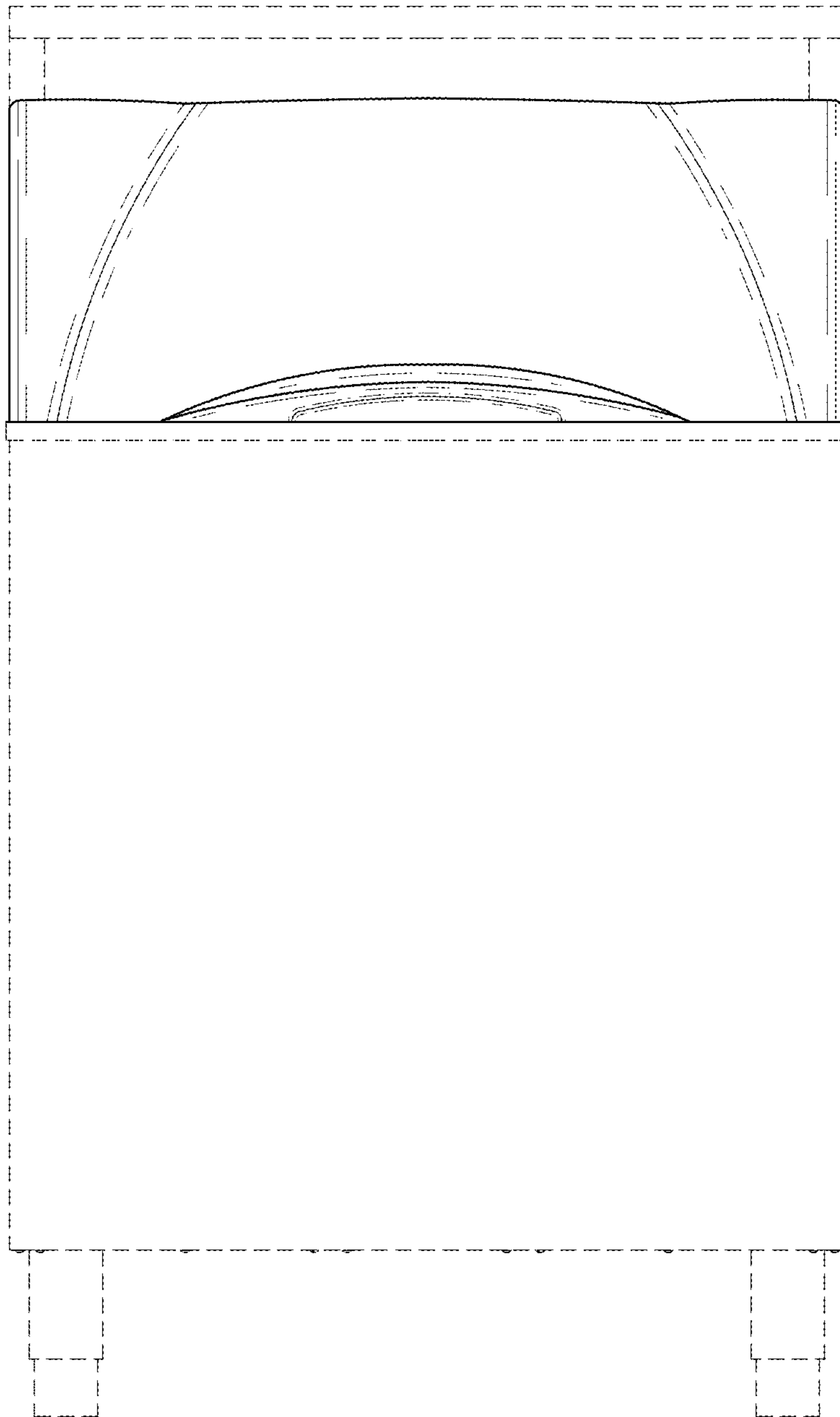


FIG. 5

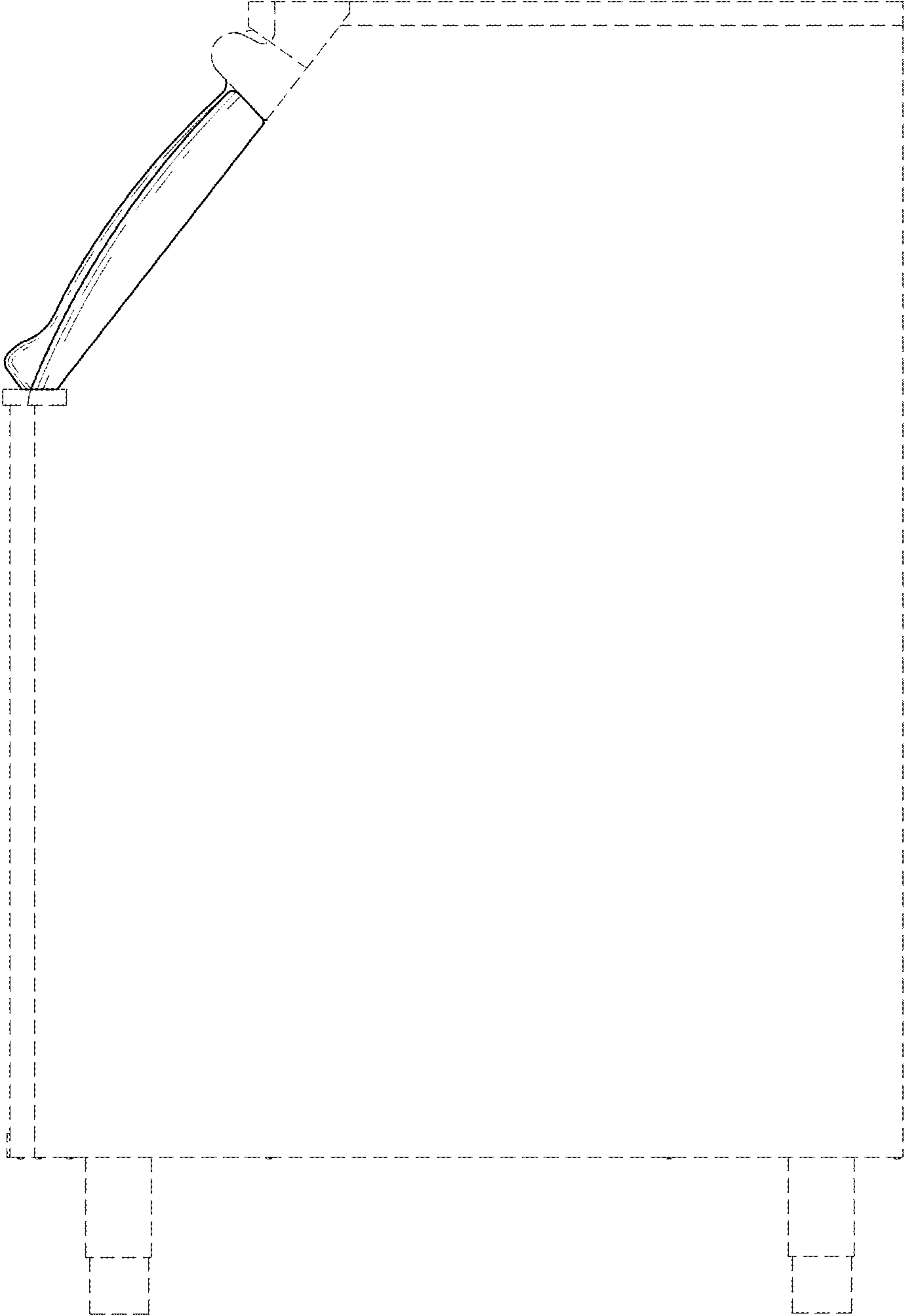


FIG. 6

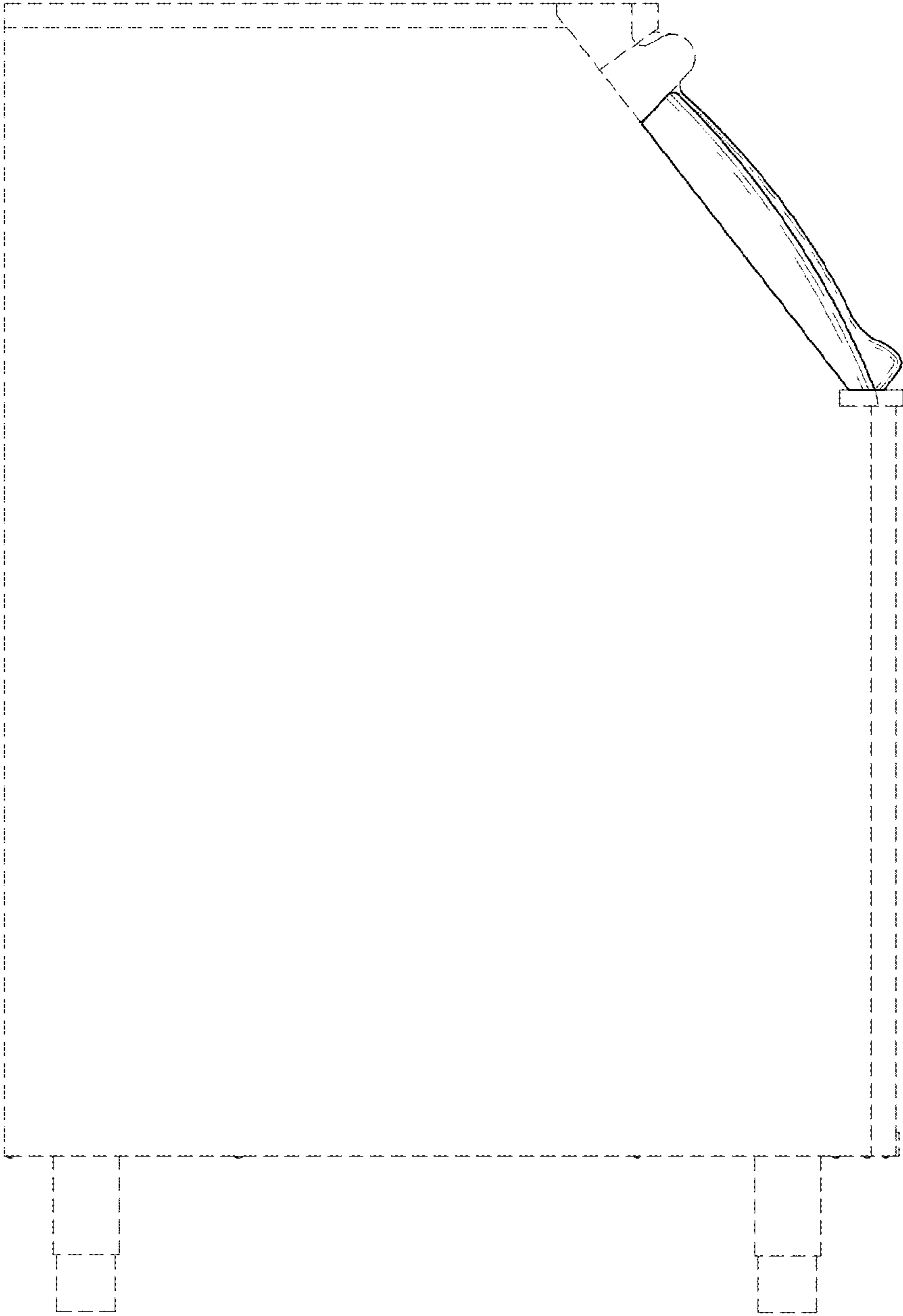


FIG. 7

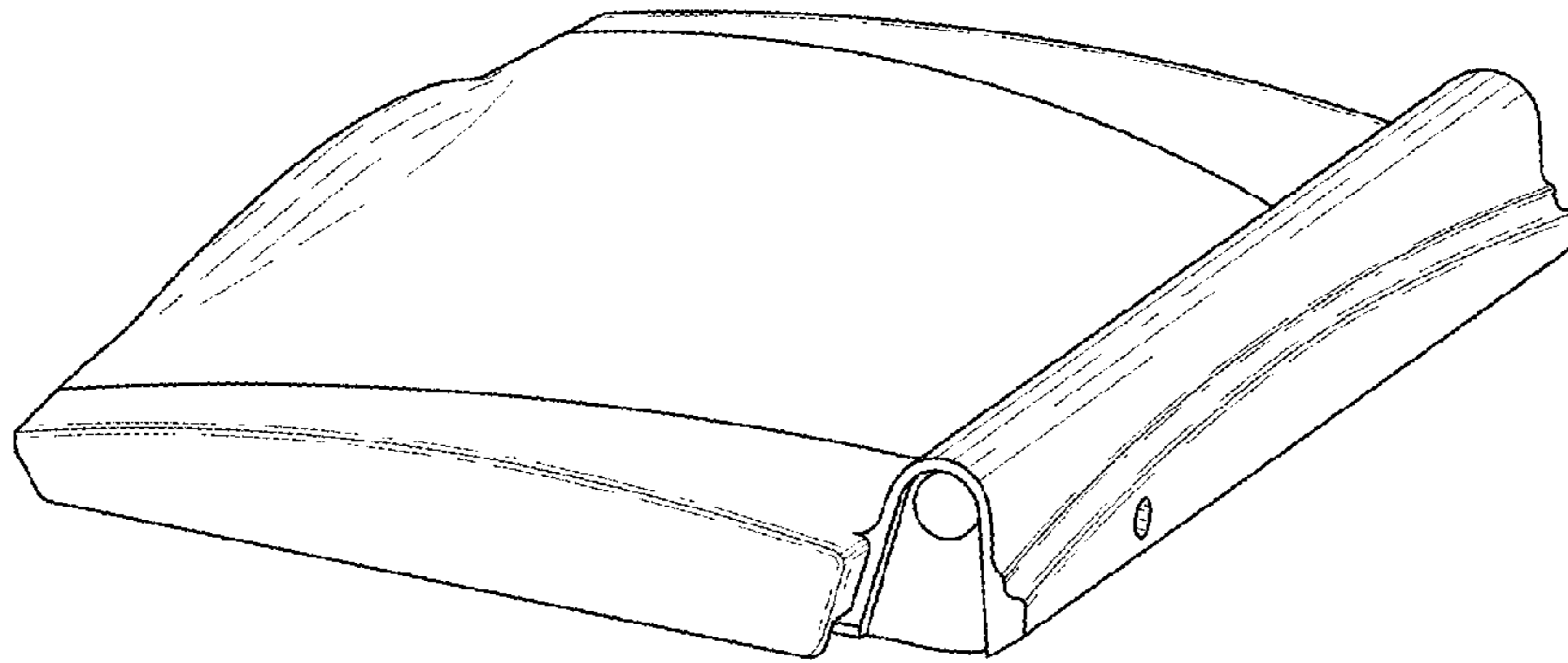


FIG. 8

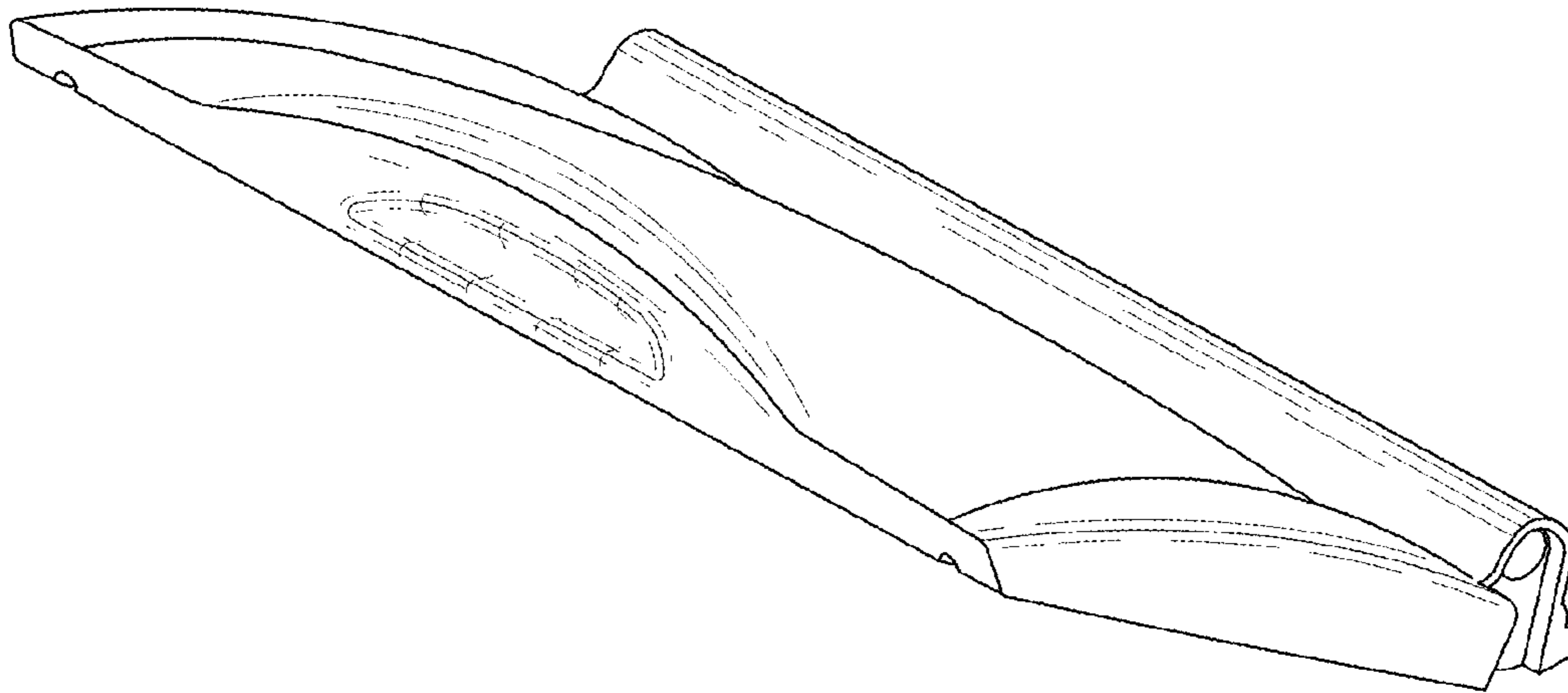


FIG. 9

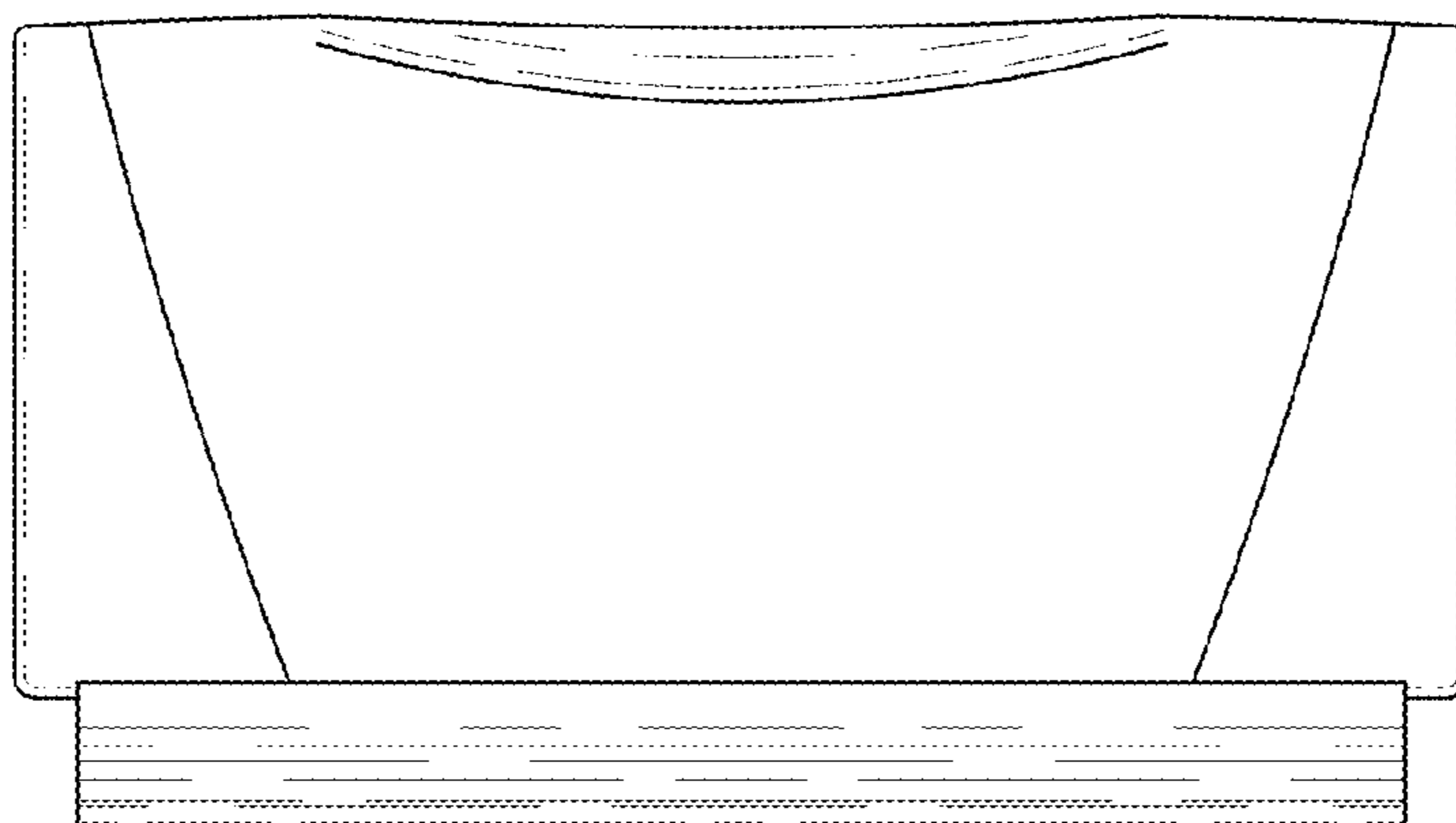


FIG. 10

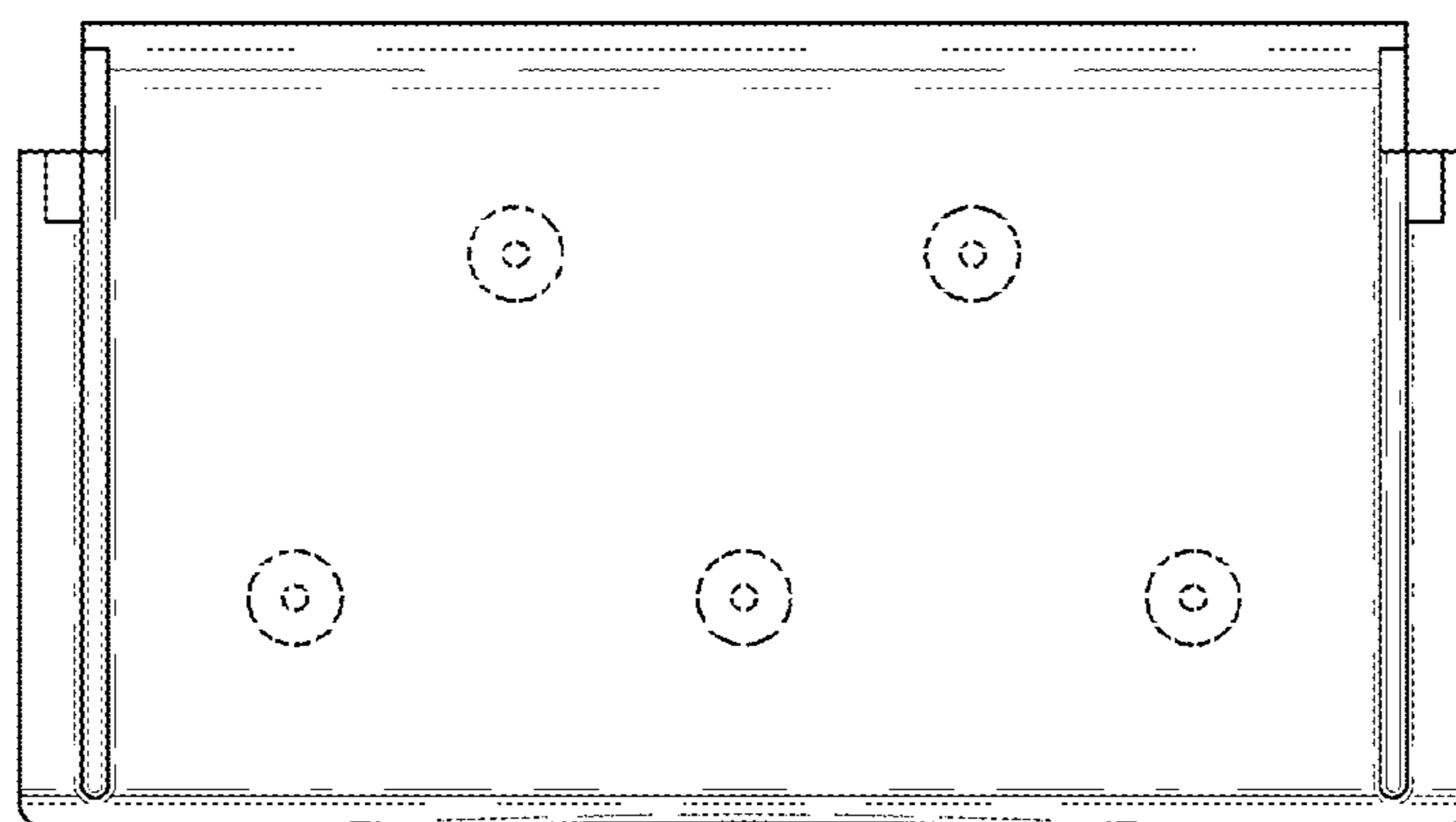


FIG. 11



FIG. 12



FIG. 13

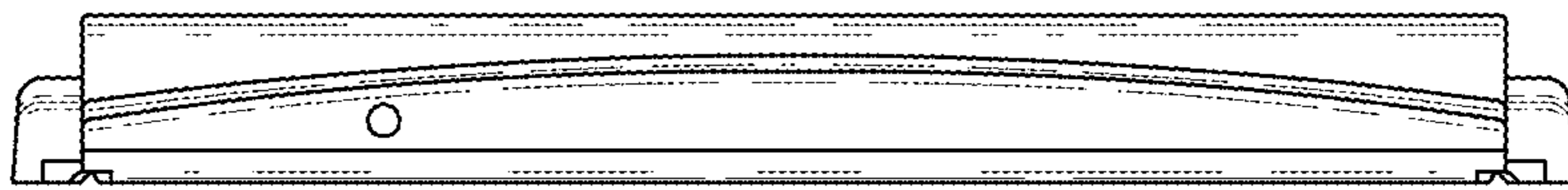


FIG. 14

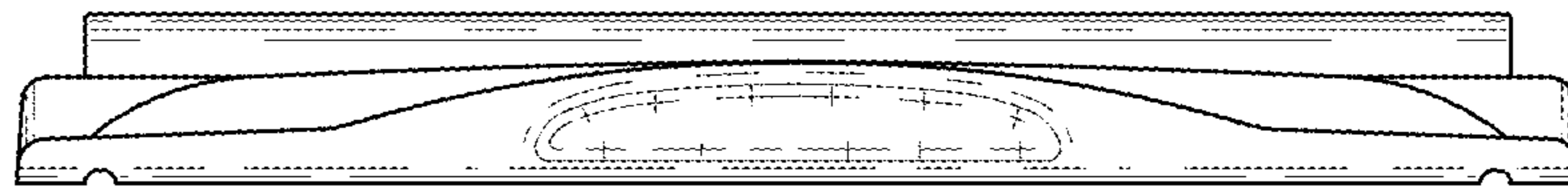


FIG. 15