



US00D734780S

(12) **United States Design Patent**
Little et al.

(10) **Patent No.:** **US D734,780 S**
(45) **Date of Patent:** **** Jul. 21, 2015**

- (54) **SEED SENSOR**
- (71) Applicant: **Deere & Company**, Moline, IL (US)
- (72) Inventors: **Rory B. Little**, Bettendorf, IA (US);
Joseph E. Davenport, Harwood, ND (US);
Gregory K. Harmelink, Moorhead, MN (US);
Nathan A. Mariman, Geneseo, IL (US);
Bryan M. Margaria, Apex, NC (US)
- (73) Assignee: **DEERE & COMPANY**, Moline, IL (US)
- (**) Term: **14 Years**

D542,745 S *	5/2007	Barnes et al.	D13/184
D550,167 S *	9/2007	Popa	D13/164
D564,972 S *	3/2008	Peterson	D13/162
D567,776 S *	4/2008	Wells	D13/184
D627,798 S *	11/2010	Berning et al.	D15/28
D627,800 S *	11/2010	Berning et al.	D15/28
D627,802 S *	11/2010	Berning et al.	D15/28
D628,603 S *	12/2010	Berning et al.	D15/28
D636,182 S *	4/2011	Yang	D3/294
D647,542 S *	10/2011	Zwettler	D15/28
D650,815 S *	12/2011	Pellervo Viertola et al.	..	D15/28
RE43,772 E *	10/2012	Mariman et al.	111/174
2004/0231575 A1 *	11/2004	Wilkerson et al.	111/127
2007/0084387 A1 *	4/2007	Mariman et al.	111/174
2009/0090284 A1 *	4/2009	Peterson et al.	111/185
2013/0192504 A1 *	8/2013	Sauder et al.	111/184
2014/0261118 A1 *	9/2014	Mayerle	111/184

* cited by examiner

- (21) Appl. No.: **29/481,003**
- (22) Filed: **Jan. 31, 2014**
- (51) **LOC (10) Cl.** **15-03**
- (52) **U.S. Cl.**
USPC **D15/28**
- (58) **Field of Classification Search**
USPC D15/10, 17, 22-26, 28; D12/192;
D13/184, 162, 164; D14/247, 285,
D14/415; D10/125; D34/28, 35; 220/811;
180/315, 89.1, 89.12, 235, 900;
414/273, 465, 454, 459, 460, 719, 694,
414/699, 722-724; 212/324, 326, 327
See application file for complete search history.

Primary Examiner — Mark Goodwin

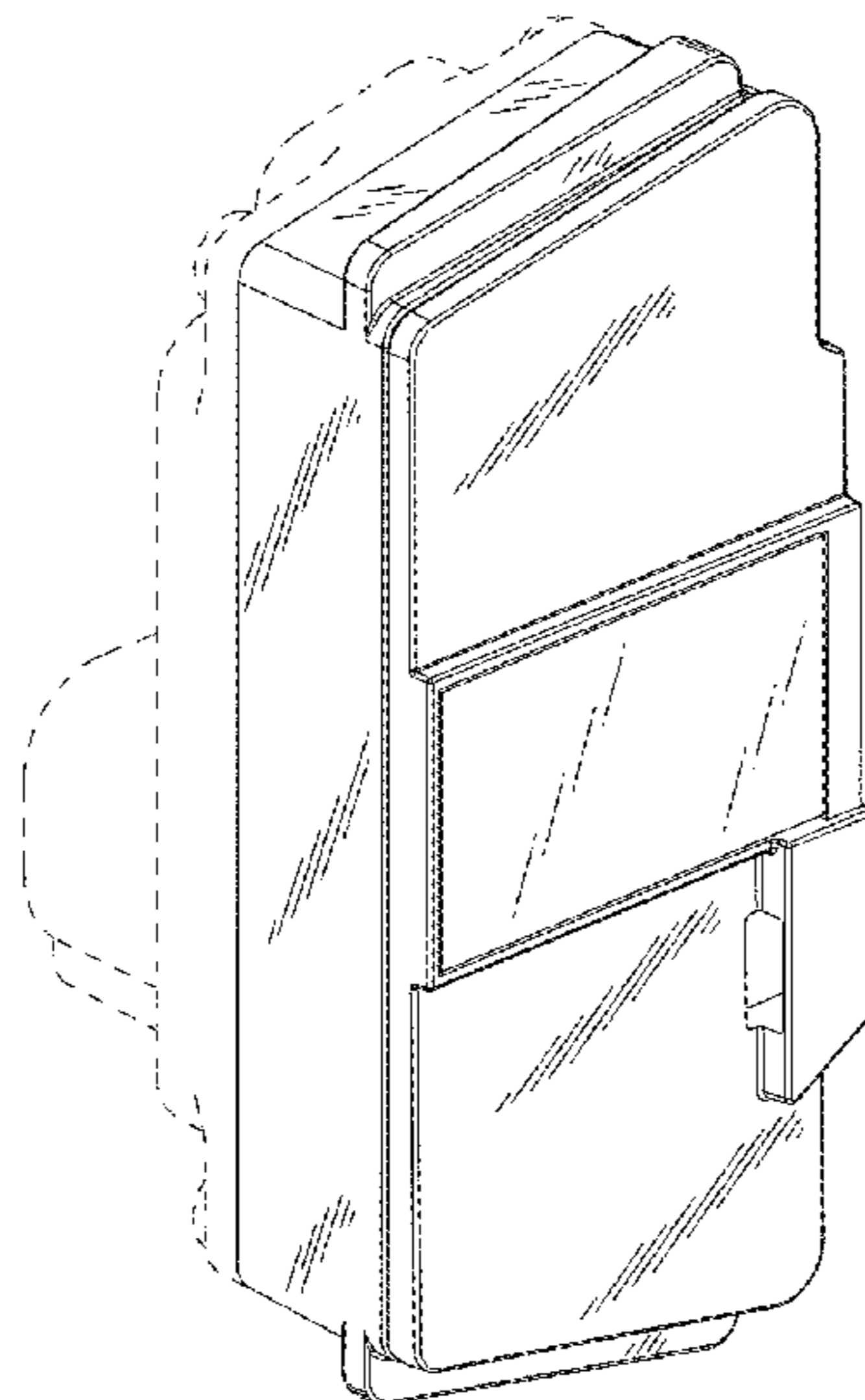
(57) **CLAIM**
The ornamental design for a seed sensor, as shown and described.

- (56) **References Cited**
U.S. PATENT DOCUMENTS
D311,520 S * 10/1990 Serio, Jr. D13/184
D435,566 S * 12/2000 Anderson D15/28
D437,328 S * 2/2001 Anderson D15/28
D513,497 S * 1/2006 Whitehouse D13/162
D533,092 S * 12/2006 Disselkoen et al. D10/50

DESCRIPTION

FIG. 1 is a left front perspective view of a seed sensor showing our new design.
 FIG. 2 is a right front perspective view thereof.
 FIG. 3 is a left side view thereof.
 FIG. 4 is a front view thereof.
 FIG. 5 is a top view thereof.
 FIG. 6 is a bottom view thereof.
 FIG. 7 is a right side view thereof; and,
 FIG. 8 is a rear view thereof.
 The broken line showing of an electrical connector is included for the purpose of illustrating environmental structure only and forms no part of the claimed design.

1 Claim, 4 Drawing Sheets



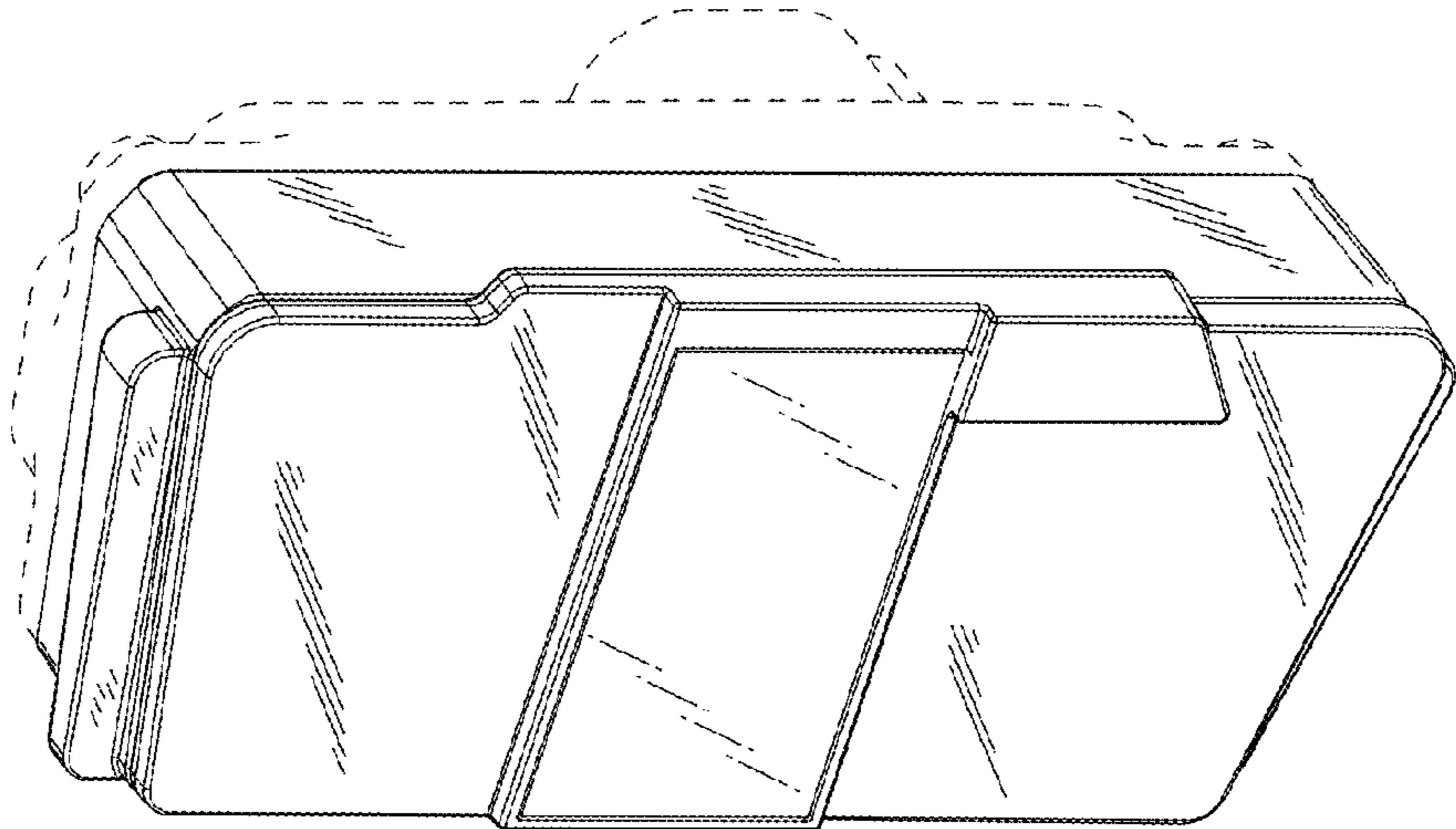


FIG. 2

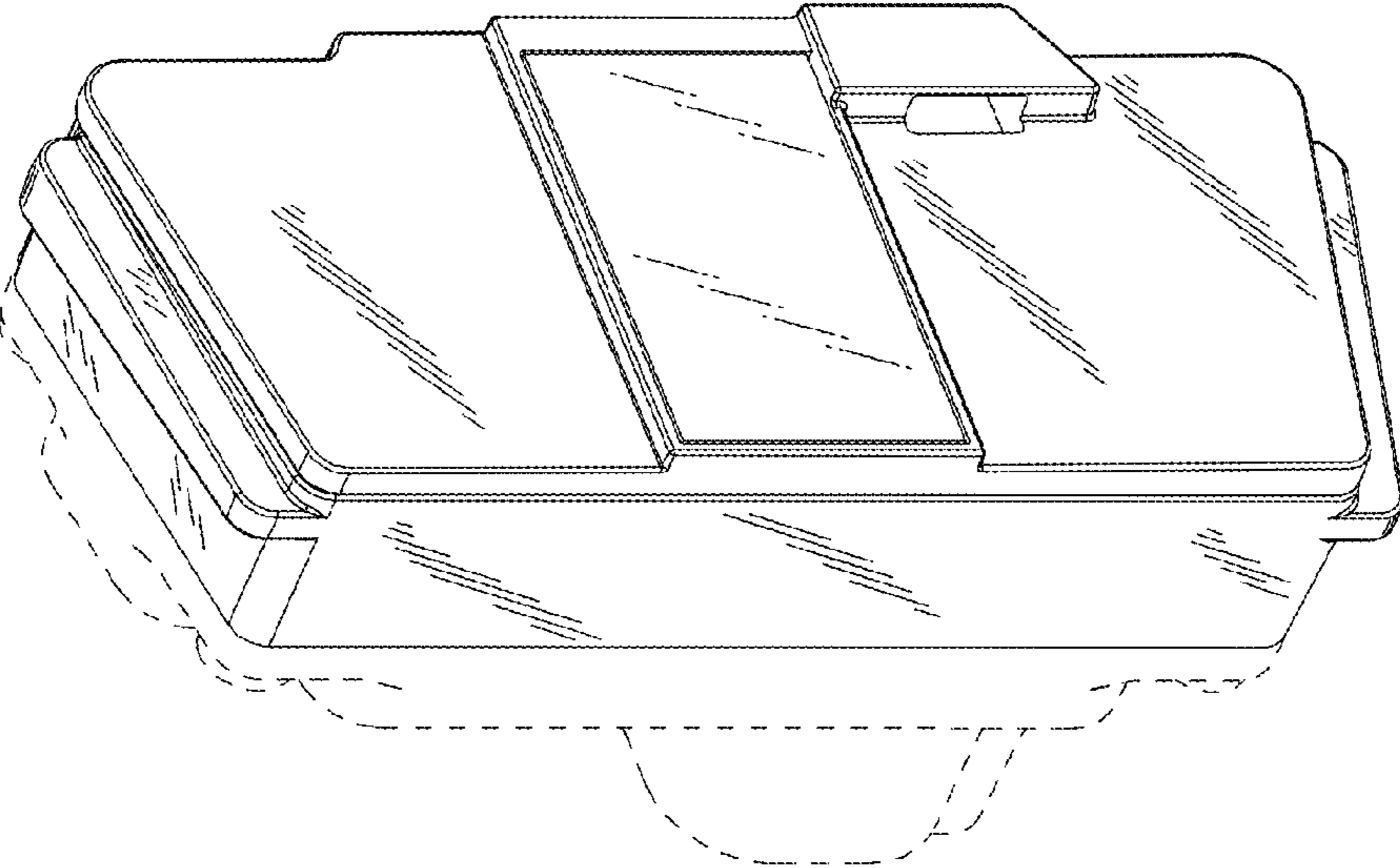


FIG. 1

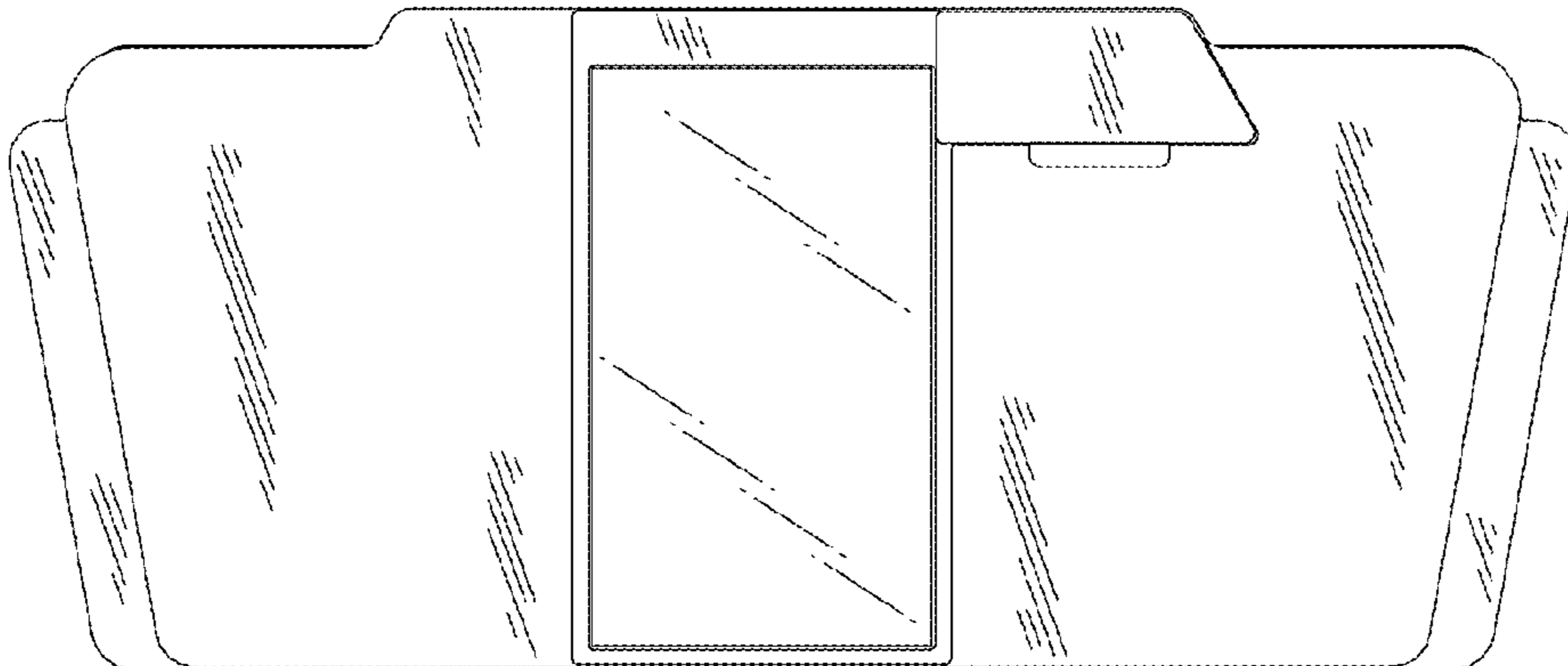


FIG. 4

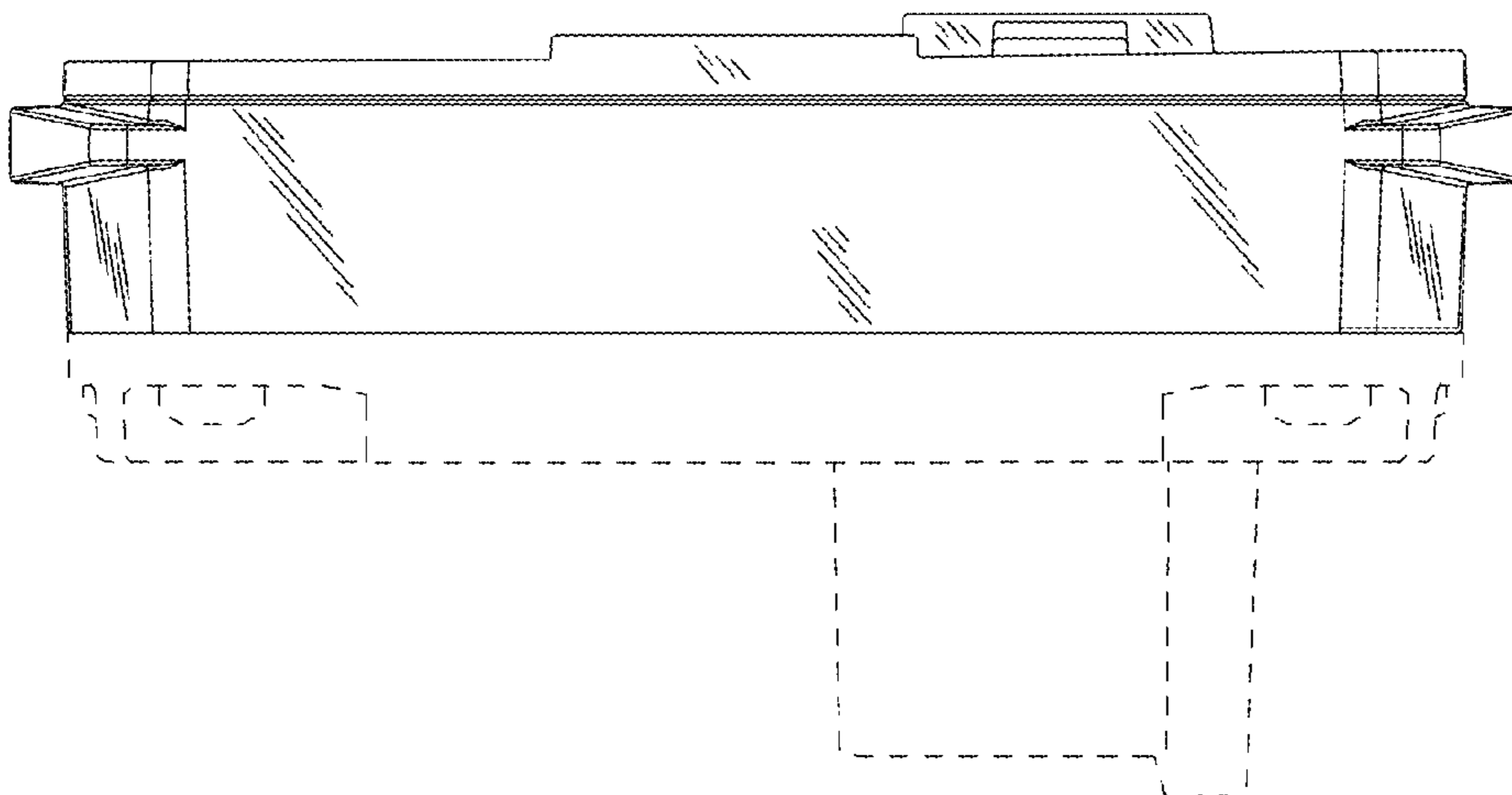


FIG. 3

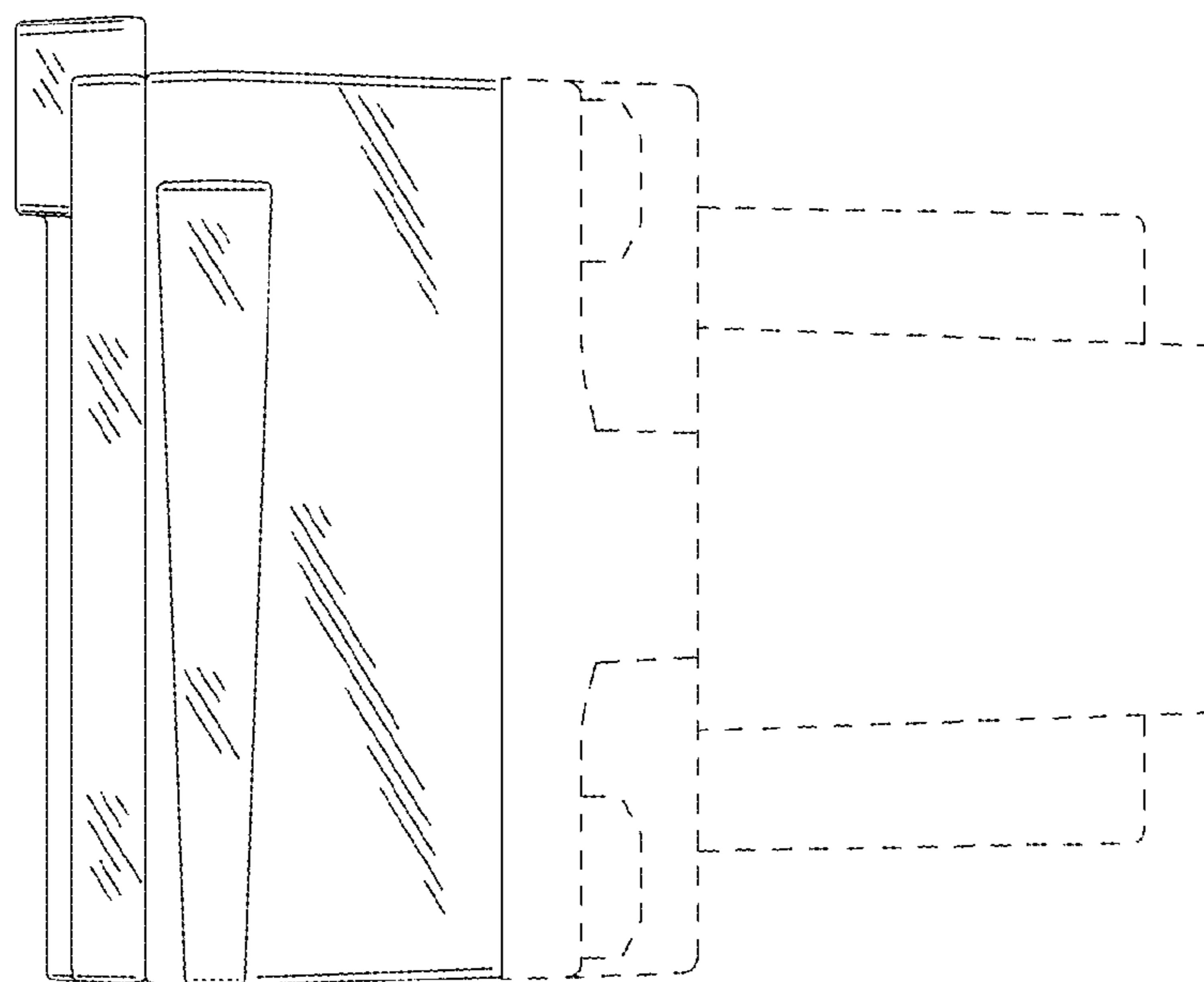


FIG. 6

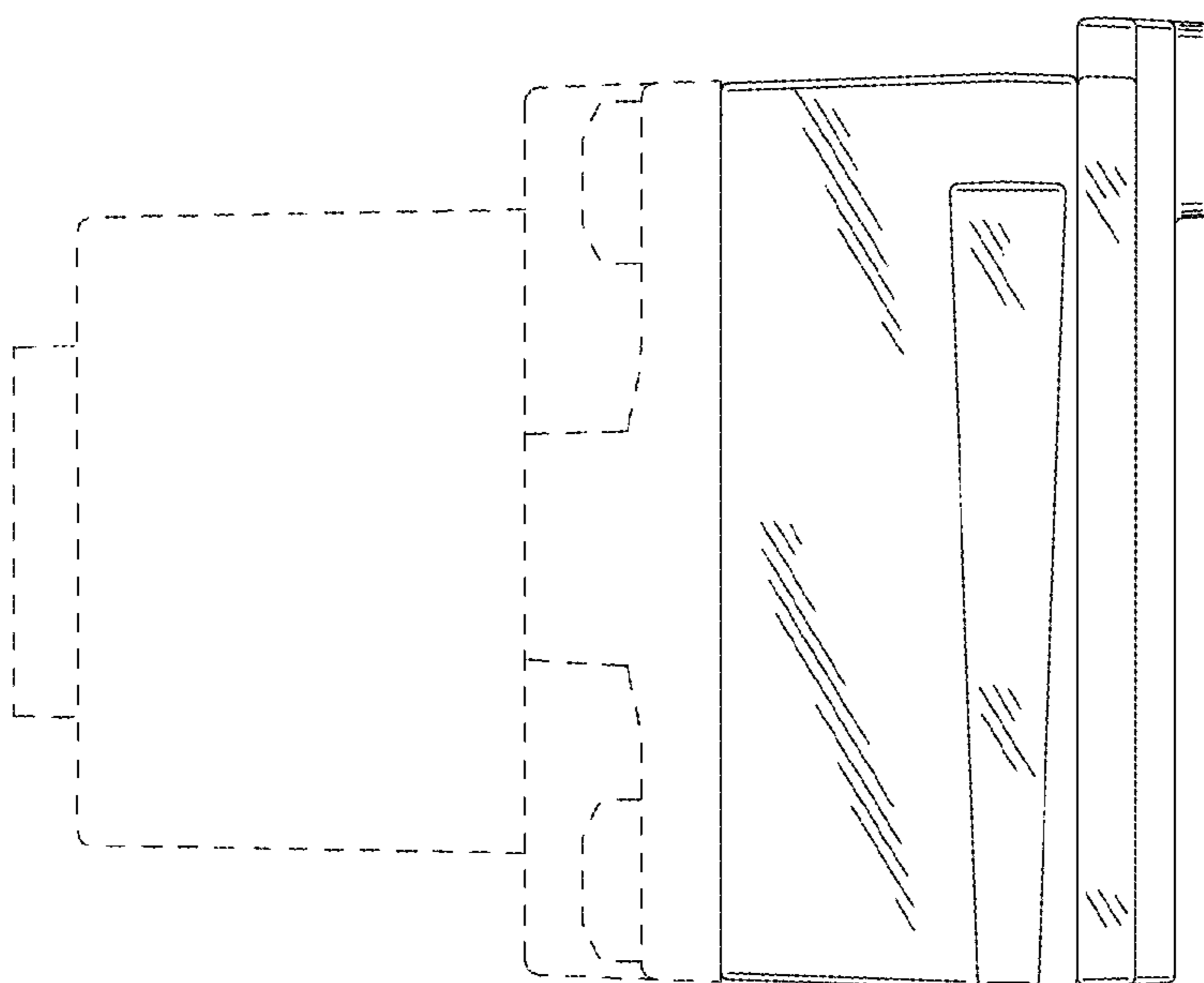


FIG. 5

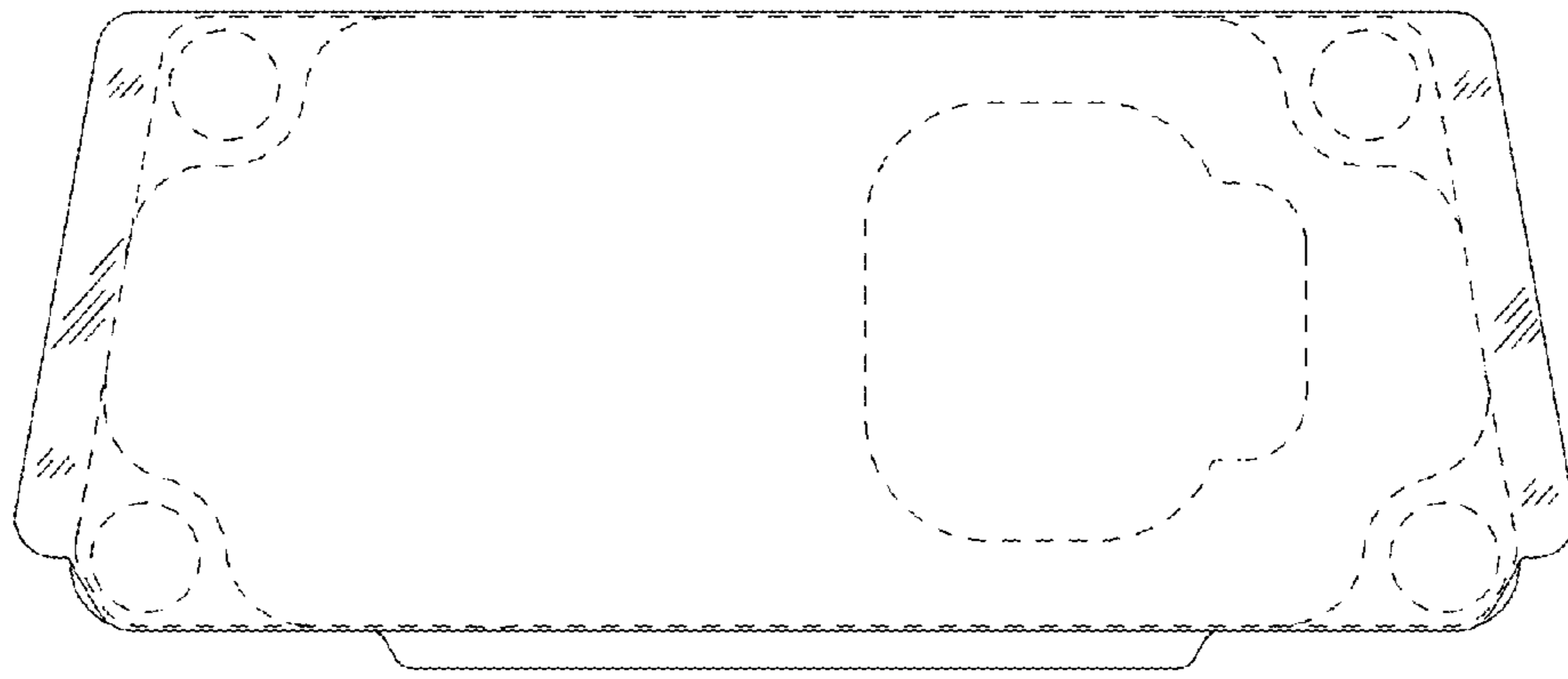


FIG. 8

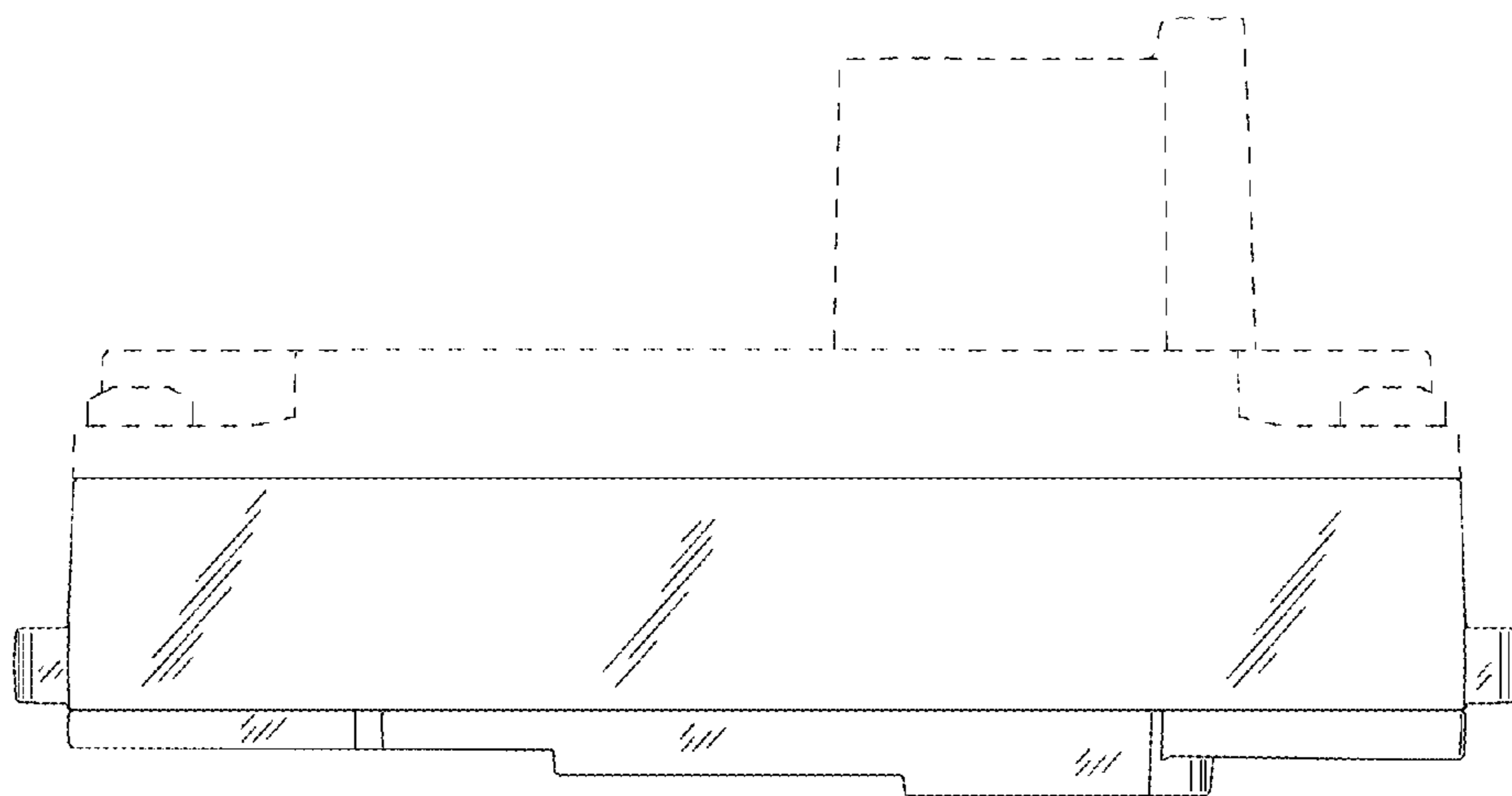


FIG. 7