



US00D734761S

(12) **United States Design Patent**
Ballou et al.

(10) **Patent No.:** **US D734,761 S**
(45) **Date of Patent:** **** Jul. 21, 2015**

- (54) **CASE FOR ELECTRONIC PAD**
- (71) Applicant: **Pelican Products, Inc.**, Torrance, CA (US)
- (72) Inventors: **Daniel Ballou**, Long Beach, CA (US);
Joven De La Vega, Downey, CA (US);
Dustin Bullock, Austin, TX (US)
- (73) Assignee: **PELICAN PRODUCTS, INC.**,
Torrance, CA (US)
- (**) Term: **14 Years**
- (21) Appl. No.: **29/477,433**
- (22) Filed: **Dec. 20, 2013**
- (51) **LOC (10) Cl.** **14-02**
- (52) **U.S. Cl.**
USPC **D14/440**
- (58) **Field of Classification Search**
USPC D14/440, 439, 432, 300; D3/276, 300,
D3/303
CPC G06F 1/1656; G06F 1/1628; G06F 1/16;
A45C 11/22; A45C 2011/003
See application file for complete search history.

(56) **References Cited**

U.S. PATENT DOCUMENTS

1,613,536	A *	1/1927	Rose	132/315
D230,376	S *	2/1974	Andrew	D19/91
4,259,568	A *	3/1981	Dynesen	235/1 D
5,847,698	A	12/1998	Reavey et al.	
6,269,948	B1	8/2001	Jackson	
6,772,879	B1 *	8/2004	Domotor	206/45.23
D499,551	S	12/2004	Lederer et al.	
D517,545	S	3/2006	Buckel et al.	
D517,911	S	3/2006	Alexander et al.	
7,281,698	B2 *	10/2007	Patterson, Jr.	248/458
7,414,833	B2 *	8/2008	Kittayapong	361/679.27
7,735,644	B2 *	6/2010	Sirichai et al.	206/320
D658,187	S *	4/2012	Diebel	D14/440
D658,188	S *	4/2012	Diebel	D14/440

D663,304	S *	7/2012	Akana et al.	D14/440
8,230,992	B2 *	7/2012	Law et al.	206/320
8,245,843	B1 *	8/2012	Wu	206/320
D669,480	S	10/2012	Piedra et al.	
8,312,991	B2 *	11/2012	Diebel et al.	206/45.24
D671,948	S *	12/2012	Akana et al.	D14/440
D672,353	S *	12/2012	Liu	D14/440
D672,781	S *	12/2012	Lu	D14/440
D674,799	S	1/2013	Kim	
D674,800	S	1/2013	Kim	
D675,625	S *	2/2013	Hasbrook et al.	D14/440
D678,260	S *	3/2013	Bau	D14/250
D679,279	S *	4/2013	Yang et al.	D14/440
D679,715	S *	4/2013	Akana et al.	D14/440
8,424,830	B2 *	4/2013	Yang et al.	248/459
D681,641	S *	5/2013	Van Den Nieuwenhuizen et al.	D14/440

(Continued)

OTHER PUBLICATIONS

US Office Action dated Oct. 15, 2014, from related U.S. Appl. No. 29/477,431.

Primary Examiner — Cynthia Underwood
(74) *Attorney, Agent, or Firm* — Foley & Larnder LLP

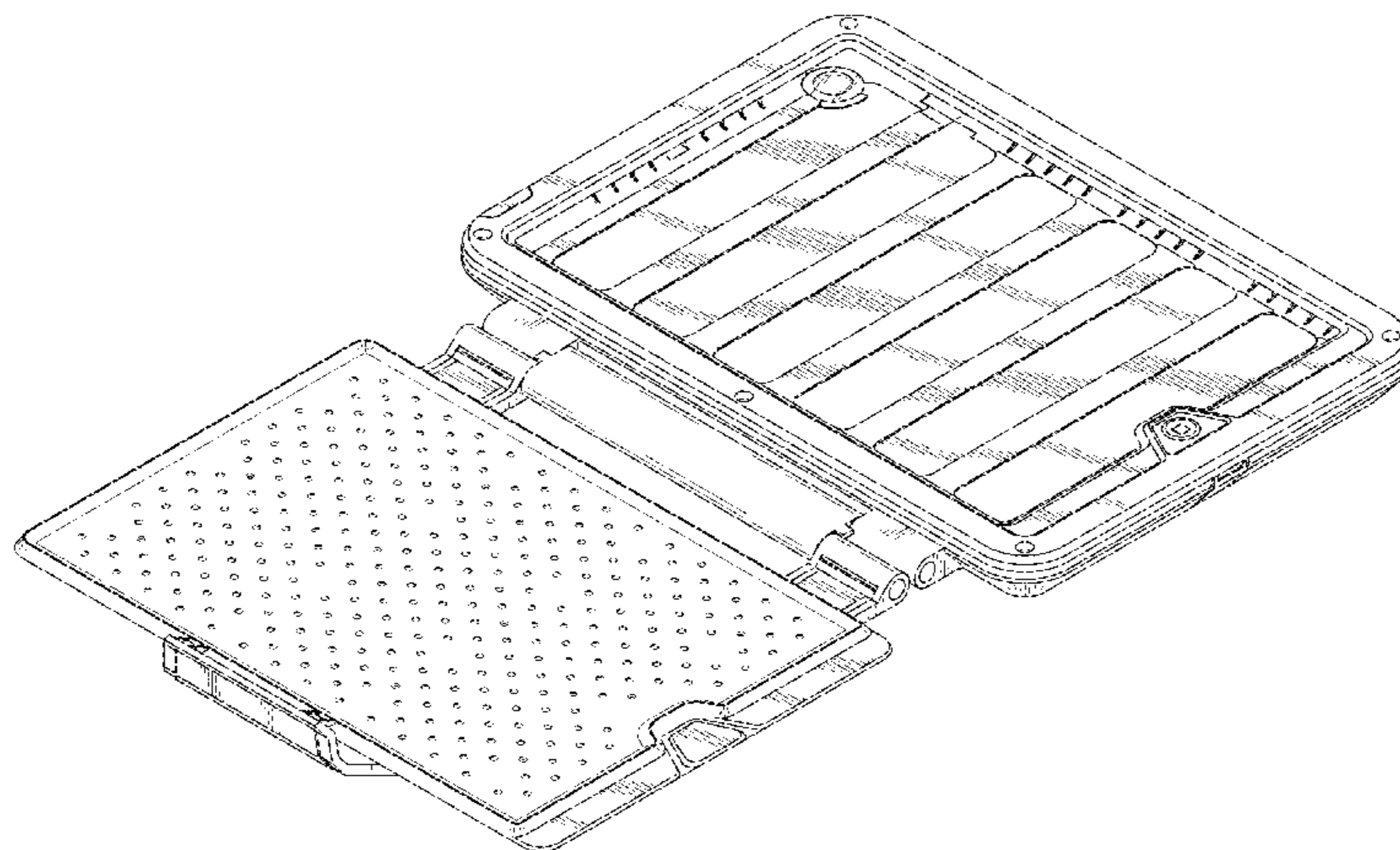
(57) **CLAIM**

We claim the ornamental design for a case for electronic pad, as shown and described.

DESCRIPTION

FIG. 1 is a perspective view of a case for electronic pad of the claimed design;
FIG. 2 is a front view thereof;
FIG. 3 is a rear view thereof;
FIG. 4 is a left view thereof;
FIG. 5 is a right view thereof
FIG. 6 is a top view thereof; and,
FIG. 7 is a bottom view thereof.
The broken lines in the drawings are for illustrative purposes only and form no part of the claimed design.

1 Claim, 5 Drawing Sheets



(56)

References Cited

U.S. PATENT DOCUMENTS

D682,836 S *	5/2013	Akana et al.	D14/440	8,763,795 B1 *	7/2014	Oten et al.	206/45.23
D682,838 S *	5/2013	Akana et al.	D14/440	8,766,921 B2 *	7/2014	Ballagas et al.	345/168
D683,141 S *	5/2013	Symons	D6/310	8,773,353 B2 *	7/2014	Wei	345/156
D687,438 S *	8/2013	Lu	D14/440	8,783,458 B2 *	7/2014	Gallagher et al.	206/320
D690,305 S *	9/2013	Wen	D14/440	D710,859 S *	8/2014	Mecchella et al.	D14/440
D690,702 S *	10/2013	Chung	D14/440	8,797,132 B2 *	8/2014	Childs et al.	335/219
D691,142 S *	10/2013	Diebel	D14/440	D723,041 S *	2/2015	Kim	D14/440
D692,434 S *	10/2013	Kim	D14/440	D724,090 S *	3/2015	Kim et al.	D14/440
D693,823 S *	11/2013	Chen et al.	D14/440	2003/0034263 A1 *	2/2003	D'Hoste	206/320
D695,296 S *	12/2013	Hsu	D14/440	2008/0302687 A1 *	12/2008	Sirichai et al.	206/320
D696,253 S *	12/2013	Akana et al.	D14/345	2009/0159763 A1 *	6/2009	Kim	248/174
D696,256 S *	12/2013	Piedra et al.	D14/440	2010/0110629 A1	5/2010	Dietz et al.	
D696,669 S *	12/2013	Akana et al.	D14/440	2010/0294683 A1	11/2010	Mish et al.	
D699,244 S	2/2014	Buckley		2011/0266194 A1 *	11/2011	Bau	206/736
8,640,864 B2 *	2/2014	Chen et al.	206/45.2	2011/0290687 A1 *	12/2011	Han	206/320
8,657,112 B2 *	2/2014	Igarashi	206/320	2012/0043234 A1	2/2012	Westrup	
D701,205 S *	3/2014	Akana et al.	D14/345	2012/0211377 A1 *	8/2012	Sajid	206/216
D702,673 S	4/2014	Murchison et al.		2012/0211613 A1 *	8/2012	Yang et al.	248/174
D704,689 S *	5/2014	Chang	D14/250	2012/0212896 A1	8/2012	Schulz	
D704,693 S *	5/2014	Kim	D14/250	2012/0305413 A1 *	12/2012	Chung	206/45.23
D706,270 S *	6/2014	Akana et al.	D14/440	2012/0308981 A1 *	12/2012	Libin et al.	434/362
D706,783 S	6/2014	Almodova		2013/0015088 A1 *	1/2013	Wu	206/320
D707,229 S	6/2014	Almodova		2013/0020216 A1 *	1/2013	Chiou	206/320
8,757,375 B2 *	6/2014	Huang	206/320	2013/0140203 A1 *	6/2013	Chiang	206/320
D708,838 S *	7/2014	Lee	D3/201	2013/0213838 A1 *	8/2013	Tsai et al.	206/320
					2013/0214661 A1 *	8/2013	McBroom	312/325
					2013/0241381 A1 *	9/2013	Hynecek et al.	312/240
					2013/0264459 A1 *	10/2013	McCosh et al.	248/688

* cited by examiner

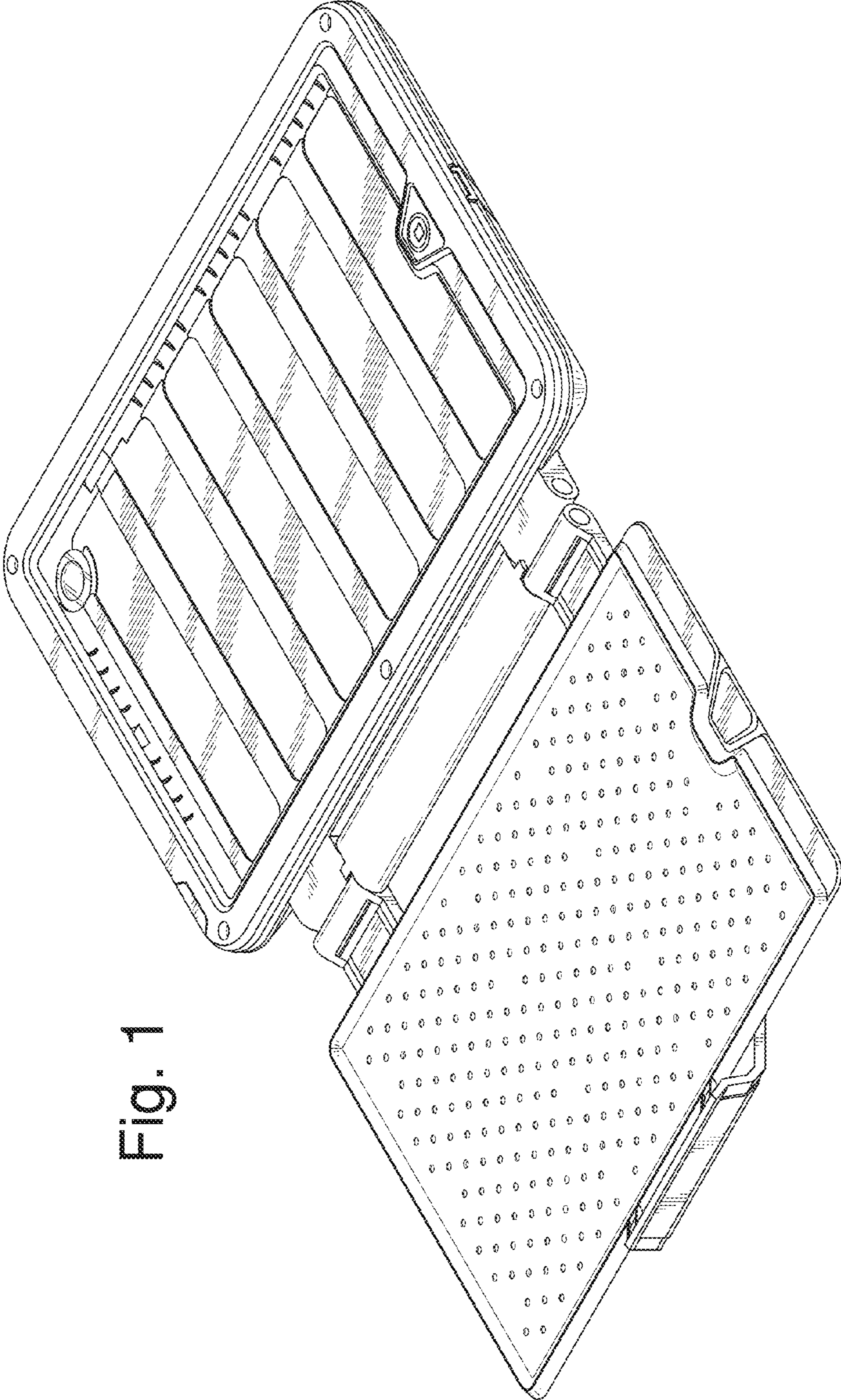


Fig. 1

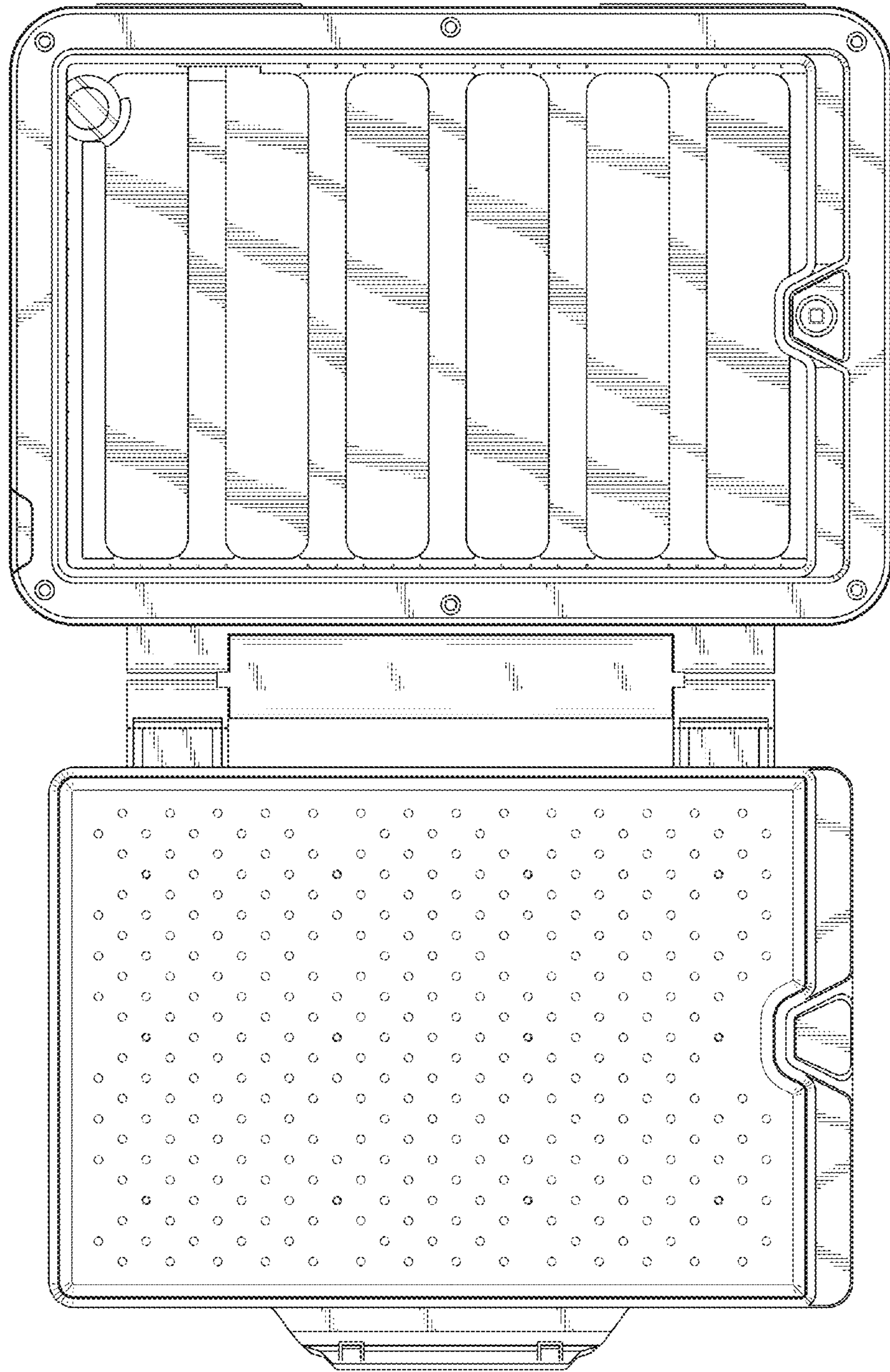


Fig. 2

Fig. 3

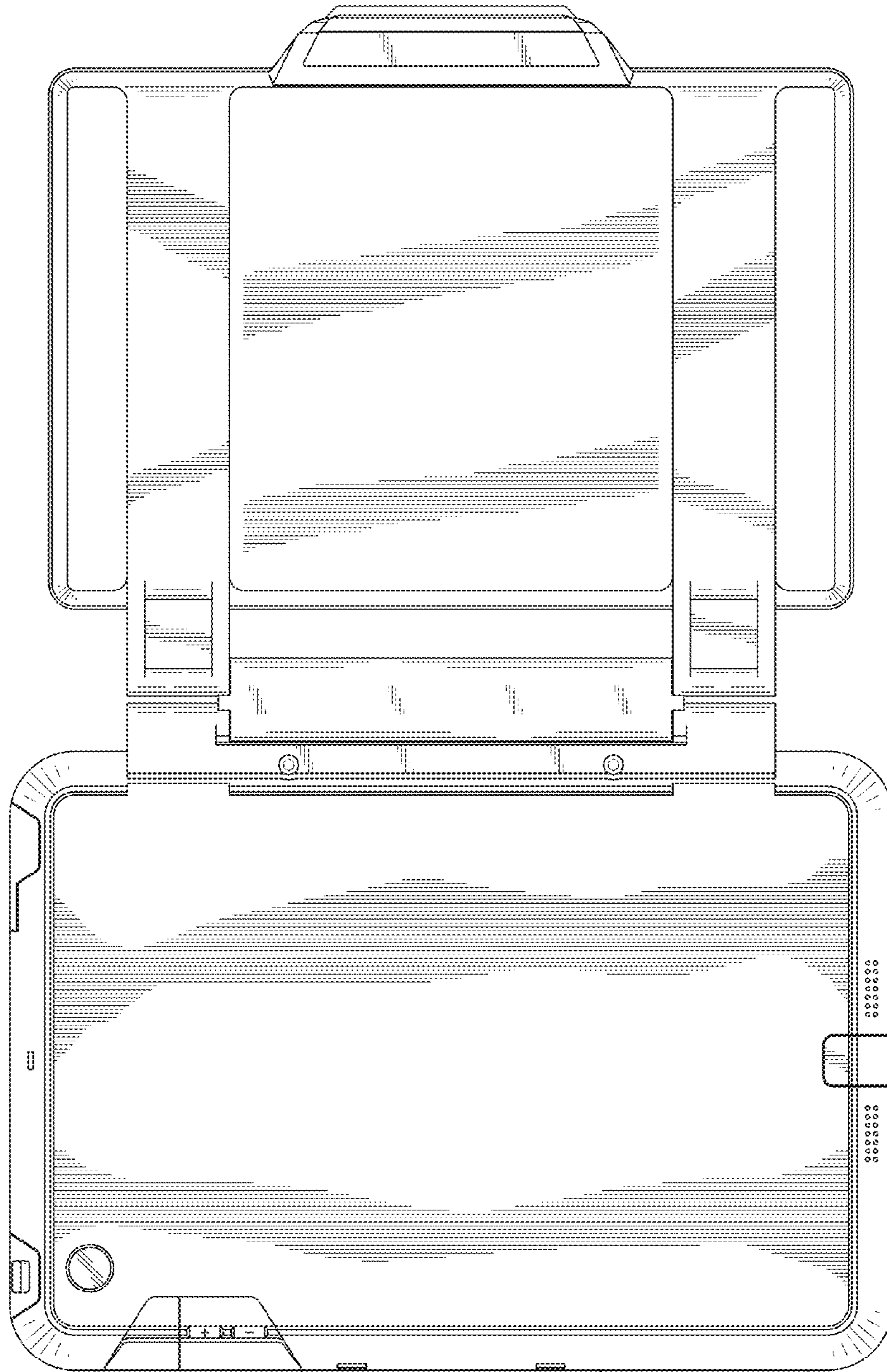


Fig. 4

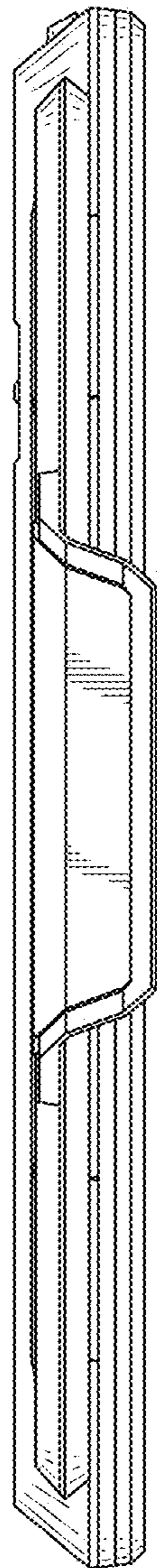


Fig. 5

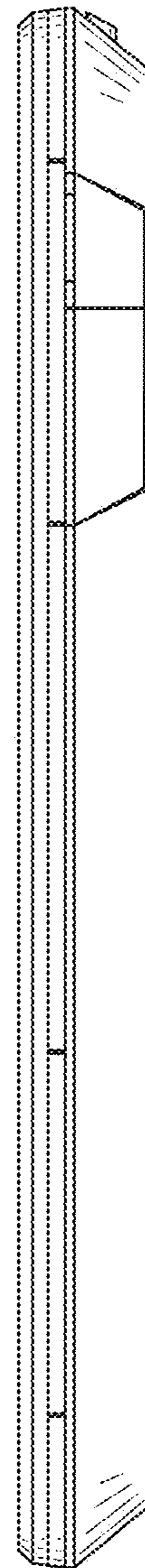


Fig. 6

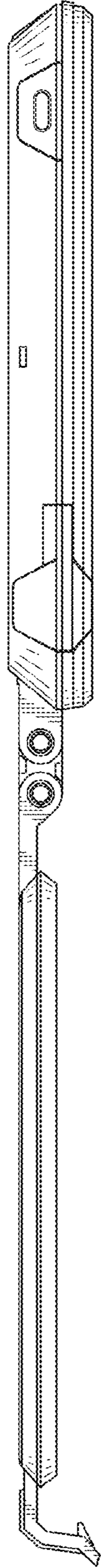


Fig. 7

