

US00D734756S

(12) **United States Design Patent**  
**Stone et al.**

(10) **Patent No.:** **US D734,756 S**  
(45) **Date of Patent:** **\*\* Jul. 21, 2015**

(54) **REDUCED LENGTH MEMORY CARD**

(71) Applicant: **PNY Technologies, Inc.**, Parsippany, NJ (US)

(72) Inventors: **Robert Stone**, Easton, PA (US); **Joseph Pluchino**, Budd Lake, NJ (US)

(73) Assignee: **PNY Technologies, Inc.**, Parsippany, NJ (US)

(\*\*) Term: **14 Years**

(21) Appl. No.: **29/487,073**

(22) Filed: **Apr. 4, 2014**

(51) **LOC (10) Cl.** ..... **14-02**

(52) **U.S. Cl.**  
USPC ..... **D14/436**

(58) **Field of Classification Search**

USPC ..... D14/435-438, 478-480; 235/441, 443, 235/487, 492, 493, 495; 361/737, 679, 752, 361/736, 728, 796, 797, 729, 730, 361/725-727; 257/678, 679, 693, E23.064; 439/946, 948, 159; 174/250, 260, 52.1, 174/52.2; 710/300-303; 438/121  
CPC ..... G06K 19/06196; G06K 19/072; G06K 19/0721; G06K 19/0722; G06K 19/0723; G06K 19/0724; G06K 19/0725; G06K 19/0726; G06K 19/0727; G06K 19/0728; G06K 19/073; G06K 19/07309; G06K 19/077; G06K 19/07701; G06K 19/07715; G06K 19/0772; G06K 19/07722; G06K 19/07724; G06K 19/07726; G06K 19/07728; G06K 19/0773; G06K 19/07735; G06K 19/07737; G06K 19/07739; G06K 19/07741; G06K 19/07743; G06K 19/07745; G06K 19/07747; G06K 19/07749; G06K 19/07758; G06K 19/07767; G06K 19/07769; G06K 19/07771; G06K 19/07773; G06K 19/07775; G06K 19/083; G06K 19/086; G06K 19/145; G06K 19/18; G06K 2215/0022; G06K 2215/0025; G06K 2215/0028; G06K 2215/0031; G06K 2215/004; G06K 2215/0082; G06F

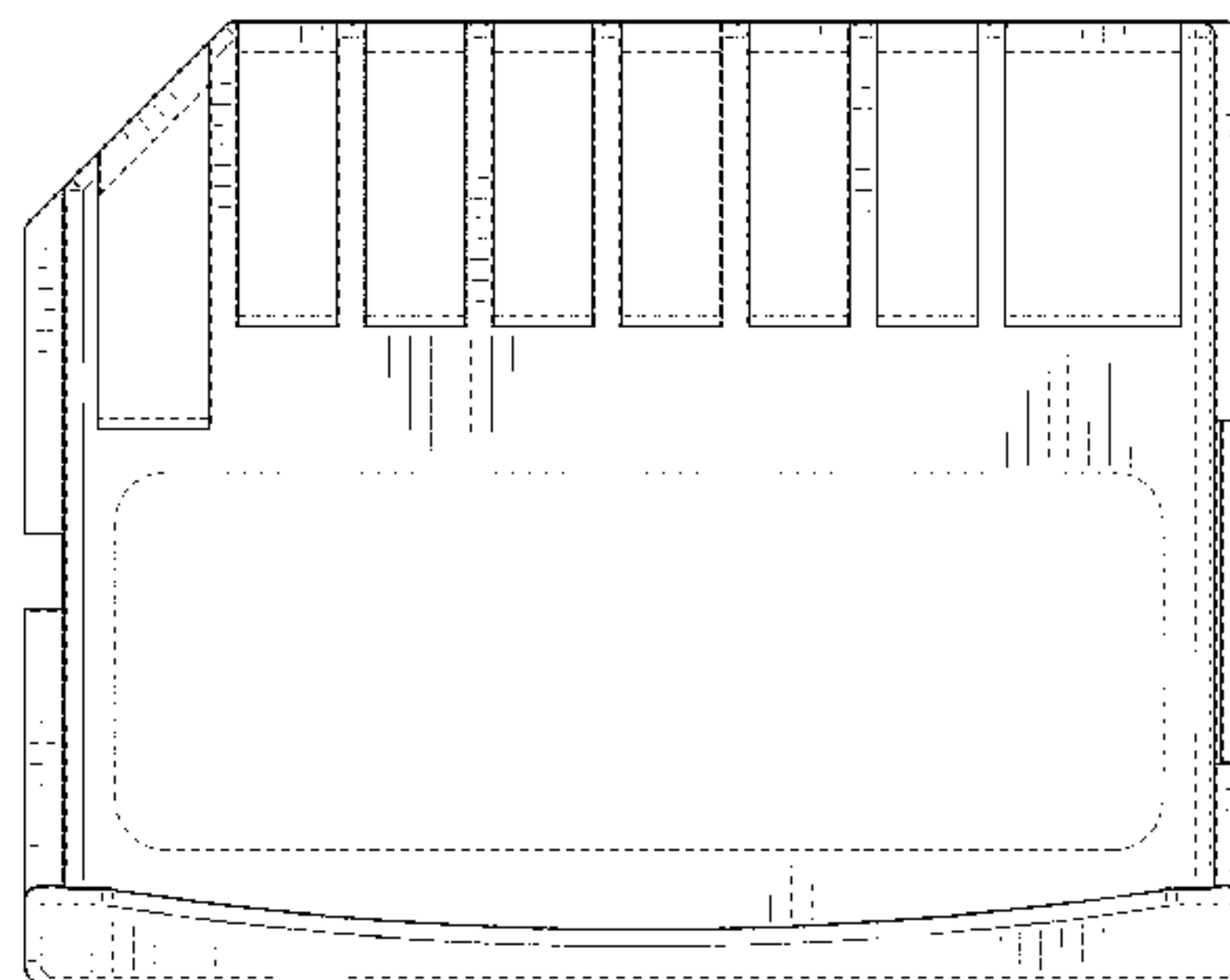
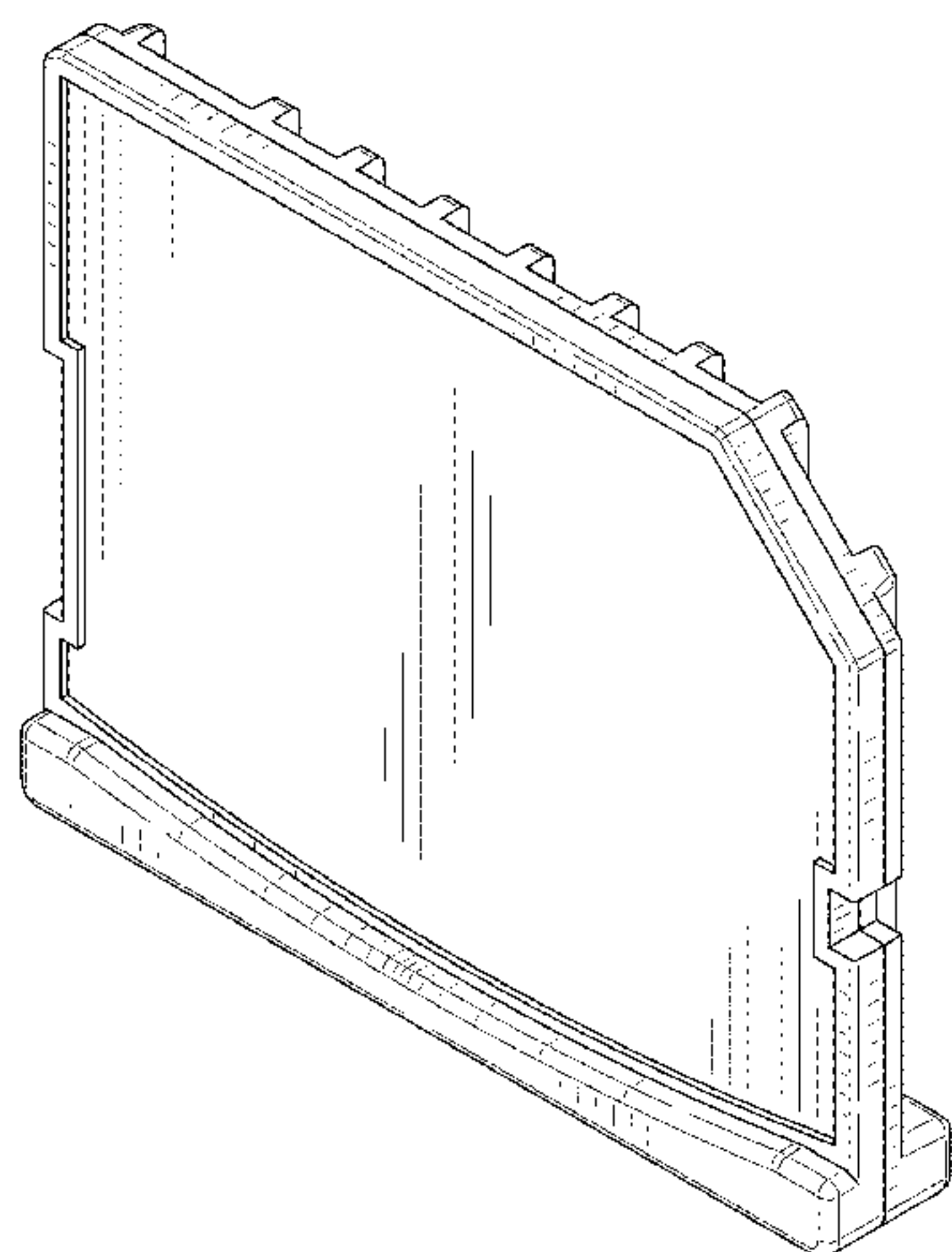
21/77-21/80; G06F 21/85-21/88; G06F 21/00; G06Q 20/3229; G06Q 20/34; G06Q 20/341; G06Q 20/346; G06Q 20/349; G06Q 20/3563; G06Q 20/3567; G06Q 20/357; G06Q 20/3576; H05K 5/026; H05K 5/0256; H05K 5/0265; H05K 5/0269; H05K 5/0273; H05K 5/0278; H05K 5/0282; H05K 5/0286; H05K 5/0291; H05K 5/0295; H05K 5/03; H05K 5/04; H05K 5/06; H05K 5/061; H05K 5/062; H05K 5/063; H05K 5/064; H05K 5/065; H05K 5/066; H05K 5/067; H05K 5/068; H05K 5/069; H05K 7/00; H05K 7/005; H05K 7/02; H05K 7/023; H05K 7/026; H05K 7/04; H05K 7/10; H05K 7/1418; H05K 7/142; H05K 7/1424; H05K 7/1427-7/1439; H05K 7/1461; H05K 7/1464-7/1474; H05K 7/1479; H05K 7/1481; H05K 7/1485-7/1488; H05K 2201/09745; H05K 2201/09754; H05K 2201/09763; H05K 2201/09772; H05K 2201/098; H05K 2201/10174; H05K 2201/10212; H05K 2201/1028; H05K 2201/1031; H05K 2201/10431; H05K 2201/10446; H05K 2201/10462; H05K 2201/10545; H05K 2201/10553; H05K 2201/1056; H05K 2201/10621; H05K 2201/10636; H05K 2203/05; H05K 3/368; H05K 3/3436; H05K 3/36; H05K 3/40; H05K 3/4007; H05K 3/4015; H05K 3/403; H05K 3/4053; H05K 2201/09818; H05K 2201/10; H05K 2201/10007; H05K 2201/10098; H05K 2201/10143; H05K 2201/10159; H05K 3/4092; H05K 3/42; H05K 3/421; H05K 3/46; H05K 1/14; H05K 1/141; H05K 1/142; H05K 1/144; H05K 1/145; H05K 1/182; H04N 2201/216

See application file for complete search history.

(56) **References Cited**

**U.S. PATENT DOCUMENTS**

D364,861 S \* 12/1995 Luong ..... D14/436  
D445,797 S \* 7/2001 Lee et al. .... D14/436  
6,381,143 B1 \* 4/2002 Nakamura ..... 361/737  
D467,586 S \* 12/2002 Shimoda et al. .... D14/436





D474,774	S *	5/2003	Taniguchi et al. ....	D14/436
D475,056	S *	5/2003	Taniguchi et al. ....	D14/436
D475,713	S *	6/2003	Taniguchi et al. ....	D14/436
D476,012	S *	6/2003	Taniguchi et al. ....	D14/436
D479,845	S *	9/2003	Taniguchi et al. ....	D14/436
6,628,524	B1 *	9/2003	Washino et al. ....	361/737
6,636,773	B1 *	10/2003	Tagawa et al. ....	700/94
D487,747	S *	3/2004	Yu et al. ....	D14/436
D492,687	S *	7/2004	Yu et al. ....	D14/436
D493,798	S *	8/2004	Yu et al. ....	D14/436
D494,180	S *	8/2004	Taniguchi ....	D14/436
6,784,527	B2	8/2004	Fukunaga	
6,816,386	B2 *	11/2004	Oguchi et al. ....	361/769
6,858,925	B2 *	2/2005	Wada et al. ....	257/679
D504,433	S *	4/2005	Nishizawa et al. ....	D14/436
6,979,227	B2 *	12/2005	Ikeda ....	439/630
7,009,846	B1 *	3/2006	Wang et al. ....	361/737
7,059,871	B1 *	6/2006	Hsiao ....	439/76.1
D525,623	S *	7/2006	Takiar et al. ....	D14/436
D529,031	S *	9/2006	Huang et al. ....	D14/436
D530,331	S *	10/2006	Yao ....	D14/436
D533,556	S *	12/2006	Yamada et al. ....	D14/436
D537,824	S *	3/2007	Day et al. ....	D14/436
D542,797	S *	5/2007	Cuellar et al. ....	D14/436
7,239,011	B2	7/2007	Wada et al.	
D552,099	S *	10/2007	Nishizawa et al. ....	D14/436
D552,612	S *	10/2007	Nishizawa et al. ....	D14/436
D554,123	S *	10/2007	Day et al. ....	D14/436
7,307,848	B2	12/2007	Takiar	
7,336,498	B2 *	2/2008	Takiar et al. ....	361/737
7,410,376	B2 *	8/2008	Ying et al. ....	439/159
7,433,196	B1 *	10/2008	Wang et al. ....	361/752
D581,932	S *	12/2008	Nishizawa et al. ....	D14/436
D585,068	S *	1/2009	Elliott et al. ....	D14/436
D588,598	S *	3/2009	Nakamura ....	D14/436
7,629,679	B2 *	12/2009	Park ....	257/679
7,795,714	B2 *	9/2010	Hiew et al. ....	257/679
7,804,163	B2 *	9/2010	Hiew et al. ....	257/679
7,813,137	B2 *	10/2010	Gu et al. ....	361/737
7,855,099	B2 *	12/2010	Ni et al. ....	438/106
D641,050	S *	7/2011	Matsui et al. ....	D21/332
8,060,131	B2 *	11/2011	Shin et al. ....	455/550.1
8,097,939	B2 *	1/2012	Okada ....	257/679
8,102,658	B2 *	1/2012	Hiew et al. ....	361/737
D667,830	S *	9/2012	Seoc et al. ....	D14/436
D670,292	S *	11/2012	Komatani et al. ....	D14/436
D688,668	S *	8/2013	Ben-Gad et al. ....	D14/436
8,637,978	B2 *	1/2014	Takiar et al. ....	257/704
D700,183	S *	2/2014	Ridyard ....	D14/436
D704,192	S *	5/2014	Ridyard ....	D14/436
2005/0021909	A1 *	1/2005	Much et al. ....	711/115
2005/0185371	A1 *	8/2005	Kuroda et al. ....	361/684
2005/0192686	A1 *	9/2005	Hirota et al. ....	700/94
2005/0279838	A1 *	12/2005	Wang et al. ....	235/492
2007/0099340	A1 *	5/2007	Takiar et al. ....	438/106
2007/0126099	A1 *	6/2007	Aoki et al. ....	257/679
2007/0228536	A1 *	10/2007	Aoki ....	257/678
2007/0263365	A1 *	11/2007	Yamada et al. ....	361/737
2008/0030963	A1 *	2/2008	Middlekauff et al. ....	361/737
2008/0225498	A1 *	9/2008	Osako et al. ....	361/737
2011/0090277	A1	4/2011	Pomerantz et al.	

2012/0117315	A1 *	5/2012	Okada ....	711/103
2013/0258576	A1 *	10/2013	Ben-Gad et al. ....	361/679.32
2014/0106621	A1 *	4/2014	Wu ....	439/630
2014/0127947	A1 *	5/2014	Han ....	439/630
2014/0301032	A1 *	10/2014	Stone et al. ....	361/679.32

OTHER PUBLICATIONS

International Search Report of the International Searching Authority mailed on Aug. 25, 2014, issued in connection with International Application No. PCT/US2014/032981 (3 pages).  
 Written Opinion mailed on Aug. 25, 2014, issued in connection with International Application No. PCT/US2014/032981 (4 pages).  
 Project "Gameboy Advance Cartridge Battery Replacement," dated Feb. 9, 2011, printed from the Internet, <http://projectrepair.blogspot.com/2011/02/project-gameboy=advance-cartridge.html> (5 pages).  
 Chapter 3 entitled "Card Physical," from CF+and CompactFlash Specification Revision 3.0, dated Dec. 23, 2004, CompactFlash Association (21 pages).  
 Micro SD Card Product Specification Version 1.0, dated Oct. 24, 2005, TwinMOS Technology, Inc. (13 pages).  
 Pages from Toshiba SD Card Specification, dated Feb. 10, 2003, Toshiba Corporation (3 pages).

\* cited by examiner

Primary Examiner — Susan Moon Lee  
 (74) Attorney, Agent, or Firm — McCarter & English, LLP

(57) CLAIM

What is claimed is an ornamental design for a reduced length memory card, as shown and described.

DESCRIPTION

FIG. 1 is a perspective view of a reduced length memory card showing our new design;  
 FIG. 2 is a front elevation view thereof;  
 FIG. 3 is a rear elevation view thereof;  
 FIG. 4 is a right side elevation view thereof;  
 FIG. 5 is a left side elevation view thereof;  
 FIG. 6 is a top plan view thereof;  
 FIG. 7 is a bottom view thereof;  
 FIG. 8 is a perspective view of a second embodiment of the reduced length memory card;  
 FIG. 9 is a front elevation view thereof;  
 FIG. 10 is a rear elevation view thereof;  
 FIG. 11 is a right side elevation view thereof;  
 FIG. 12 is a left side elevation view thereof;  
 FIG. 13 is a top plan view thereof; and,  
 FIG. 14 is a bottom view thereof.  
 Broken lines and entirely unshaded portions contained within broken lines are not claimed.

1 Claim, 7 Drawing Sheets

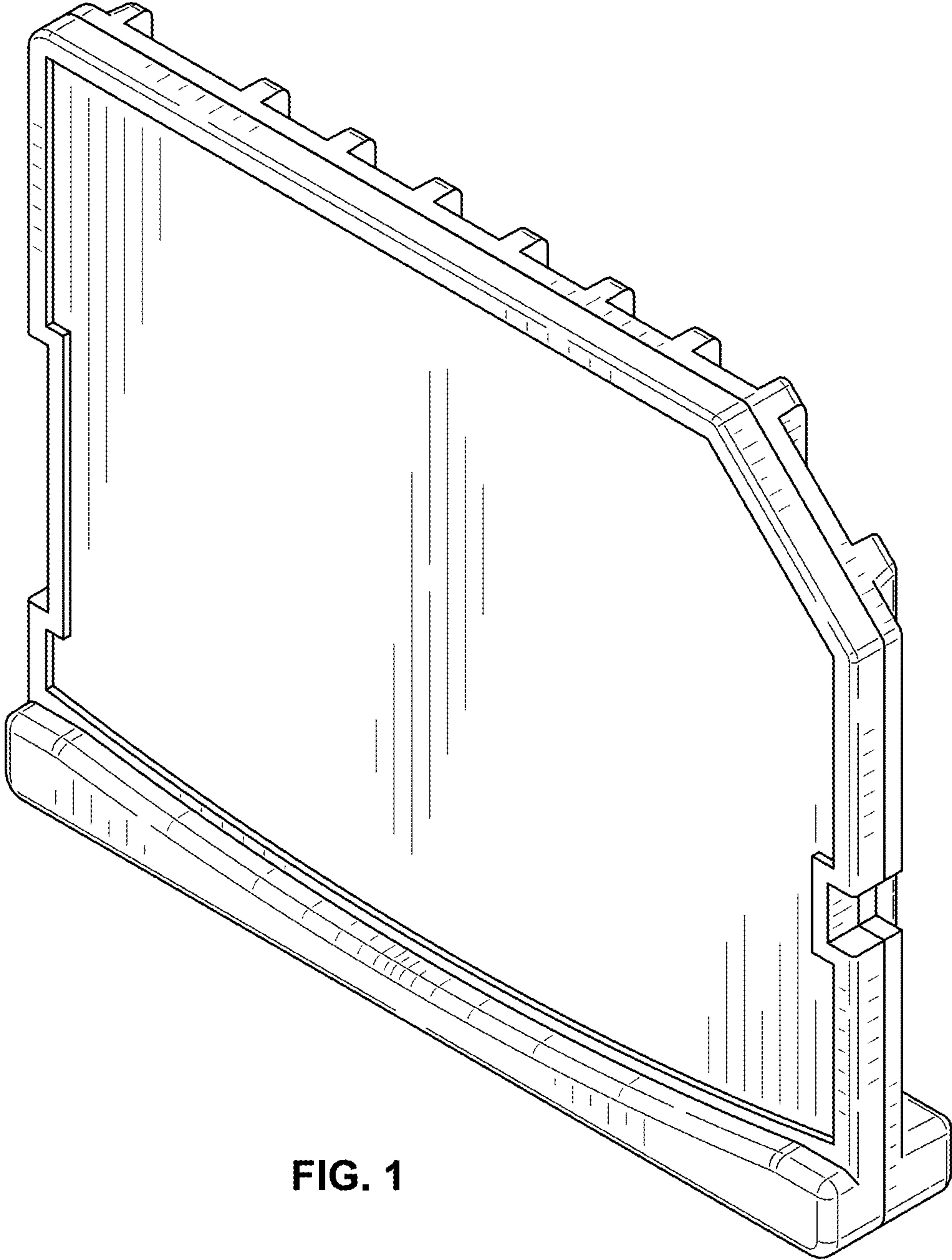


FIG. 1

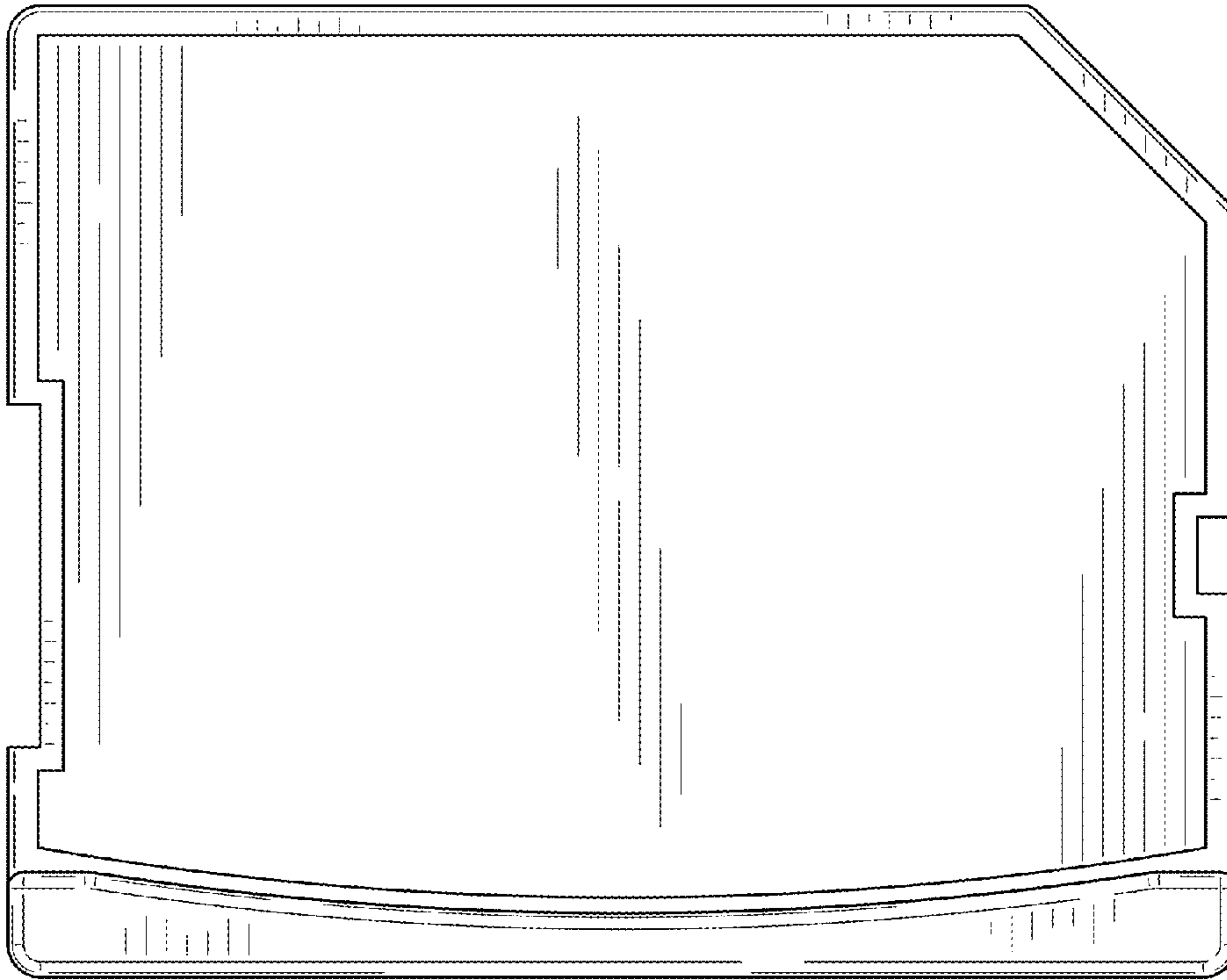


FIG. 2

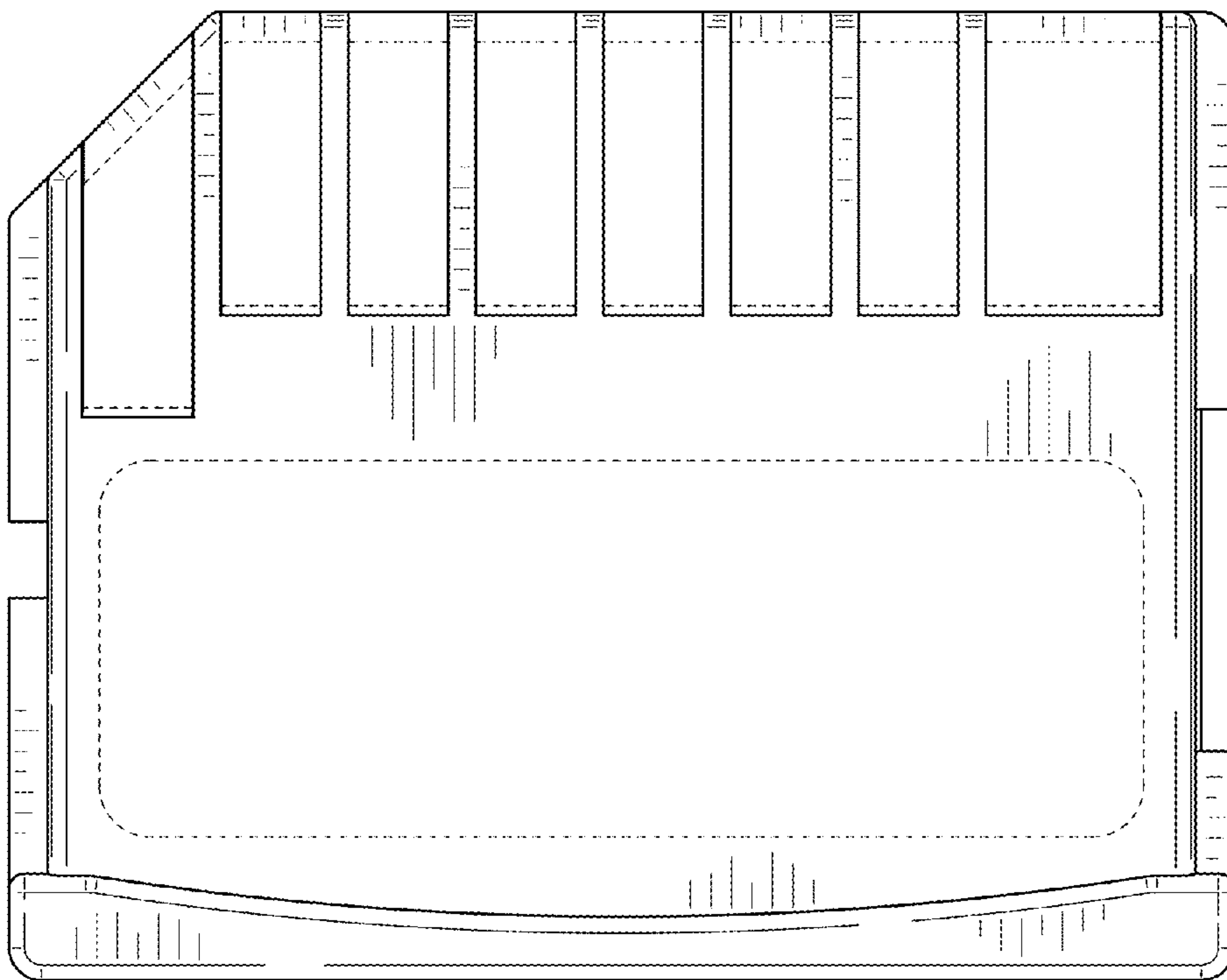


FIG. 3



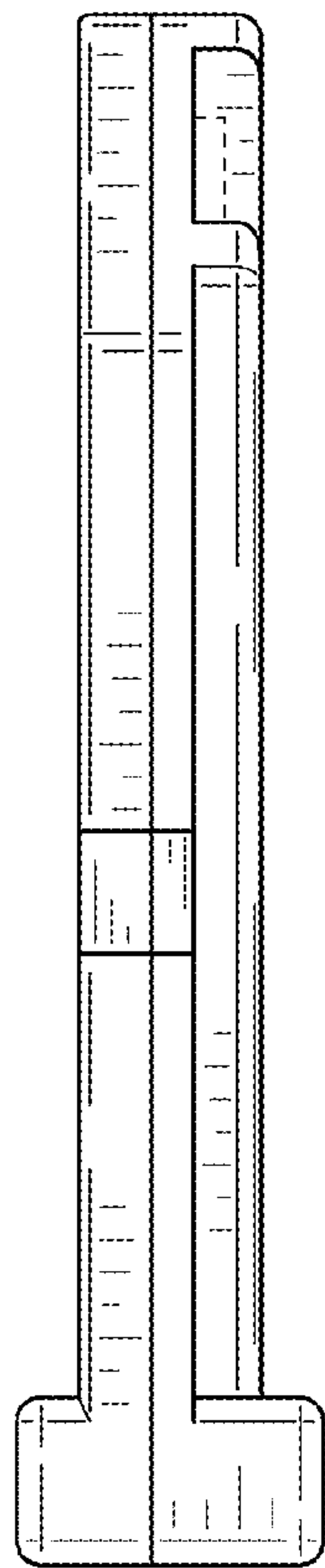


FIG. 4

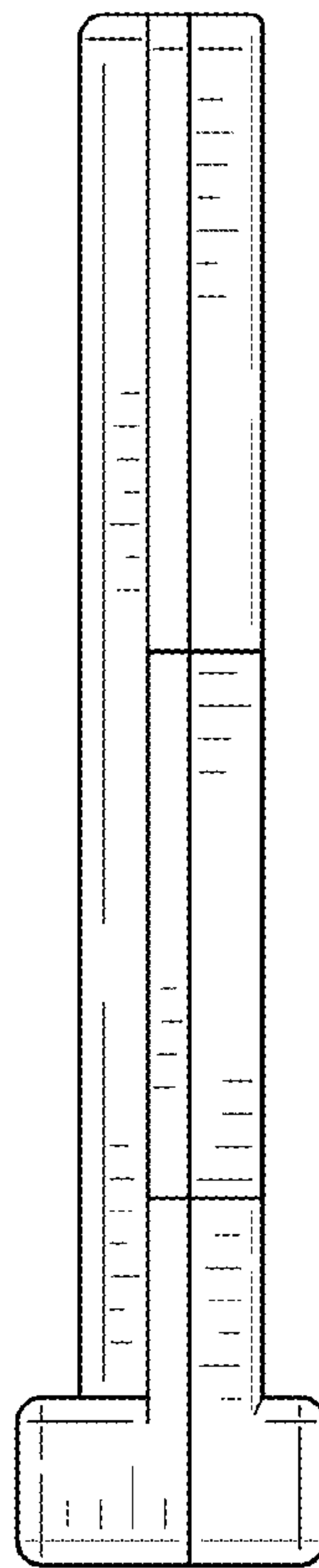


FIG. 5

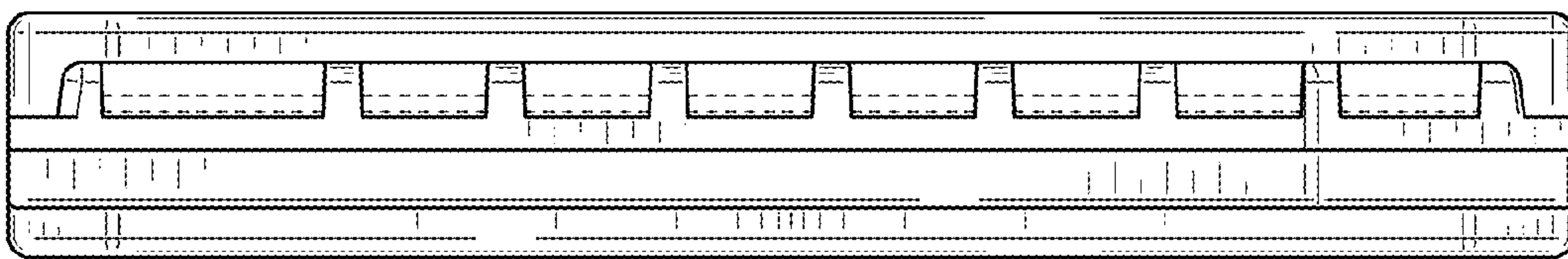


FIG. 6

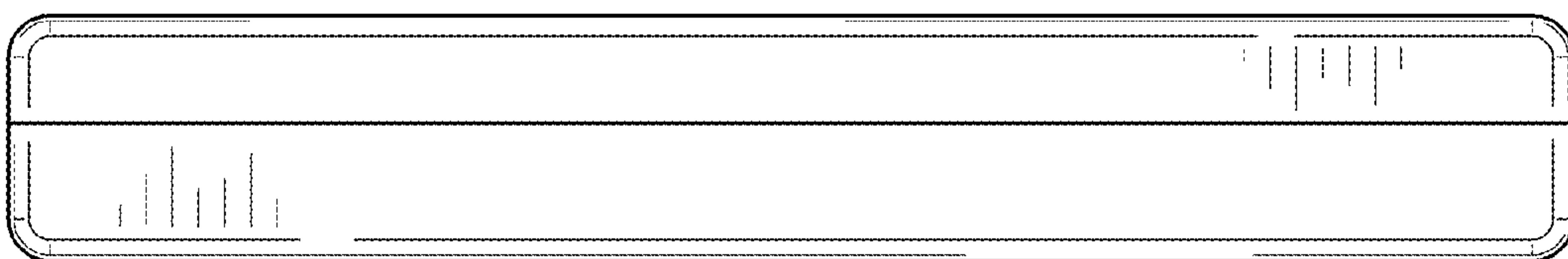


FIG. 7

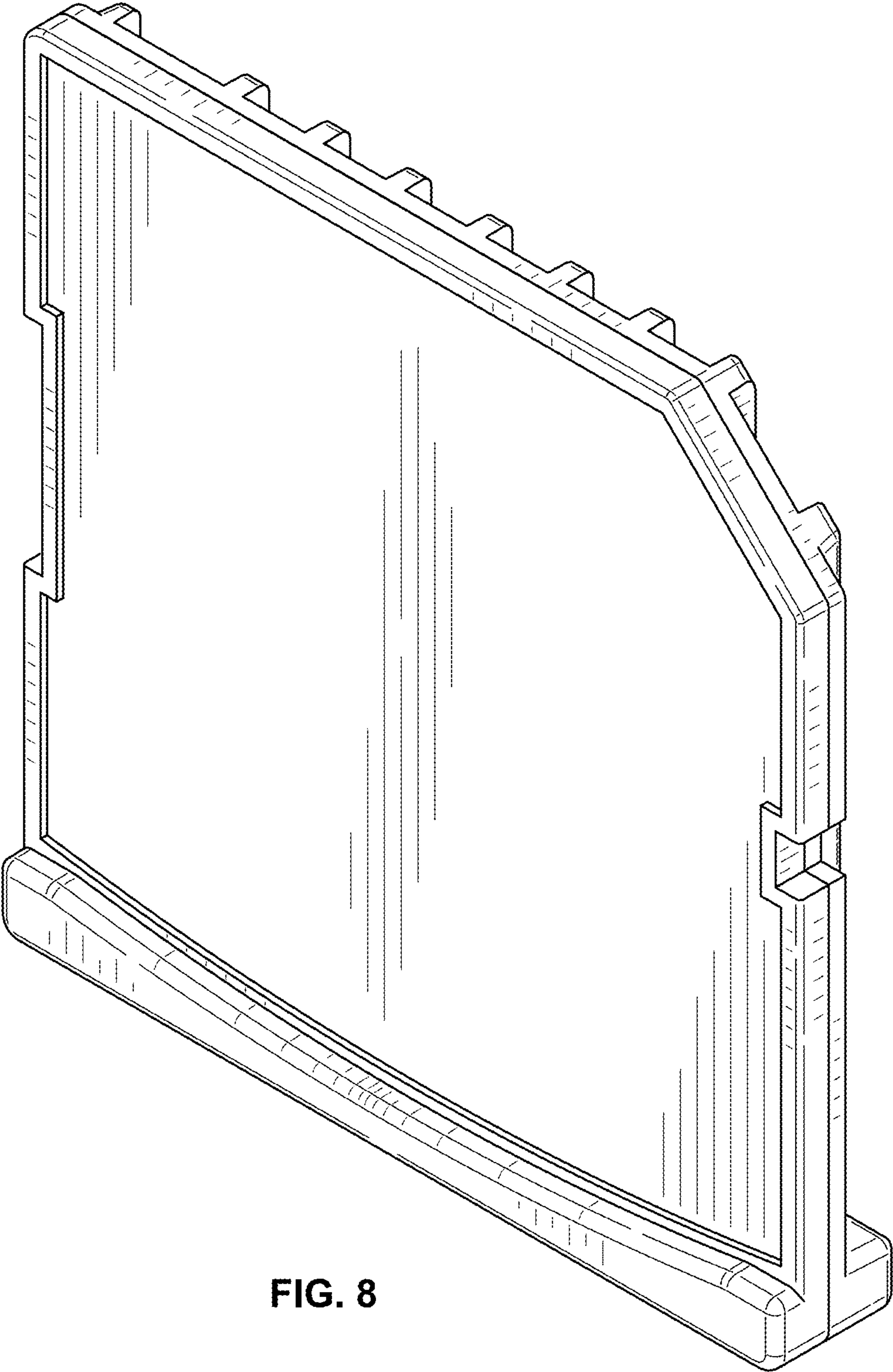


FIG. 8

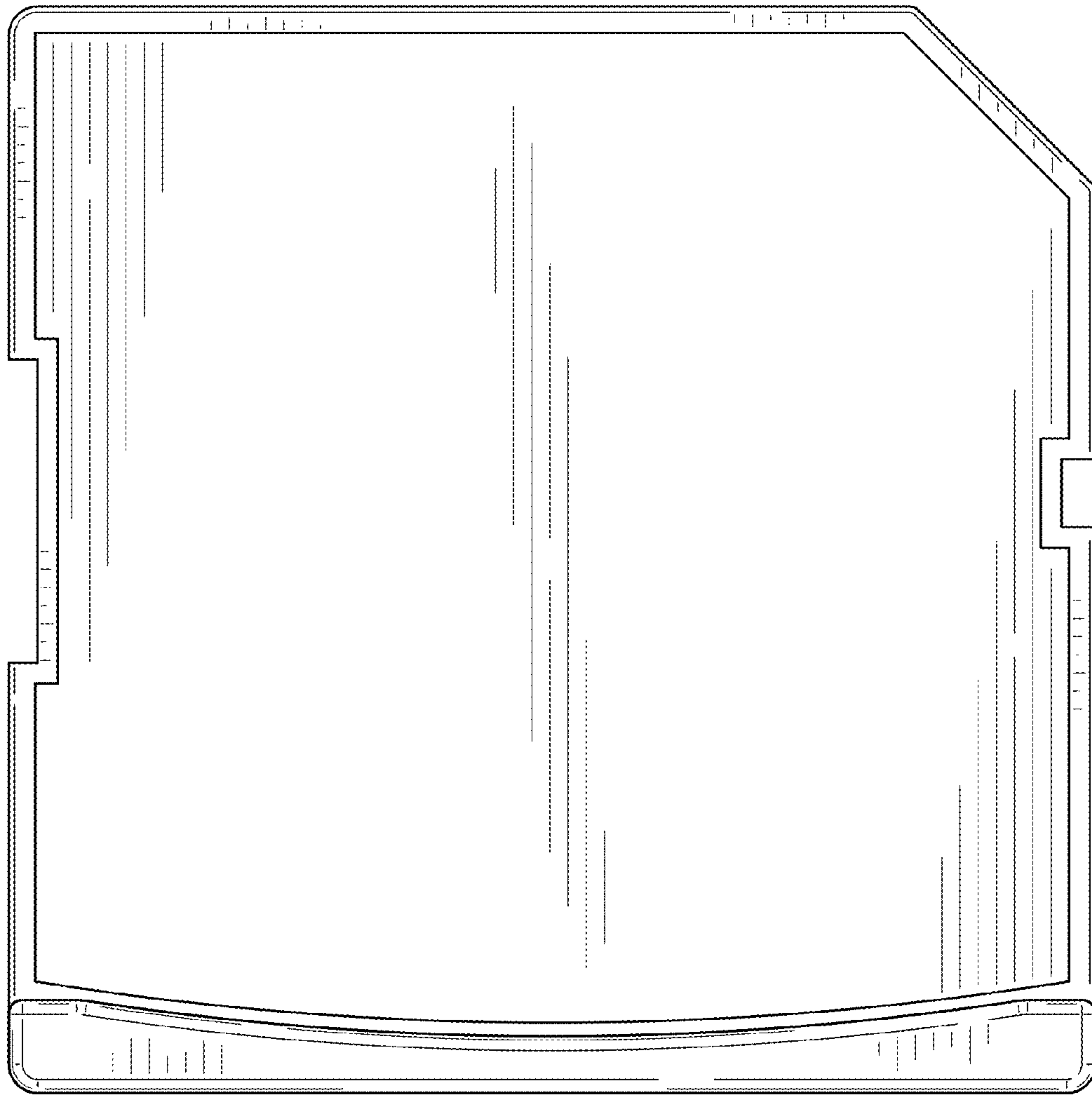


FIG. 9

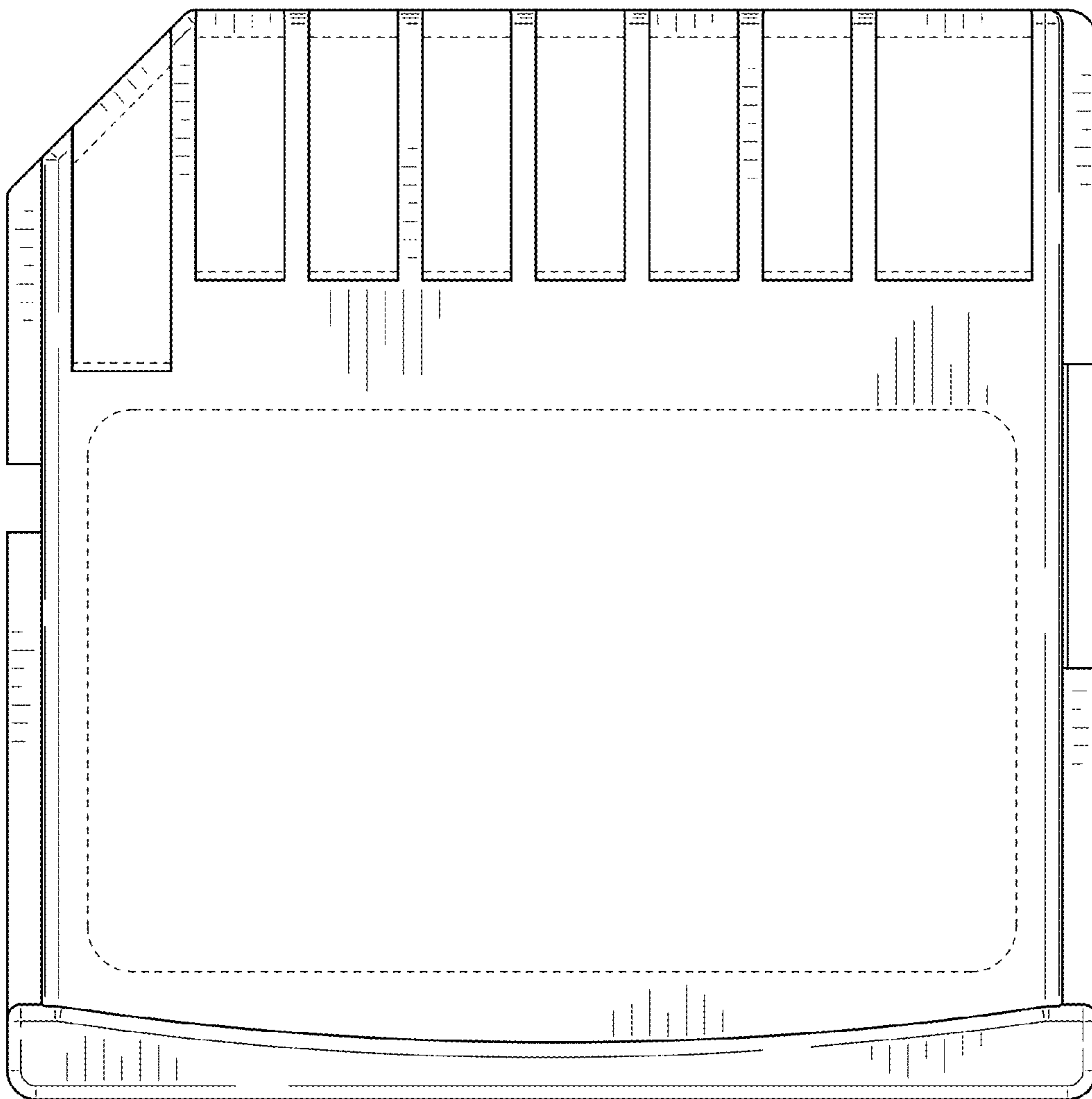


FIG. 10



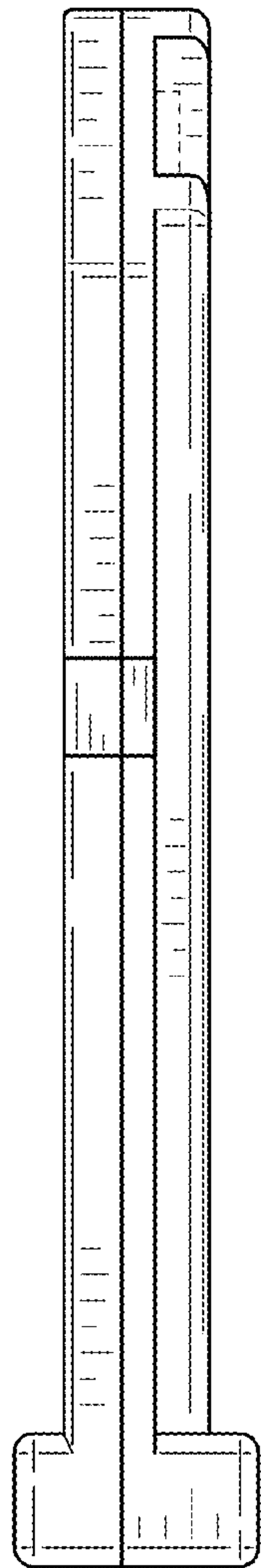


FIG. 11

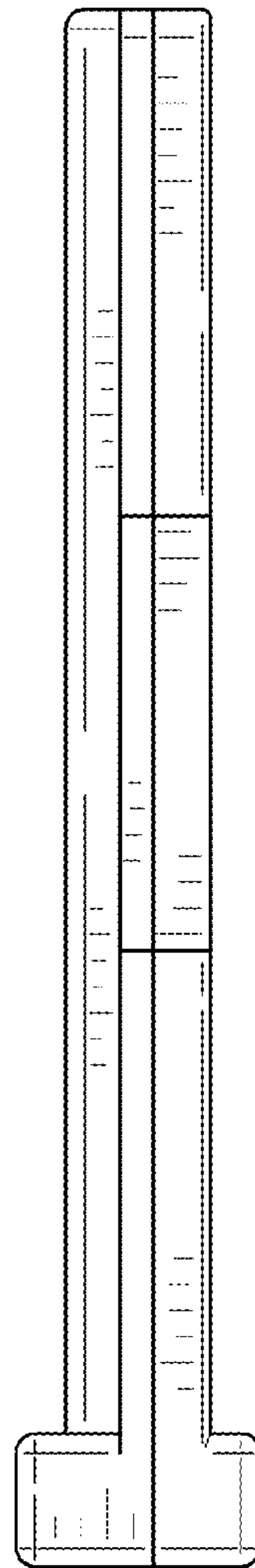


FIG. 12

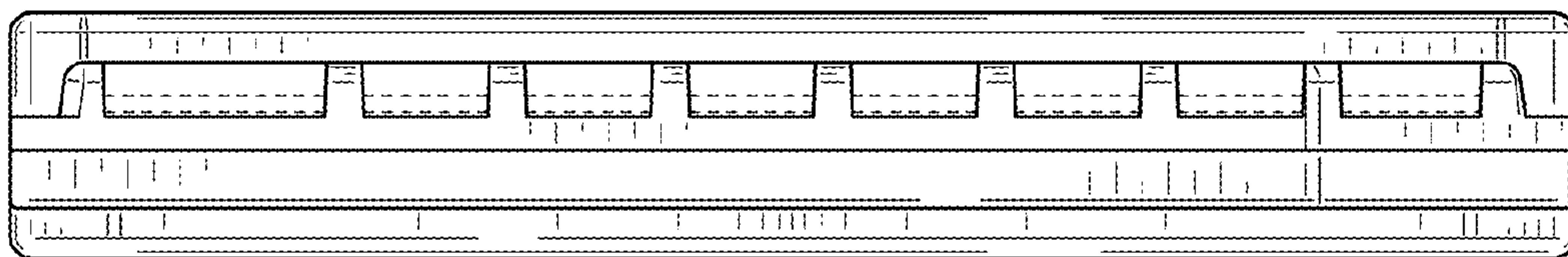


FIG. 13

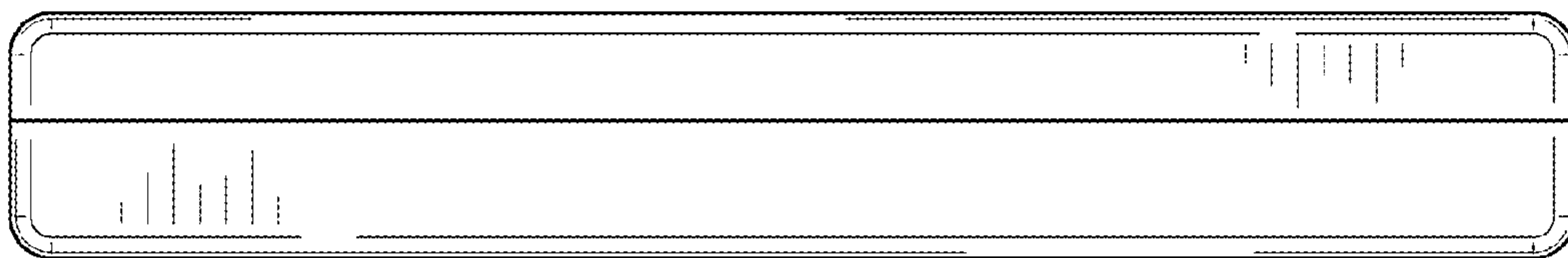


FIG. 14