



US00D734753S

(12) **United States Design Patent**  
**Sullivan et al.**

(10) **Patent No.:** **US D734,753 S**  
(45) **Date of Patent:** **\*\* Jul. 21, 2015**

(54) **LASER SCANNING DEVICE**

(71) Applicant: **FARO Technologies, Inc.**, Lake Mary, FL (US)

(72) Inventors: **Raymond J. Sullivan**, Altamonte Springs, FL (US); **Yazid Tohme**, Sanford, FL (US); **Burnham Edward Stokes**, Lake Mary, FL (US); **Eric J. Moy**, Orlando, FL (US); **Orlando Perez**, Sanford, FL (US); **Brent Bailey**, Winter Springs, FL (US); **Paul C Atwell**, Lake Mary, FL (US); **Aslan Riza**, Sarasota, FL (US); **Erkan Riza**, Sarasota, FL (US)

(73) Assignee: **FARO TECHNOLOGIES, INC.**, Lake Mary, FL (US)

(\*\*) Term: **14 Years**

(21) Appl. No.: **29/515,001**

(22) Filed: **Jan. 20, 2015**

**Related U.S. Application Data**

(62) Division of application No. 29/488,257, filed on Apr. 17, 2014, now Pat. No. Des. 727,905.

(51) **LOC (10) Cl.** ..... **14-02**

(52) **U.S. Cl.**  
USPC ..... **D14/428**; D14/426

(58) **Field of Classification Search**

USPC ..... D14/420, 426-430, 453, 346, 341, 347, D14/412; D13/107, 184; 358/473; 235/462.43, 462.45, 462.47, 462.48, 235/462.44, 462.46, 487, 472.01, 472.02; 16/110.1, 430, 431; 439/133, 135; 709/219, 201; 710/73; 320/114, 115, 320/123; 361/679; 382/313, 321; 455/575.1, 561, 572  
CPC ..... G06K 2007/10524; G06K 7/10544; G06K 7/10554; G06K 7/10564; G06K 7/10594; G06K 7/10603; G06K 7/10623; G06K 7/10683; G06K 7/10693; G06K 7/10712; G06K 7/10792; G06K 7/10821; G06K 7/10831; G06K 7/10861; G06K 7/10881; G06K 7/109; G06K 7/1091; G06K 7/1092; G06K 2207/1011-2207/1018; G06K

9/20; G06K 9/209; G06K 9/22; G06K 9/228; G06K 9/24; G06K 9/28; G06K 9/32; G06K 2009/226; H04N 9/3129; H04N 9/3132; H04N 3/3141; H04N 9/3173; G01B 11/24-11/2518; G01B 11/00; G01B 11/002; G01B 11/02; G01B 11/2522-11/2545; G01S 17/42; G01S 17/87; G01S 17/95; G01S 17/89; G01S 7/4808-7/4817; G01S 7/497; G01C 15/002-15/008; G02B 26/10-26/129; G02B 6/262

See application file for complete search history.

(56) **References Cited**

U.S. PATENT DOCUMENTS

D258,166 S \* 2/1981 Barthropp ..... D21/572  
5,140,143 A \* 8/1992 Nakazawa ..... 235/462.39

(Continued)

OTHER PUBLICATIONS

EP Office Action, Issued Oct. 22, 2014 corresponding to 002559765-0001/002559765-0005.

(Continued)

*Primary Examiner* — Susan Moon Lee

(74) *Attorney, Agent, or Firm* — Cantor Colburn LLP

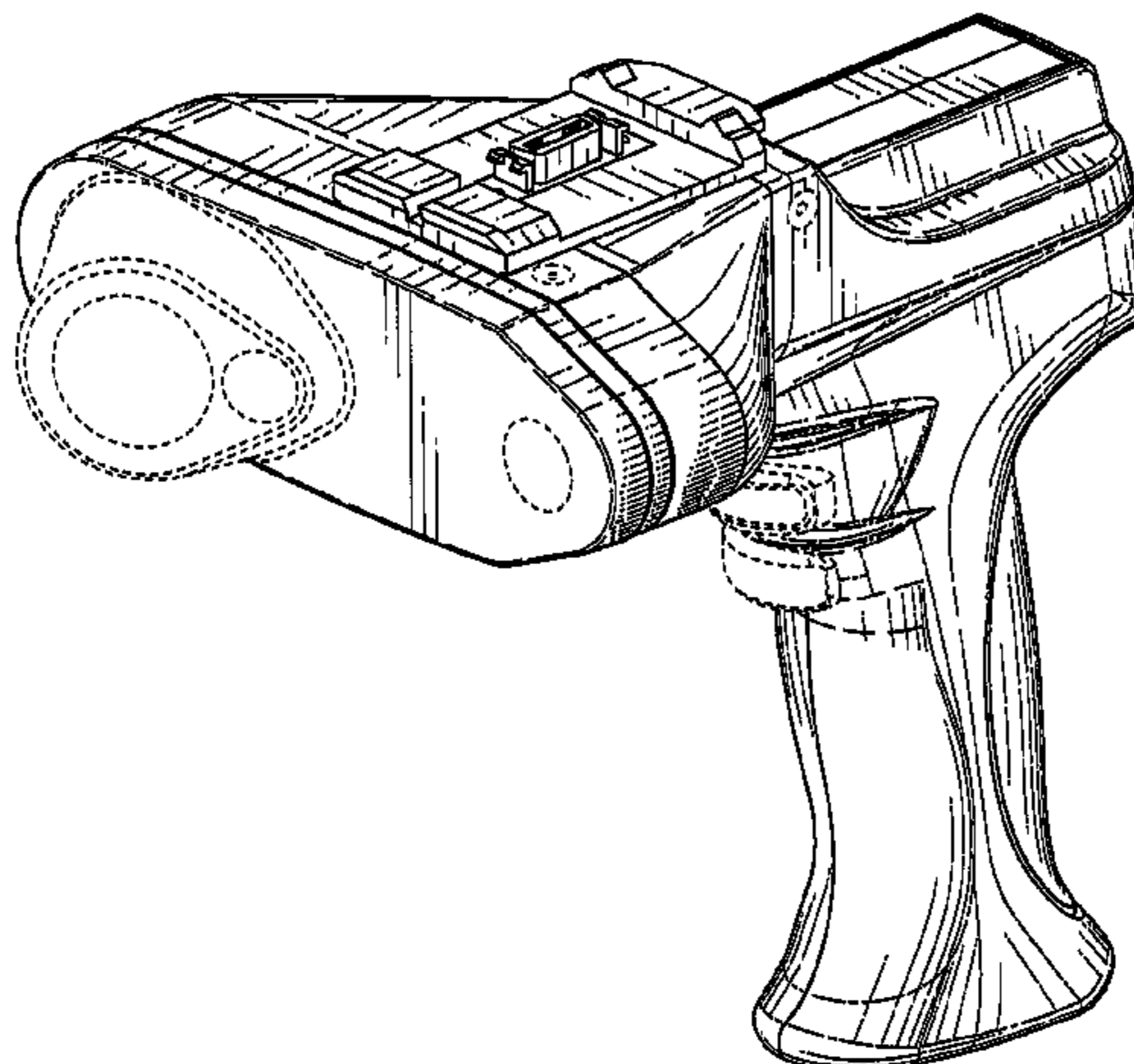
(57) **CLAIM**

We claim the ornamental design for a laser scanning device, as shown and described.

**DESCRIPTION**

FIG. 1 is a front perspective view of an embodiment of the invention;  
FIG. 2 is a front view of the embodiment of FIG. 1;  
FIG. 3 is a rear view of the embodiment of FIG. 1;  
FIG. 4 is a first side view of the embodiment of FIG. 1;  
FIG. 5 is a second side view of the embodiment of FIG. 1;  
FIG. 6 is a top view of the embodiment of FIG. 1;  
FIG. 7 is a bottom view of the embodiment of FIG. 1; and,  
FIG. 8 is an another perspective view of the embodiment of FIG. 1.  
Broken lines and unshaded portions contained within broken lines are not claimed.

**1 Claim, 5 Drawing Sheets**



(56)

References Cited

U.S. PATENT DOCUMENTS

5,140,144 A \* 8/1992 Shepard et al. .... 235/472.01  
 D331,710 S \* 12/1992 McKinnon et al. .... D10/78  
 D338,417 S \* 8/1993 Van Aken et al. .... D10/78  
 D343,170 S \* 1/1994 Gilpin et al. .... D14/428  
 D356,559 S \* 3/1995 Roustaei ..... D14/428  
 D361,565 S \* 8/1995 LaManna et al. .... D14/428  
 D375,493 S \* 11/1996 Karlin ..... D14/428  
 5,783,813 A \* 7/1998 Metlitsky et al. .... 235/462.45  
 D400,199 S \* 10/1998 Fitch et al. .... D14/428  
 6,000,619 A \* 12/1999 Reddersen et al. .... 235/462.45  
 D435,557 S \* 12/2000 Eisenberg et al. .... D14/428  
 6,223,988 B1 \* 5/2001 Batterman et al. .... 235/472.01  
 D446,524 S \* 8/2001 Bontly et al. .... D14/426  
 6,352,204 B2 \* 3/2002 Hattersley et al. .... 235/472.01  
 D456,809 S \* 5/2002 Schlieffers ..... D14/428  
 D456,810 S \* 5/2002 Schlieffers ..... D14/428  
 D459,728 S \* 7/2002 Roberts et al. .... D14/428  
 D460,370 S \* 7/2002 Price et al. .... D10/78  
 D470,847 S \* 2/2003 Carlson et al. .... D14/428  
 6,595,422 B1 \* 7/2003 Doljack ..... 235/462.42  
 D493,807 S \* 8/2004 Raab et al. .... D15/199  
 6,824,061 B1 11/2004 Hattersley et al.  
 D505,144 S \* 5/2005 Raab et al. .... D15/199  
 D518,057 S 3/2006 Johnson et al.  
 D542,802 S 5/2007 Woodcock  
 D550,674 S 9/2007 Watanabe et al.  
 D558,206 S 12/2007 Watanabe  
 D562,825 S 2/2008 Fitch et al.  
 D566,713 S 4/2008 Ah  
 D570,234 S 6/2008 Hui et al.  
 D570,843 S 6/2008 Mazzone et al.  
 D588,596 S 3/2009 Mazzone et al.  
 D606,830 S 12/2009 Murray  
 D614,625 S 4/2010 Fitch et al.  
 7,963,447 B2 6/2011 Yu et al.  
 8,016,199 B2 9/2011 Nunnink  
 8,082,120 B2 \* 12/2011 St-Pierre et al. .... 702/85  
 D654,817 S 2/2012 Dede et al.  
 D655,012 S 2/2012 Nanda et al.  
 D659,032 S 5/2012 Atwell et al.

D660,921 S \* 5/2012 Johnson et al. .... D21/572  
 D667,010 S \* 9/2012 Firth et al. .... D14/426  
 D677,588 S 3/2013 Dede et al.  
 8,387,884 B2 3/2013 Vinogradov  
 D682,977 S 5/2013 Thummel et al.  
 D687,322 S \* 8/2013 Ferrari et al. .... D10/63  
 D692,892 S 11/2013 Mistkawi et al.  
 D696,377 S 12/2013 Thummel et al.  
 8,675,208 B2 \* 3/2014 Nunnink ..... 356/602  
 D727,905 S \* 4/2015 Sullivan et al. .... D14/428  
 2001/0045466 A1 \* 11/2001 Bontly ..... 235/472.01  
 2002/0148902 A1 \* 10/2002 Schlieffers ..... 235/472.01  
 2003/0080193 A1 \* 5/2003 Ryan et al. .... 235/491  
 2003/0192949 A1 \* 10/2003 Hattersley et al. .... 235/462.43  
 2004/0155109 A1 \* 8/2004 Kenney et al. .... 235/462.45  
 2004/0164165 A1 8/2004 Havens et al.  
 2005/0189422 A1 9/2005 Wood et al.  
 2006/0131418 A1 \* 6/2006 Testa ..... 235/472.01  
 2007/0040035 A1 \* 2/2007 Kotlarsky et al. .... 235/462.45  
 2007/0119949 A1 5/2007 Hattersley et al.  
 2007/0131774 A1 6/2007 Celestini  
 2007/0199996 A1 8/2007 He et al.  
 2008/0017717 A1 1/2008 Miyazaki et al.  
 2010/0095542 A1 4/2010 Ferrari  
 2011/0178766 A1 7/2011 York et al.  
 2012/0048940 A1 3/2012 Chaumont et al.  
 2013/0087619 A1 4/2013 Wang et al.  
 2013/0292478 A1 \* 11/2013 Wang et al. .... 235/472.01  
 2014/0021259 A1 \* 1/2014 Moed et al. .... 235/472.01  
 2014/0168379 A1 \* 6/2014 Heidemann et al. .... 348/47  
 2014/0168380 A1 6/2014 Heidemann et al.  
 2014/0192187 A1 7/2014 Atwell et al.  
 2014/0231524 A1 8/2014 Liou  
 2014/0268178 A1 \* 9/2014 Atwell et al. .... 356/614

OTHER PUBLICATIONS

Notice of Allowance, Issued Dec. 17, 2014.  
 Japanese Office Action for Japanese Design Application No. 2014-023262 filed Oct. 17, 2014; Issued on May 12, 2015; Mailed Jun. 5, 2015; 5 pages.

\* cited by examiner

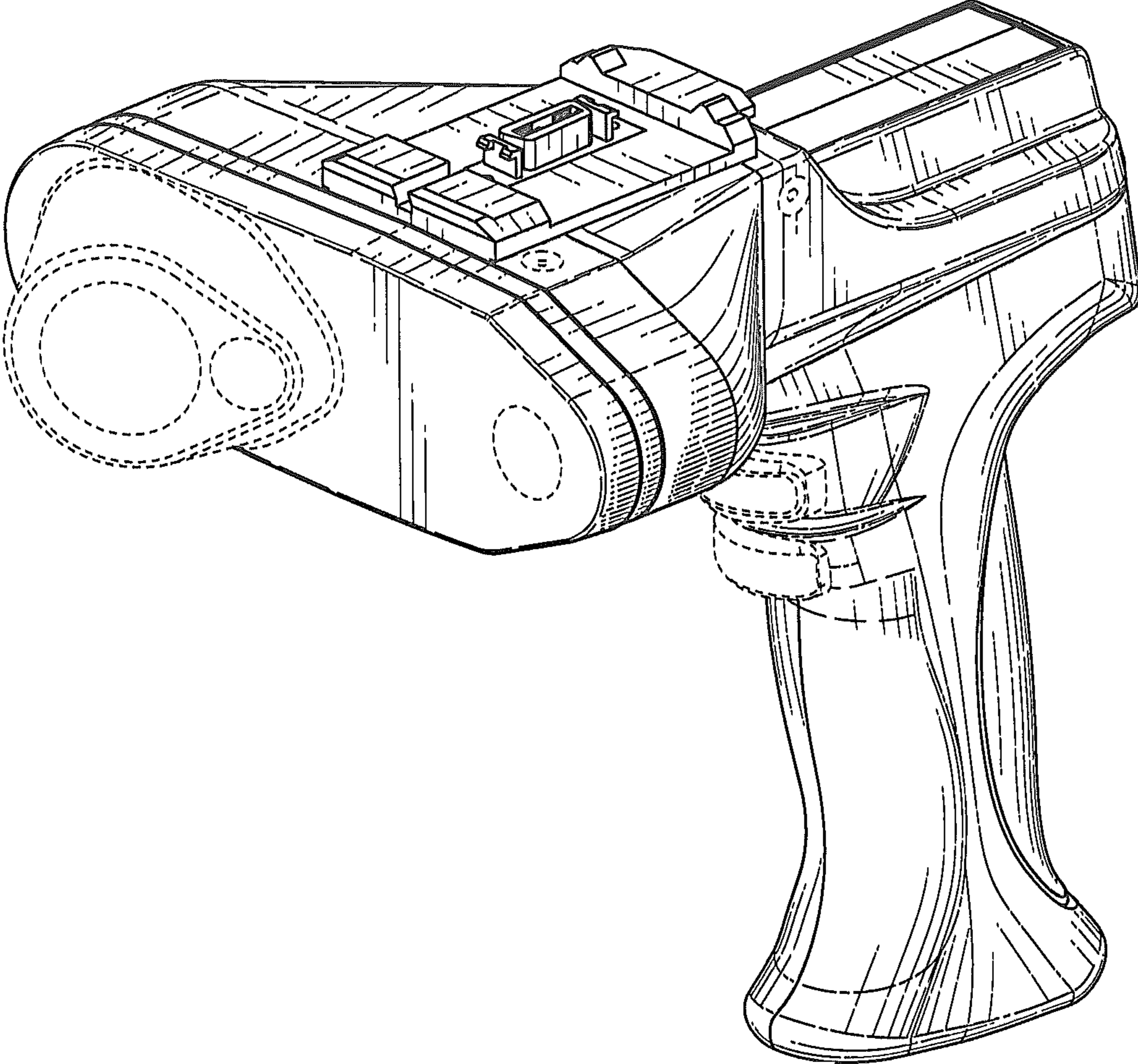


FIG. 1

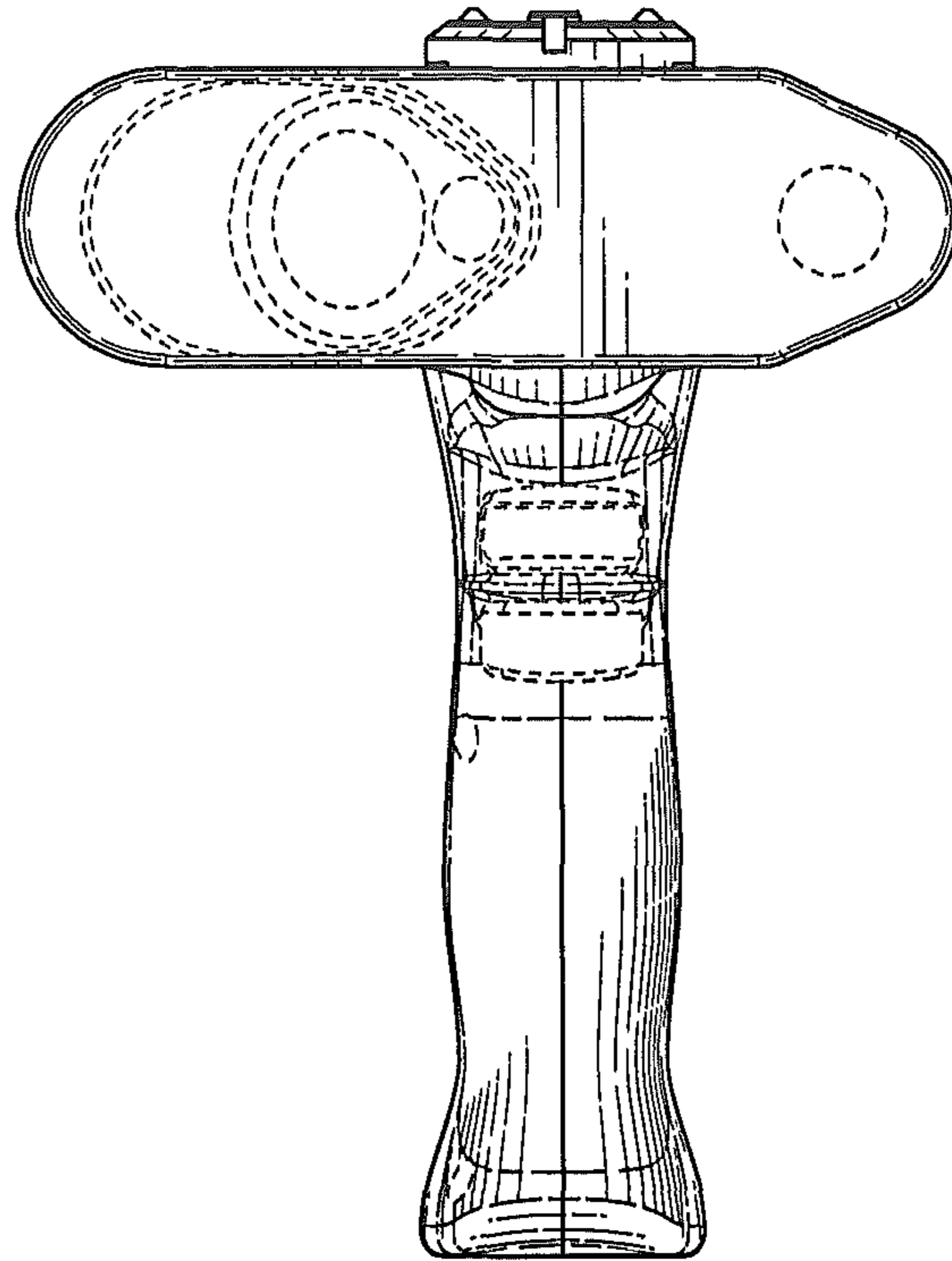


FIG. 2

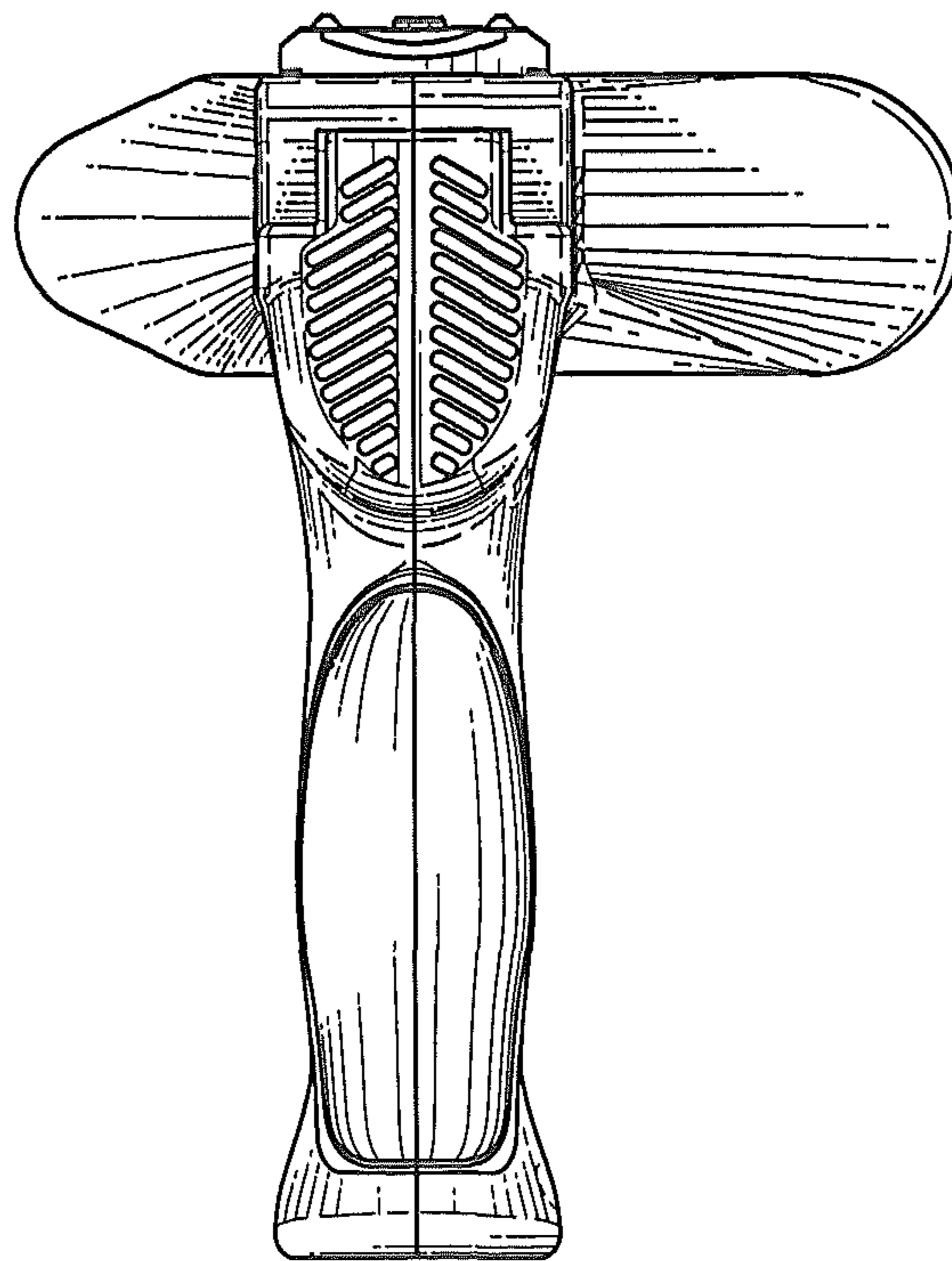


FIG. 3

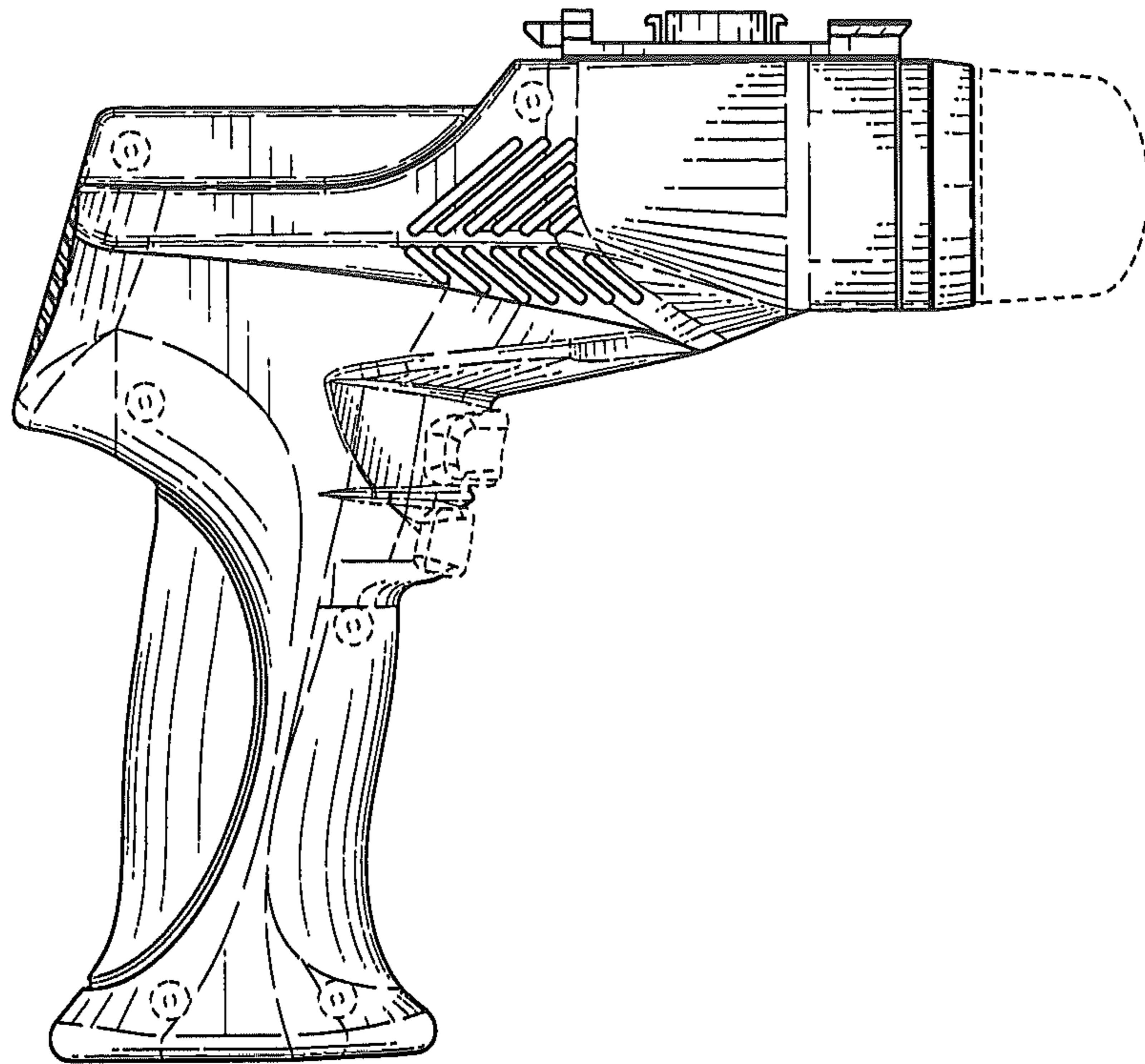


FIG. 4

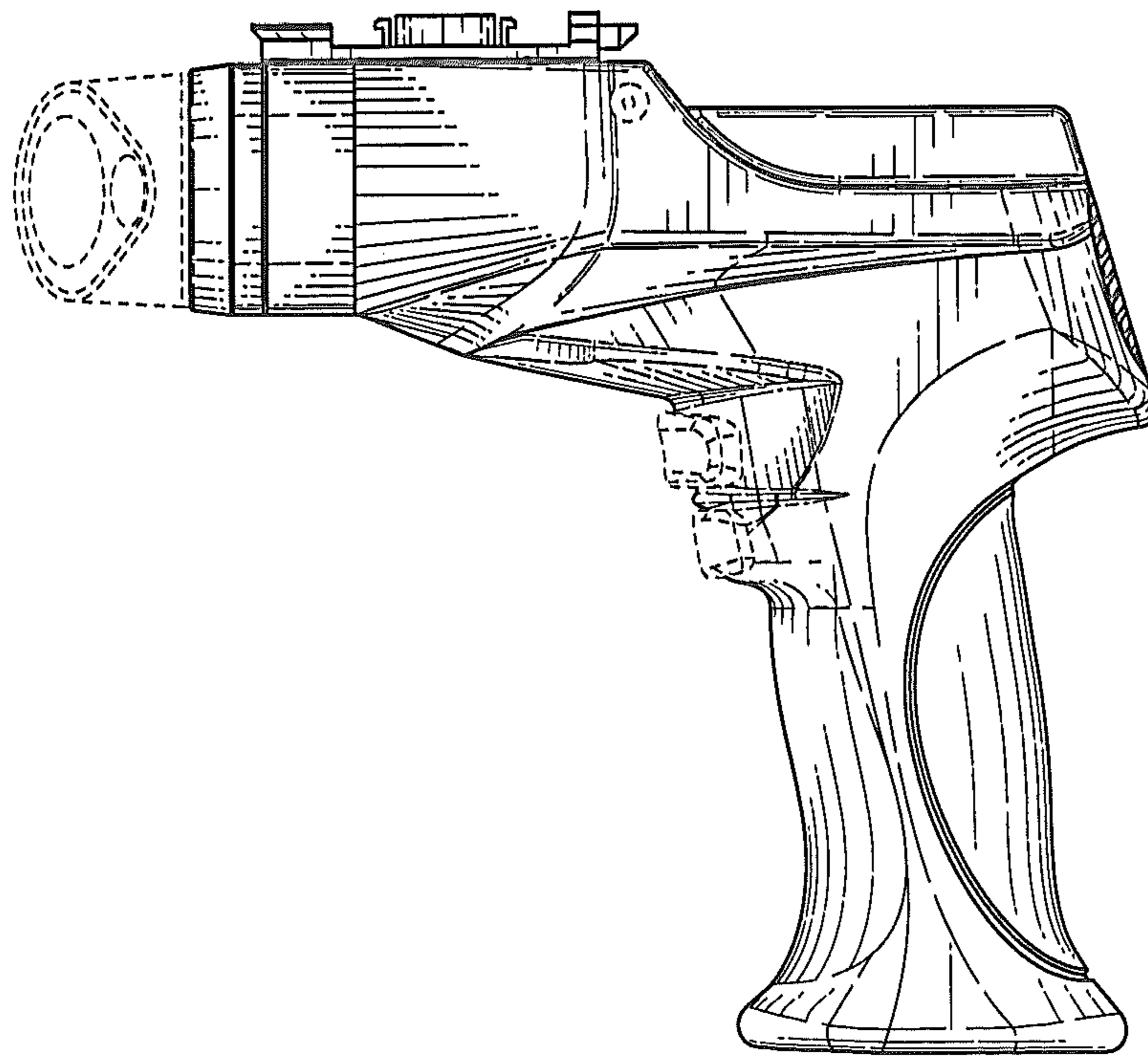


FIG. 5

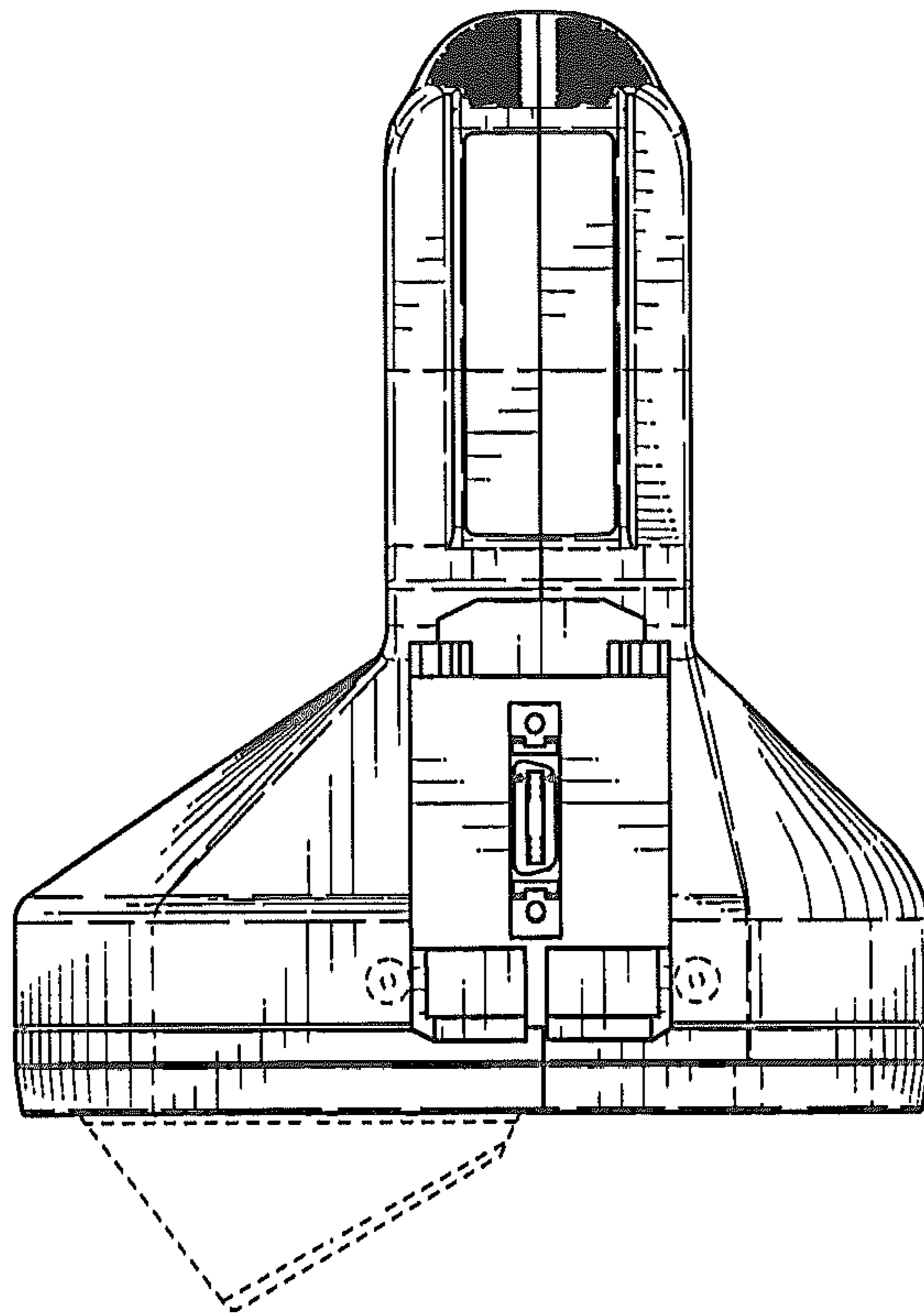


FIG. 6

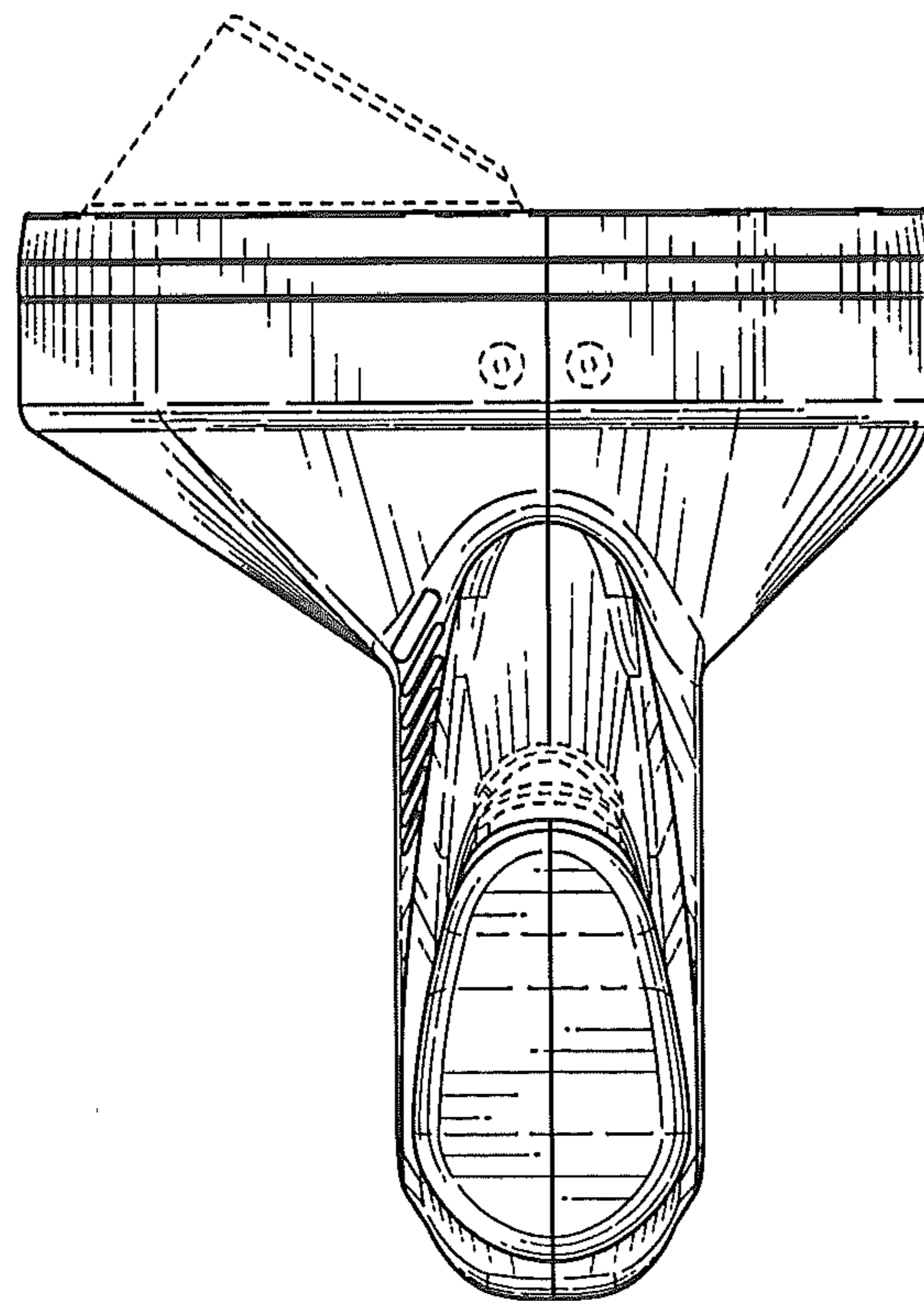


FIG. 7

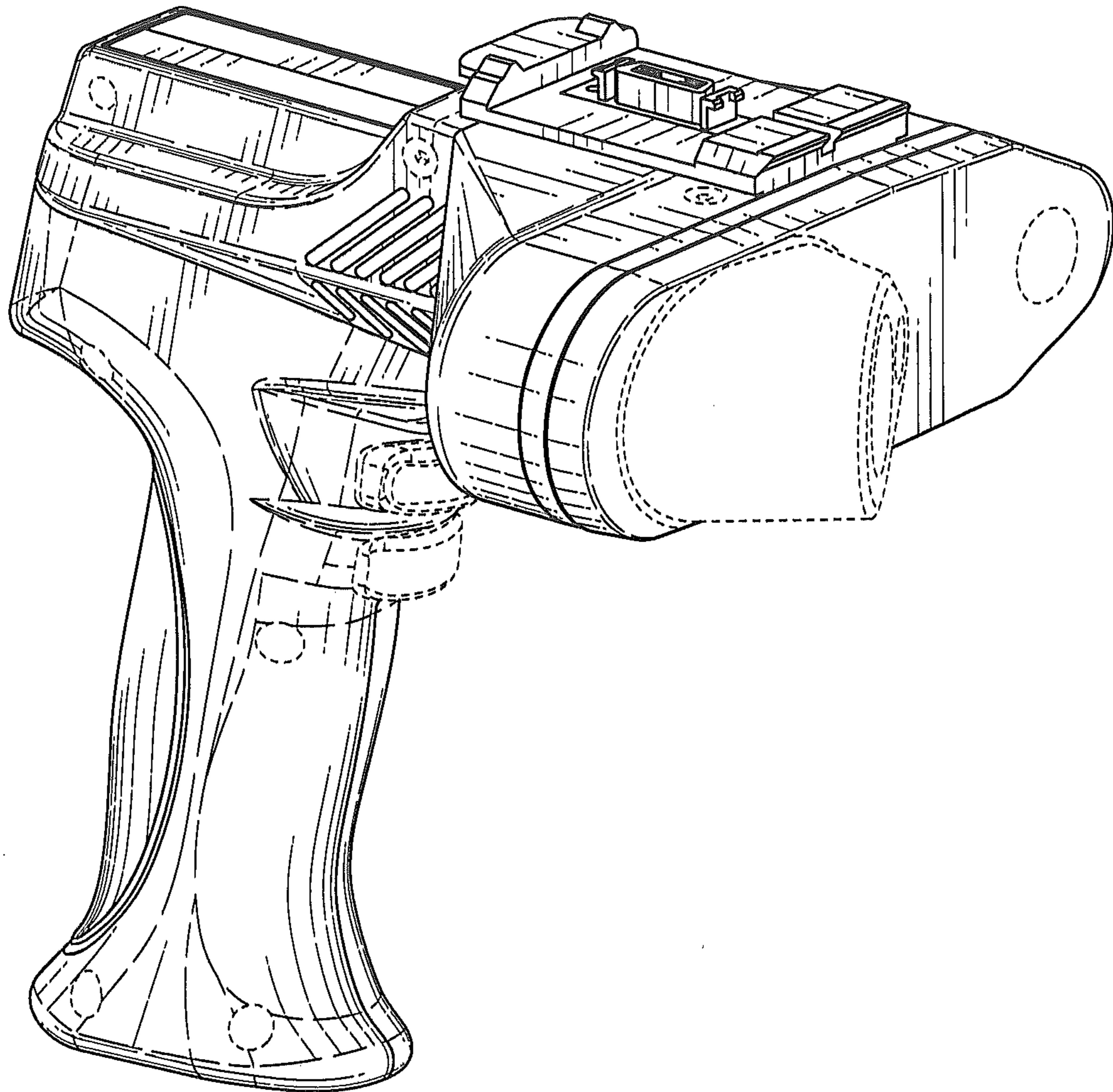


FIG. 8