

US00D734752S

(12) **United States Design Patent**
Chen et al.

(10) **Patent No.:** **US D734,752 S**
(45) **Date of Patent:** **** Jul. 21, 2015**

(54) **WIRELESS SCANNER**

(71) Applicant: **Foxlink Image Technology Co., Ltd.**,
New Taipei (TW)

(72) Inventors: **Chi-Wen Chen**, New Taipei (TW);
Chun-Yuan Sun, New Taipei (TW);
Chia-Hsiang Wang, New Taipei (TW);
Yen-Chi Wu, New Taipei (TW)

(73) Assignee: **FOXLINK IMAGE TECHNOLOGY**
CO., LTD., New Taipei (TW)

(**) Term: **14 Years**

(21) Appl. No.: **29/509,472**

(22) Filed: **Nov. 18, 2014**

(51) **LOC (10) Cl.** **14-02**

(52) **U.S. Cl.**
USPC **D14/420**

(58) **Field of Classification Search**
USPC D14/420, 426-428, 447, 453, 385, 363,
D14/358, 240, 356, 362, 365, 370, 383, 388,
D14/432, 433, 435, 439, 442, 443; D18/4.6,
D18/56; D13/158, 162, 171, 147, 164;
235/440, 462.13, 439, 492, 380, 375,
235/486, 382, 451, 487, 381, 441,
235/472.01-472.03, 462.45, 462.47,
235/462.43, 385, 462.36, 462.01, 435, 454;
340/572.7, 573.3, 572.8, 572.1, 572.4,
340/10.1, 5.86; 455/41.1; 700/225; 710/2,
710/301, 64; 336/221, 232; 439/159;
361/752, 679.31, 679.32, 679.38,
361/679.45, 800; 358/473, 483, 474, 482;
379/436, 438; 312/223.1; 347/86, 49
CPC G06K 7/10653; G06K 7/1098; G06K
7/10633; G06K 7/10831; G06K 7/10881;
G06K 7/10584; G06K 7/10613; G06K
7/10871; G06K 7/109; G06K 7/10693;
G06K 7/1096; G06K 7/10564; G06K 7/10603;
G06K 7/10663; G06K 7/10673; G06K
7/10702; G06K 7/10792; G06K 7/10891;
G06K 7/14; G06K 7/1443; G06K 7/10801;

G06K 7/10851; G06K 7/10861; G06K
2207/1013; G06K 2207/1016; G06K
2207/1011; G06K 2207/1012; G06K
2207/1017; G06K 2207/1018; G06K
2207/10534; G06K 2007/10485; G02B 26/10;
G02B 26/105; G02B 26/106; B41J 2/17559;
B41J 2/17513; B41J 2/17523; B41J 2/17553;
B41J 2/17566; B41J 2/1752; B41J 2/17593;
B41J 2/1755; B41F 33/0081; A47F 9/046;
A47F 9/047; G07G 1/0045; G04N 5/23238;
G04N 5/2252; G04N 5/2251; G03B 17/02;
B25H 5/00; B66F 7/28; G07F 11/002; G07F
11/02; G06Q 20/343; G06F 2203/0331

See application file for complete search history.

(56) **References Cited**

U.S. PATENT DOCUMENTS

D243,098 S *	1/1977	Kohn	D14/426
D243,341 S *	2/1977	Miller	D14/426
D295,413 S *	4/1988	Nakamura et al.	D14/420
D311,740 S *	10/1990	Wagner	D14/358
D314,187 S *	1/1991	Richards et al.	D14/381

(Continued)

Primary Examiner — Susan Moon Lee

(74) *Attorney, Agent, or Firm* — WPAT, P.C.; Anthony King

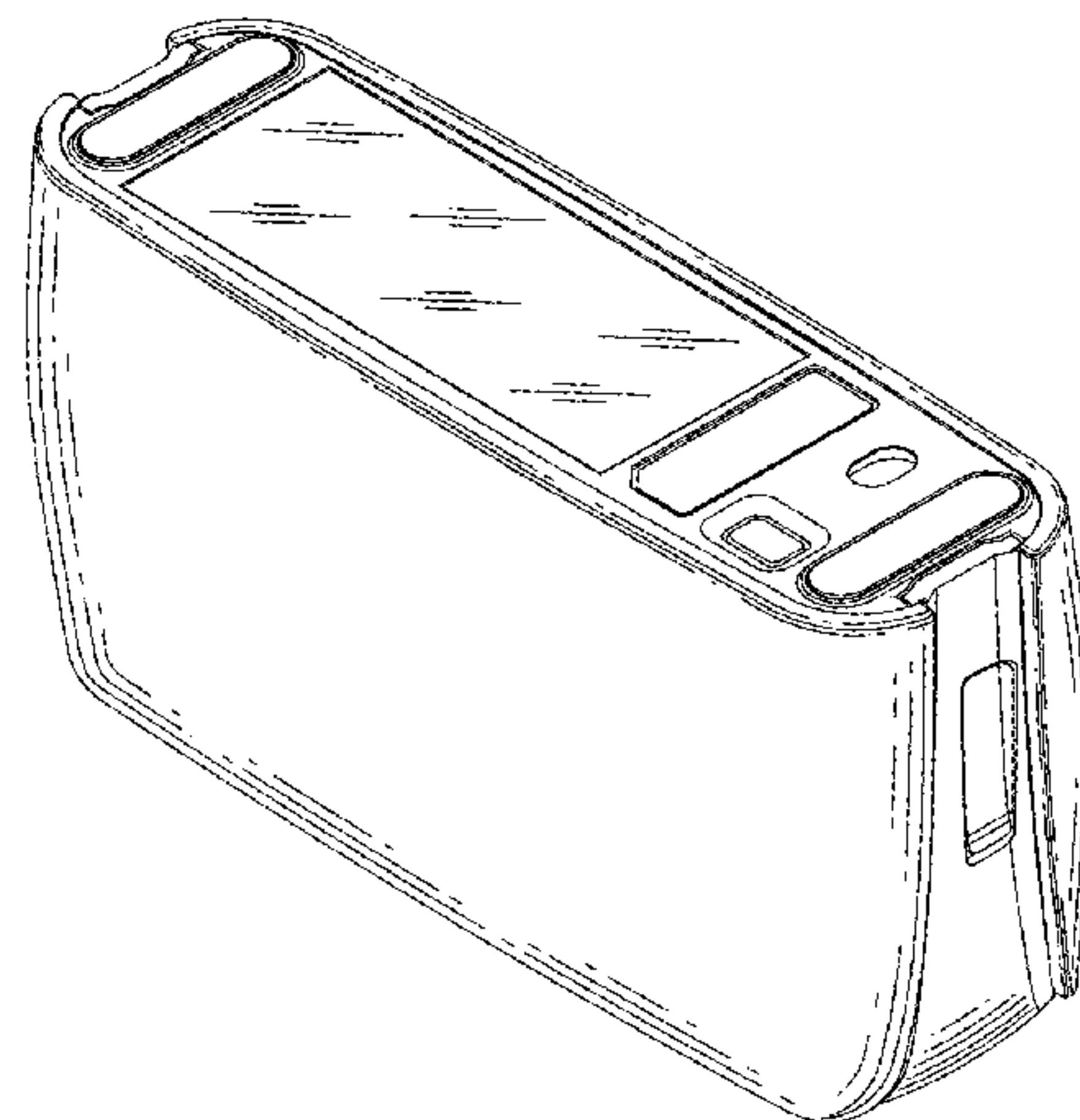
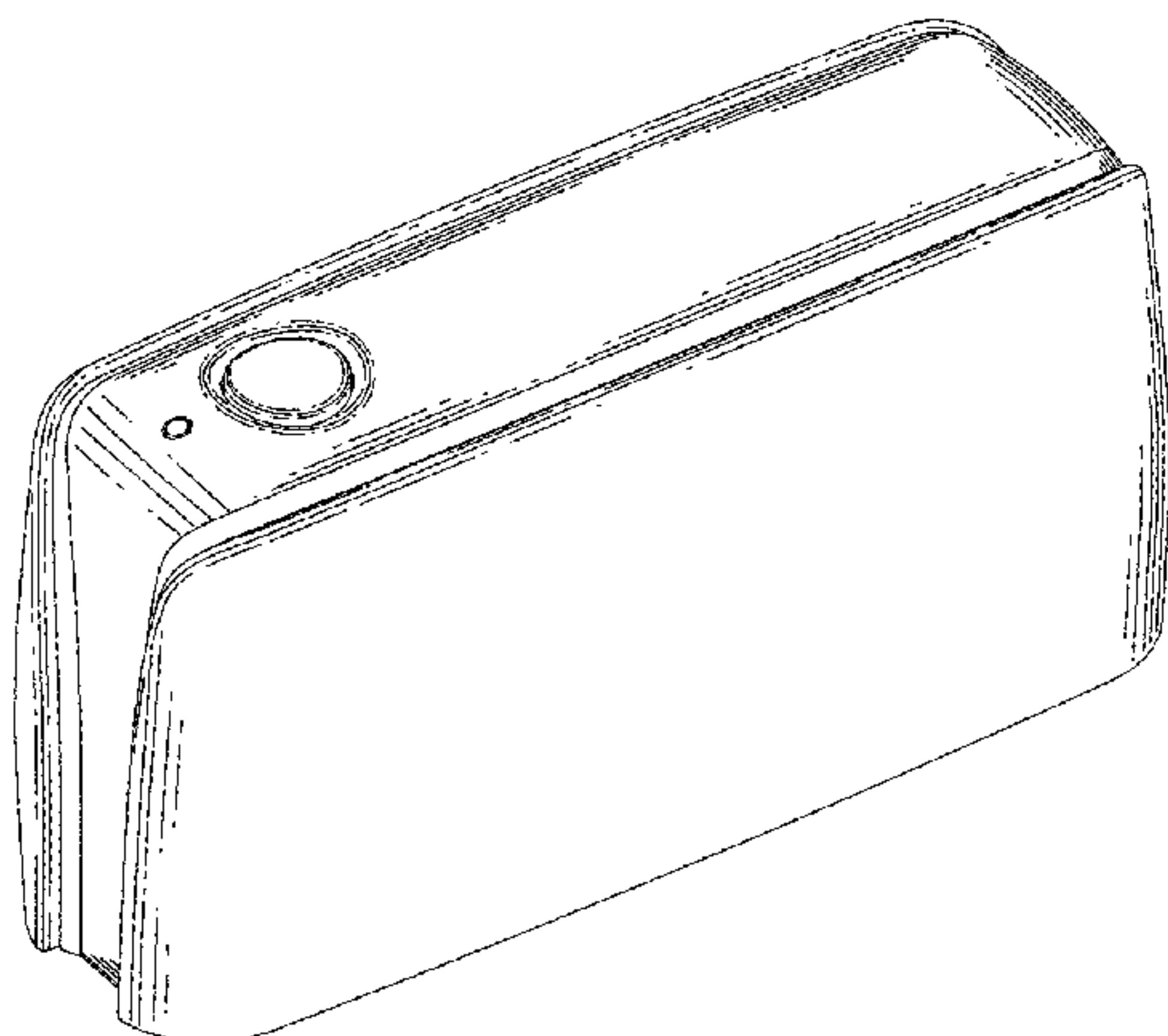
(57) **CLAIM**

The ornamental design for a wireless scanner, as shown and described.

DESCRIPTION

FIG. 1 is a perspective view of a wireless scanner showing our new design;
FIG. 2 is a front elevational view thereof;
FIG. 3 is a rear elevational view thereof;
FIG. 4 is a left side elevational view thereof;
FIG. 5 is a right side elevational view thereof;
FIG. 6 is a top plan view thereof;
FIG. 7 is a bottom plan view thereof; and,
FIG. 8 is another perspective view of the wireless scanner showing our new design.

1 Claim, 8 Drawing Sheets



(56)

References Cited

U.S. PATENT DOCUMENTS

- D327,878 S * 7/1992 Fukutake et al. D14/420
D335,661 S * 5/1993 Shepard D14/427
D335,662 S * 5/1993 Shepard D14/427
D343,829 S * 2/1994 Okuda et al. D14/426
5,329,103 A * 7/1994 Rando 235/462.36
D350,735 S * 9/1994 Karlin et al. D14/426
D353,598 S * 12/1994 Brandt et al. D14/242
D361,564 S * 8/1995 Inaba D14/426
D361,591 S * 8/1995 Tokuda et al. D18/56
D371,550 S * 7/1996 Tomkowicz D14/426
5,602,380 A * 2/1997 Bishay 235/462.46
5,629,510 A * 5/1997 Quinn et al. 235/462.36
D383,488 S * 9/1997 Sasaki D18/56
D383,732 S * 9/1997 Haley et al. D14/435
D390,202 S * 2/1998 Goto D14/349
D390,598 S * 2/1998 Miyazawa et al. D18/56
D417,453 S * 12/1999 Du D14/242
6,002,124 A * 12/1999 Bohn et al. 250/208.1
D423,567 S * 4/2000 Ishigami et al. D18/56
D427,236 S * 6/2000 Shinada et al. D18/56
6,097,507 A * 8/2000 Bohn 358/473
D433,048 S * 10/2000 Ikenaga et al. D16/231
D440,600 S * 4/2001 Seino et al. D18/56
D442,219 S * 5/2001 Chou et al. D18/56
6,292,274 B1 * 9/2001 Bohn 358/473
6,303,921 B1 * 10/2001 Hastings et al. 250/208.1
D454,129 S * 3/2002 Dow et al. D14/426
D454,363 S * 3/2002 Seino et al. D18/56
D454,908 S * 3/2002 Seino et al. D18/56
D456,412 S * 4/2002 Khovaylo et al. D14/420
D457,161 S * 5/2002 Groothuis et al. D14/426
D460,106 S * 7/2002 Yamada et al. D18/56
D460,480 S * 7/2002 Yamada et al. D18/56
D465,481 S * 11/2002 Haaparanta D14/242
D472,547 S * 4/2003 Dendou et al. D14/242
D476,008 S * 6/2003 Adachi et al. D14/423
6,612,496 B1 * 9/2003 Barkan et al. 235/462.22
D481,756 S * 11/2003 Shinada et al. D18/56
6,648,227 B2 * 11/2003 Swartz et al. 235/462.43
D490,102 S * 5/2004 Umeyama et al. D18/56
D490,845 S * 6/2004 Fukushima D18/50
D491,218 S * 6/2004 Masamitsu et al. D18/50
D493,796 S * 8/2004 Lin et al. D14/426
D503,194 S * 3/2005 Hattori et al. D18/56
D503,423 S * 3/2005 Hattori et al. D18/56
D513,626 S * 1/2006 Boyd et al. D21/369
D518,089 S * 3/2006 Massey et al. D18/50
D518,090 S * 3/2006 Massey et al. D18/50
D520,001 S * 5/2006 Katayama D14/358
D522,567 S * 6/2006 Hwang D18/50
D525,971 S * 8/2006 Ayala et al. D14/356
D533,216 S * 12/2006 Sato D18/50
7,182,262 B2 * 2/2007 Wood et al. 235/462.36
D537,875 S * 3/2007 Yamada D18/56
D540,793 S * 4/2007 Kim et al. D14/358
D541,274 S * 4/2007 Wang D14/356
D542,289 S * 5/2007 Diebel D14/356
D548,777 S * 8/2007 Matsumoto et al. D18/55
D558,261 S * 12/2007 Hong et al. D18/50
D565,568 S * 4/2008 Trifilio et al. D14/356
D566,712 S * 4/2008 Ah D14/426
D568,312 S * 5/2008 Wang et al. D14/356
D569,420 S * 5/2008 Hwang et al. D18/56
D570,350 S * 6/2008 Miller et al. D14/426
D580,354 S * 11/2008 Dunbar et al. D13/108
D580,933 S * 11/2008 Ju et al. D14/358
D590,013 S * 4/2009 Miticocchio et al. D18/50
D594,864 S * 6/2009 Song D14/358
7,570,352 B2 * 8/2009 Flannigan et al. 356/155
D604,236 S * 11/2009 Chen D13/108
D624,960 S * 10/2010 Inoue et al. D18/56
D641,364 S * 7/2011 McParland D14/356
D641,753 S * 7/2011 Obata D14/356
D651,208 S * 12/2011 Pacyga et al. D14/358
D656,186 S * 3/2012 Oya et al. D18/56
D659,694 S * 5/2012 Sumita D14/356
D669,473 S * 10/2012 Gronau et al. D14/420
D670,681 S * 11/2012 Chang et al. D14/242
D673,564 S * 1/2013 Milliff D14/358
D684,143 S * 6/2013 Rapp et al. D14/217
D684,957 S * 6/2013 Smith et al. D14/242
D685,374 S * 7/2013 Schindler D14/435
D687,023 S * 7/2013 Jung et al. D14/242
D695,823 S * 12/2013 Nozawa et al. D18/56
D704,259 S * 5/2014 Lecheheb et al. D18/56
D722,018 S * 2/2015 Wang D13/108
D726,106 S * 4/2015 Aber et al. D13/108
D729,312 S * 5/2015 Harvey et al. D18/56
2005/0001888 A1 * 1/2005 Seino et al. 347/86
2006/0043976 A1 * 3/2006 Gervais 324/508
2007/0205289 A1 * 9/2007 Watanabe et al. 235/472.02
2008/0180495 A1 * 7/2008 Gonzales 347/86
2011/0075228 A1 * 3/2011 King et al. 358/483
2011/0255137 A1 * 10/2011 Pearson et al. 358/483
2013/0003144 A1 * 1/2013 Finnegan et al. 358/483
2013/0200158 A1 * 8/2013 Feng et al. 235/462.36
2013/0327834 A1 * 12/2013 Hennick et al. 235/462.36

* cited by examiner

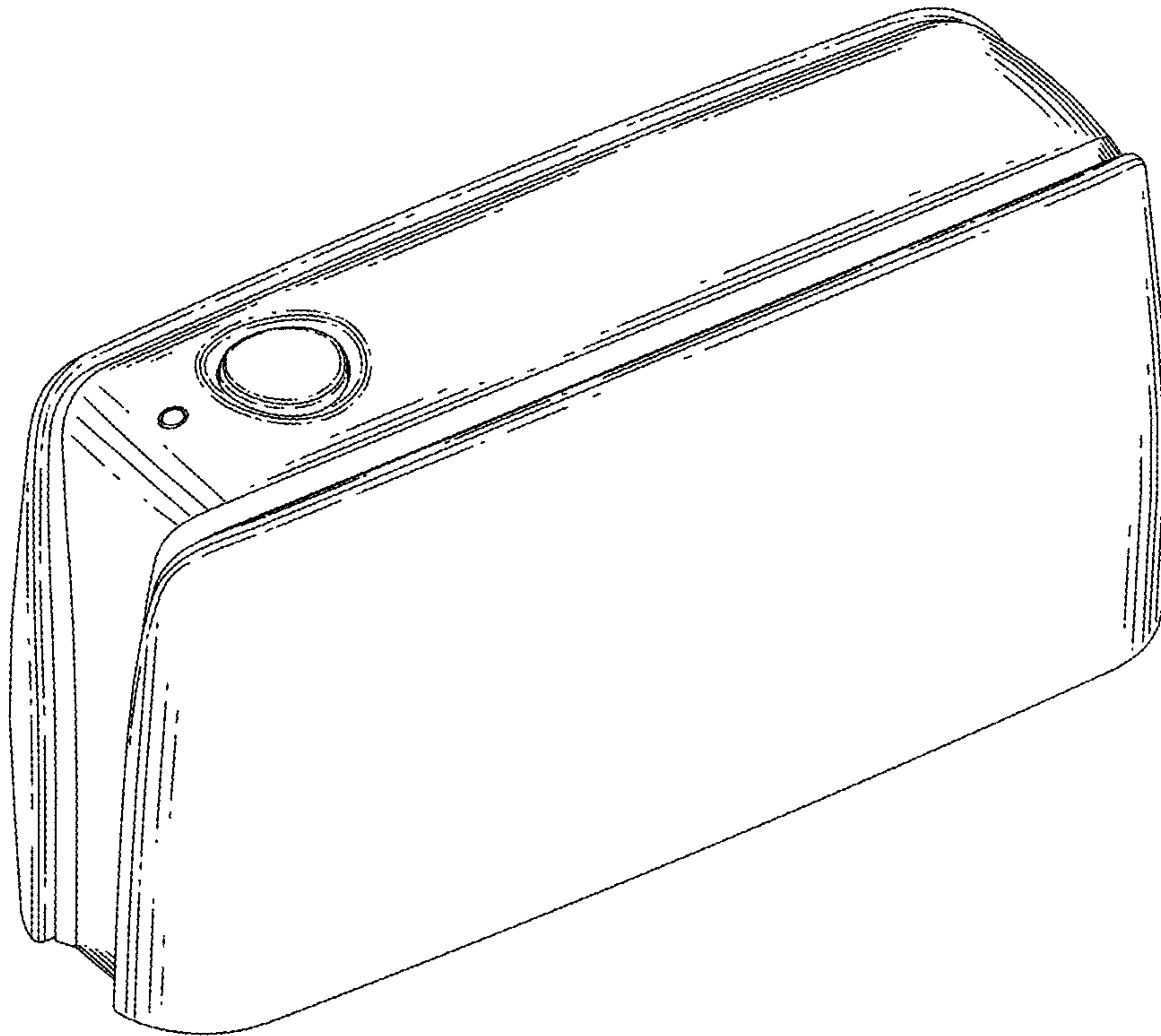


FIG. 1

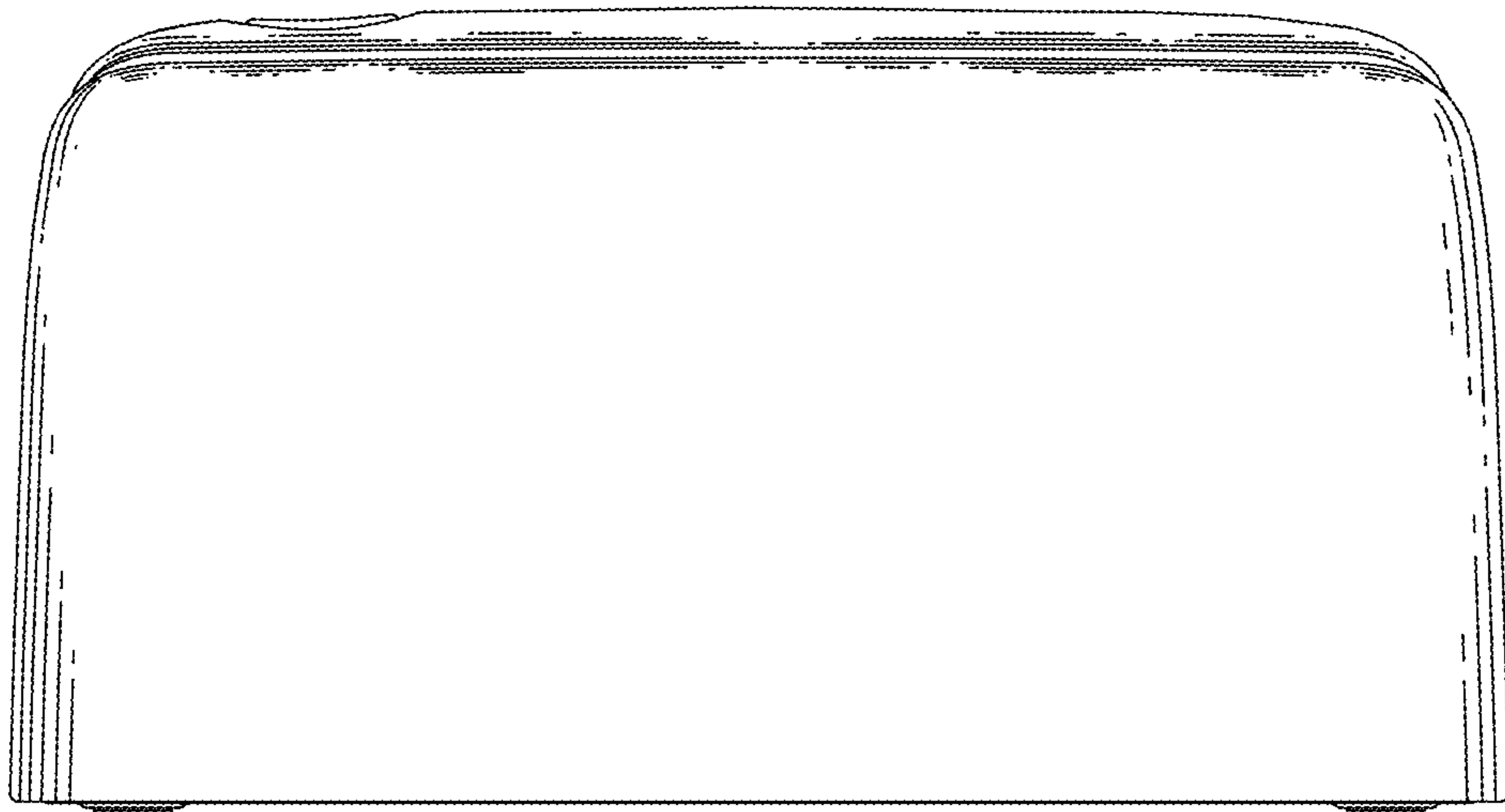


FIG. 2

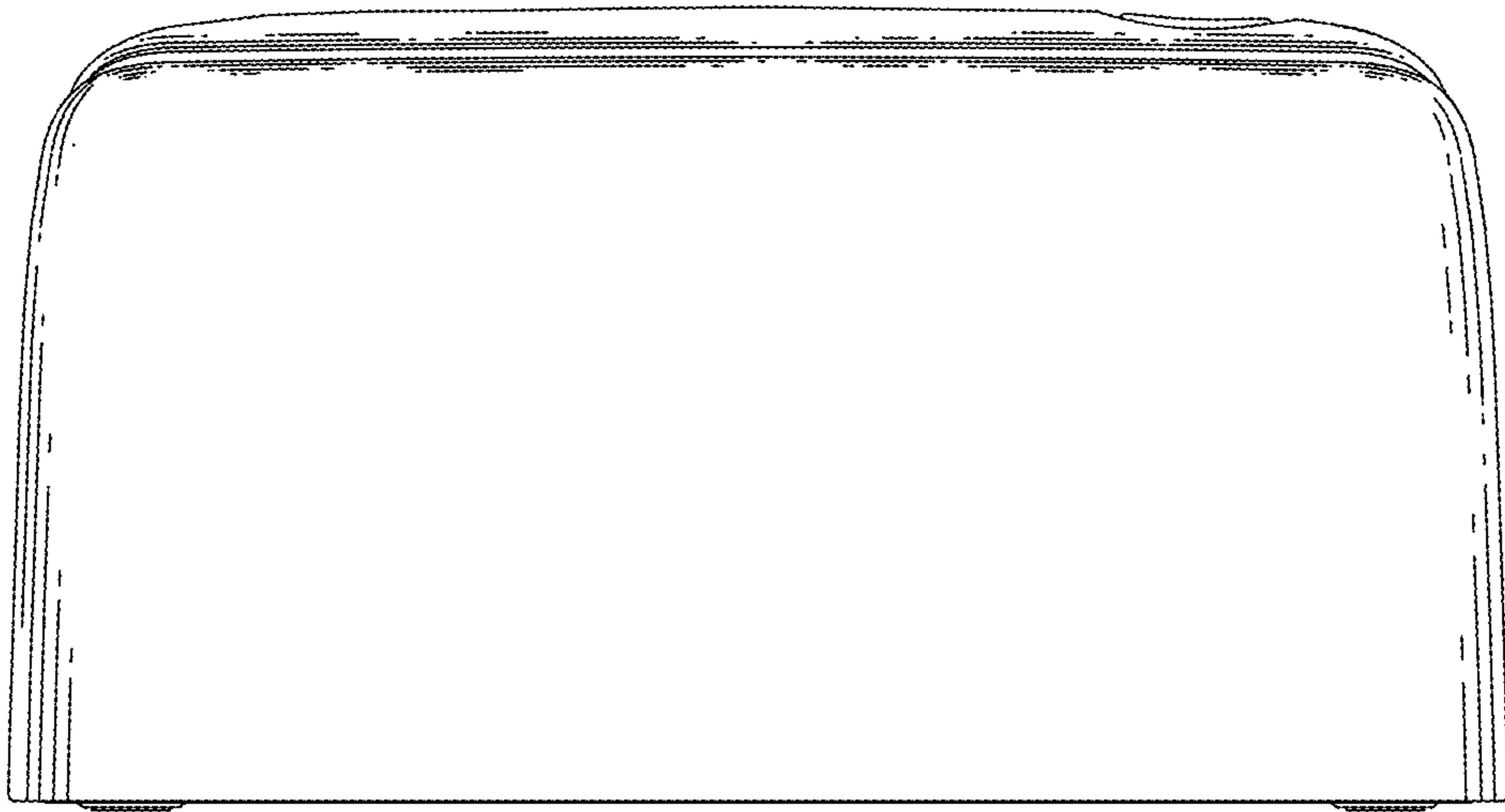


FIG. 3

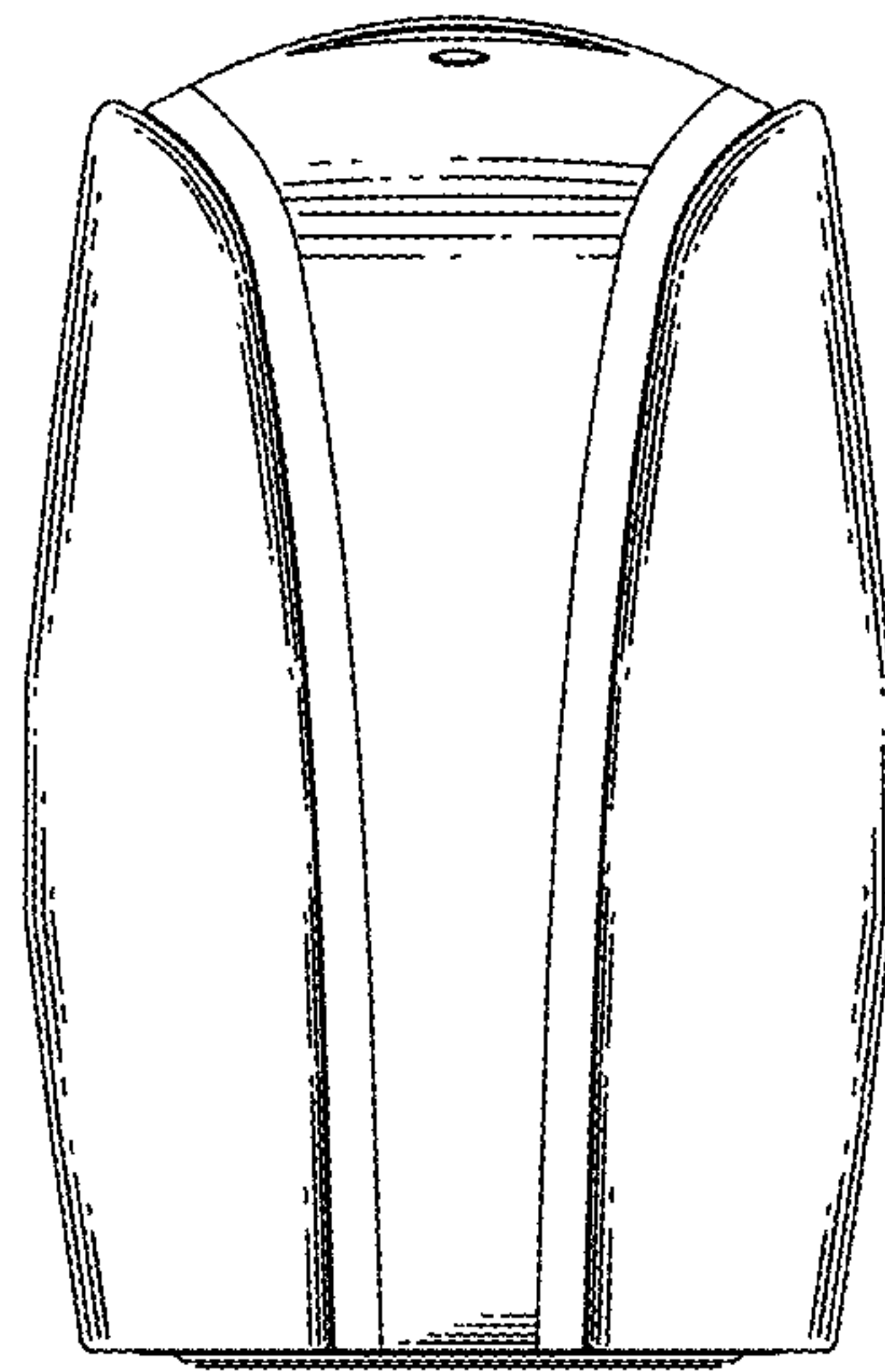


FIG. 4

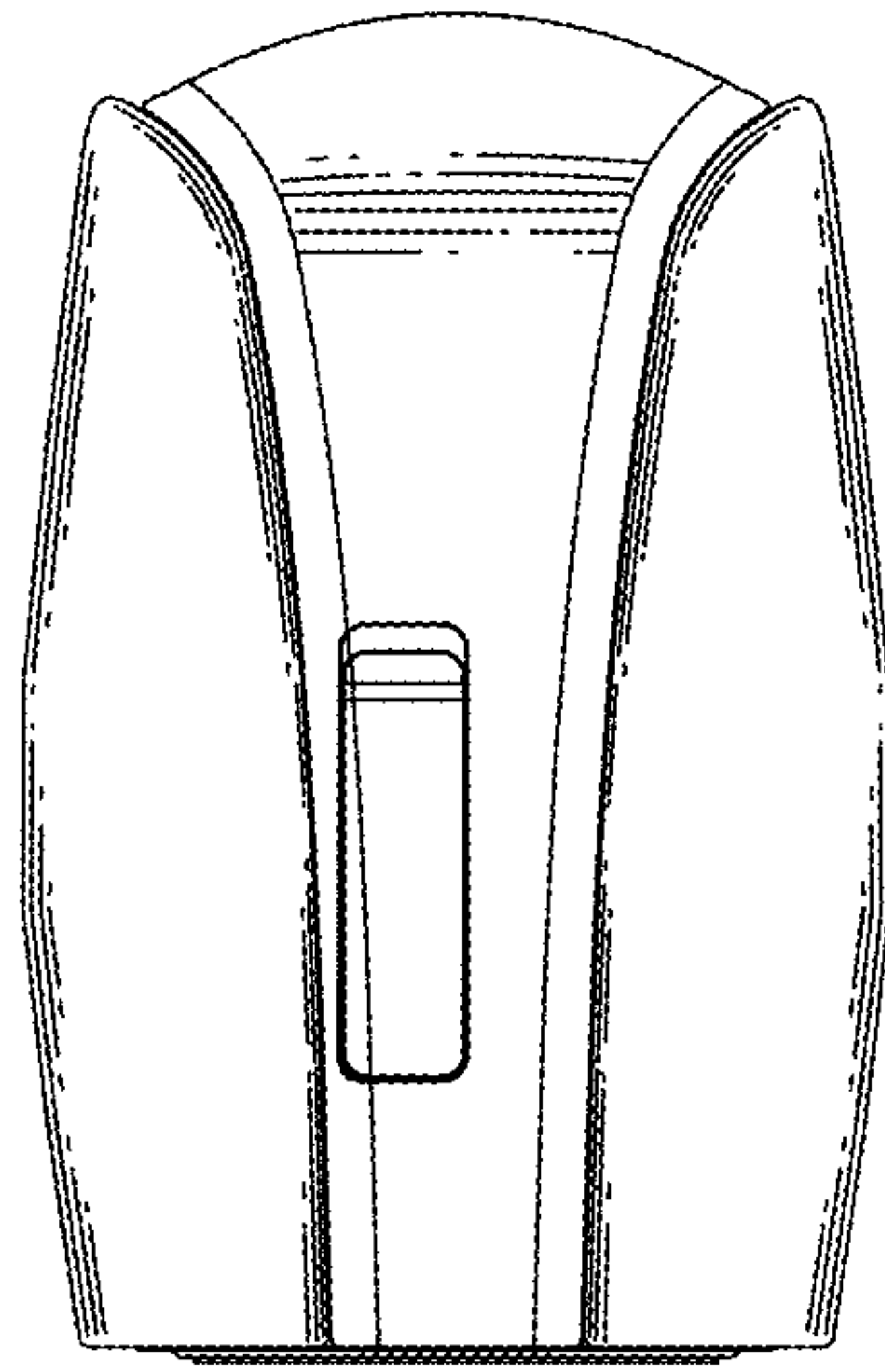


FIG. 5

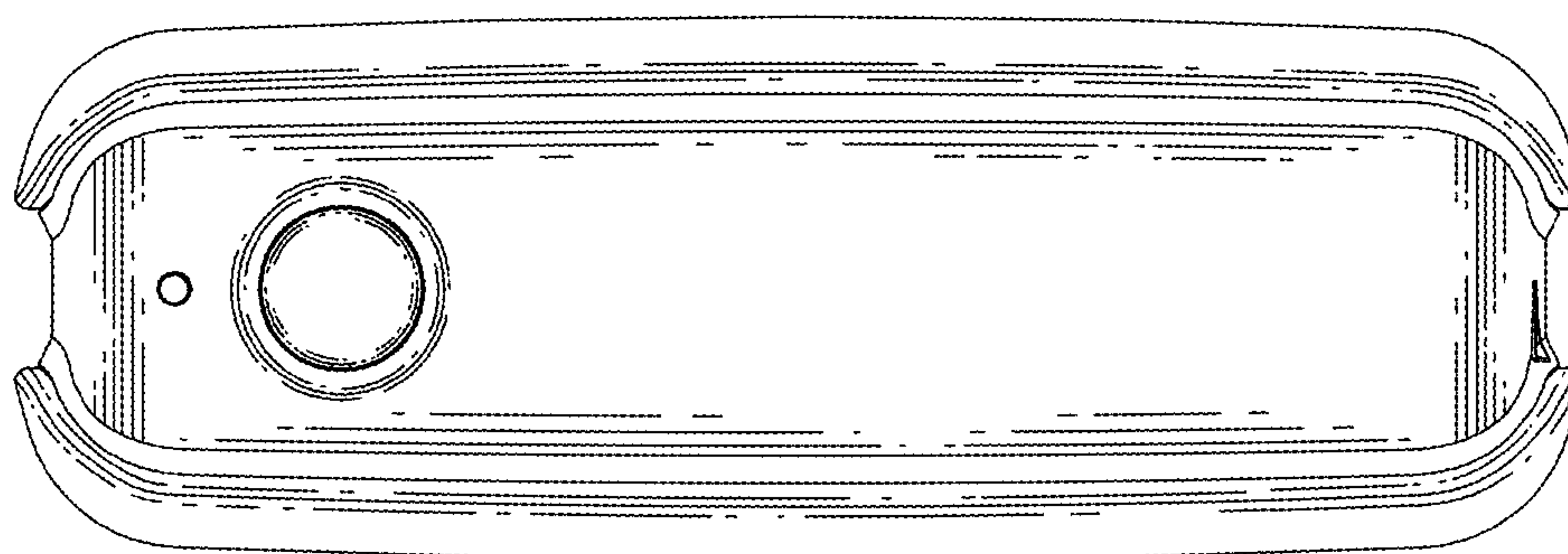


FIG. 6

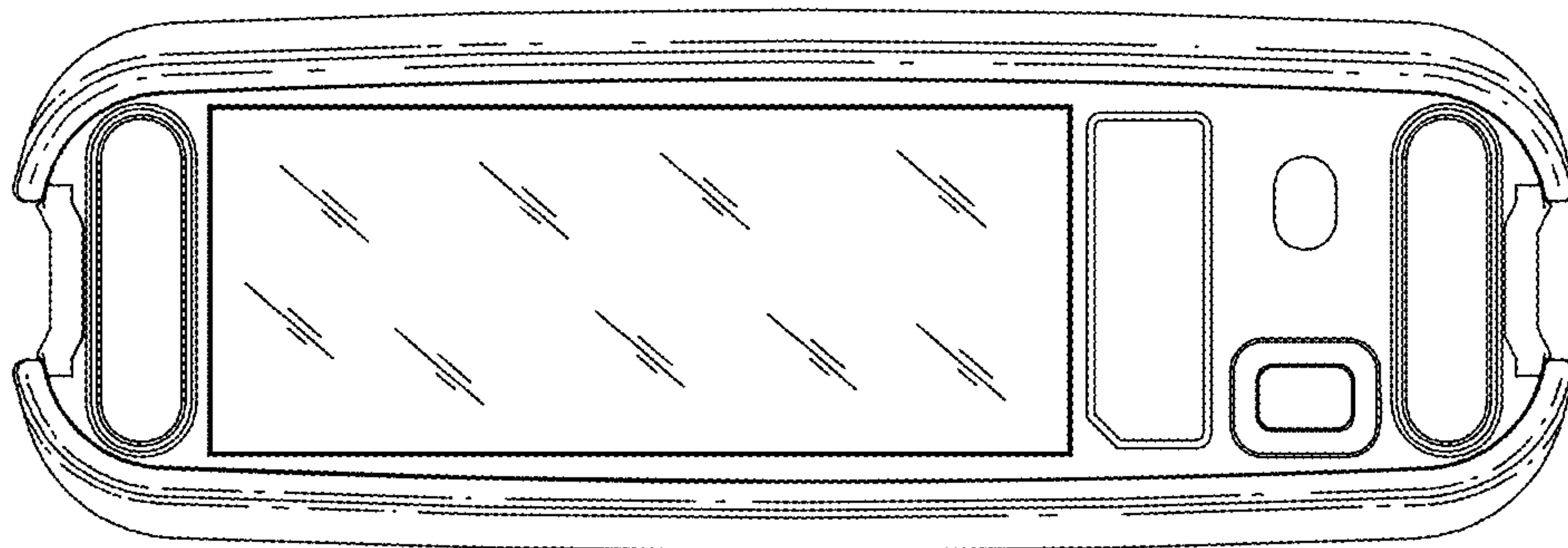


FIG. 7

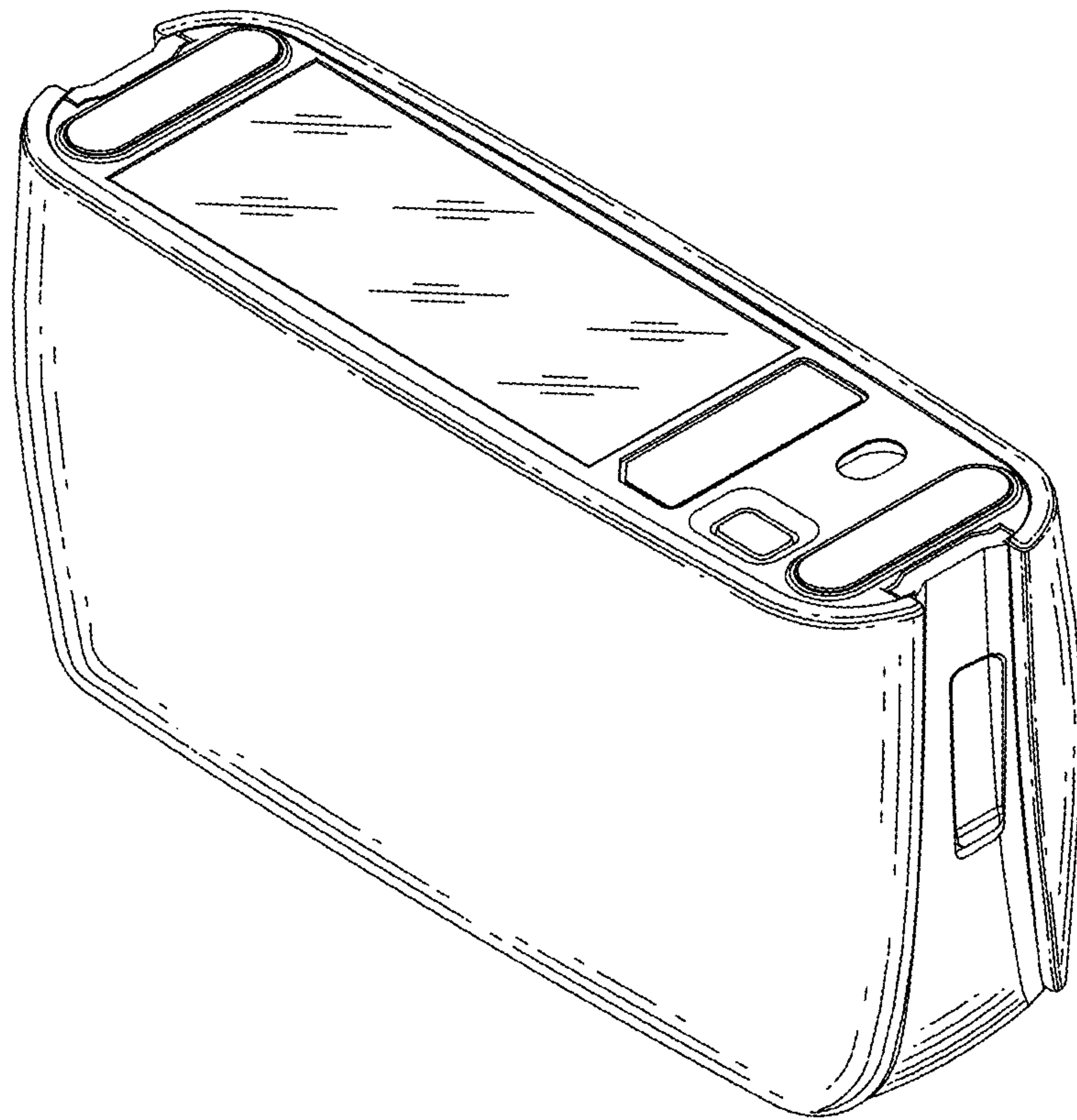


FIG. 8