

US00D734749S

(12) **United States Design Patent**
Chen

(10) **Patent No.:** **US D734,749 S**
(45) **Date of Patent:** **** Jul. 21, 2015**

(54) **MOBILE COMPUTER**

(71) Applicant: **GETAC TECHNOLOGY CORPORATION**, Hsinchu County (TW)

(72) Inventor: **Ying-Chun Chen**, Taipei (TW)

(73) Assignee: **Getac Technology Corporation**, Hsinchu County (TW)

(**) Term: **14 Years**

(21) Appl. No.: **29/503,419**

(22) Filed: **Sep. 25, 2014**

Related U.S. Application Data

(62) Division of application No. 29/459,928, filed on Jul. 4, 2013, now abandoned.

(51) **LOC (10) Cl.** **14-02**

(52) **U.S. Cl.**
USPC **D14/341**

(58) **Field of Classification Search**
USPC D14/341-347, 137, 138 R, 138 AA, D14/138 C, 138 G, 496, 203.1, 203.3, 203.4, D14/203.7, 129, 130, 147, 218, 247, 248, D14/250, 374, 385, 388, 389, 315-318, 407, D14/420, 426, 439; D10/50, 104.1; D21/329; D16/200, 202, 208, 219
CPC H04M 1/0202; H04M 1/0264; H04M 1/0214; H04M 1/0279; H04M 1/0281; H04M 1/0283; H04M 1/72544; H04M 1/72552; G06F 1/1613; G06F 1/1624; G06F 1/1626; G06F 1/165; G06F 3/0485; G06F 3/0488

See application file for complete search history.

(56) **References Cited**

U.S. PATENT DOCUMENTS

D509,827 S *	9/2005	Johnson	D14/374
D519,394 S *	4/2006	DiPasquale	D10/106.1
7,050,841 B1 *	5/2006	Onda	455/575.8
D524,767 S *	7/2006	Imboden et al.	D14/126
D540,705 S *	4/2007	Shubin	D10/65
D559,859 S *	1/2008	Kim	D14/496
D563,377 S *	3/2008	Price et al.	D14/138 AD
D571,757 S *	6/2008	Kesler et al.	D14/137
D572,675 S *	7/2008	Qiu et al.	D14/126
D575,056 S *	8/2008	Tan	D3/218
D582,149 S *	12/2008	Tan	D3/218
D594,864 S *	6/2009	Song	D14/358
D595,291 S *	6/2009	Takemasa	D14/346
D598,914 S *	8/2009	Song et al.	D14/345
D601,139 S *	9/2009	Huang et al.	D14/341
D602,933 S *	10/2009	Huang et al.	D14/346
D608,358 S *	1/2010	Ong	D14/345
D608,746 S *	1/2010	Tu	D14/126
D609,464 S *	2/2010	Bullen	D3/218

(Continued)

Primary Examiner — Barbara Fox
Assistant Examiner — Dana K Weiland

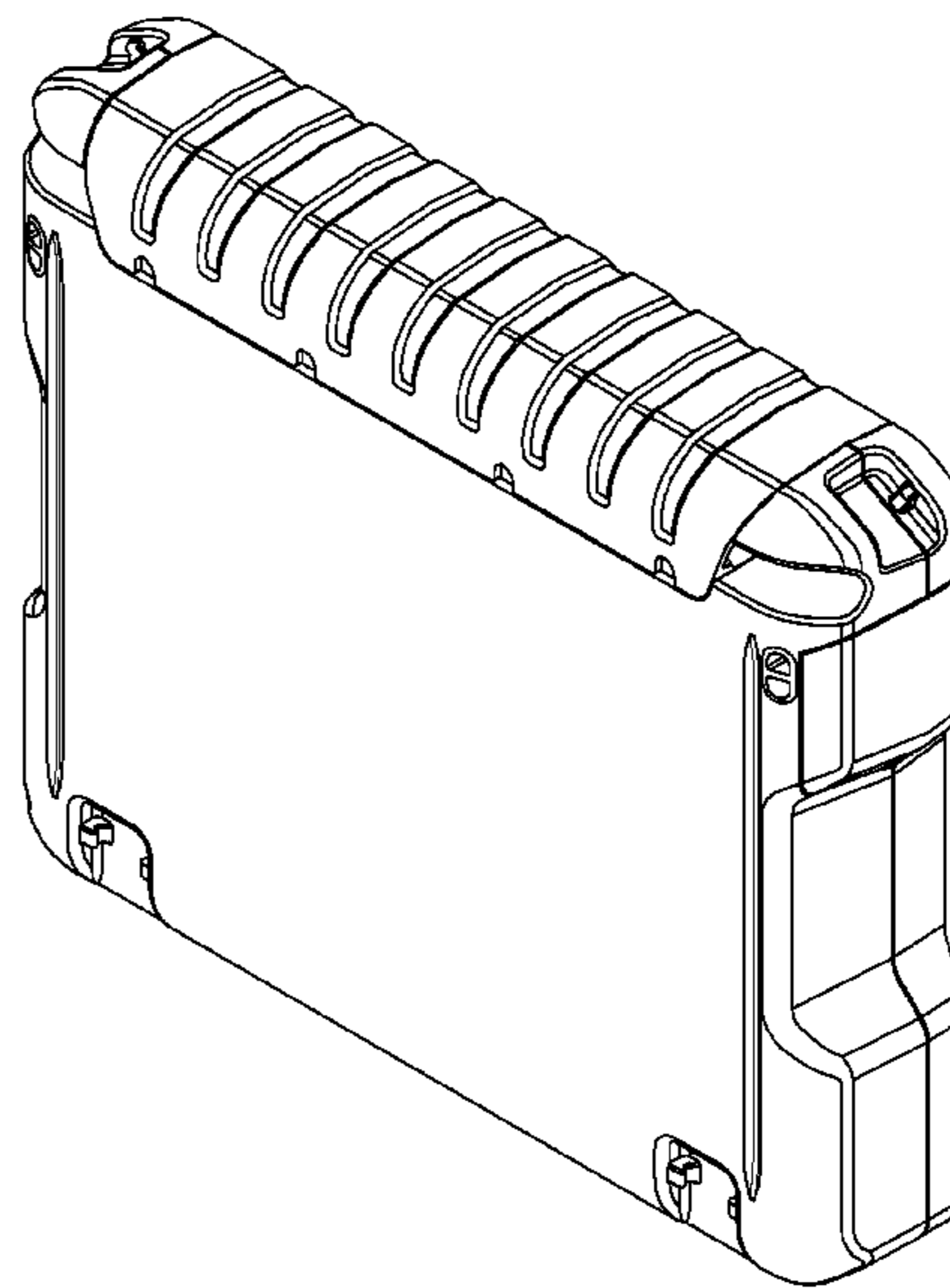
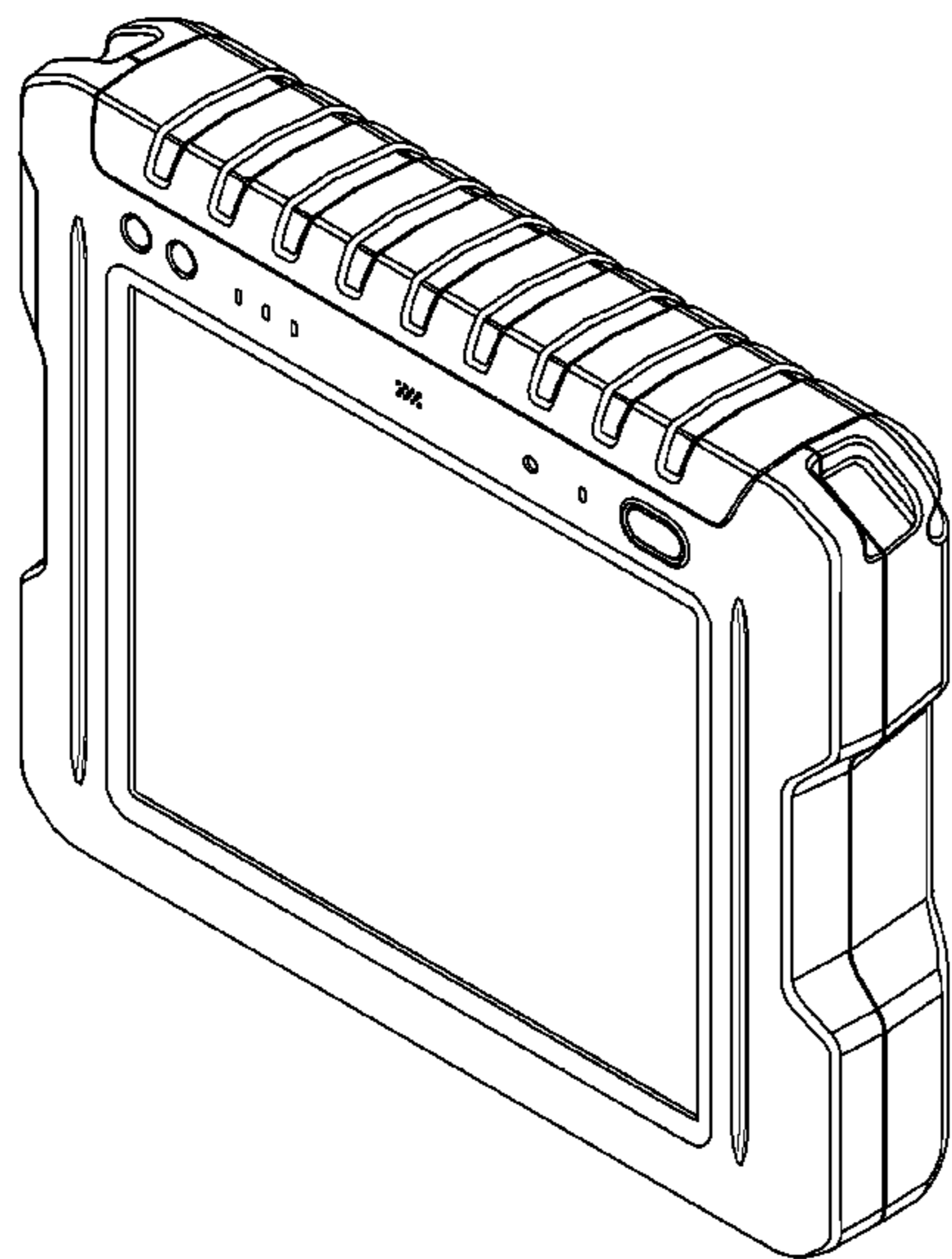
(57) **CLAIM**

The ornamental design for a mobile computer, as shown and described.

DESCRIPTION

FIG. 1 is a front perspective view of a mobile computer showing my new design.
FIG. 2 is a rear perspective view of my new design;
FIG. 3 is a front view of my new design;
FIG. 4 is a rear view of my new design;
FIG. 5 is a right side view of my new design;
FIG. 6 is a left side view of my new design;
FIG. 7 is a top view of my new design; and,
FIG. 8 is a bottom view of my new design.

1 Claim, 6 Drawing Sheets



(56)

References Cited

U.S. PATENT DOCUMENTS

7,782,610 B2 * 8/2010 Diebel et al. 361/679.56
D645,040 S * 9/2011 Morton et al. D14/341
D654,499 S * 2/2012 Wesolek D14/346
D668,649 S * 10/2012 Burke et al. D14/341
D672,767 S * 12/2012 Yoneya et al. D14/341

D683,338 S * 5/2013 Wilson et al. D14/250
D691,131 S * 10/2013 Brown et al. D14/341
D694,752 S * 12/2013 Li D14/341
D700,148 S * 2/2014 Paul et al. D13/168
8,787,009 B2 * 7/2014 Wilson et al. 361/679.26
D715,293 S * 10/2014 Li D14/346
D715,795 S * 10/2014 McManigal D14/341

* cited by examiner

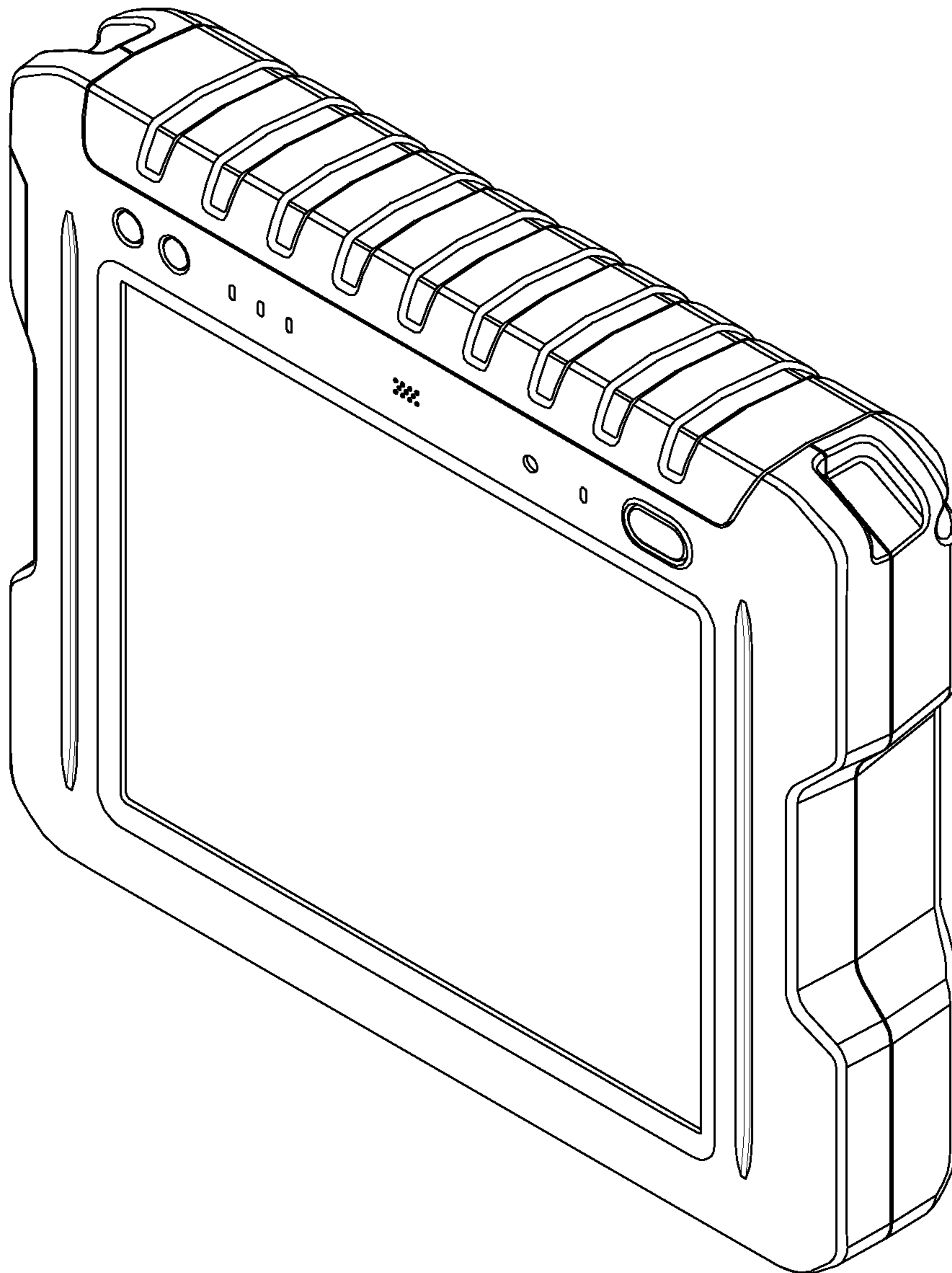


FIG. 1

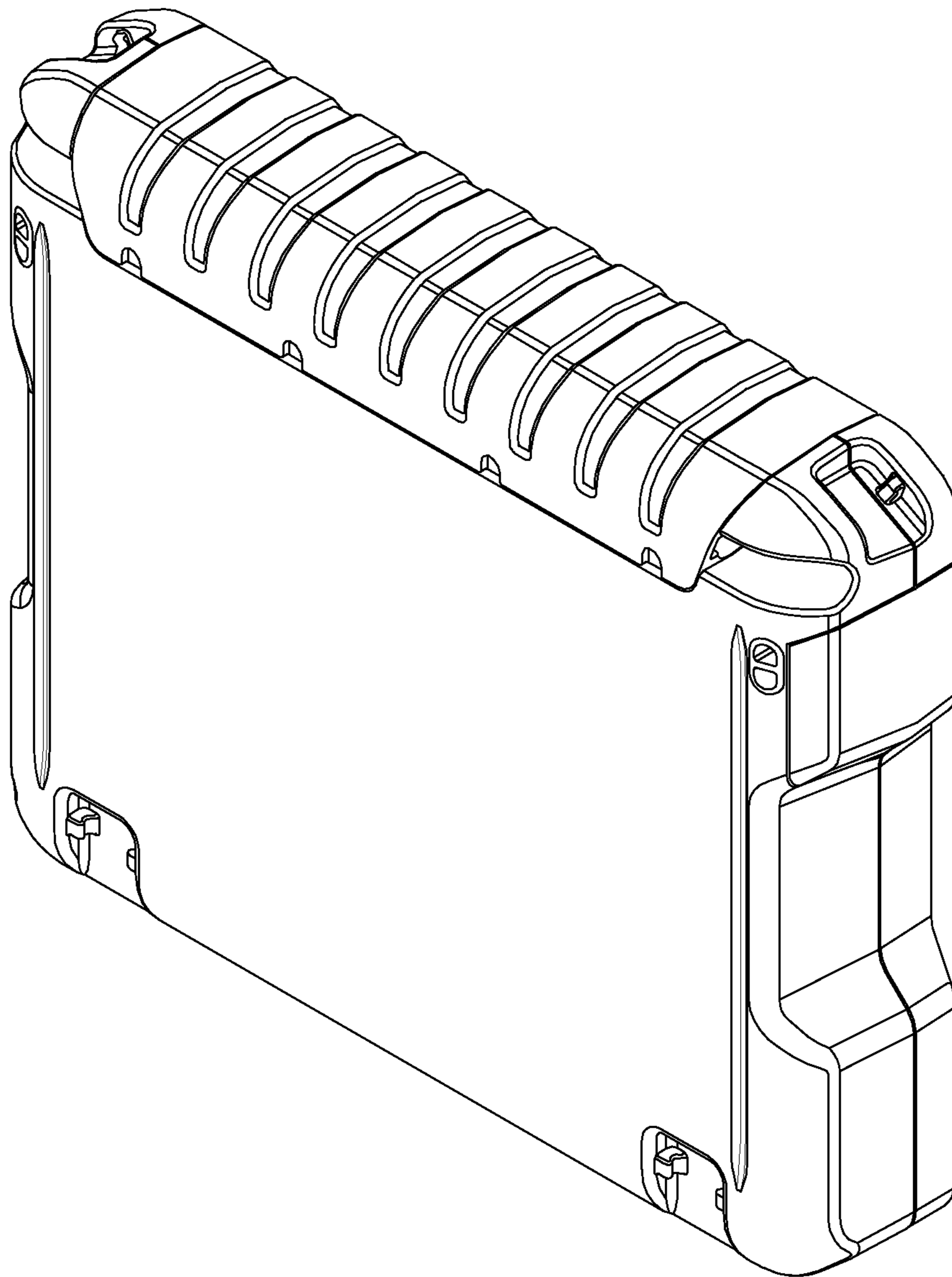


FIG. 2

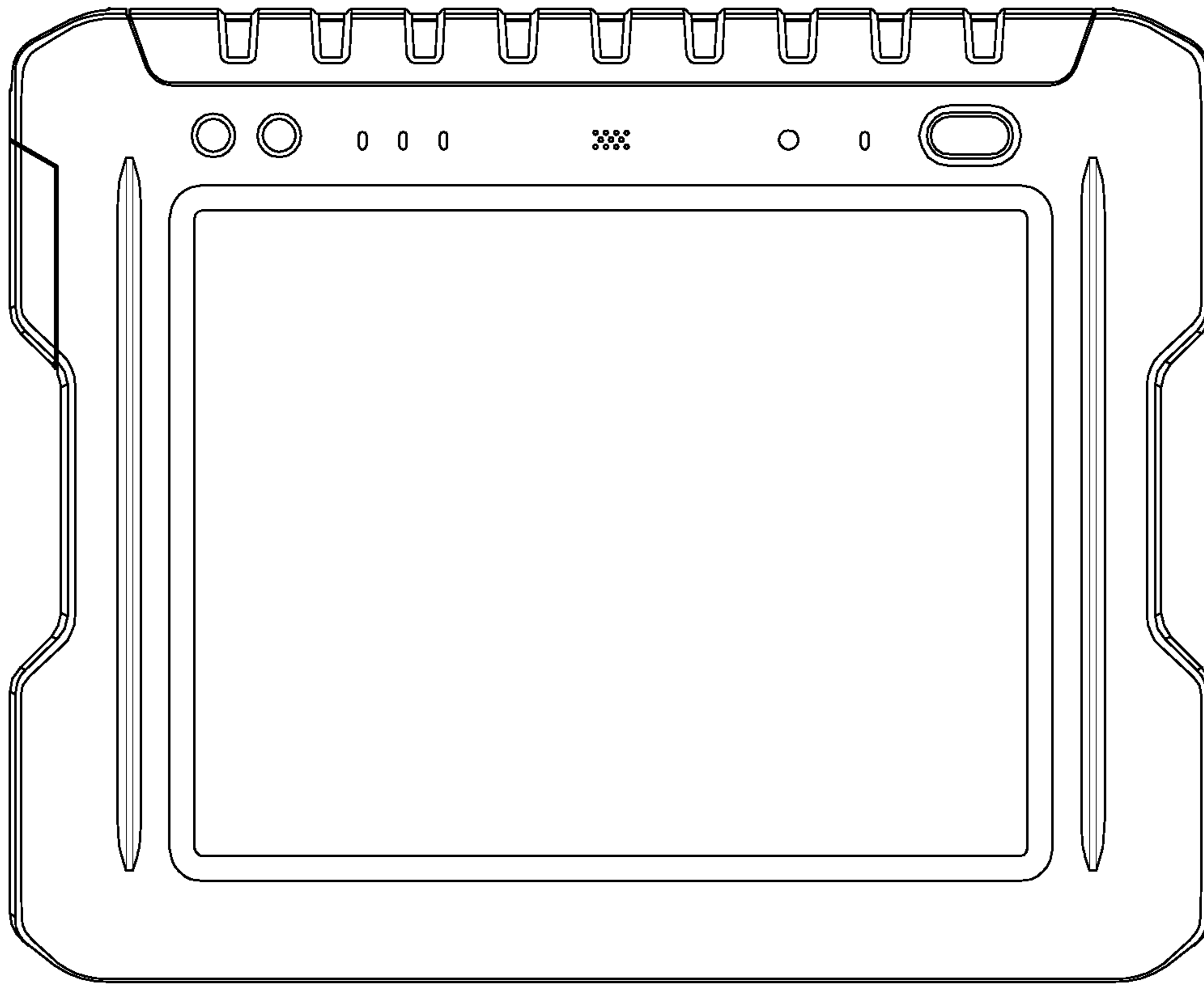


FIG. 3

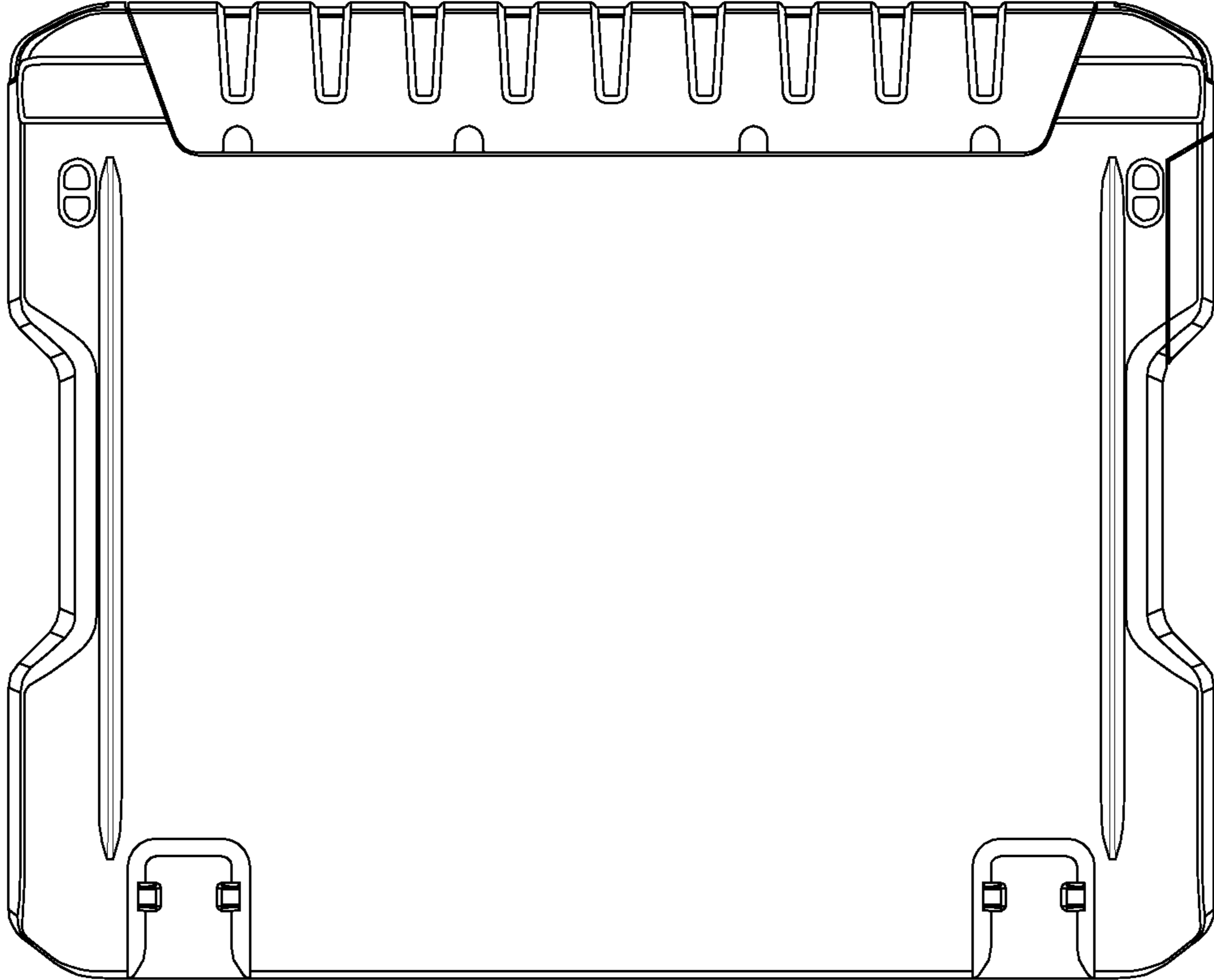


FIG. 4

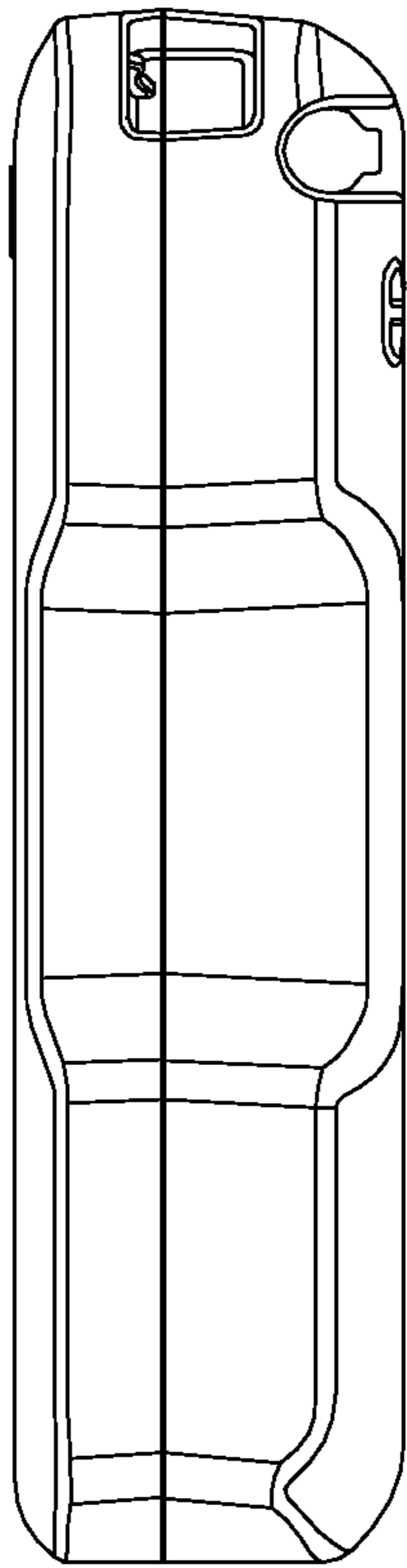


FIG. 5

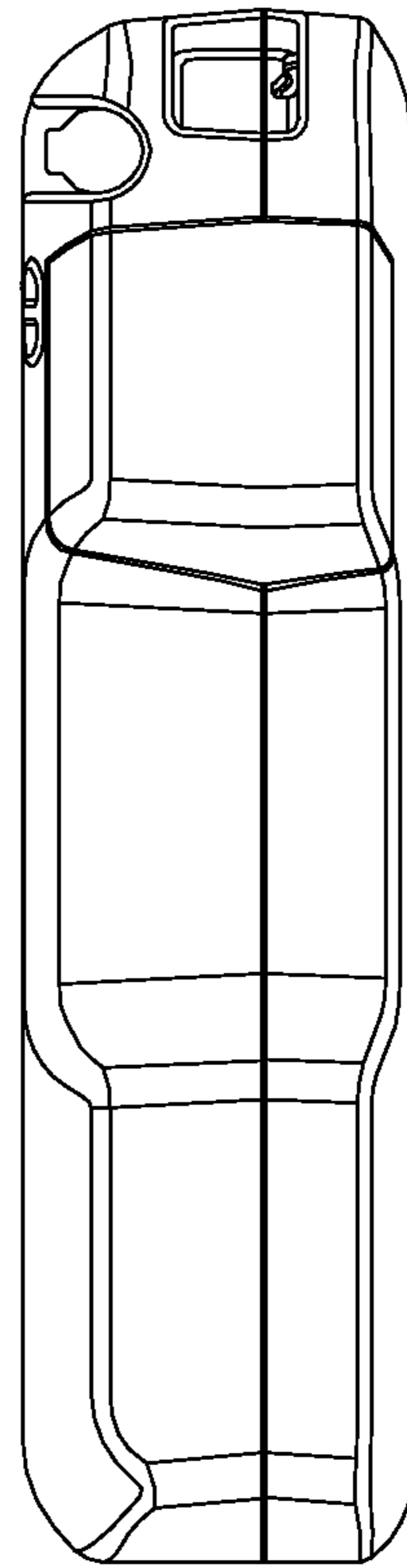


FIG. 6

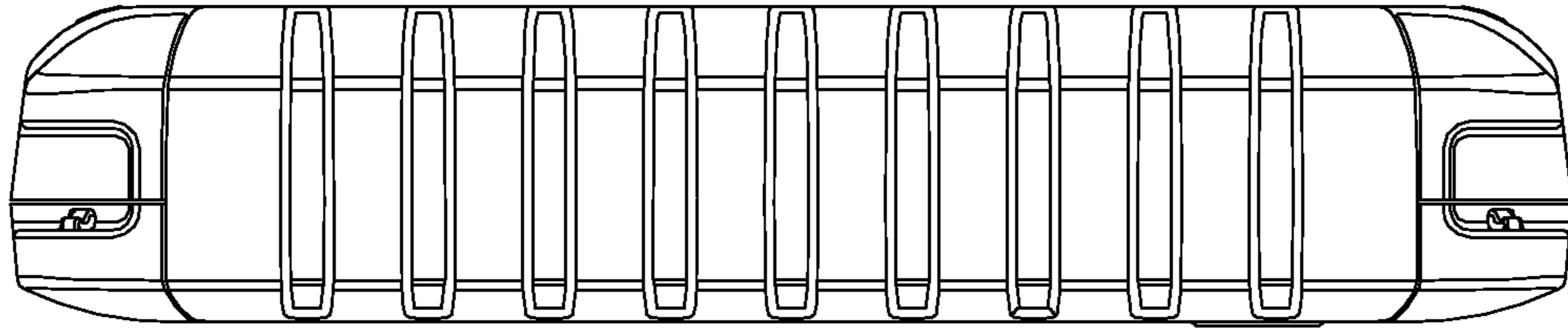


FIG. 7

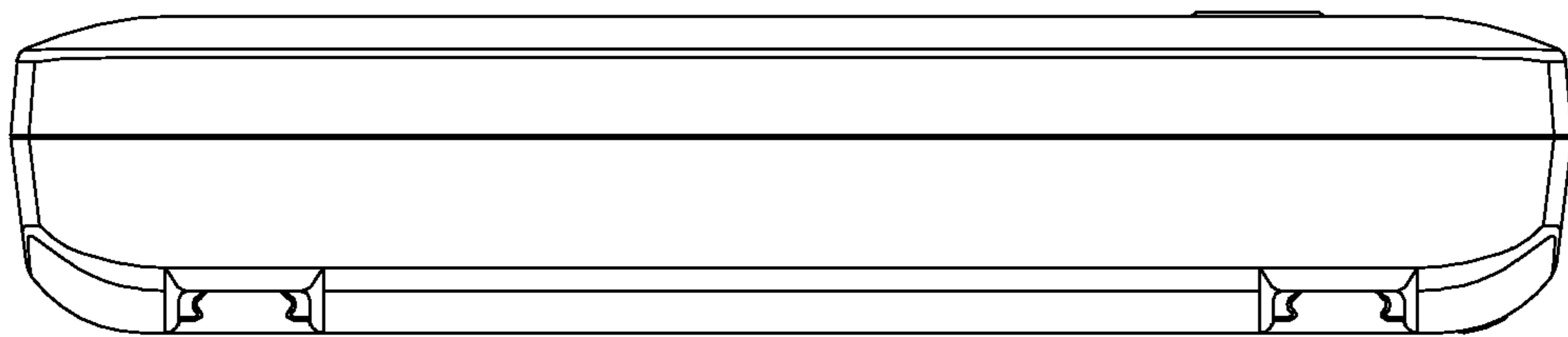


FIG. 8