



US00D734748S

(12) **United States Design Patent**
Chen

(10) **Patent No.:** **US D734,748 S**

(45) **Date of Patent:** **** *Jul. 21, 2015**

(54) **MOBILE COMPUTER**

DESCRIPTION

- (71) Applicant: **GETAC TECHNOLOGY CORPORATION**, Hsinchu County (TW)
- (72) Inventor: **Ying-Chun Chen**, Taipei (TW)
- (73) Assignee: **Getac Technology Corporation**, Hsinchu County (TW)
- (*) Notice: This patent is subject to a terminal disclaimer.
- (**) Term: **14 Years**
- (21) Appl. No.: **29/459,928**
- (22) Filed: **Jul. 4, 2013**
- (51) **LOC (10) Cl.** **14-02**
- (52) **U.S. Cl.**
USPC **D14/341**
- (58) **Field of Classification Search**
USPC D14/341-347, 137, 138 R, 138 AA, D14/138 C, 138 G, 496, 203.1, 203.3, 203.4, D14/203.7, 129, 130, 147, 218, 247, 248, D14/388, 389, 315-318, 420, 426; D10/65, D10/104.1; D18/6, 7; D21/324, 329, 330, D21/332; 455/556.1, 556.2, 566, 575.1, 455/90.3; 379/433.04, 433.01, 433.06, 916; 345/173, 901, 905; 361/679.26, 361/679.27, 679.3, 679.55, 679.56
See application file for complete search history.

FIG. 1 is a front perspective view of a first embodiment of a mobile computer showing my new design;
 FIG. 2 is a rear perspective view of the first embodiment of my new design;
 FIG. 3 is a front view of the first embodiment of my new design;
 FIG. 4 is a rear view of the first embodiment of my new design;
 FIG. 5 is a right side view of the first embodiment of my new design;
 FIG. 6 is a left side view of the first embodiment of my new design;
 FIG. 7 is a top view of the first embodiment of my new design;
 FIG. 8 is a bottom view of the first embodiment of my new design;
 FIG. 9 is a front perspective view of a second embodiment of a mobile computer showing my new design;
 FIG. 10 is a rear perspective view of the second embodiment of my new design;
 FIG. 11 is a front view of the second embodiment of my new design;
 FIG. 12 is a rear view of the second embodiment of my new design;
 FIG. 13 is a right side view of the first embodiment of my new design;
 FIG. 14 is a left side view of the first embodiment of my new design;
 FIG. 15 is a top view of the second embodiment of my new design;
 FIG. 16 is a bottom view of the second embodiment of my new design;
 FIG. 17 is a front perspective view of a third embodiment of a mobile computer showing my new design;
 FIG. 18 is a rear perspective view of the third embodiment of my new design;
 FIG. 19 is a front view of the third embodiment of my new design;
 FIG. 20 is a rear view of the third embodiment of my new design;
 FIG. 21 is a right side view of the first embodiment of my new design;
 FIG. 22 is a left side view of the first embodiment of my new design;
 FIG. 23 is a top view of the third embodiment of my new design; and,
 FIG. 24 is a bottom view of the third embodiment of my new design.

(56) **References Cited**

U.S. PATENT DOCUMENTS

- 6,266,685 B1 * 7/2001 Danielson et al. 708/141
- 6,317,313 B1 * 11/2001 Mosgrove et al. 361/679.3

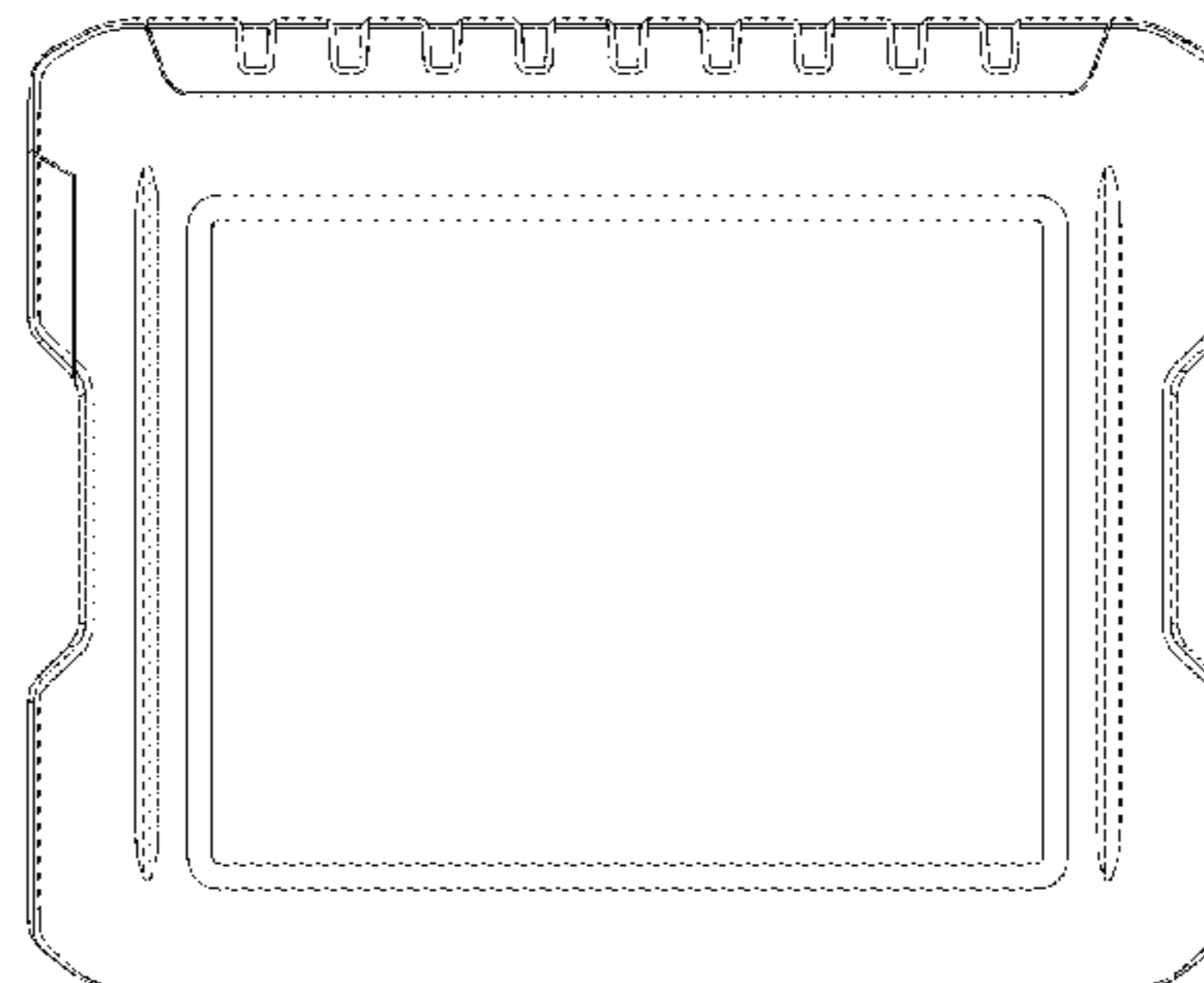
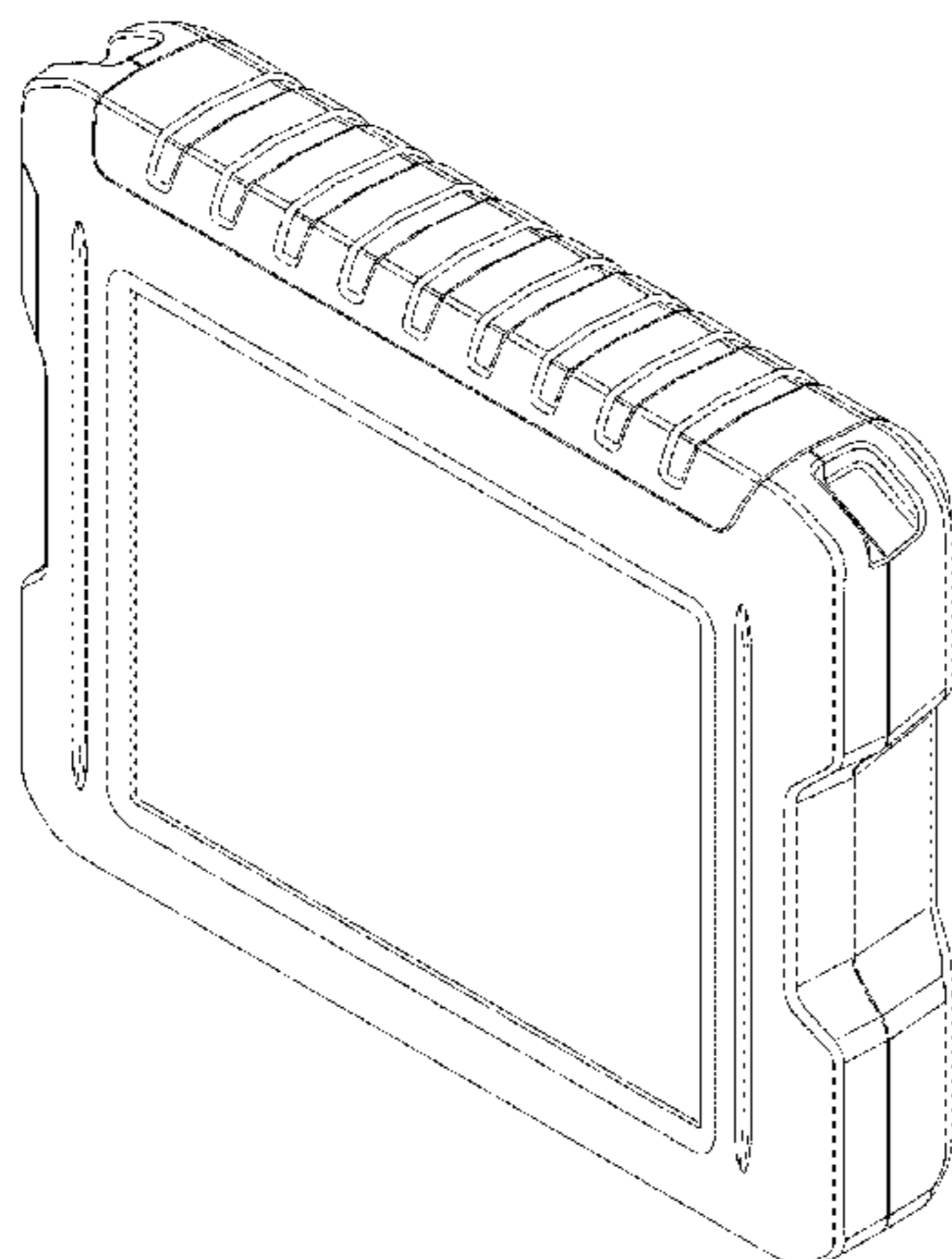
(Continued)

Primary Examiner — Barbara Fox
Assistant Examiner — Dana Weiland

(57) **CLAIM**

The ornamental design for a mobile computer, as shown and described.

1 Claim, 18 Drawing Sheets



(56)

References Cited

U.S. PATENT DOCUMENTS

D515,539 S *	2/2006	Mai et al.	D14/138 AA	D594,864 S *	6/2009	Song	D14/358
D519,394 S *	4/2006	DiPasquale	D10/106.1	D602,933 S *	10/2009	Huang et al.	D14/346
7,050,841 B1 *	5/2006	Onda	455/575.8	D608,358 S *	1/2010	Ong	D14/345
D559,859 S *	1/2008	Kim	D14/496	D609,464 S *	2/2010	Bullen	D3/218
D563,377 S *	3/2008	Price et al.	D14/138 AD	D618,648 S *	6/2010	Bang et al.	D14/138 AA
D571,757 S *	6/2008	Kesler et al.	D14/137	7,782,610 B2 *	8/2010	Diebel et al.	361/679.56
D572,675 S *	7/2008	Qiu et al.	D14/126	D654,499 S *	2/2012	Wesolek	D14/346
7,400,917 B2 *	7/2008	Wood et al.	455/575.8	D668,649 S *	10/2012	Burke et al.	D14/341
D575,056 S *	8/2008	Tan	D3/218	D683,338 S *	5/2013	Wilson et al.	D14/250
D582,149 S *	12/2008	Tan	D3/218	D685,753 S *	7/2013	Kang et al.	D14/137
				D691,131 S *	10/2013	Brown et al.	D14/341
				D700,158 S *	2/2014	Kang et al.	D14/137

* cited by examiner

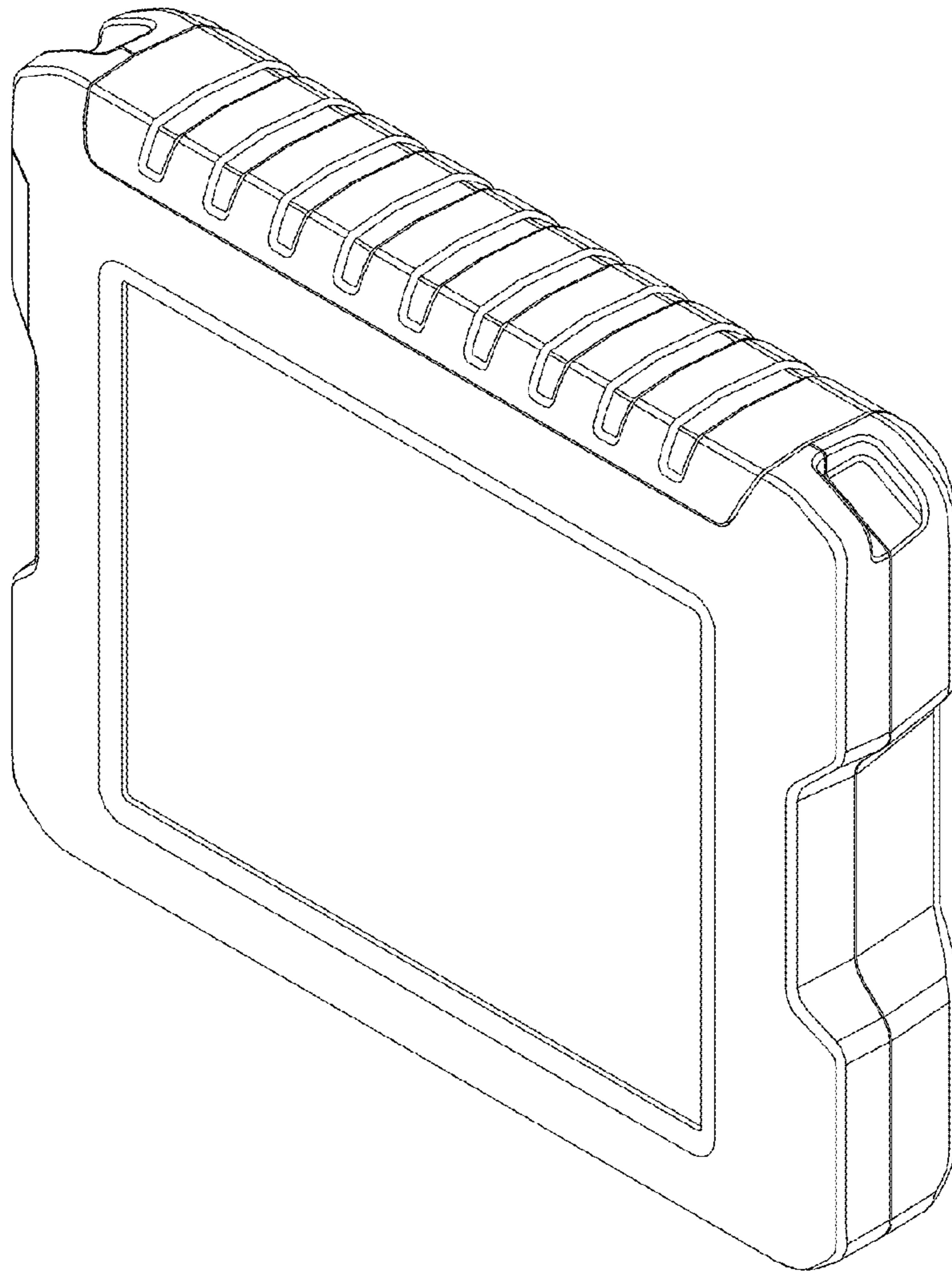


FIG. 1

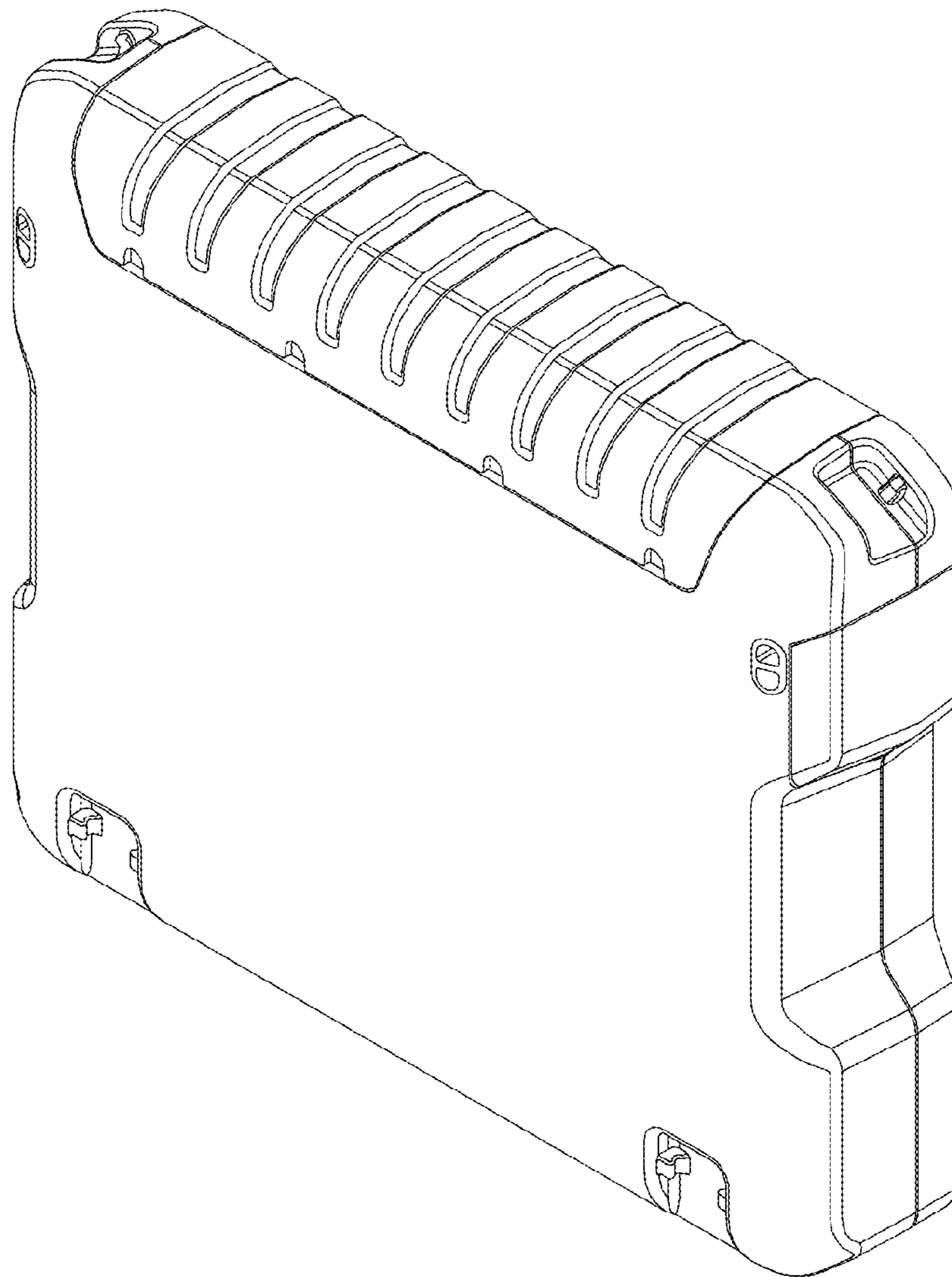


FIG. 2

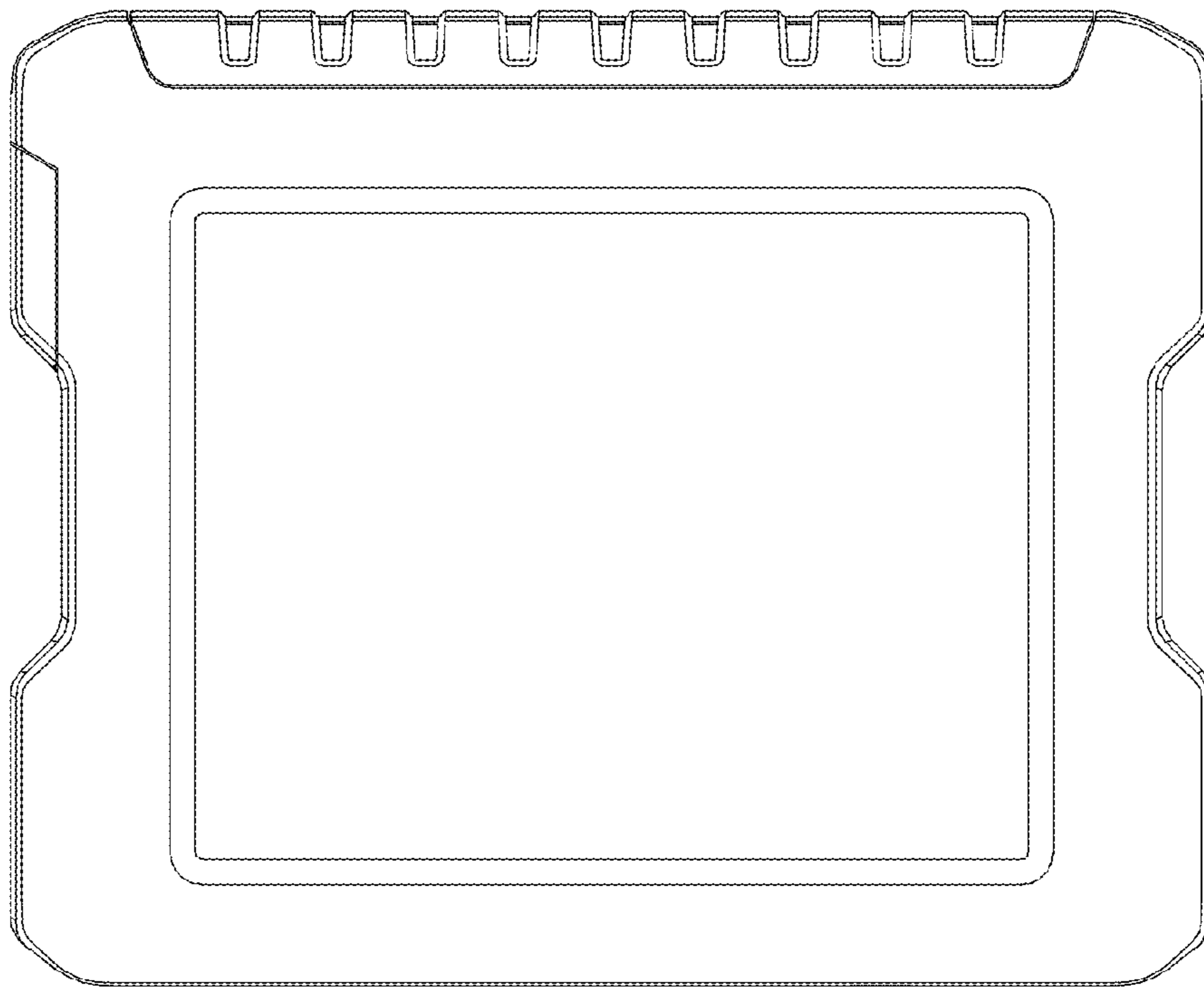


FIG. 3

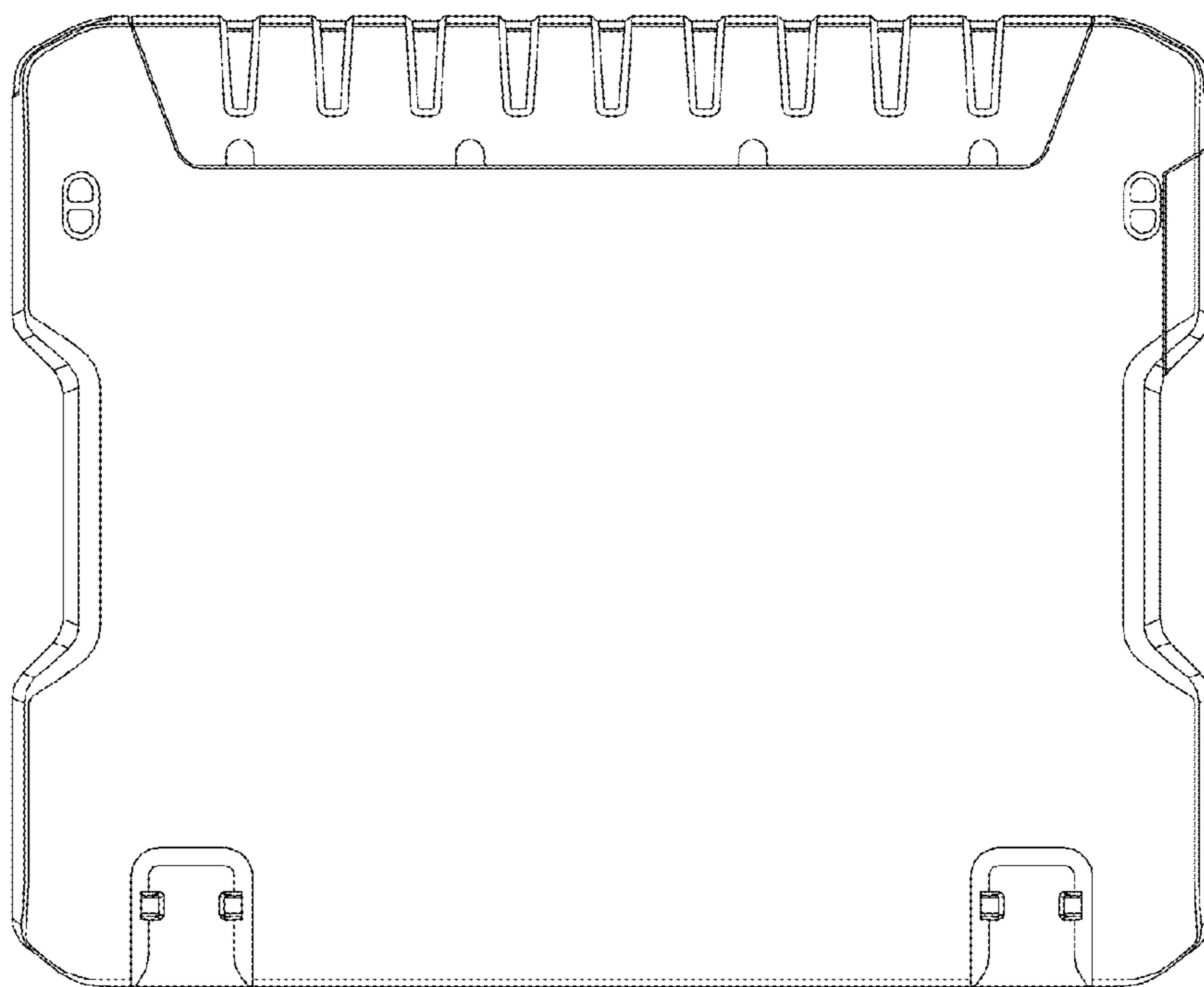


FIG. 4

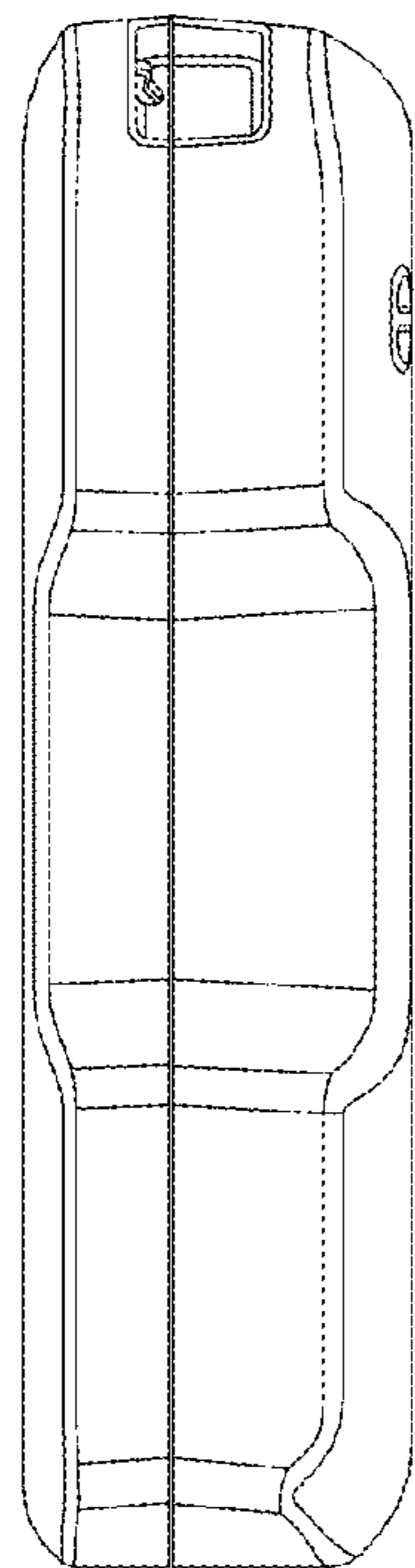


FIG. 5

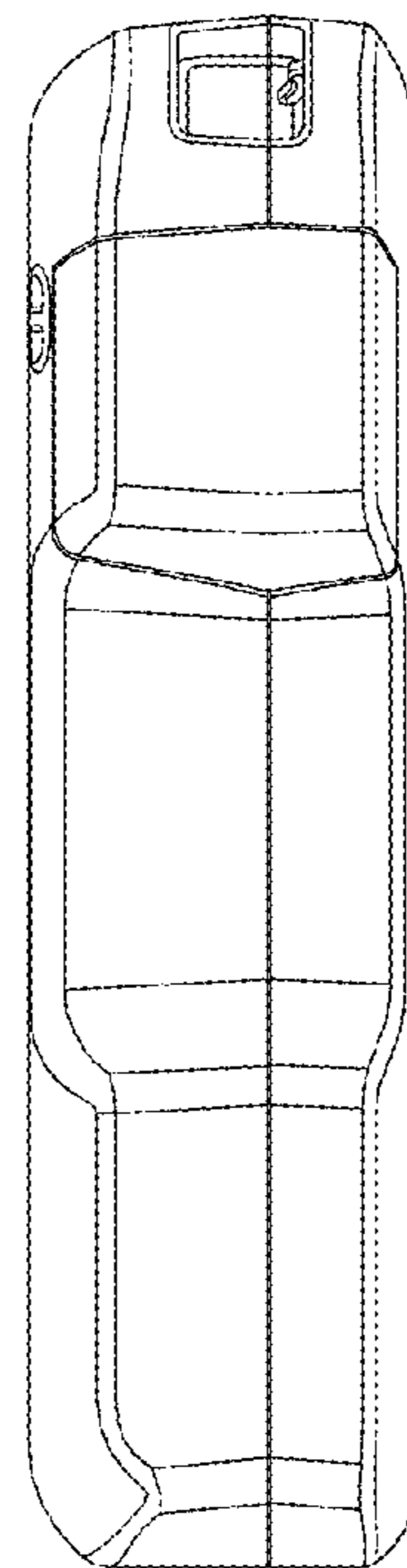


FIG. 6

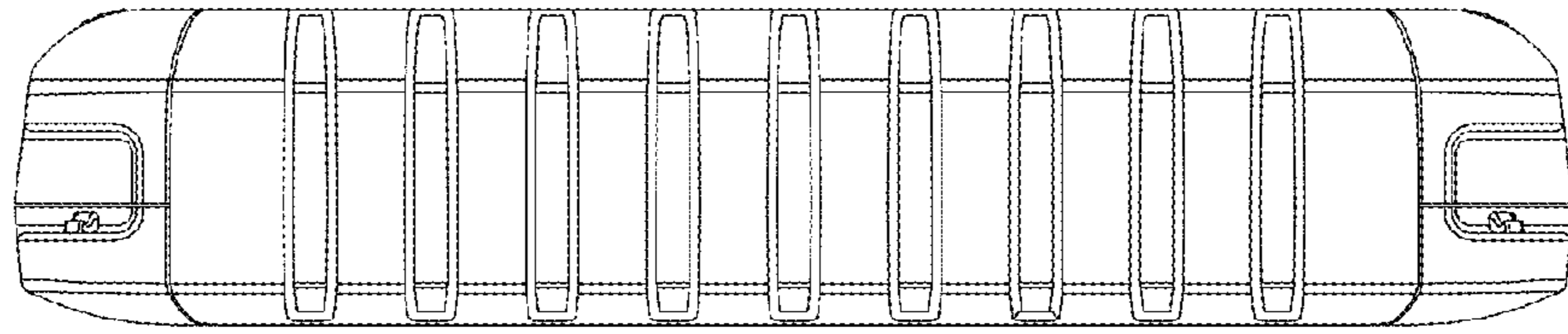


FIG. 7

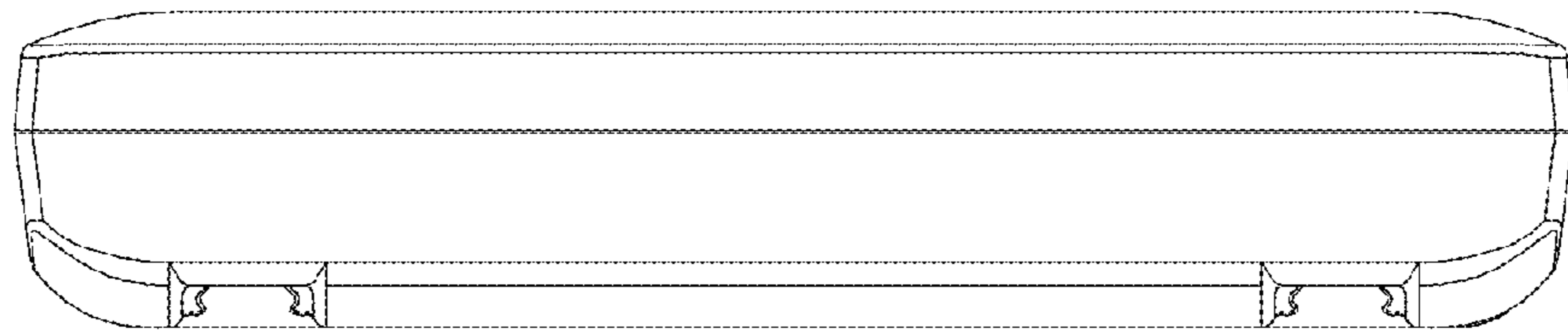


FIG. 8

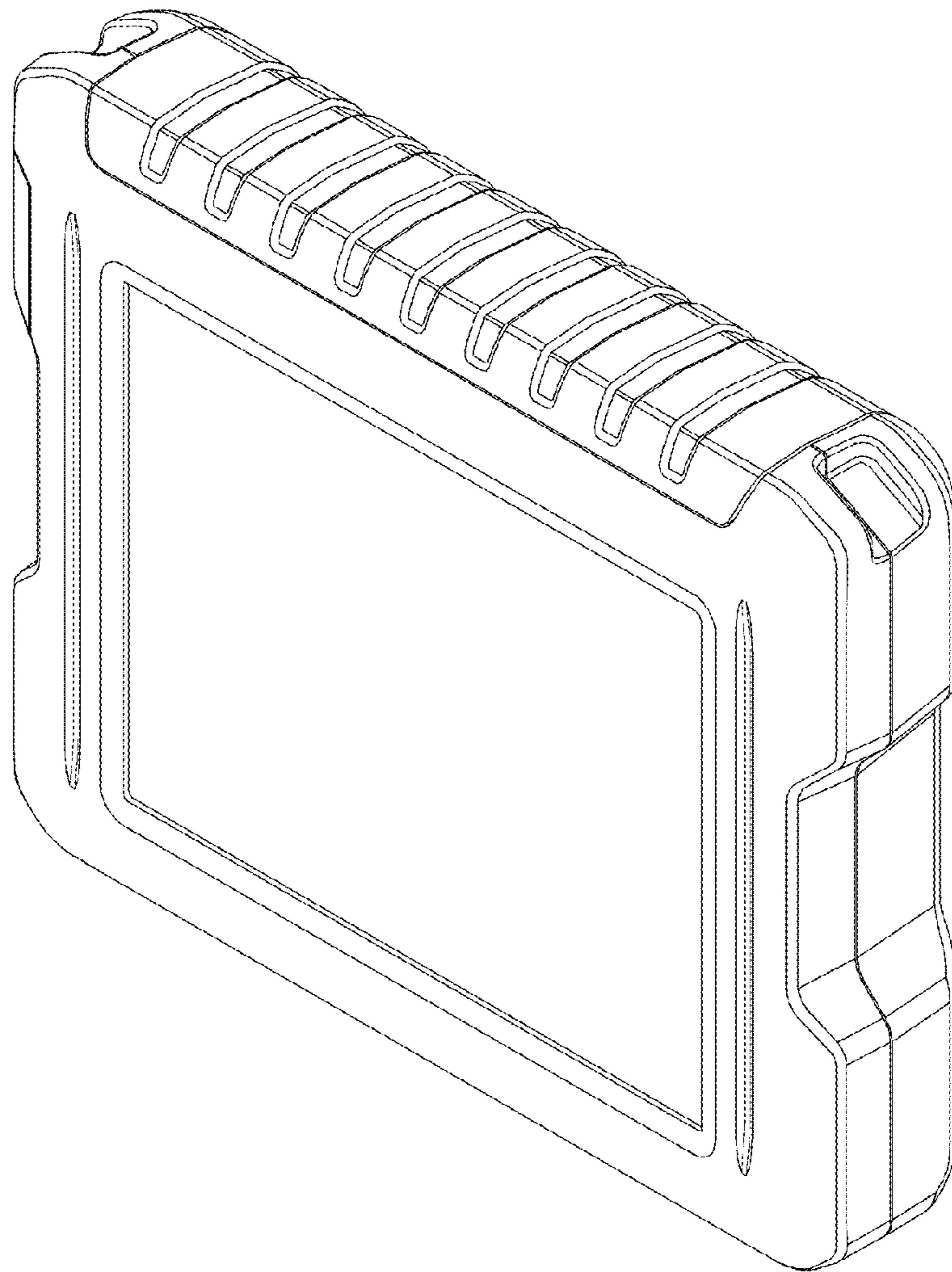


FIG. 9

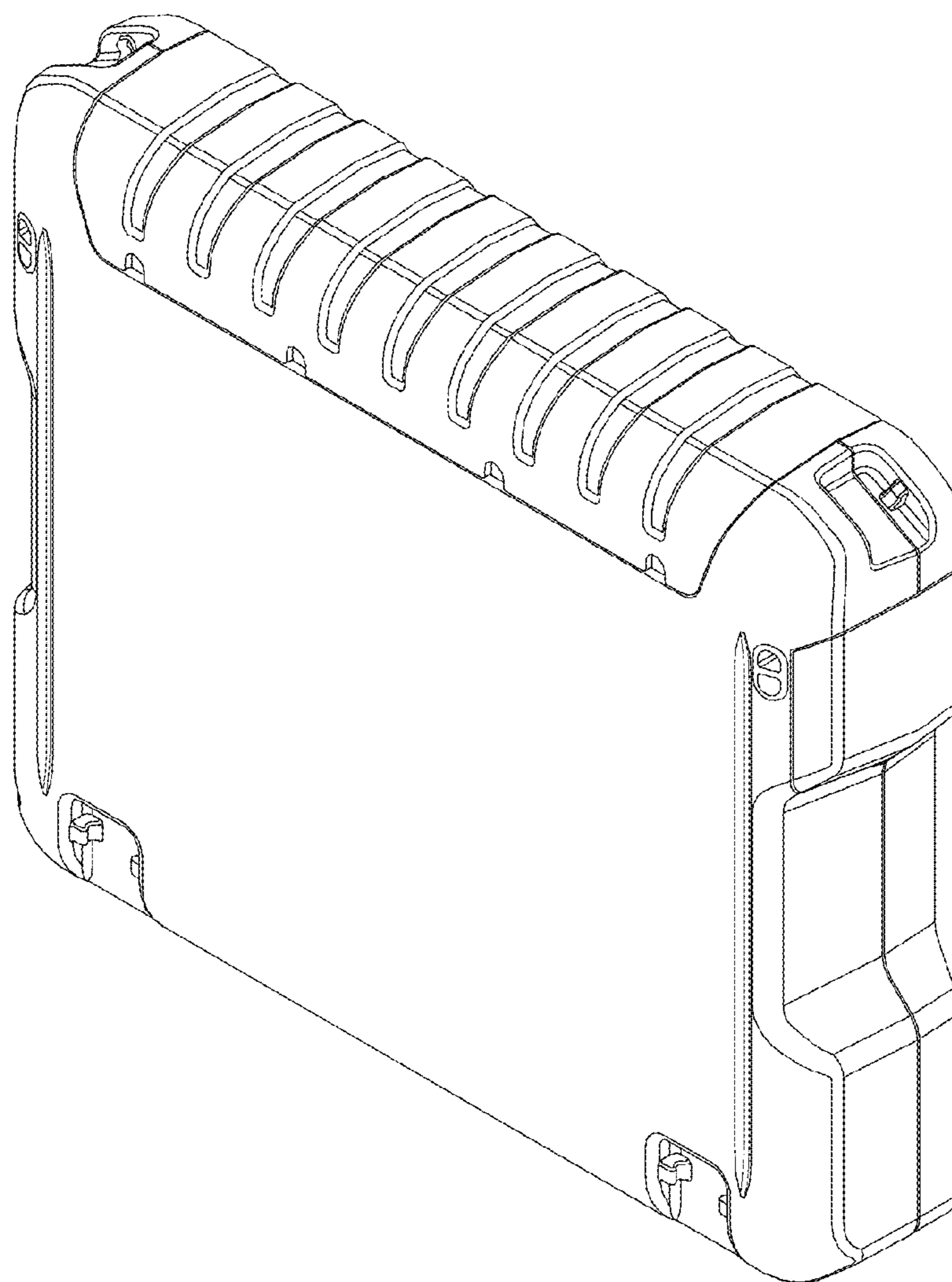


FIG. 10

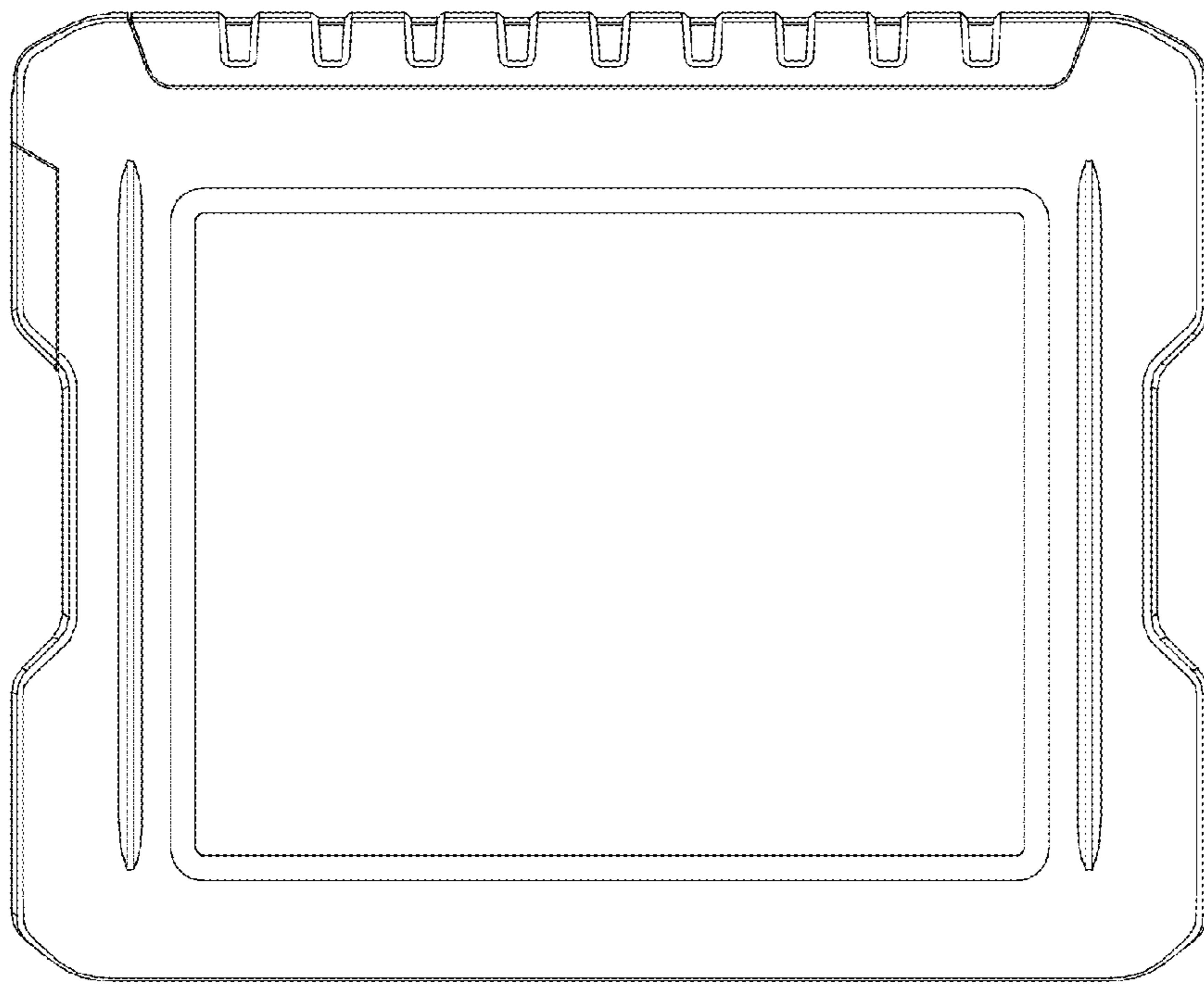


FIG. 11

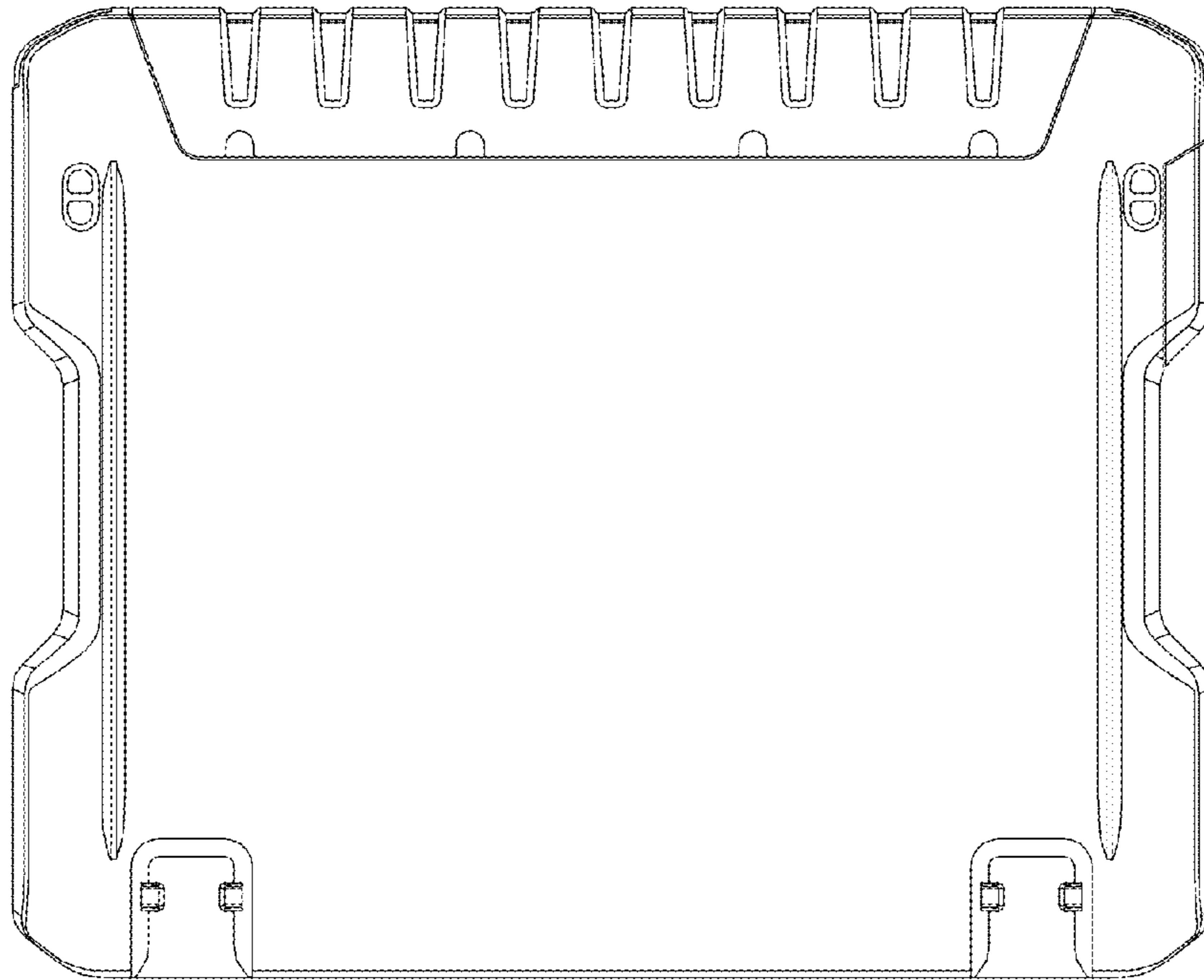


FIG. 12

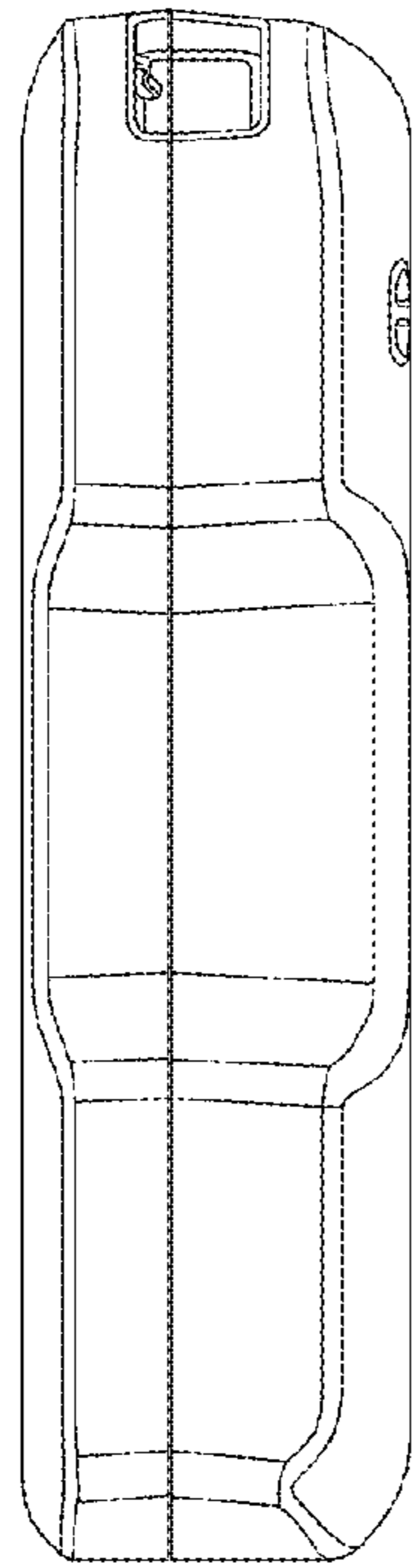


FIG. 13

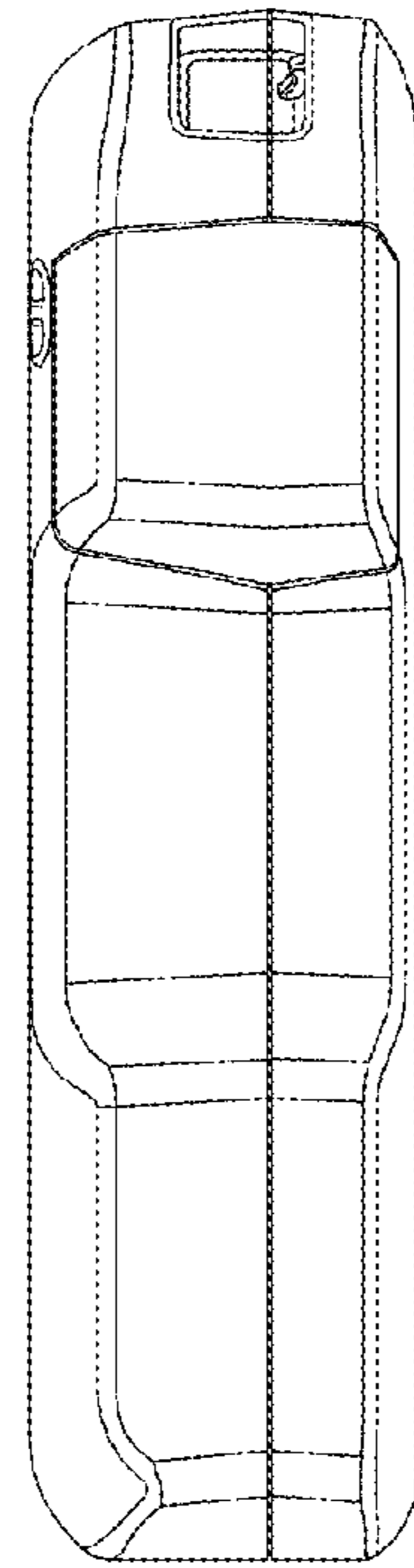


FIG. 14

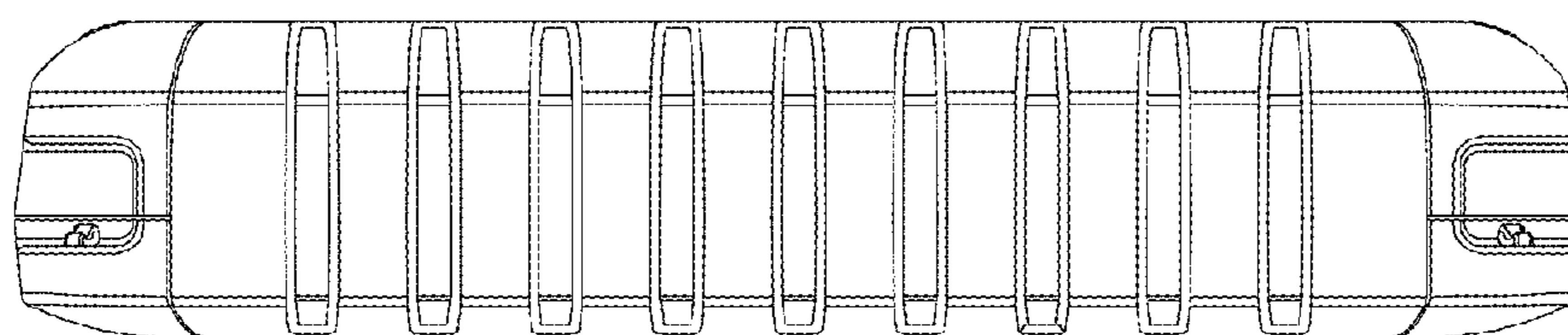


FIG. 15

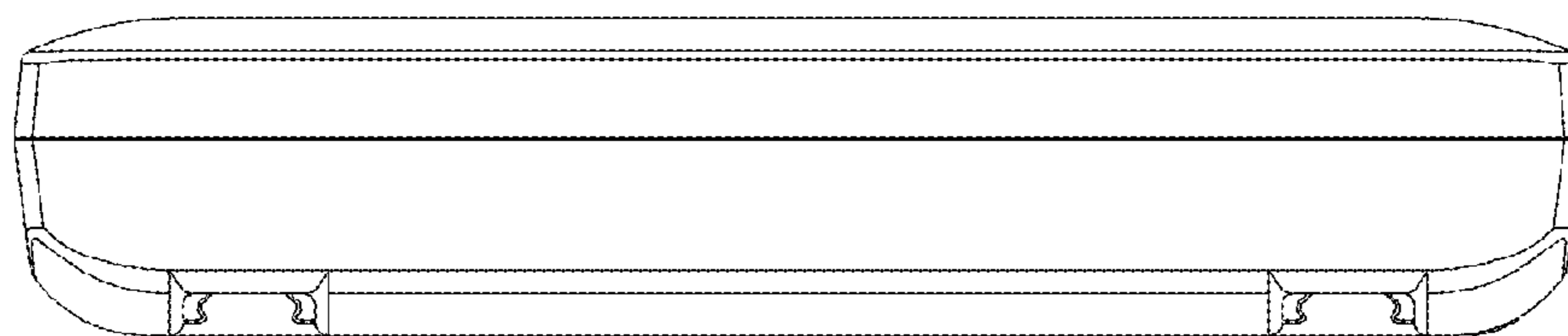


FIG. 16

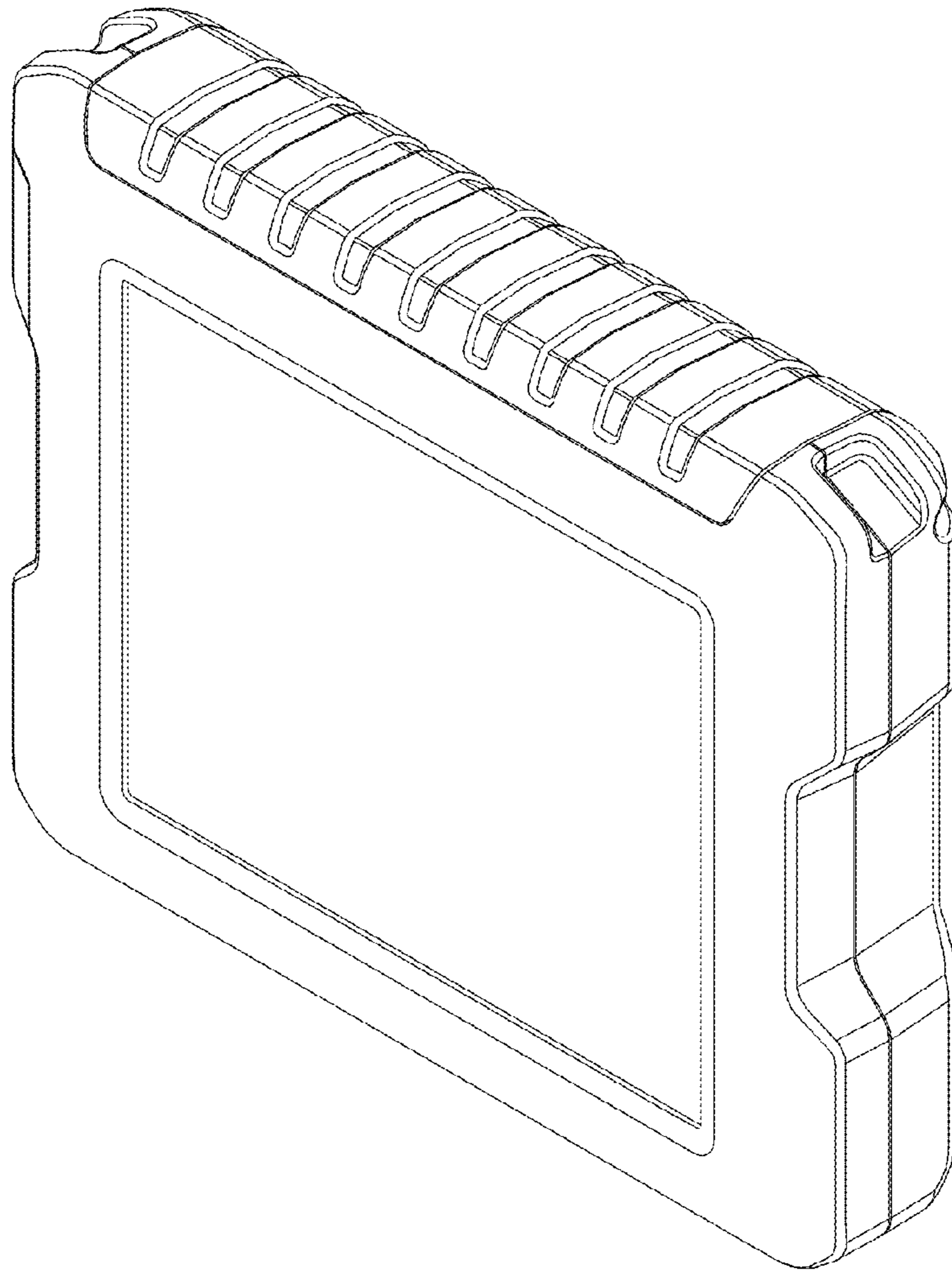


FIG. 17

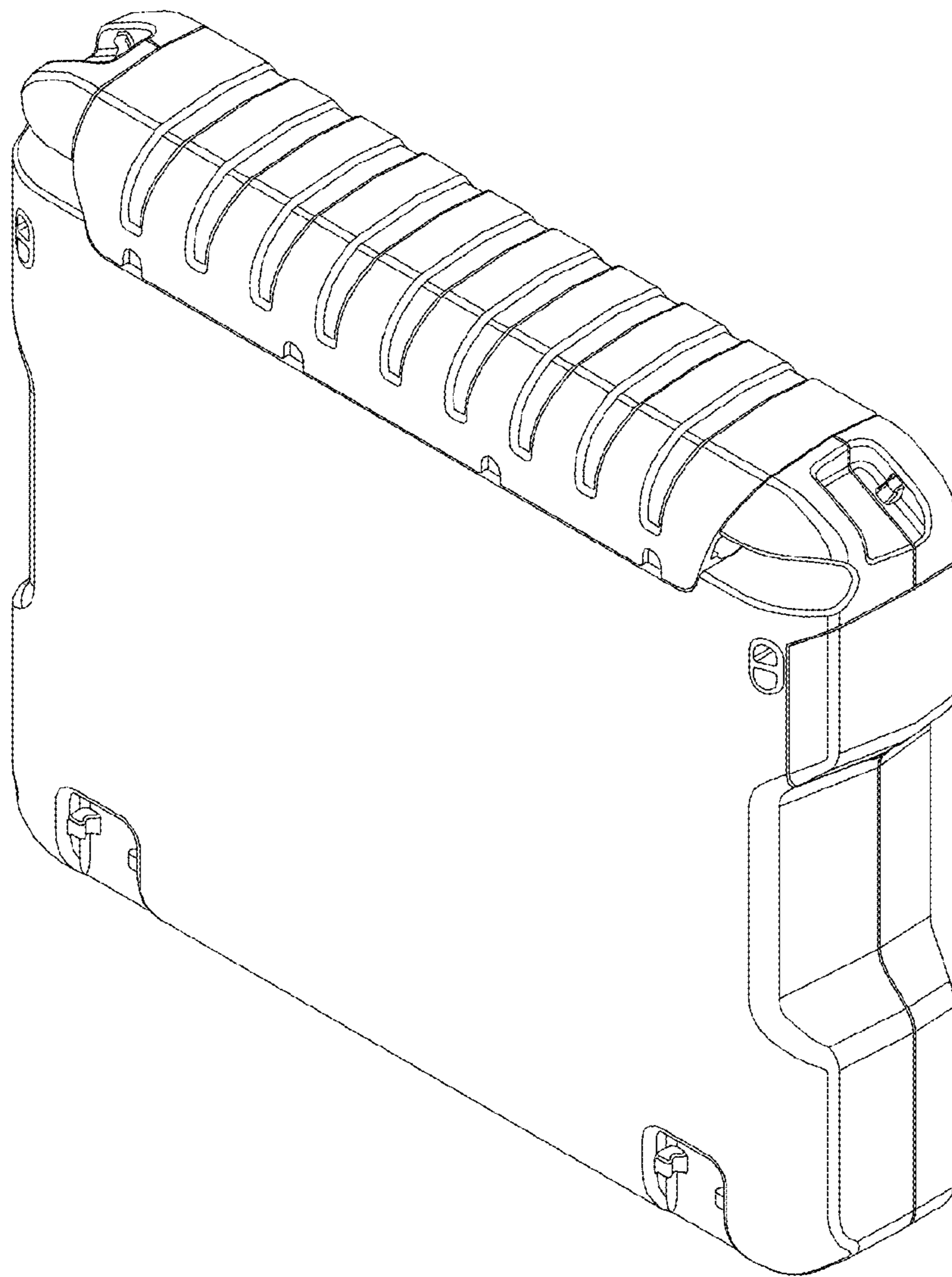


FIG. 18

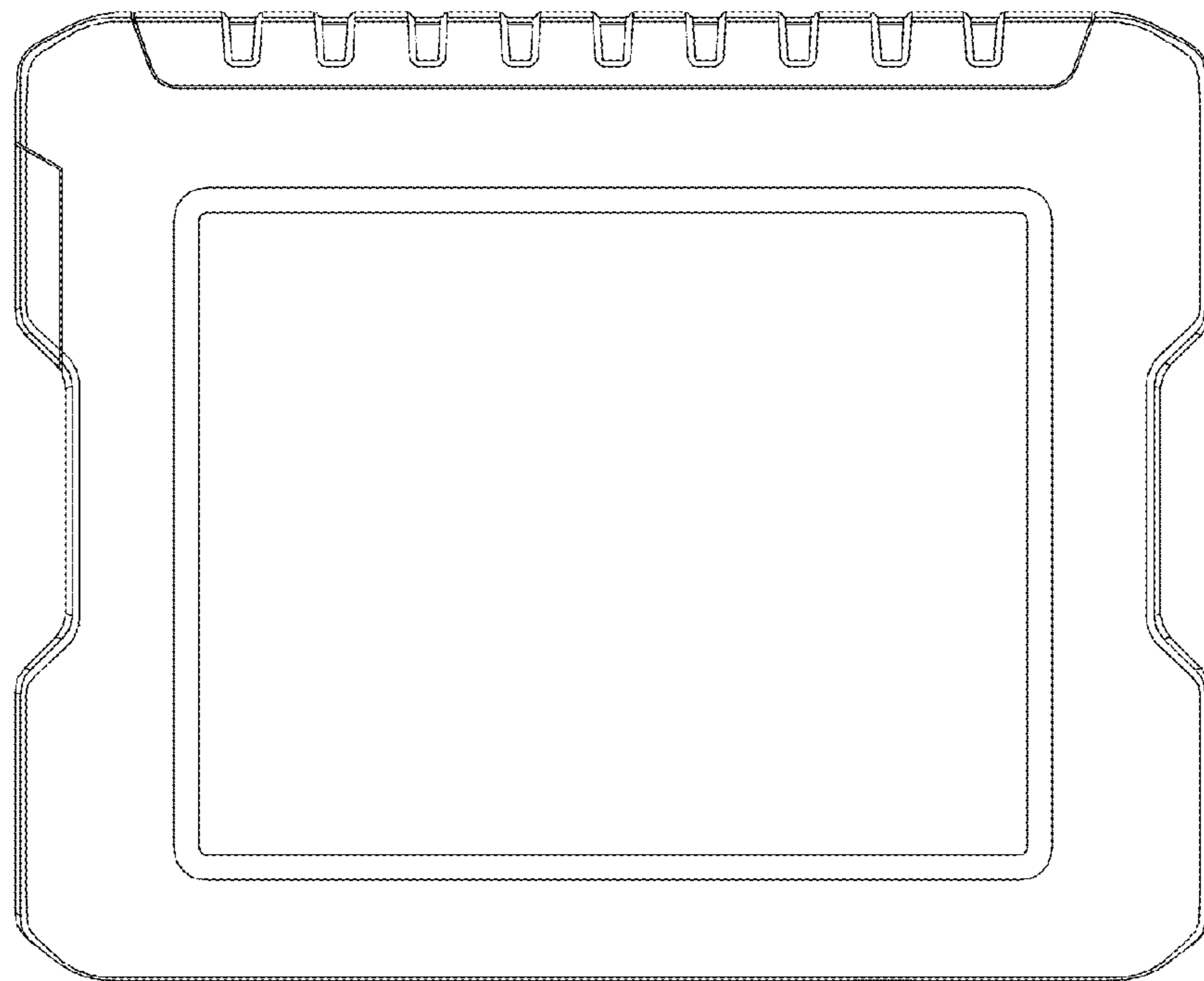


FIG. 19

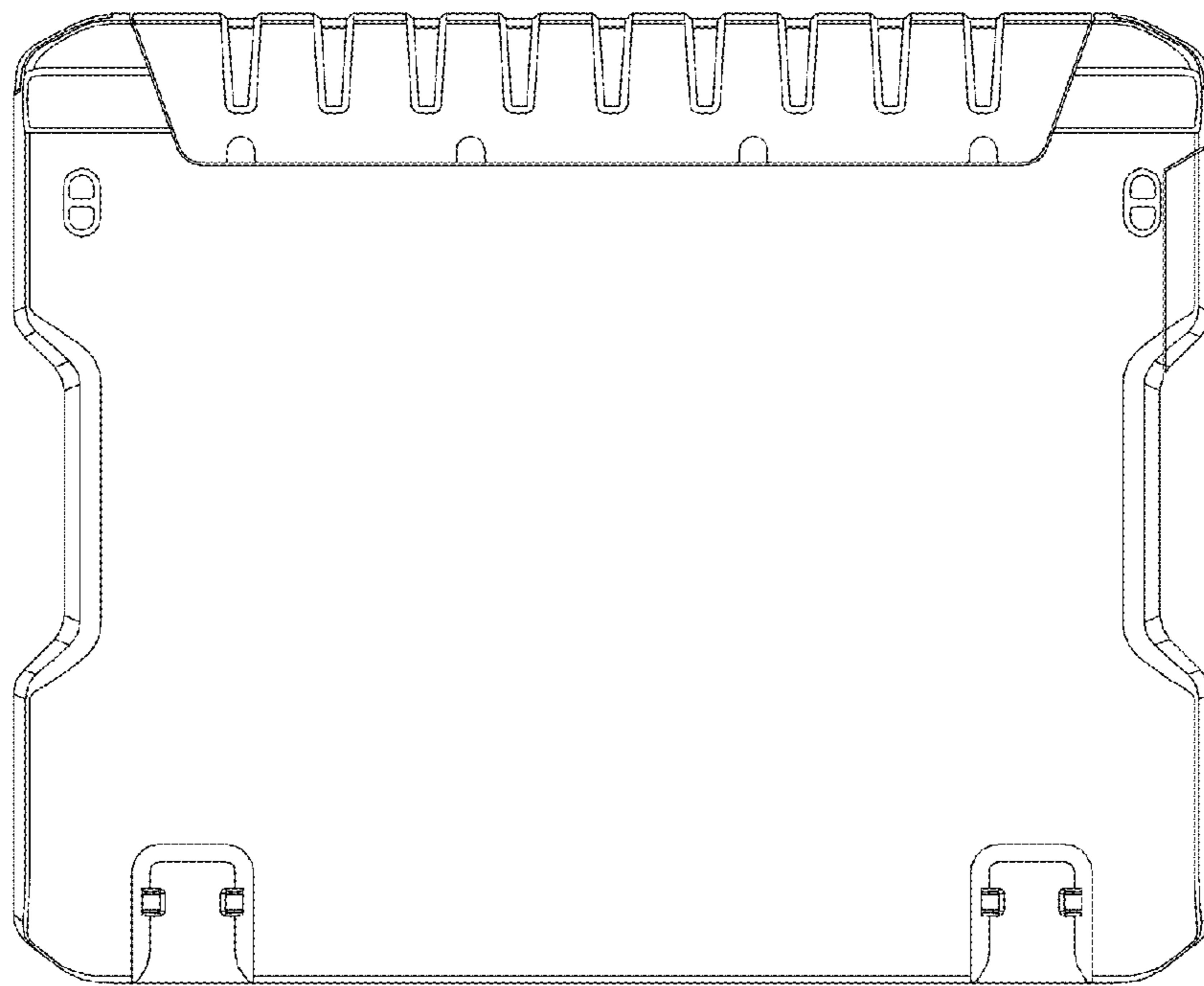


FIG. 20

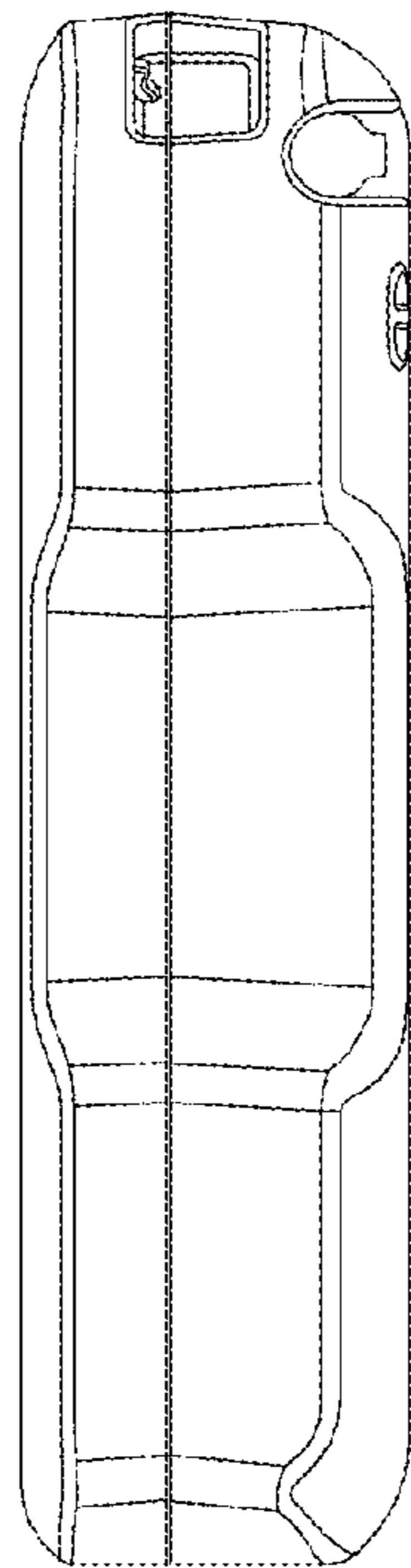


FIG. 21

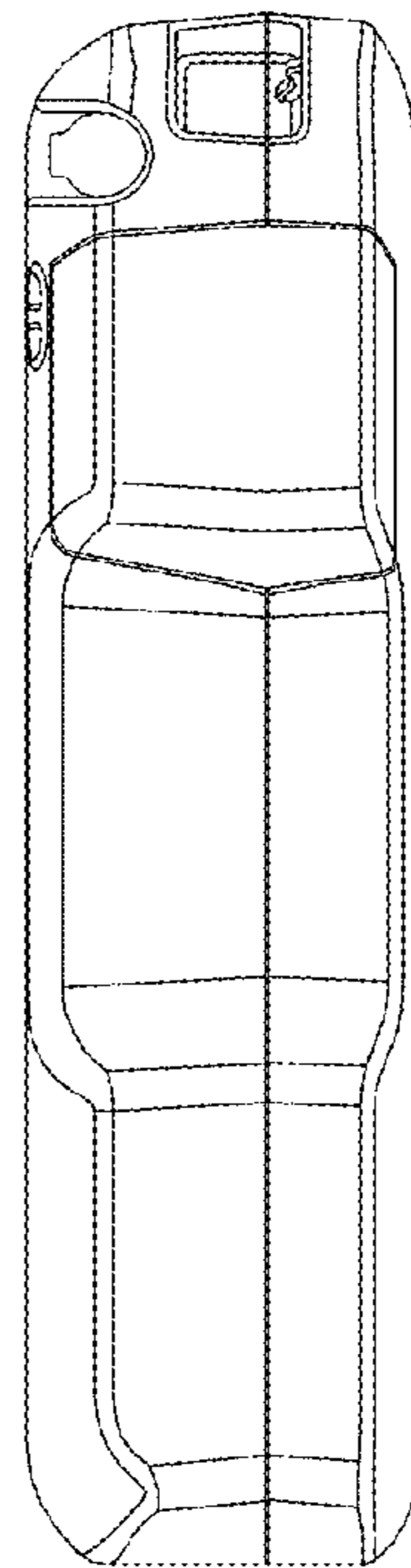


FIG. 22

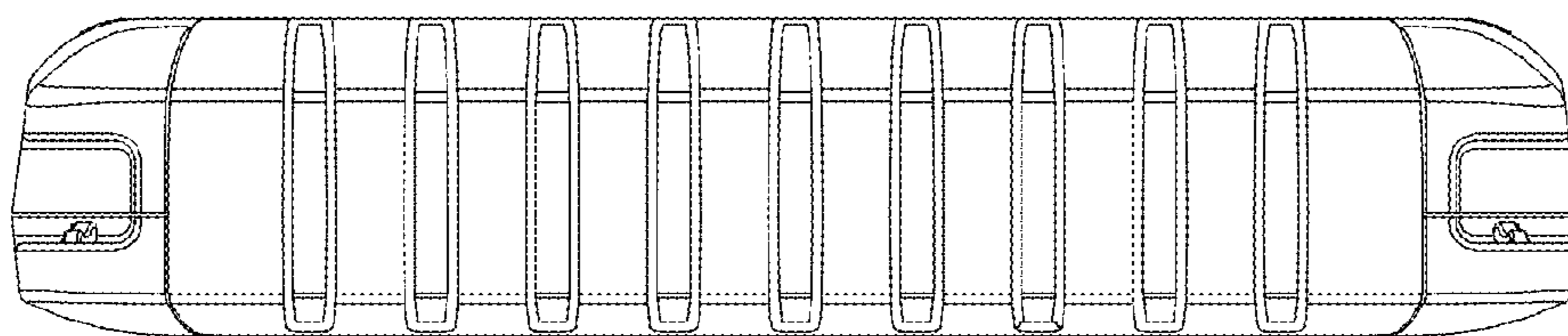


FIG. 23

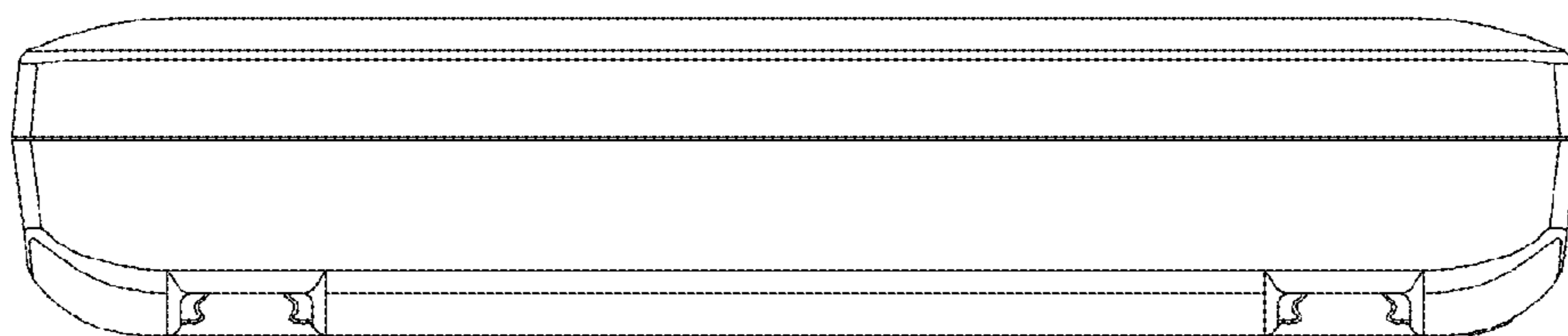


FIG. 24