



US00D734746S

(12) **United States Design Patent**
Vogel

(10) **Patent No.:** **US D734,746 S**
(45) **Date of Patent:** **** Jul. 21, 2015**

- (54) **PHONE KIT**
- (71) Applicant: **Nite Ize, Inc.**, Boulder, CO (US)
- (72) Inventor: **Frank Vogel**, Boulder, CO (US)
- (73) Assignee: **Nite Ize, Inc.**, Boulder, CO (US)
- (**) Term: **14 Years**
- (21) Appl. No.: **29/443,175**
- (22) Filed: **Jan. 14, 2013**

Related U.S. Application Data

- (63) Continuation-in-part of application No. 13/485,894, filed on May 31, 2012, now Pat. No. 8,602,376.
- (60) Provisional application No. 61/491,640, filed on May 31, 2011.
- (51) **LOC (10) Cl.** **14-03**
- (52) **U.S. Cl.**
USPC **D14/253**
- (58) **Field of Classification Search**
USPC D14/137, 140, 140.8, 142, 204, 209.1, D14/217, 221, 243-256, 434, 440, 444-447, D14/238.1; D8/400-404, 499; D2/861; D3/215, 218, 304, 269; D6/467, 300, D6/310, 553-574; D25/318; 292/342, 343; 248/188.2; 348/373, 376; D12/415, D12/411; D19/87, 90; 455/573, 575.1, 455/575.9

See application file for complete search history.

(56) **References Cited**

U.S. PATENT DOCUMENTS

687,183 A	11/1901	Kolander
2,332,504 A	10/1943	Brenner
3,695,651 A	10/1972	Stuck
4,016,583 A	4/1977	Yeates
4,435,905 A	3/1984	Bryan

4,492,036 A	1/1985	Beckwith, Jr.	
4,719,549 A	1/1988	Apel	
D361,671 S	8/1995	Sharpe	
D374,596 S	10/1996	Delchev	
5,575,597 A	11/1996	Bailey et al.	
5,681,981 A	10/1997	McMurtry	
D390,709 S	2/1998	Moore	
5,769,369 A	6/1998	Meinel	
D430,142 S *	8/2000	Kuo et al.	D14/216
6,209,830 B1	4/2001	Brotz	
6,350,076 B1	2/2002	Wagner et al.	
6,352,228 B1	3/2002	Buerklin	
D467,238 S *	12/2002	Hlas et al.	D14/216
6,575,443 B2 *	6/2003	Kick	269/75
6,585,201 B1	7/2003	Reed	
6,729,778 B1	5/2004	Wu et al.	
6,836,323 B2	12/2004	Schmadel	

(Continued)

OTHER PUBLICATIONS

U.S. Appl. No. 13/485,894 Non Final Office Action dated May 9, 2013, 8 pages.

(Continued)

Primary Examiner — Susan Bennett Hattan

Assistant Examiner — Janice Hallmark

(74) *Attorney, Agent, or Firm* — Squire Patton Boggs (US) LLP

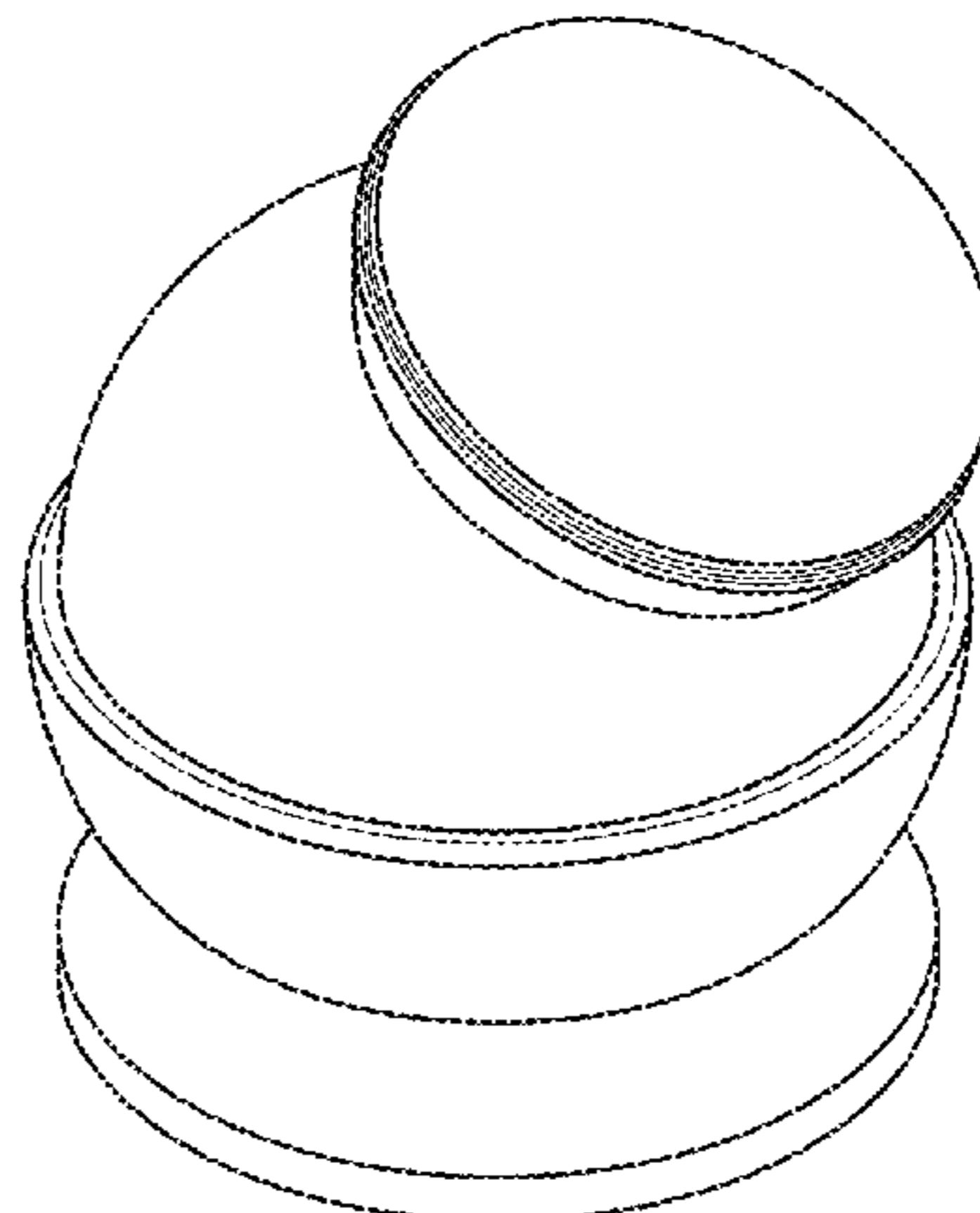
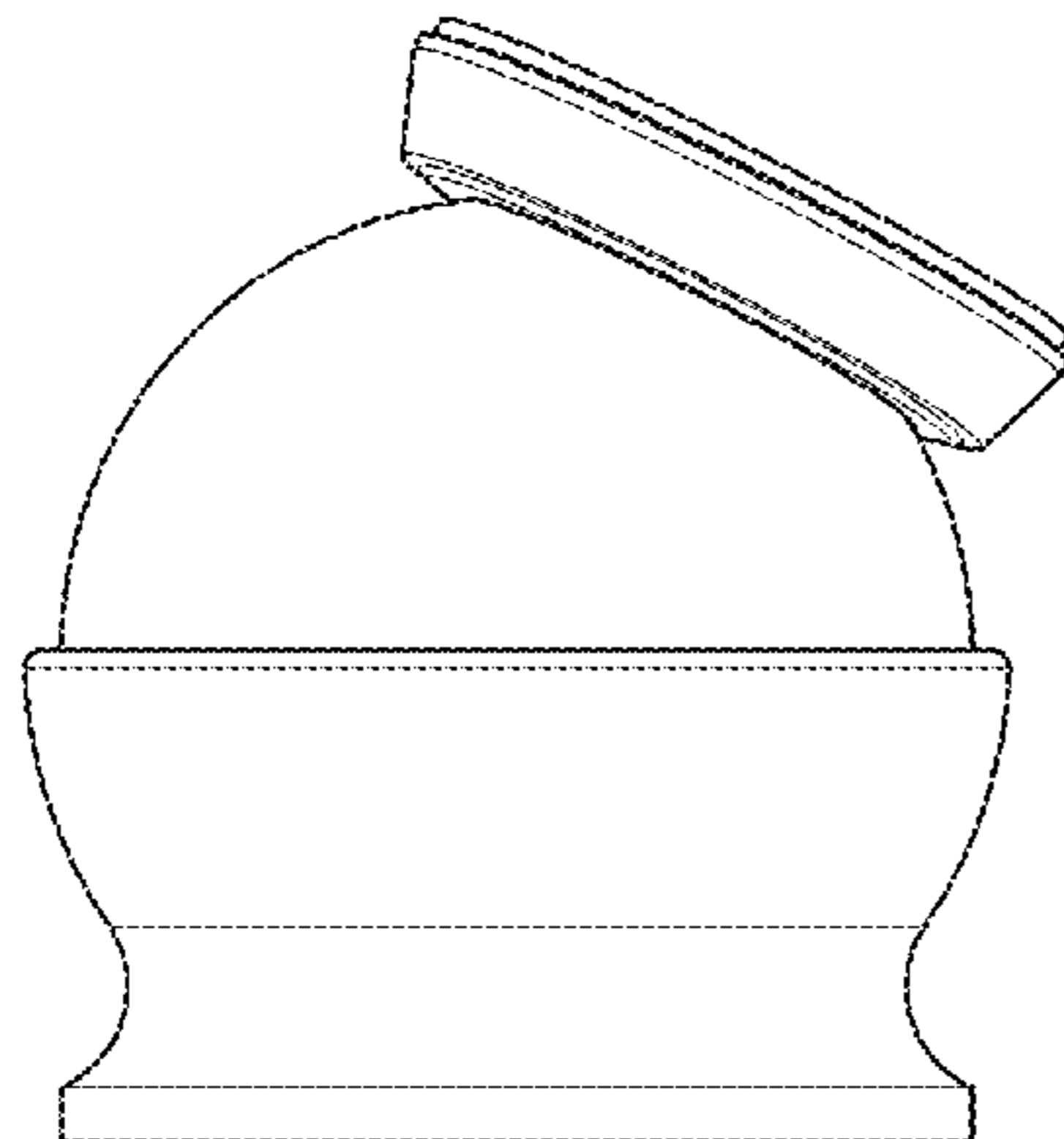
(57) **CLAIM**

The ornamental design for a phone kit, as shown and described.

DESCRIPTION

FIG. 1 is a front elevation view of a phone kit (the rear elevation view is a mirror image); FIG. 2 is a bottom plan view thereof; FIG. 3 is a top plan view thereof; and, FIG. 4 is a front perspective view thereof. The broken lines in the drawings depict environmental subject matter only and form no part of the claimed design.

1 Claim, 2 Drawing Sheets



(56)

References Cited

U.S. PATENT DOCUMENTS

D531,180 S 10/2006 Goto
 7,163,181 B2 1/2007 Omps
 7,188,428 B2 3/2007 Blondeau
 7,246,781 B2 7/2007 Nam
 D549,091 S 8/2007 McIntyre et al.
 D554,108 S * 10/2007 Solland D14/217
 D554,974 S 11/2007 Huang
 7,336,258 B1 2/2008 Goetsch et al.
 D570,836 S * 6/2008 Chen D14/253
 D578,868 S 10/2008 Ramakers et al.
 7,475,858 B2 1/2009 Kalis et al.
 D588,602 S 3/2009 Chao et al.
 D590,696 S 4/2009 Carnevali
 D590,839 S * 4/2009 Lewis D14/496
 7,621,492 B2 11/2009 Omps
 D607,844 S 1/2010 Feldstein et al.
 7,686,287 B2 3/2010 Dixon et al.
 D613,291 S 4/2010 Carver
 D625,262 S 10/2010 Lee et al.
 D626,939 S * 11/2010 Chen D14/216
 D628,578 S 12/2010 Chou et al.
 D629,405 S 12/2010 Crysell
 7,886,903 B1 2/2011 Wurzelbacher, Jr. et al.
 D633,902 S 3/2011 Tokuno
 D639,273 S * 6/2011 Chow D14/209.1
 D640,248 S * 6/2011 Baumann et al. D14/253
 D644,647 S * 9/2011 Sykes D14/447
 D647,502 S * 10/2011 Holzer D14/171
 D654,348 S 2/2012 Musselman
 D657,783 S 4/2012 Mo
 D657,795 S 4/2012 Smith et al.
 D660,691 S 5/2012 Yamazaki
 8,176,927 B2 5/2012 Wu
 D666,205 S 8/2012 Li et al.
 8,267,361 B1 9/2012 Dordick
 8,295,770 B2 10/2012 Seil et al.
 D670,704 S 11/2012 Barker
 D671,546 S 11/2012 Eberstein et al.
 D673,528 S * 1/2013 Trotsky D14/217
 D673,573 S 1/2013 Skene et al.
 8,366,064 B2 2/2013 Chen et al.
 D678,296 S 3/2013 Lakraa et al.
 D681,420 S 5/2013 Ilevov et al.
 D682,281 S 5/2013 Barnard et al.

D683,383 S * 5/2013 Skeoch et al. D16/242
 D684,158 S 6/2013 Derry et al.
 D688,252 S 8/2013 Paul
 D692,898 S * 11/2013 Luijben D14/447
 D692,900 S 11/2013 Kovacs
 D693,352 S 11/2013 Gelsomini et al.
 D694,249 S 11/2013 Akana et al.
 D696,673 S * 12/2013 Vogel D14/447
 D696,674 S * 12/2013 Vogel D14/447
 8,602,376 B2 * 12/2013 Vogel et al. 248/371
 D697,027 S * 1/2014 Ho D13/108
 8,632,064 B2 1/2014 Salisbury, Jr. et al.
 D698,568 S * 2/2014 Chen D6/407
 8,672,374 B1 * 3/2014 Webber 294/25
 D701,831 S * 4/2014 Park et al. D13/108
 D703,657 S * 4/2014 Carnevali D14/253
 8,706,175 B2 * 4/2014 Cho 455/575.8
 8,800,942 B2 8/2014 Yu
 2002/0096956 A1 7/2002 Erten
 2004/0188576 A1 9/2004 Carnevali
 2005/0007225 A1 1/2005 Kruse et al.
 2005/0045779 A1 3/2005 Nan
 2006/0000957 A1 1/2006 Carnevali
 2006/0171794 A1 8/2006 Ordonio et al.
 2007/0090241 A1 4/2007 Risse
 2008/0017764 A1 1/2008 Nan
 2008/0310932 A1 12/2008 McIntyre et al.
 2009/0050758 A1 2/2009 Carnevali
 2009/0238637 A1 9/2009 Spratte et al.
 2012/0075799 A1 3/2012 Pollex
 2012/0118770 A1 5/2012 Valls et al.
 2012/0175474 A1 7/2012 Barnard et al.
 2012/0199620 A1 * 8/2012 Gold et al. 224/413
 2013/0140837 A1 6/2013 Carroll
 2014/0091183 A1 * 4/2014 Vogel et al. 248/121

OTHER PUBLICATIONS

U.S. Appl. No. 14/098,043 Non-Final Office Action dated Mar. 13, 2014, 6 pages.
 U.S. Appl. No. 29/443,172 Ex Parte Quayle Office Action dated Jun. 13, 2013, 3 pages.
 U.S. Appl. No. 29/443,173 Ex Parte Quayle Office Action dated Oct. 9, 2014, 3 pages.
 U.S. Appl. No. 29/443,177 Ex Parte Quayle Office Action dated Jun. 13, 2013, 3 pages.

* cited by examiner

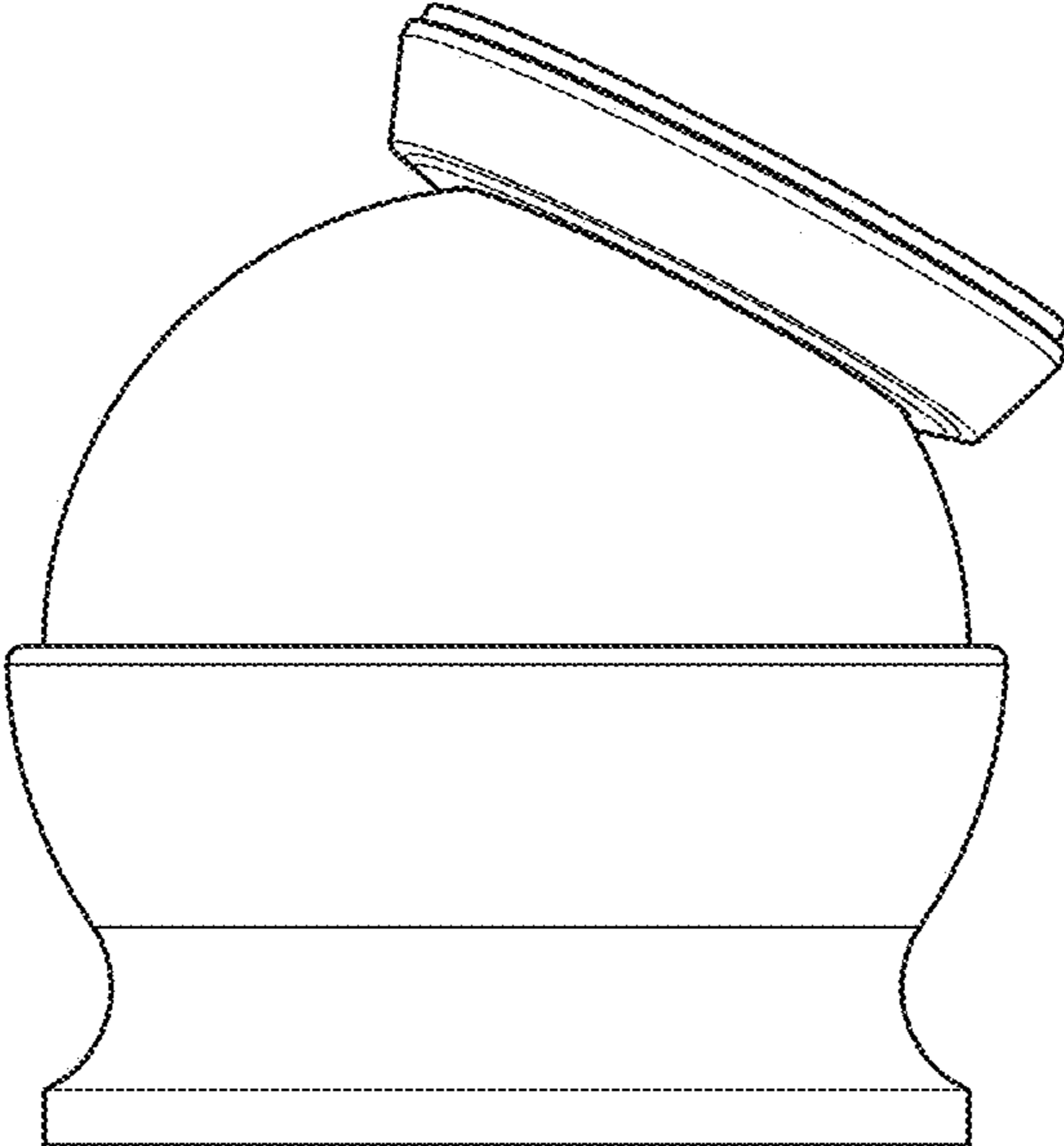


FIG. 1

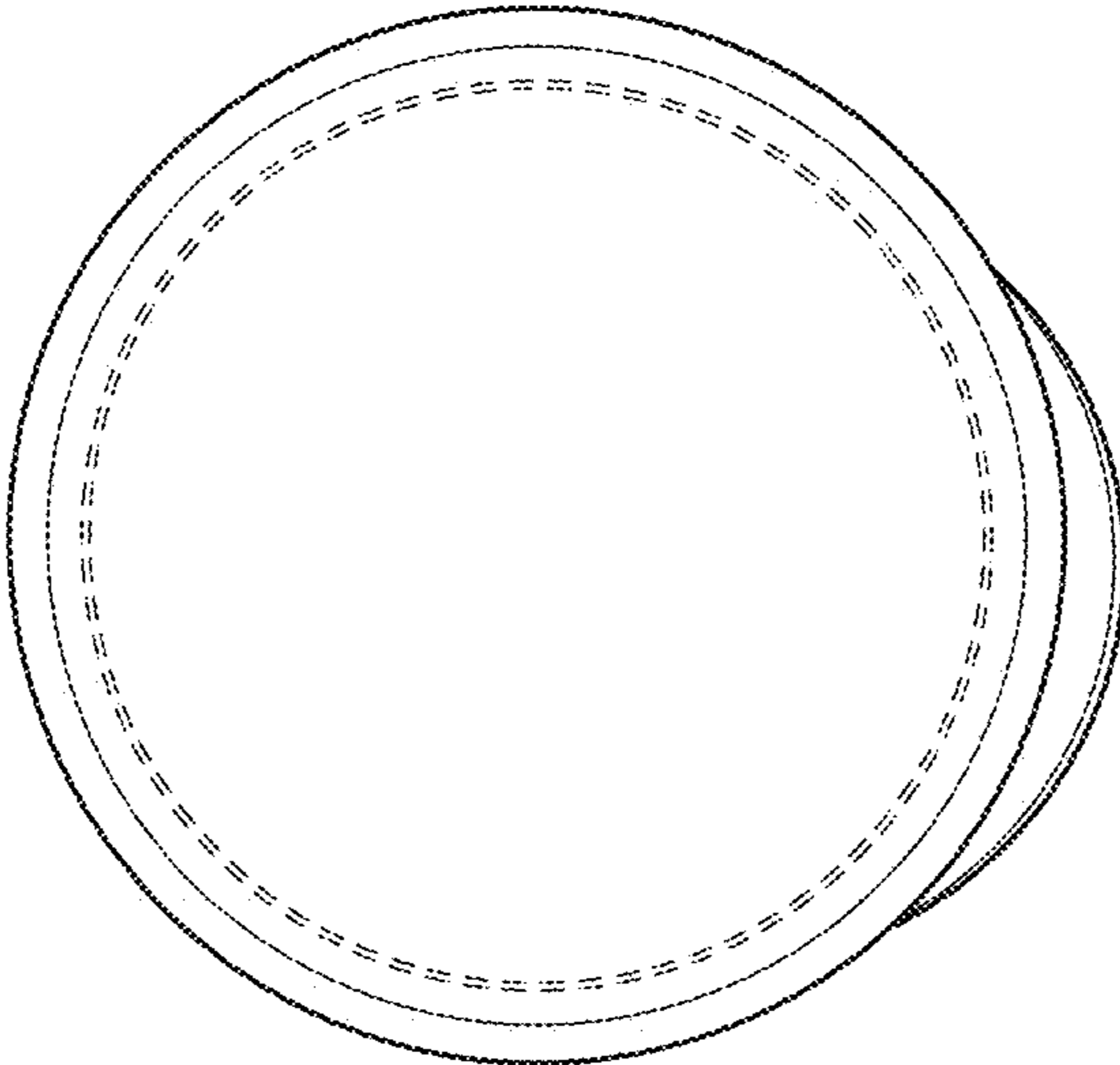


FIG. 2

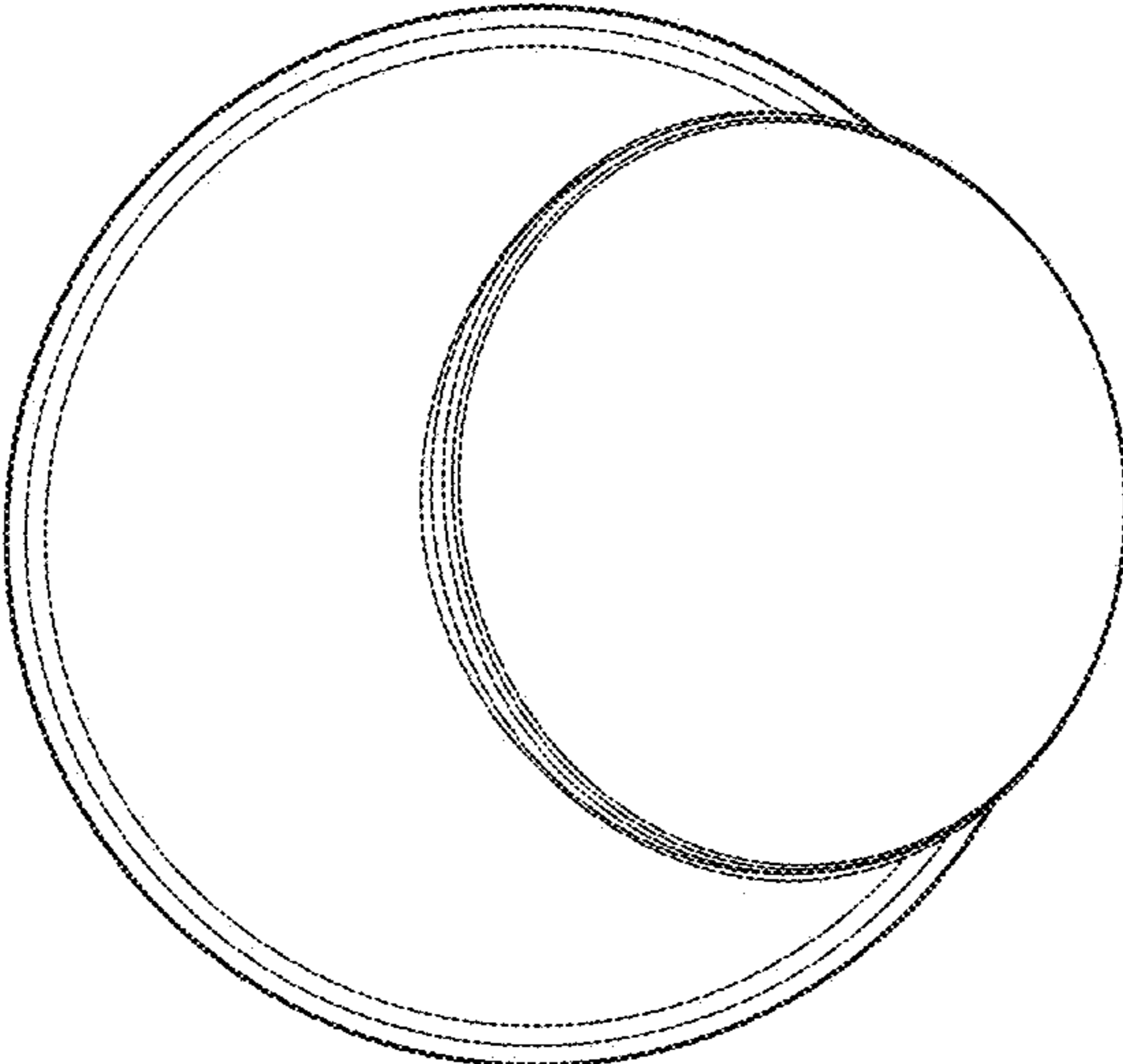


FIG. 3

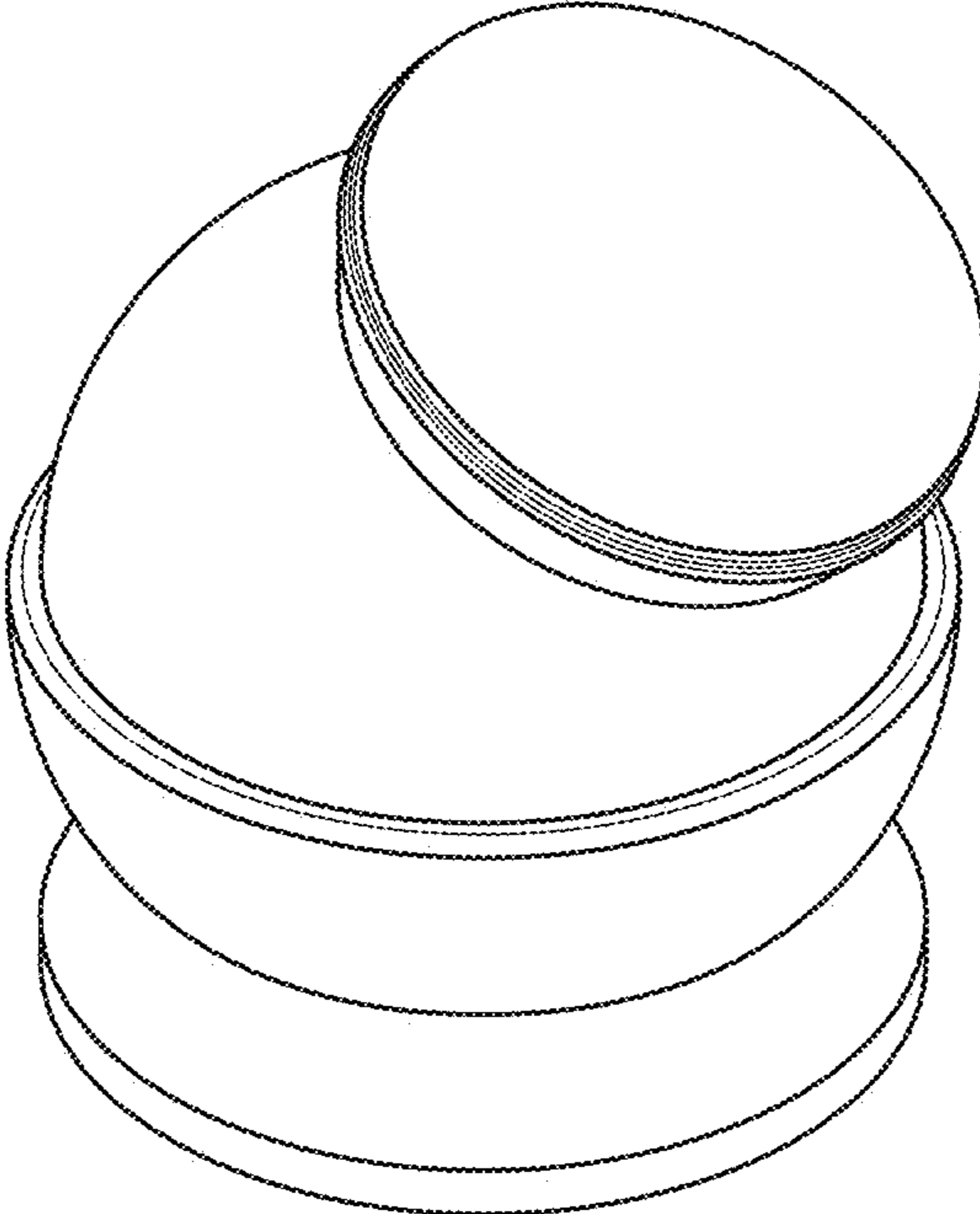


FIG. 4