

US00D734745S

(12) **United States Design Patent**
Tatkon-Coker et al.

(10) **Patent No.:** **US D734,745 S**
(45) **Date of Patent:** **** Jul. 21, 2015**

(54) **HEADPHONE MICROPHONE BOOM**

D533,166 S * 12/2006 Marquez D14/225
D617,781 S * 6/2010 Kallas et al. D14/226
D657,218 S * 4/2012 Wilder D8/51

(71) Applicant: **Apple Inc.**, Cupertino, CA (US)

* cited by examiner

(72) Inventors: **Jonathan Louis Tatkon-Coker**, Santa Monica, CA (US); **Eric Treski**, Culver City, CA (US)

Primary Examiner — Susan Bennett Hattan

Assistant Examiner — Leanne Was

(73) Assignee: **Apple Inc.**, Cupertino, CA (US)

(74) *Attorney, Agent, or Firm* — Sterne, Kessler, Goldstein & Fox P.L.L.C.

(**) Term: **14 Years**

(21) Appl. No.: **29/493,420**

(57) **CLAIM**

The ornamental design for a headphone microphone boom, as shown and described.

(22) Filed: **Jun. 9, 2014**

(51) **LOC (10) Cl.** **14-01**

(52) **U.S. Cl.**
USPC **D14/225**

DESCRIPTION

(58) **Field of Classification Search**
USPC D14/204–206, 209.1, 217, 225–229,
D14/299; 181/20, 151; 379/430, 431, 454;
381/355, 361, 362, 363, 367; 455/95,
455/128

FIG. 1 is a top perspective view of a headphone microphone boom in accordance with the present invention;
FIG. 2 is a right side view thereof;
FIG. 3 is a left side view thereof;
FIG. 4 is a front view thereof;
FIG. 5 is a rear view thereof;
FIG. 6 is a top view thereof; and,
FIG. 7 is a bottom view thereof.

See application file for complete search history.

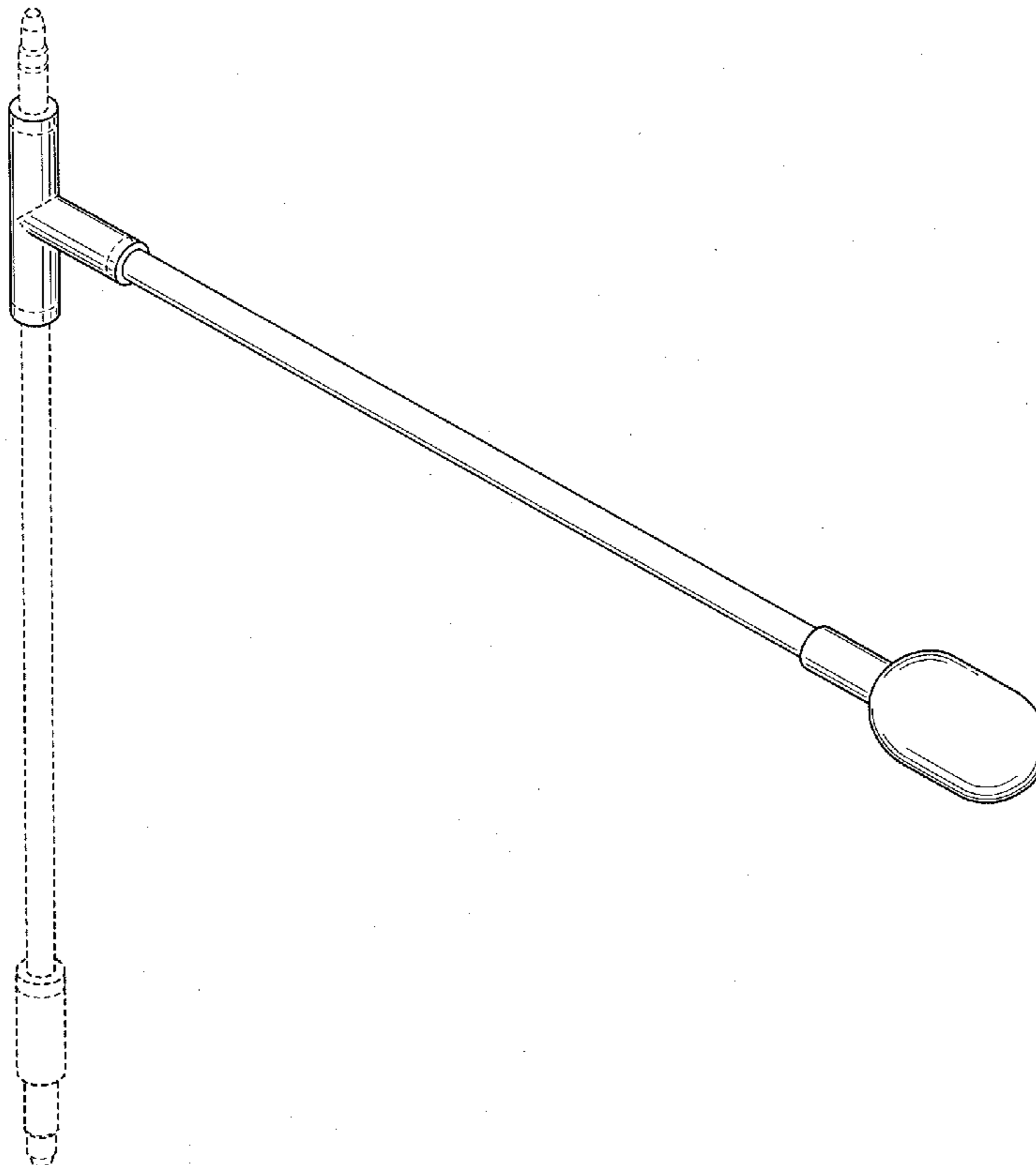
The broken lines in the figures show portions of the headphone microphone boom or environment that form no part of the claimed design.

(56) **References Cited**

U.S. PATENT DOCUMENTS

6,625,293 B1 * 9/2003 Nageno et al. 381/362
D508,691 S * 8/2005 Meyer et al. D14/228

1 Claim, 5 Drawing Sheets



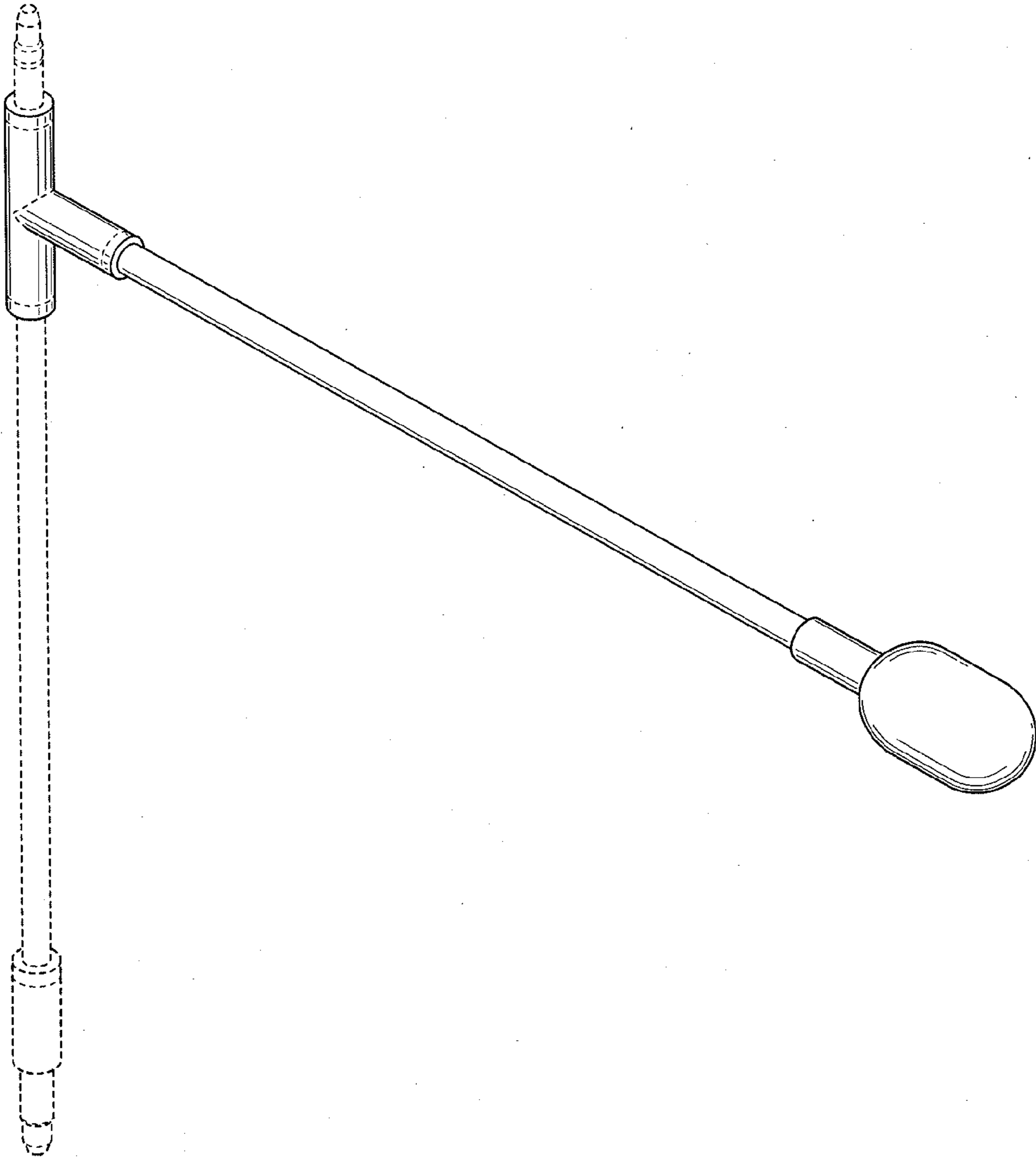


FIG. 1

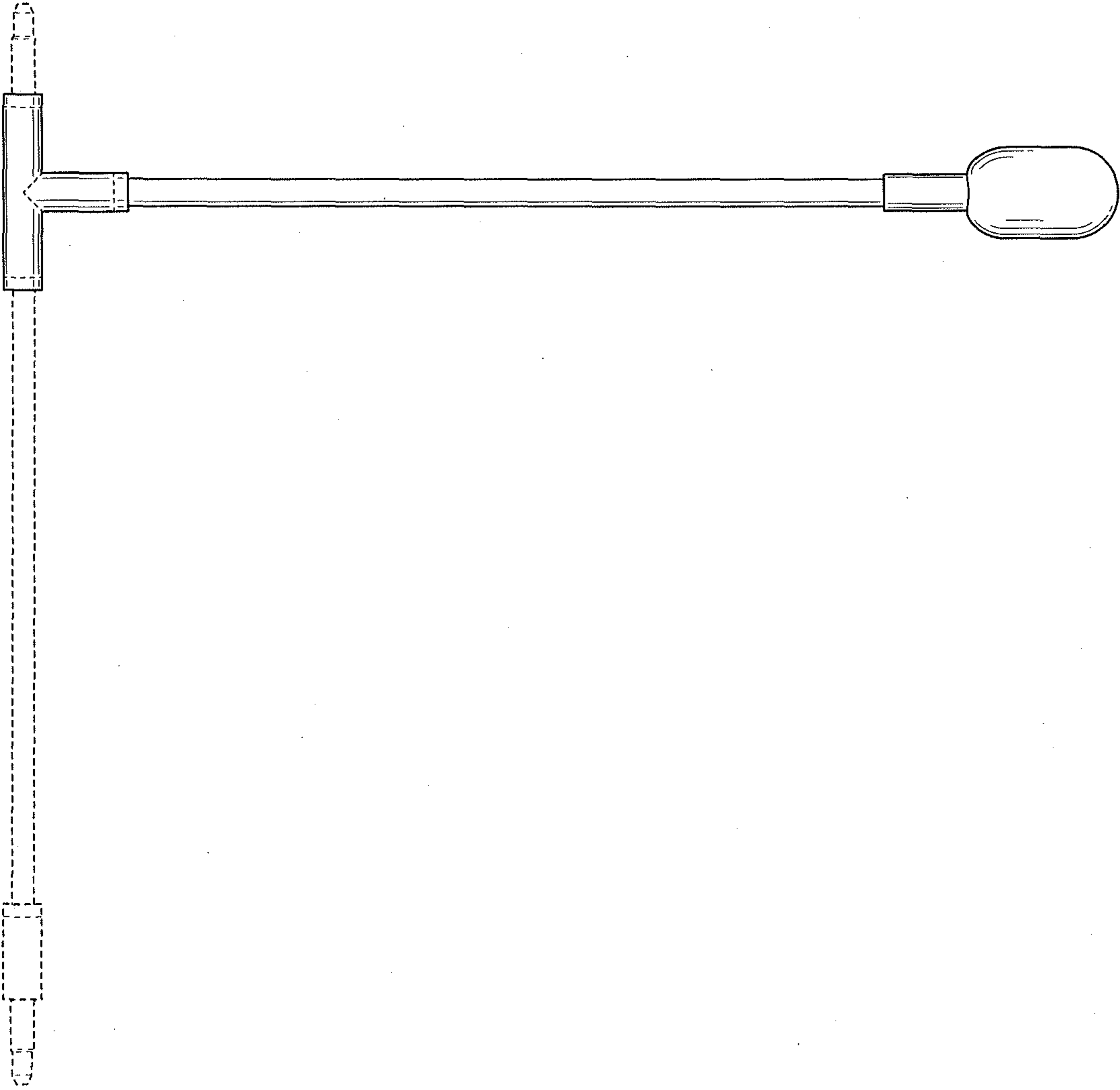


FIG. 2

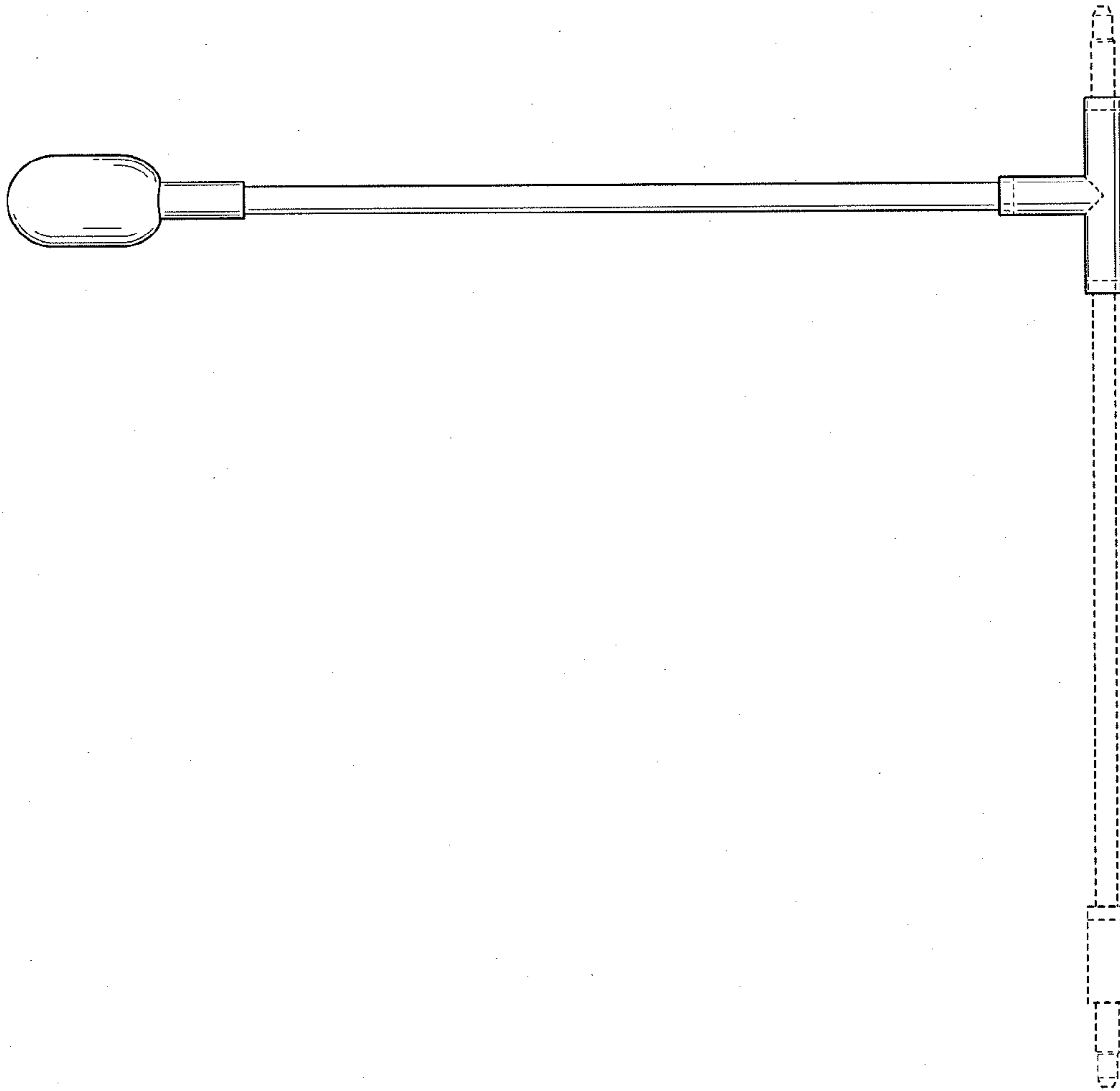


FIG. 3

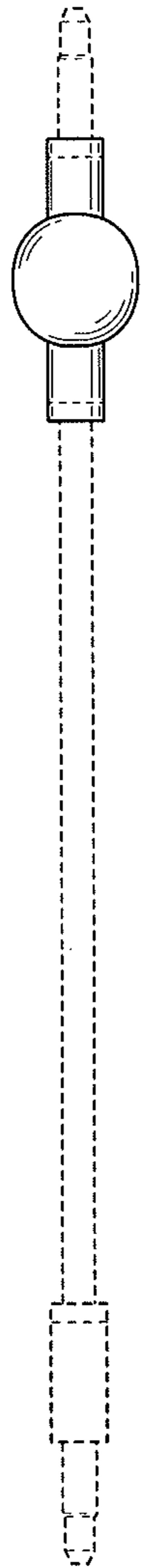


FIG. 4

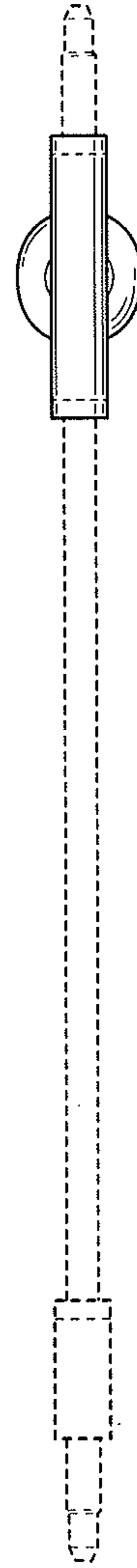


FIG. 5

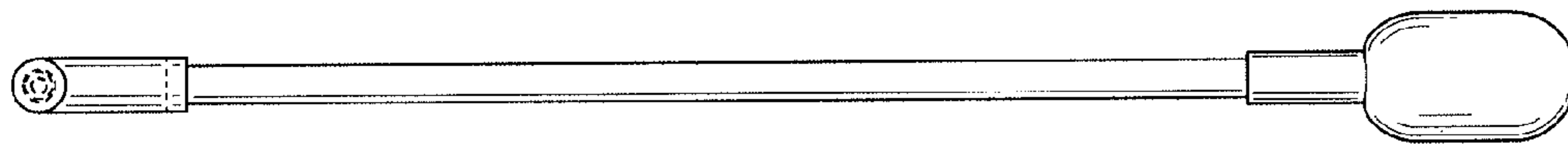


FIG. 6

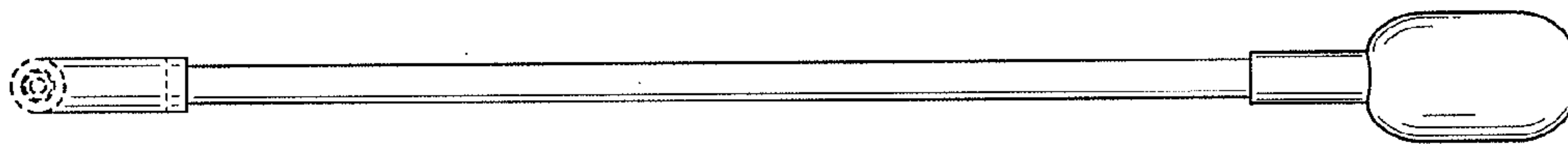


FIG. 7