



US00D734744S

(12) **United States Design Patent**  
**Brunner et al.**

(10) **Patent No.:** **US D734,744 S**

(45) **Date of Patent:** **\*\* \*Jul. 21, 2015**

(54) **AUDIO LISTENING SYSTEM**

(71) Applicant: **Apple Inc.**, Cupertino, CA (US)

(72) Inventors: **Robert Brunner**, San Francisco, CA (US); **Christopher Kuh**, San Francisco, CA (US); **Achille Biteau**, San Francisco, CA (US)

(73) Assignee: **Apple Inc.**, Cupertino, CA (US)

(\*) Notice: This patent is subject to a terminal disclaimer.

(\*\*) Term: **14 Years**

(21) Appl. No.: **29/490,934**

(22) Filed: **May 15, 2014**

(51) **LOC (10) Cl.** ..... **14-01**

(52) **U.S. Cl.**  
USPC ..... **D14/223**

(58) **Field of Classification Search**  
USPC ..... D14/223; 181/129, 130, 135; 379/430, 379/431; 381/380, 381; 455/90.3, 575.1  
CPC ..... H04R 1/10  
See application file for complete search history.

(56) **References Cited**

**U.S. PATENT DOCUMENTS**

5,210,792	A *	5/1993	Kajihara	379/430
D421,755	S *	3/2000	Pitel	D14/240
6,101,260	A *	8/2000	Jensen et al.	381/381
D443,261	S *	6/2001	Yuyama	D14/223
D460,749	S *	7/2002	Liu	D14/206
6,427,018	B1 *	7/2002	Keliiliki	381/381
D471,889	S *	3/2003	Rath et al.	D14/205
6,771,790	B2 *	8/2004	Liu	381/385
D501,196	S *	1/2005	Dyer et al.	D14/205
6,868,284	B2 *	3/2005	Bae	455/575.2
D510,085	S *	9/2005	Suzuki	D14/223

D510,575	S *	10/2005	Leong	D14/223
D528,531	S *	9/2006	Rose et al.	D14/138 R
D542,267	S *	5/2007	Cha et al.	D14/206
D543,968	S *	6/2007	Wong	D14/205
7,231,056	B2 *	6/2007	Chen	381/381
D556,735	S *	12/2007	Yeo	D14/206
D575,772	S *	8/2008	Schultz et al.	D14/223
D593,075	S *	5/2009	Williams et al.	D14/223
D597,084	S *	7/2009	Gondo	D14/223
D601,126	S *	9/2009	Christopher et al.	D14/206

(Continued)

*Primary Examiner* — Paula Greene

(74) *Attorney, Agent, or Firm* — Sterne, Kessler, Goldstein & Fox P.L.L.C.

(57) **CLAIM**

The ornamental design for an audio listening system, as shown and described.

**DESCRIPTION**

FIG. 1 is a perspective view of an earpiece of an audio listening system in accordance with one embodiment of with the present invention;

FIG. 2 is a front view of the embodiment of an earpiece of an audio listening system depicted in FIG. 1;

FIG. 3 is rear view of the embodiment of an earpiece of an audio listening system depicted in FIG. 1

FIG. 4 is a right side view of the embodiment of an earpiece of an audio listening system depicted in FIG. 1;

FIG. 5 is a left side view of the embodiment of an earpiece of an audio listening system depicted in FIG. 1;

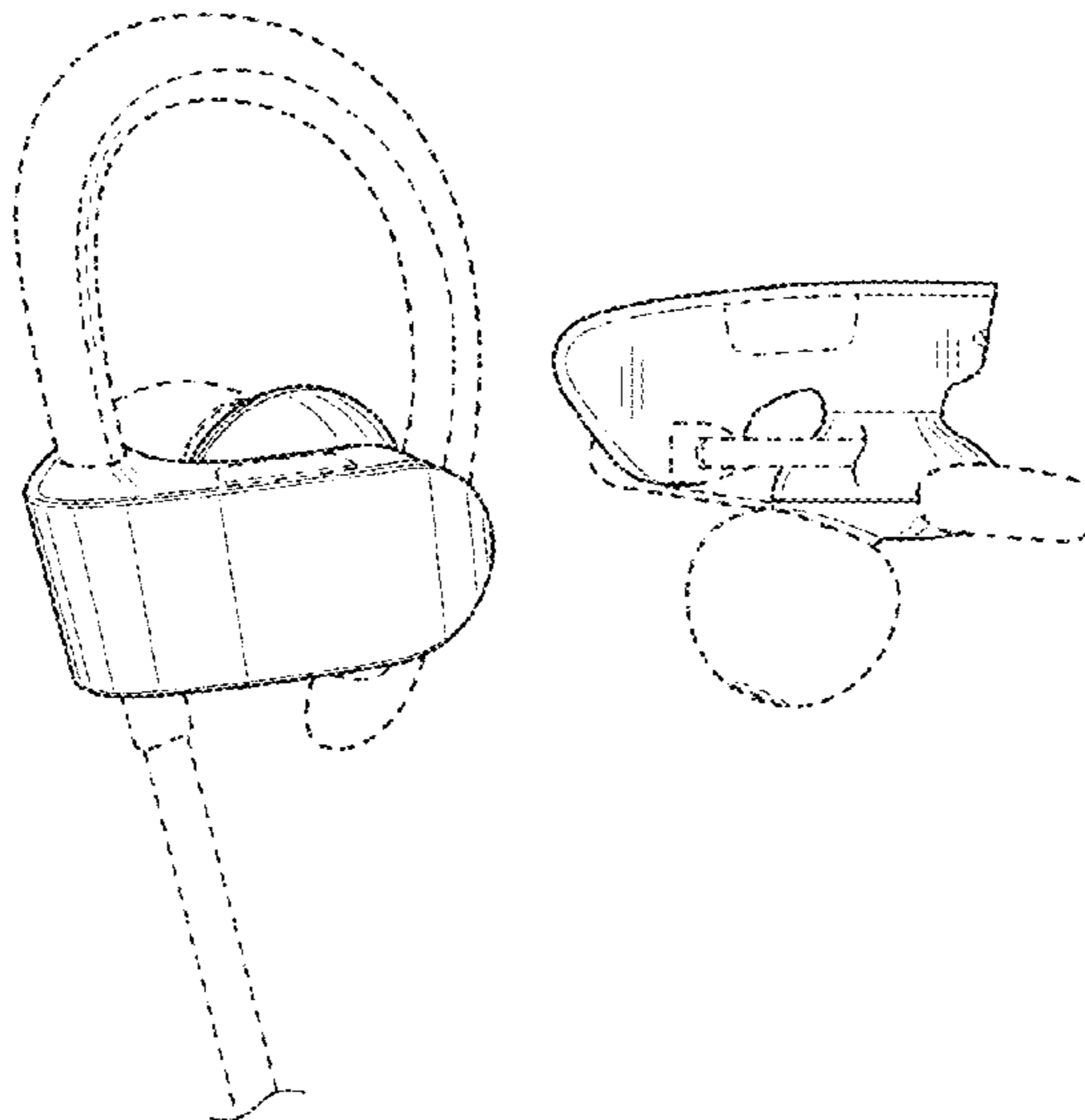
FIG. 6 is a top view of the embodiment of an earpiece of an audio listening system depicted in FIG. 1;

FIG. 7 is a bottom view of the embodiment of an earpiece of an audio listening system depicted in FIG. 1; and,

FIG. 8 is front view of an audio listening system with a pair of earpieces.

The broken lines in the figures show portions of the audio listening system that form no part of the claimed design.

**1 Claim, 3 Drawing Sheets**



(56)

**References Cited**

U.S. PATENT DOCUMENTS

D603,847 S *	11/2009	Chung	.....	D14/223	D635,960 S *	4/2011	Gondo et al.	.....	D14/223
D606,048 S *	12/2009	Soetejo et al.	.....	D14/223	8,090,135 B2 *	1/2012	Lin	.....	381/381
7,648,005 B2 *	1/2010	Leong et al.	.....	181/135	8,265,328 B2 *	9/2012	Milde et al.	.....	381/381
7,708,110 B2 *	5/2010	Leong et al.	.....	181/135	D686,196 S *	7/2013	Lee et al.	.....	D14/223
D617,780 S *	6/2010	Jaakkola et al.	.....	D14/223	D695,275 S *	12/2013	Chee	.....	D14/223
D618,669 S *	6/2010	Johnson et al.	.....	D14/223	D699,213 S *	2/2014	Burgett et al.	.....	D14/205
D624,529 S *	9/2010	Huang	.....	D14/223	D710,333 S *	8/2014	Davies et al.	.....	D14/223
7,841,446 B2 *	11/2010	Leong et al.	.....	181/135	D712,382 S *	9/2014	Brunner et al.	.....	D14/223
D631,470 S *	1/2011	Yoneyama et al.	.....	D14/223	D713,385 S *	9/2014	Burgett et al.	.....	D14/223
					D713,822 S *	9/2014	Paradise et al.	.....	D14/223
					2013/0216087 A1 *	8/2013	MacDonald	.....	381/381

\* cited by examiner

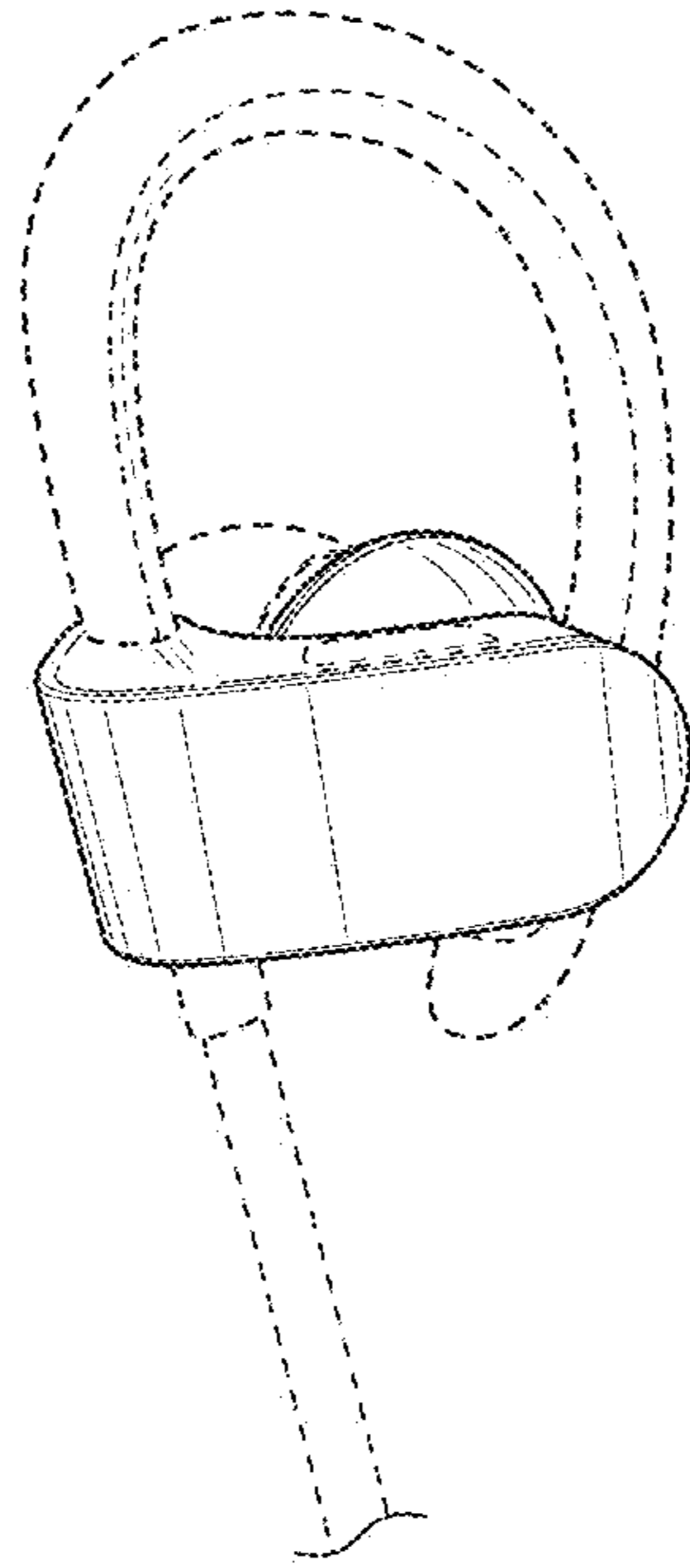


FIG. 1

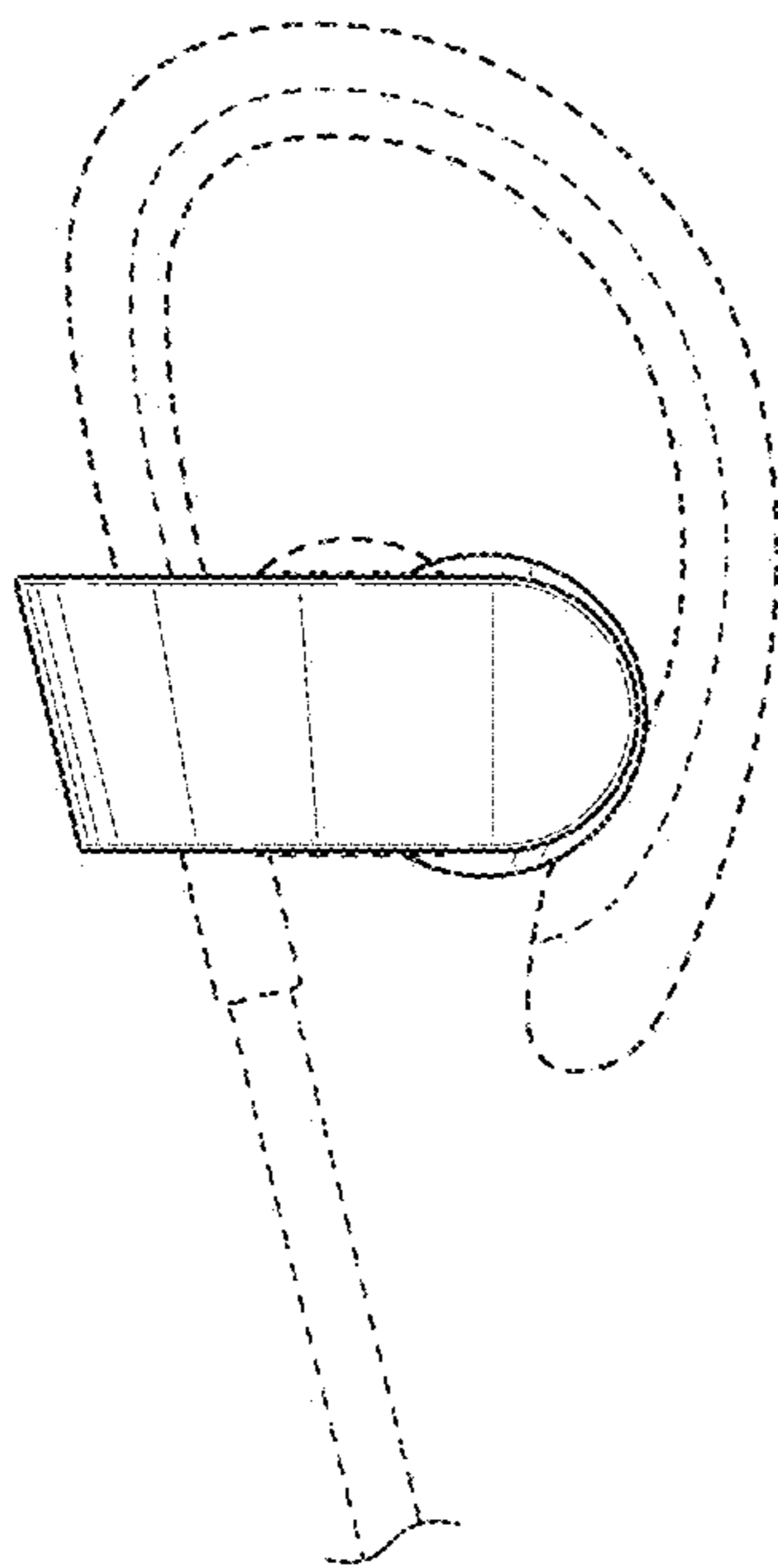


FIG. 2

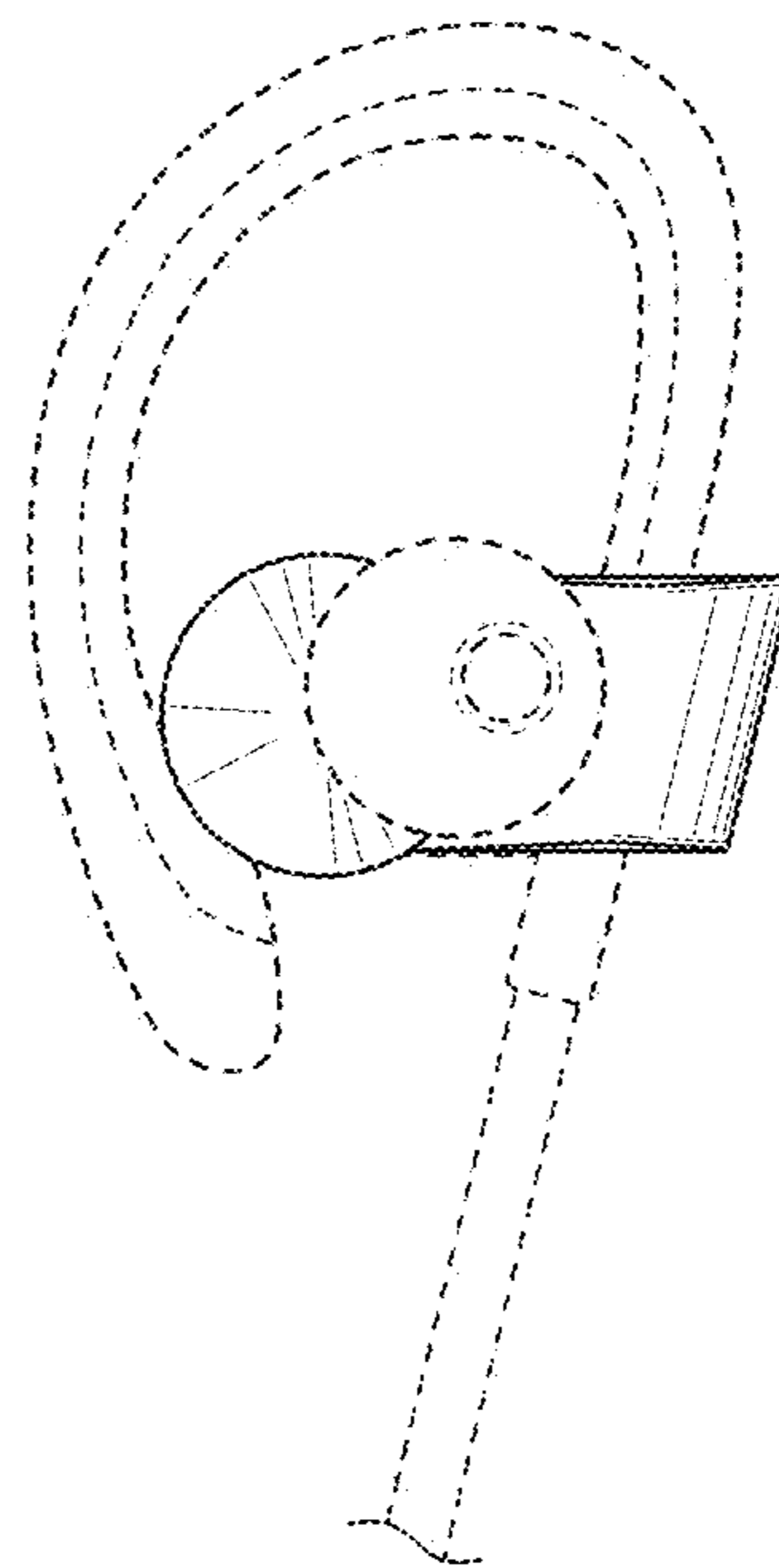


FIG. 3

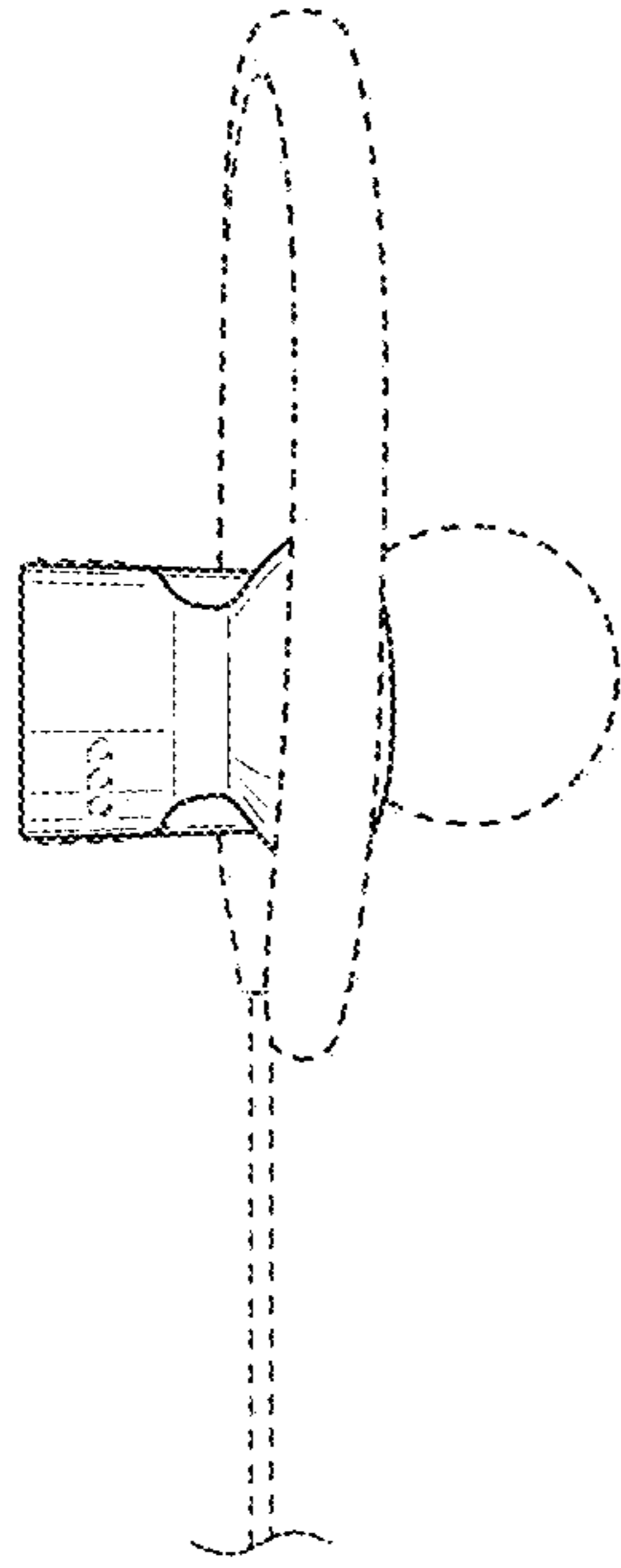


FIG. 4

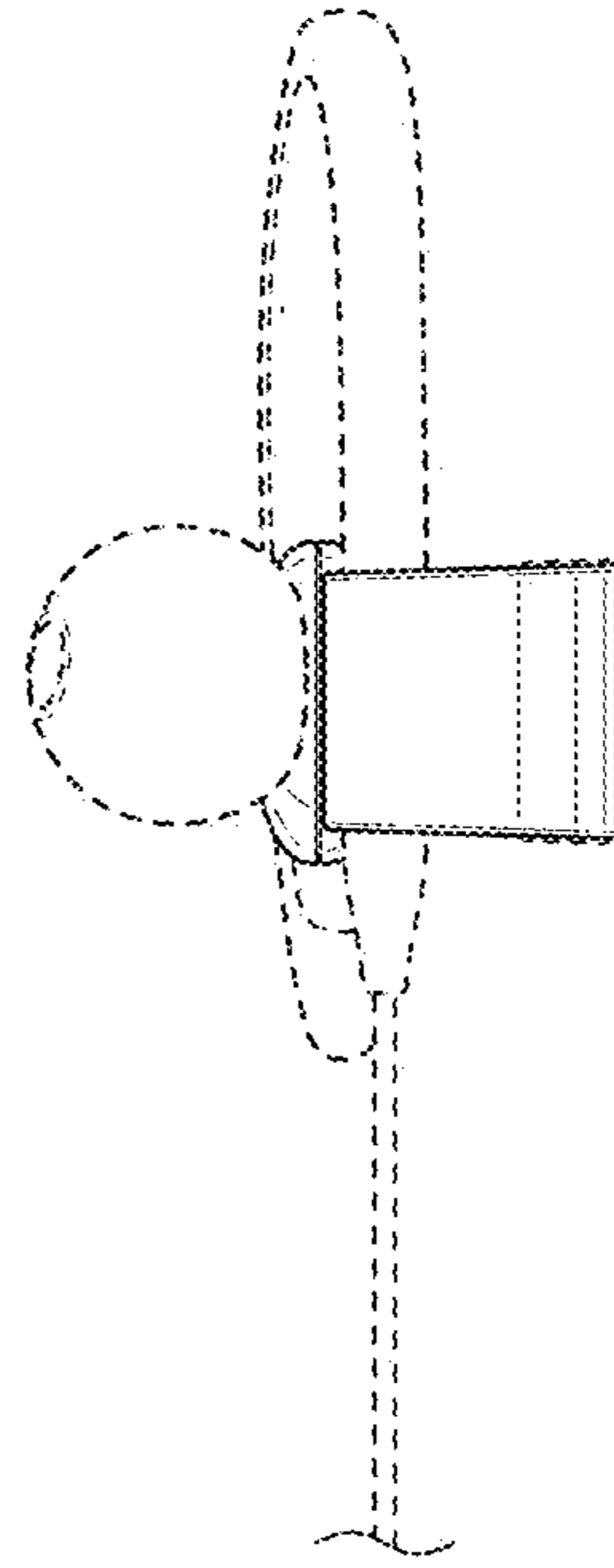


FIG. 5

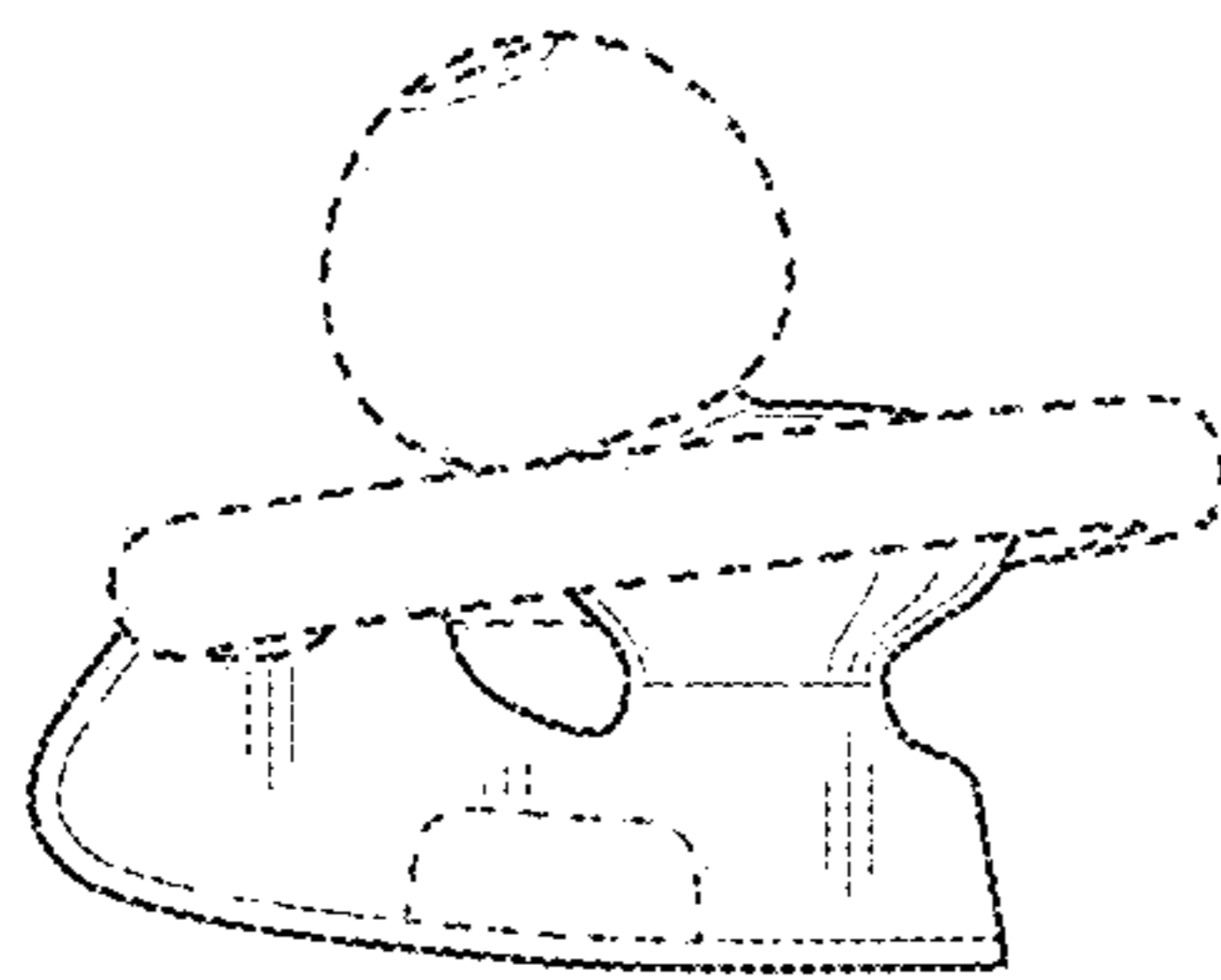


FIG. 6

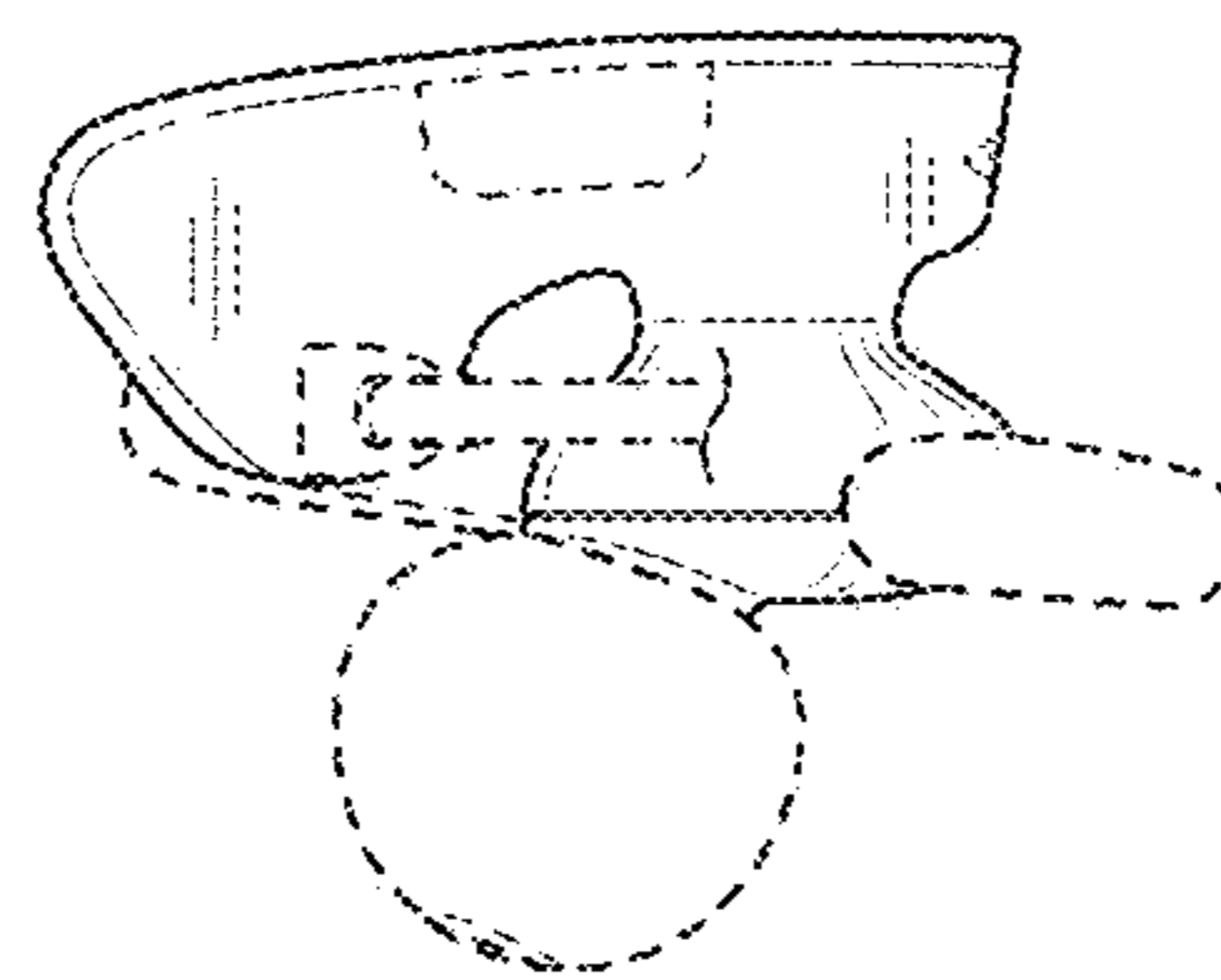


FIG. 7

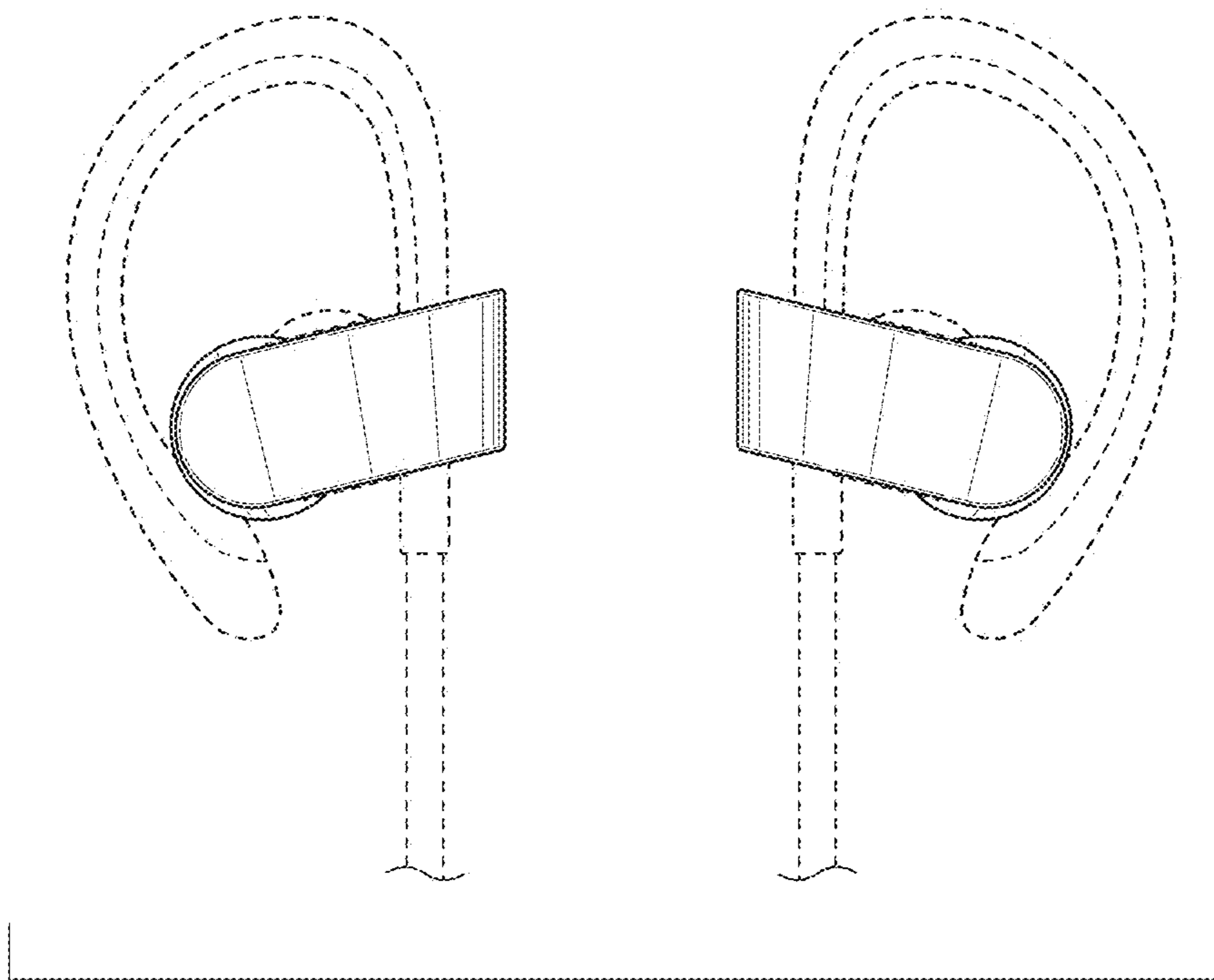


FIG. 8