



US00D734742S

(12) **United States Design Patent**
Fujioka

(10) **Patent No.:** **US D734,742 S**
(45) **Date of Patent:** **** Jul. 21, 2015**

- (54) **SPEAKER STRAP ACCESSORY**
- (71) Applicant: **Robb Fujioka**, Manhattan Beach, CA (US)
- (72) Inventor: **Robb Fujioka**, Manhattan Beach, CA (US)
- (73) Assignee: **Fuhu, Inc.**, El Segundo, CA (US)
- (**) Term: **14 Years**
- (21) Appl. No.: **29/487,690**
- (22) Filed: **Apr. 10, 2014**
- (51) **LOC (10) Cl.** **14-02**
- (52) **U.S. Cl.**
USPC **D14/217; D3/327**
- (58) **Field of Classification Search**
USPC D14/204, 221, 217; D3/290, 327;
181/148, 171; 381/386; 224/901.2,
224/901.4; 24/68 R, 182, 265 R, 265 BC,
24/265 H; 217/66; 294/149
CPC H04R 1/00; H04R 3/00; H04R 1/38
See application file for complete search history.

5,181,280	A *	1/1993	Zachry, Jr.	2/452
5,943,705	A *	8/1999	Sink	2/338
6,528,203	B1 *	3/2003	Mitamura	429/98
6,692,574	B1 *	2/2004	Tolt	118/715
6,789,671	B2 *	9/2004	Morrison et al.	206/388
6,941,620	B1 *	9/2005	Hinds	24/134 R
D646,895	S *	10/2011	Nolan et al.	D3/327
D663,955	S *	7/2012	Swaggart	D3/327
8,731,213	B2 *	5/2014	Harada et al.	381/92

* cited by examiner

Primary Examiner — Prabhakar Deshmukh
(74) *Attorney, Agent, or Firm* — Steptoe & Johnson LLP

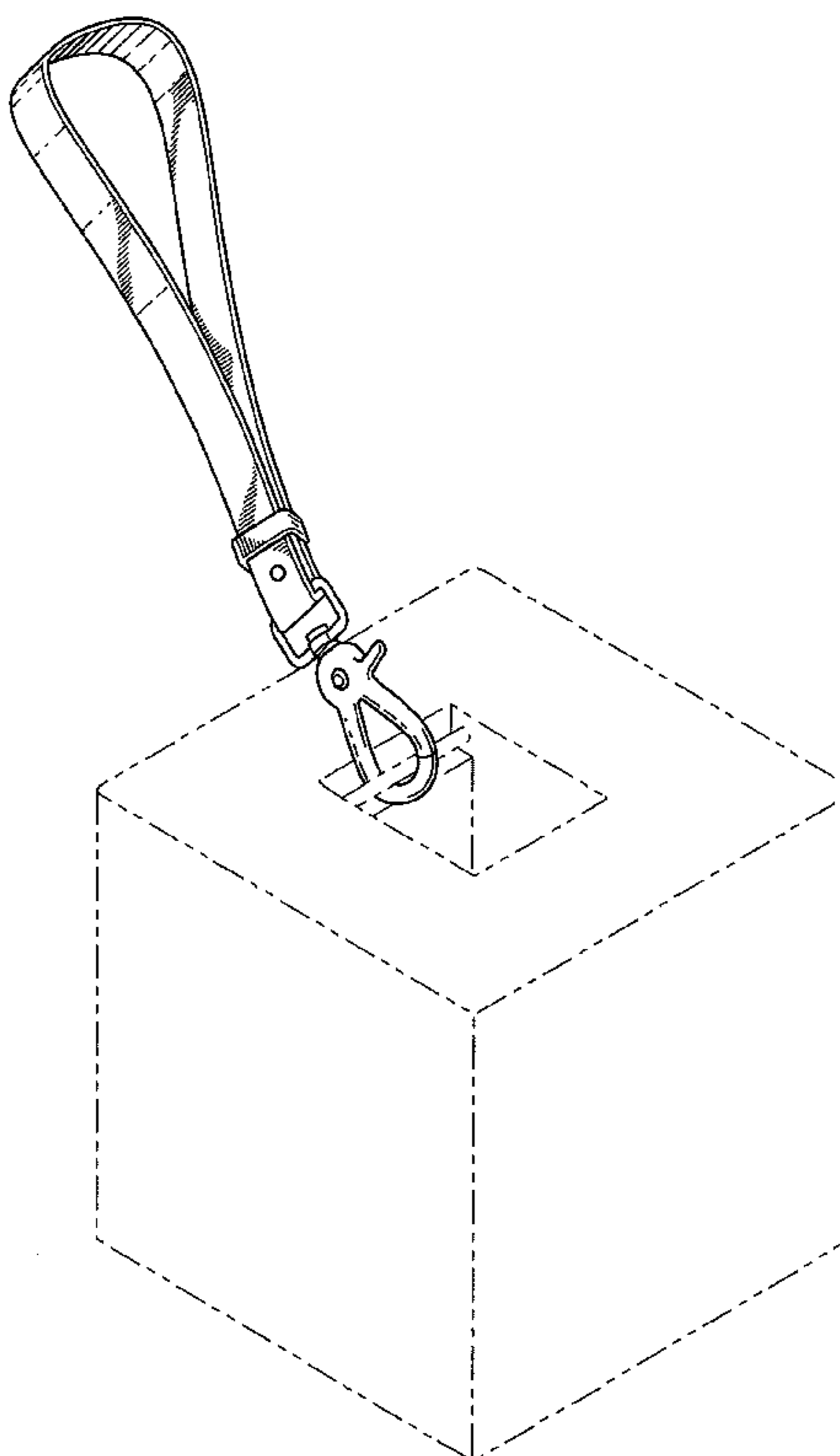
(57) **CLAIM**
The ornamental design for an speaker strap accessory, as shown and described.

DESCRIPTION

FIG. 1 is a top, front, right side perspective view of a speaker strap accessory showing my new design, shown in environmental use;
FIG. 2 is a front elevation view, the rear elevation view being a mirror image;
FIG. 3 is a right side elevation view;
FIG. 4 is a left side elevation view;
FIG. 5 is a top plan view, shown at an enlarged scale; and,
FIG. 6 is a bottom plan view, shown at an enlarged scale.
The broken lines illustrating environment form no part of the claimed design.

1 Claim, 2 Drawing Sheets

- (56) **References Cited**
U.S. PATENT DOCUMENTS
4,764,963 A * 8/1988 Atal 704/219
4,847,818 A * 7/1989 Olsen 368/10



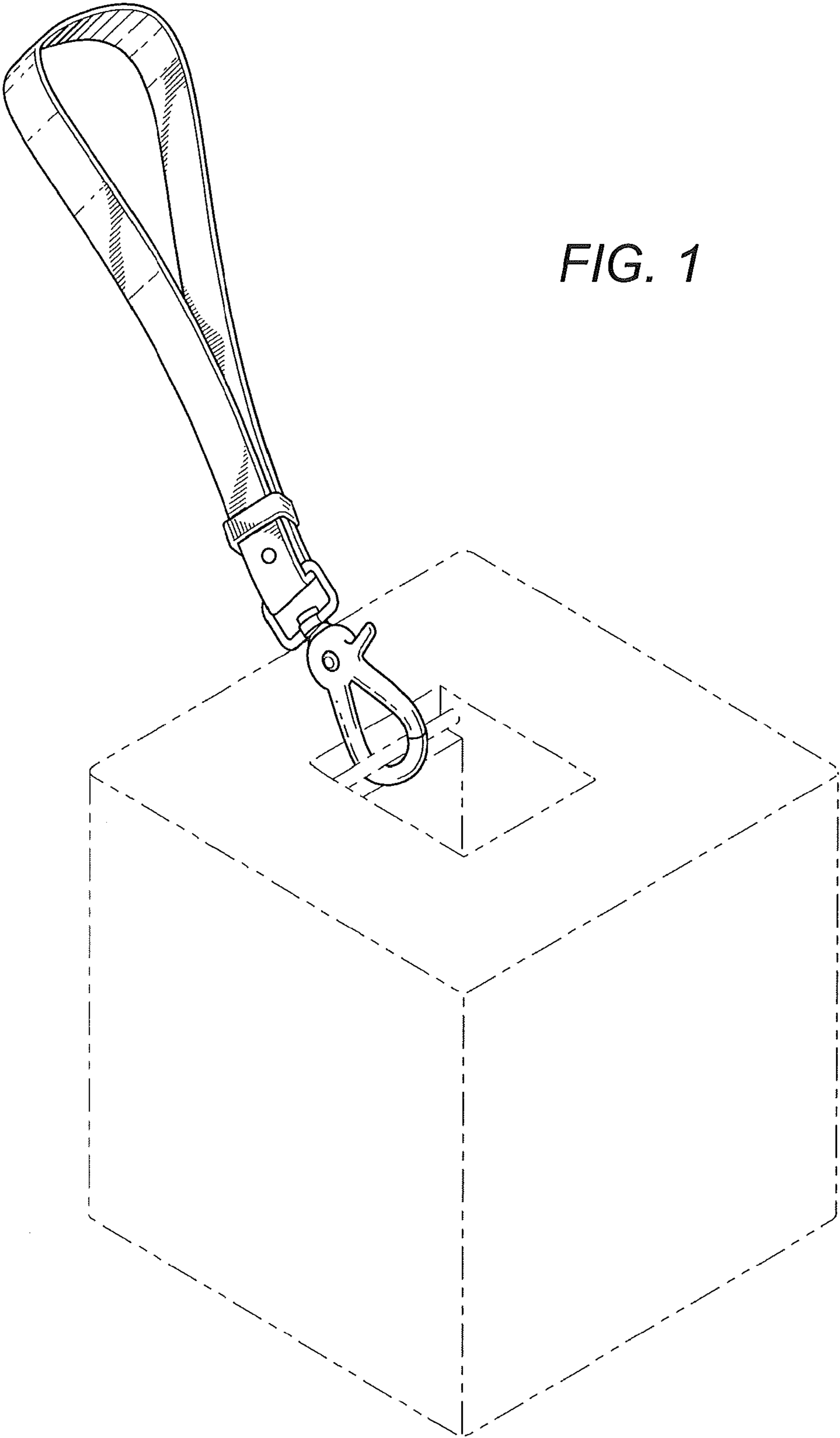


FIG. 1

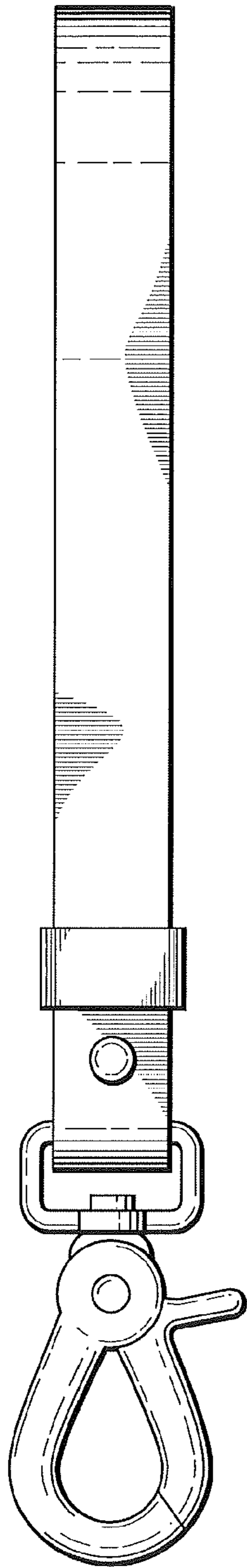


FIG. 2

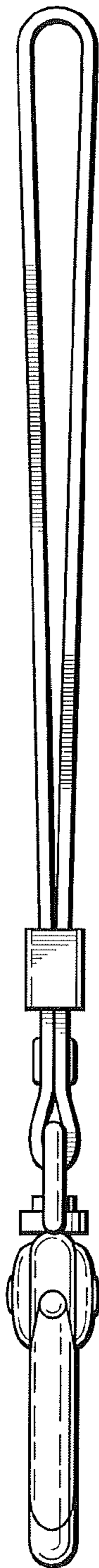


FIG. 3

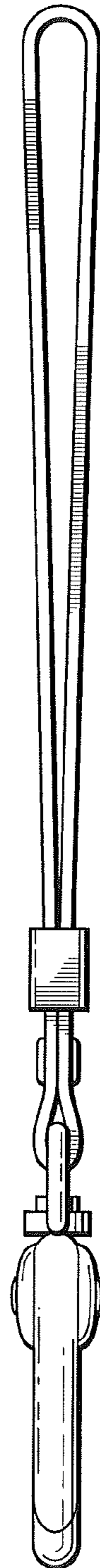


FIG. 4

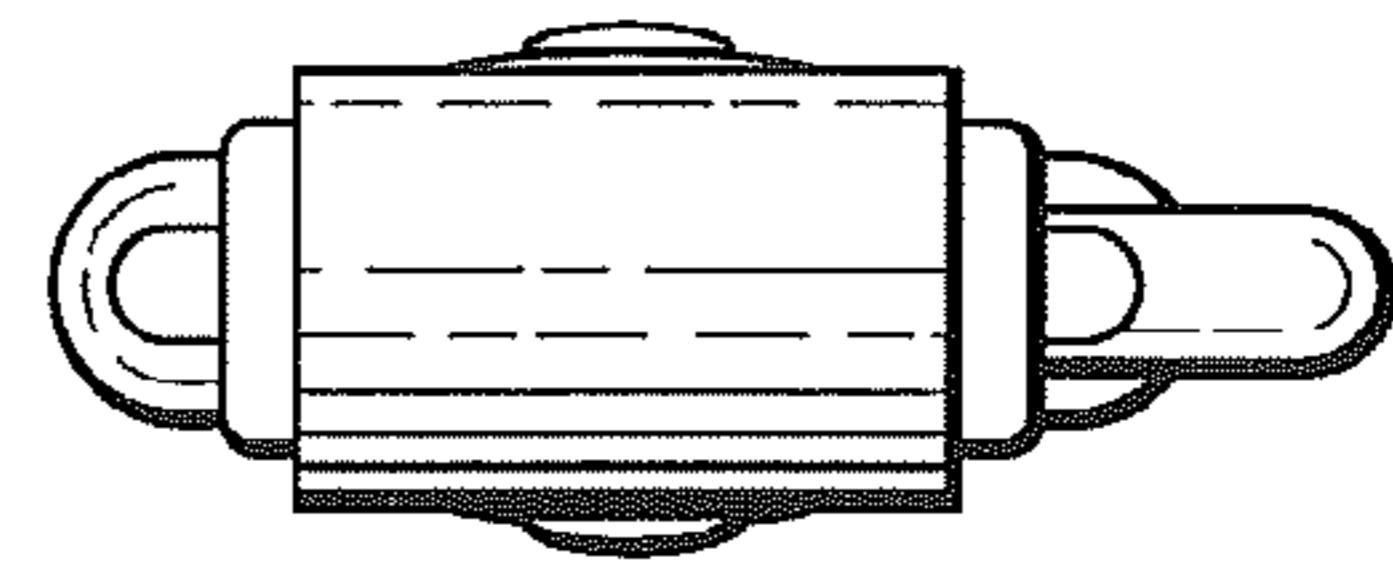


FIG. 5

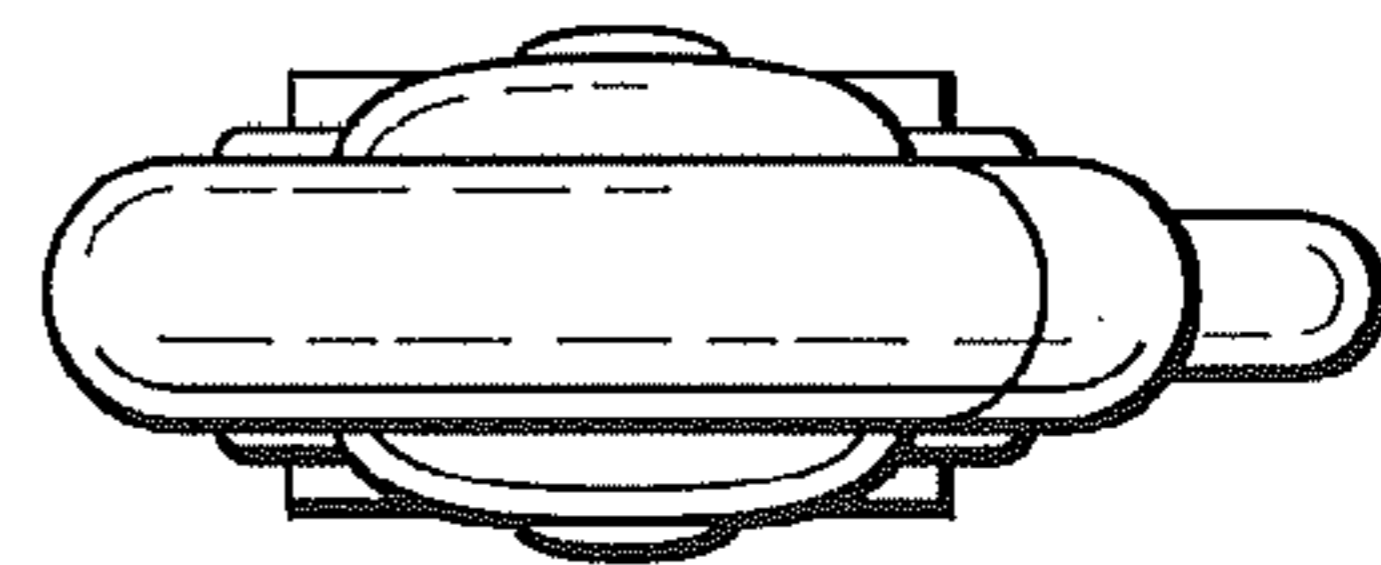


FIG. 6