



US00D734730S

(12) **United States Design Patent**  
**Yoshida et al.**

(10) **Patent No.:** **US D734,730 S**  
(45) **Date of Patent:** **\*\* Jul. 21, 2015**

(54) **BOAT OF SUBSTRATE PROCESSING APPARATUS**

(71) Applicant: **Hitachi Kokusai Electric Inc.**, Tokyo (JP)

(72) Inventors: **Hidenari Yoshida**, Toyama (JP);  
**Tomoshi Taniyama**, Toyama (JP)

(73) Assignee: **HITACHI KOKUSAI ELECTRIC INC.**, Tokyo (JP)

(\*\*) Term: **14 Years**

(21) Appl. No.: **29/459,104**

(22) Filed: **Jun. 26, 2013**

(30) **Foreign Application Priority Data**

Dec. 27, 2012 (JP) ..... 2012-031874

(51) **LOC (10) CL.** ..... **13-03**

(52) **U.S. CL.**  
USPC ..... **D13/182**

(58) **Field of Classification Search**  
USPC ..... D13/182; D15/144, 144.1, 199;  
118/715, 500, 728, 729; 211/41.18;  
432/253, 258; 156/345.51, 345.52,  
156/345.53, 345.55; 414/217, 220.01, 935,  
414/936-941  
CPC ..... C23C 16/458; C23C 16/4581; C23C  
16/4582; C23C 16/4583; C23C 16/4584;  
C23C 16/4586; C23C 16/4587; C23C  
16/4588; C30B 31/14; H01L 21/673; H01L  
21/67303; H01L 21/67306; H01L 21/67309;  
H01L 21/67313; H01L 21/67316; H01L  
21/67323; H01L 21/67326; H01L 21/6733

See application file for complete search history.

(56) **References Cited**

U.S. PATENT DOCUMENTS

D361,752 S *	8/1995	Yamaga	.....	D13/182
D366,868 S *	2/1996	Ohsawa	.....	D13/182
D378,675 S *	4/1997	Iwai	.....	D13/182
D378,823 S *	4/1997	Watanabe et al.	.....	D15/140
D380,454 S *	7/1997	Iwai et al.	.....	D13/182
5,752,609 A *	5/1998	Kato et al.	.....	211/41.18
D404,015 S *	1/1999	Honma	.....	D13/182
D404,371 S *	1/1999	Shimazu	.....	D13/182
5,897,311 A *	4/1999	Nishi	.....	432/239
D409,158 S *	5/1999	Shimazu	.....	D13/182
D411,176 S *	6/1999	Shimazu	.....	D13/182
6,062,853 A *	5/2000	Shimazu et al.	.....	432/258
6,065,615 A *	5/2000	Uchiyama et al.	.....	211/41.18
6,095,806 A *	8/2000	Suzuki et al.	.....	432/241
6,099,302 A *	8/2000	Hong et al.	.....	432/259
6,099,645 A *	8/2000	Easley et al.	.....	118/500
6,287,112 B1 *	9/2001	Van Voorst Vader et al.	.....	432/258
6,341,935 B1 *	1/2002	Tseng	.....	414/800

(Continued)

*Primary Examiner* — Elizabeth J Oswecki

(74) *Attorney, Agent, or Firm* — Fitch, Even, Tabin and Flannery LLP

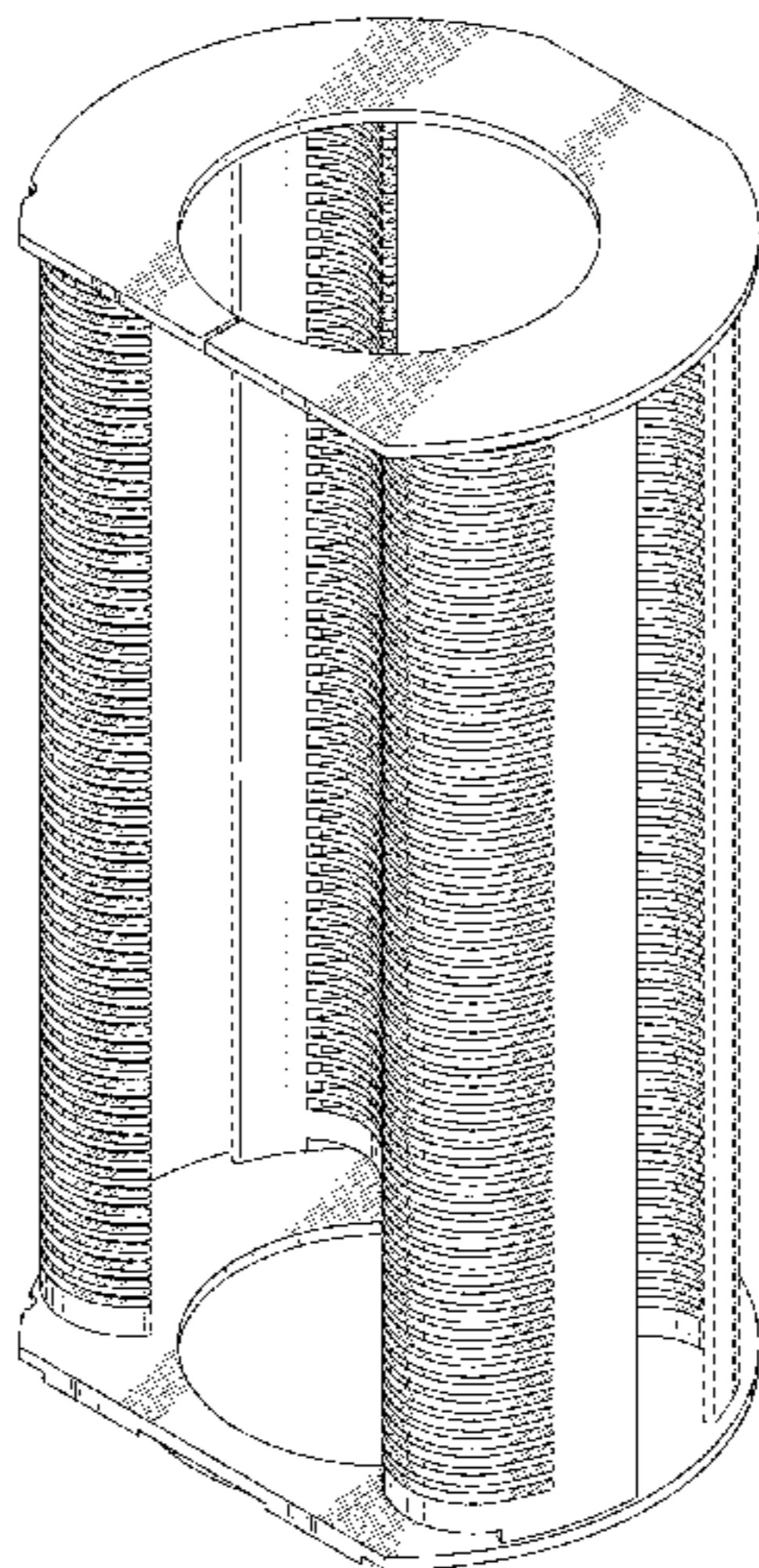
(57) **CLAIM**

The ornamental design for a boat of substrate processing apparatus, as shown.

**DESCRIPTION**

FIG. 1 is a front, top and right side perspective view of a boat of substrate processing apparatus showing our new design; FIG. 2 is a rear, top and left side perspective view thereof; FIG. 3 is a front elevational view thereof; FIG. 4 is a rear elevational view thereof; FIG. 5 is a left side elevational view thereof; FIG. 6 is a right side elevational view thereof; FIG. 7 is a top plan view thereof; FIG. 8 is a bottom plan view thereof; FIG. 9 is a cross sectional view taken along line 9-9 in FIG. 3; and, FIG. 10 is a cross sectional view taken along line 10-10 in FIG. 3.

**1 Claim, 9 Drawing Sheets**



(56)

**References Cited**

U.S. PATENT DOCUMENTS

D570,308 S *	6/2008	Sato	.....	D13/182	D616,396 S *	5/2010	Sato	.....	D13/182
D570,309 S *	6/2008	Sato et al.	.....	D13/182	D655,255 S *	3/2012	Takebayashi et al.	.....	D13/182
D580,894 S *	11/2008	Sato	.....	D13/182	D655,682 S *	3/2012	Takebayashi et al.	.....	D13/182
7,484,958 B2 *	2/2009	Kobayashi	.....	432/258	2002/0092815 A1 *	7/2002	Kim et al.	.....	211/41.18
D600,221 S *	9/2009	Sato	.....	D13/182	2002/0113027 A1 *	8/2002	Minami et al.	.....	211/41.18
D600,222 S *	9/2009	Sato	.....	D13/182	2002/0130061 A1 *	9/2002	Hengst	.....	206/710
D616,394 S *	5/2010	Sato	.....	D13/182	2002/0187023 A1 *	12/2002	Araki	.....	414/160
D616,395 S *	5/2010	Sato	.....	D13/182	2003/0024888 A1 *	2/2003	Payne et al.	.....	211/41.18
					2005/0145584 A1 *	7/2005	Buckley et al.	.....	211/41.18
					2009/0250005 A1 *	10/2009	Kaneko et al.	.....	118/724

\* cited by examiner

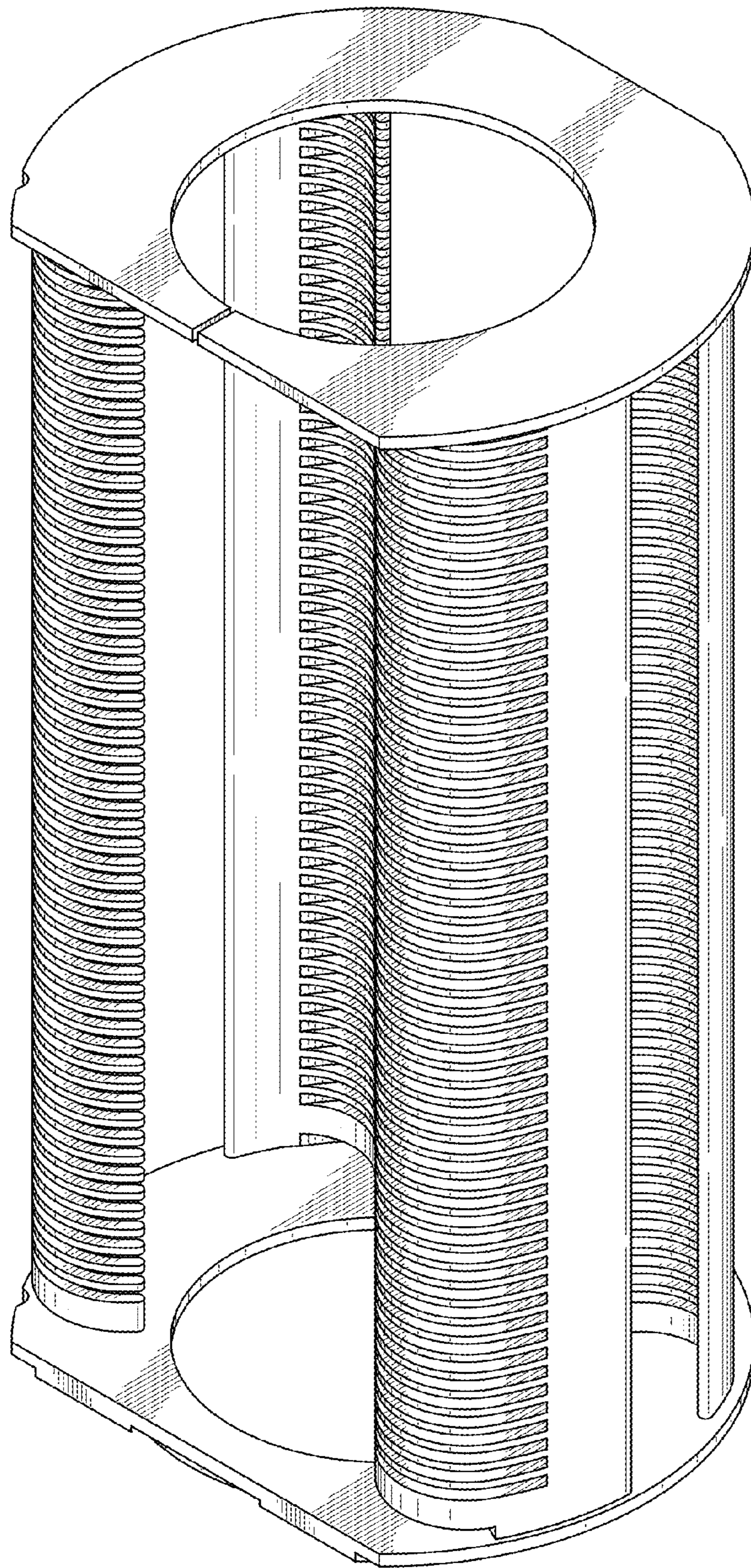


FIG. 1

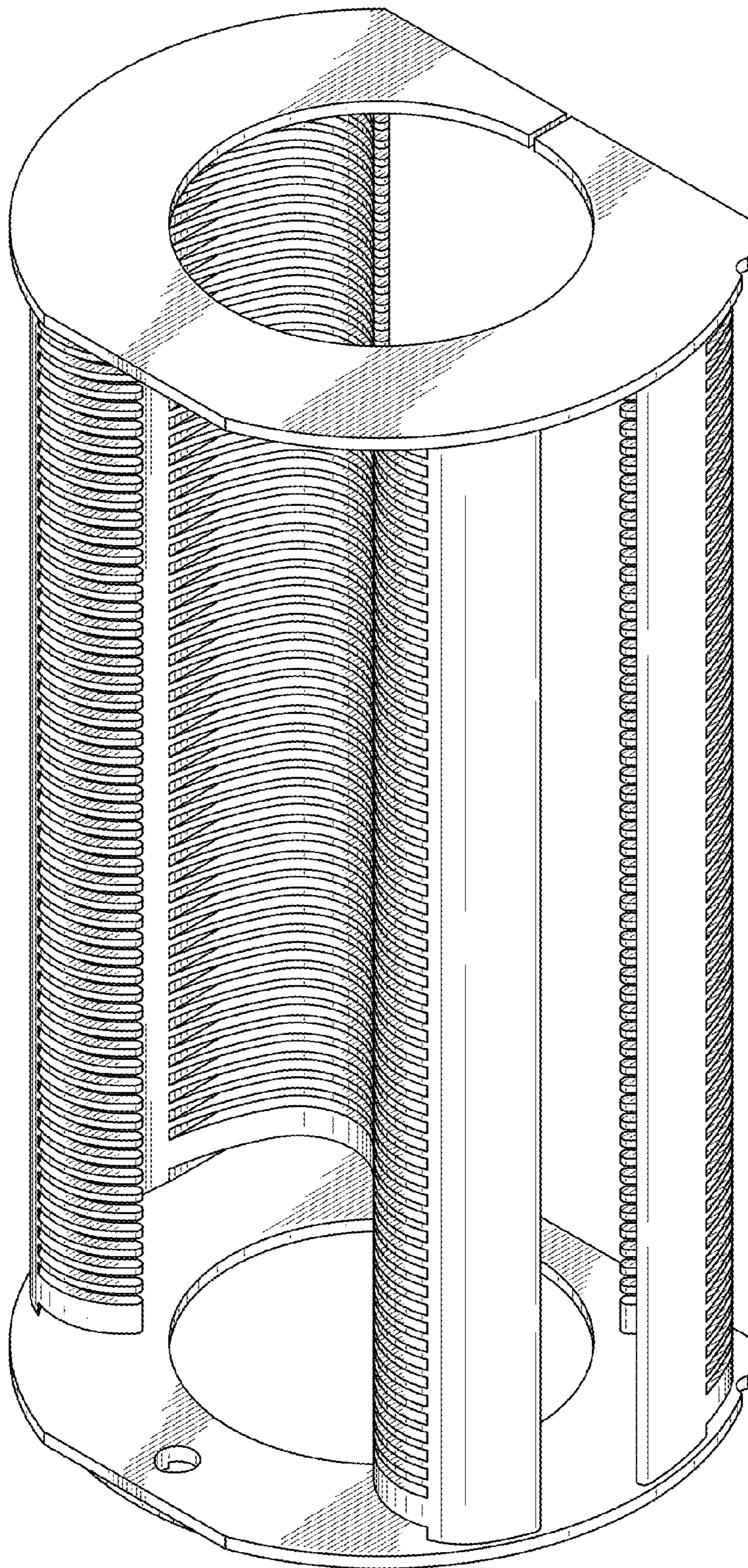
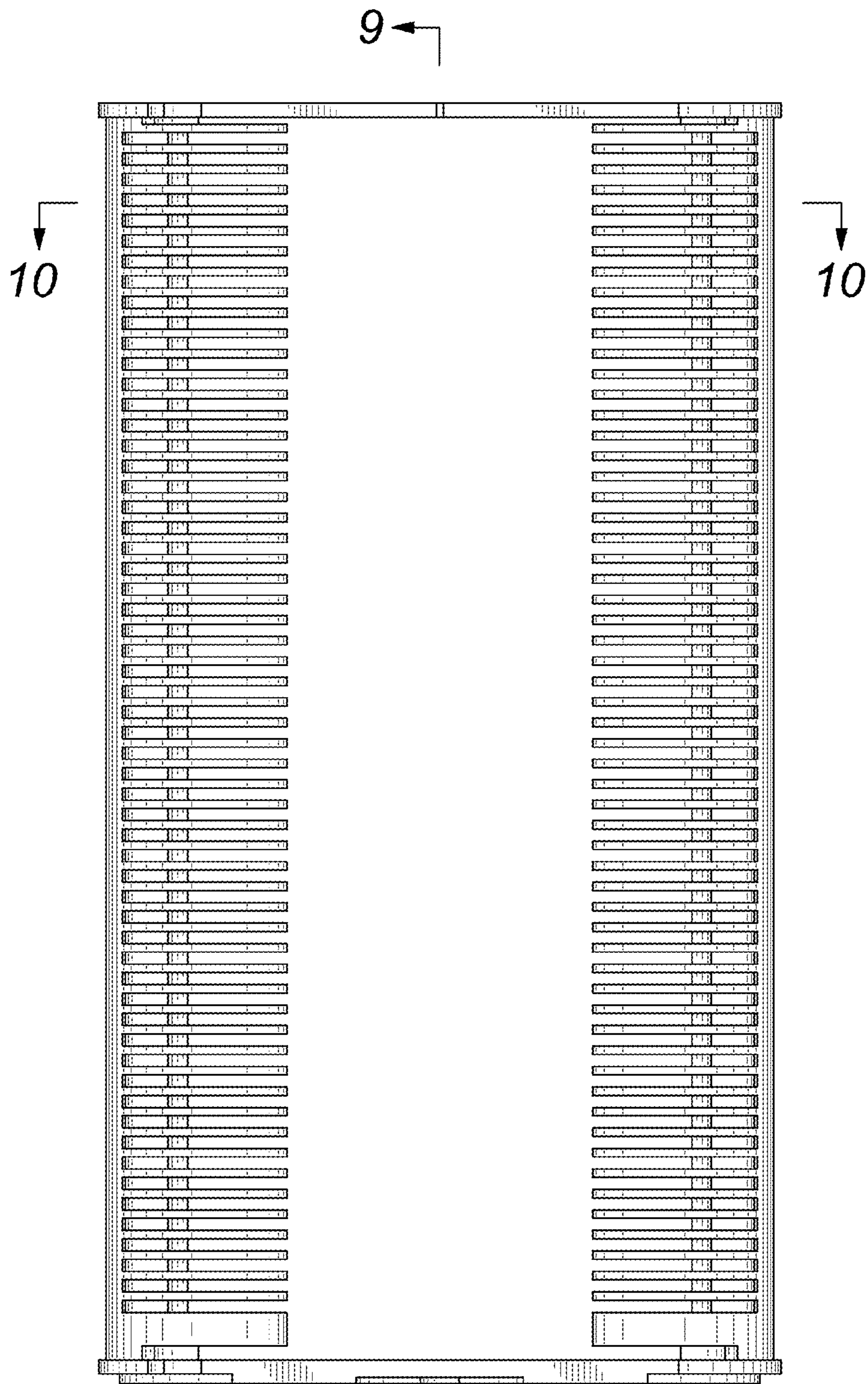


FIG. 2



9 ←  
**FIG. 3**

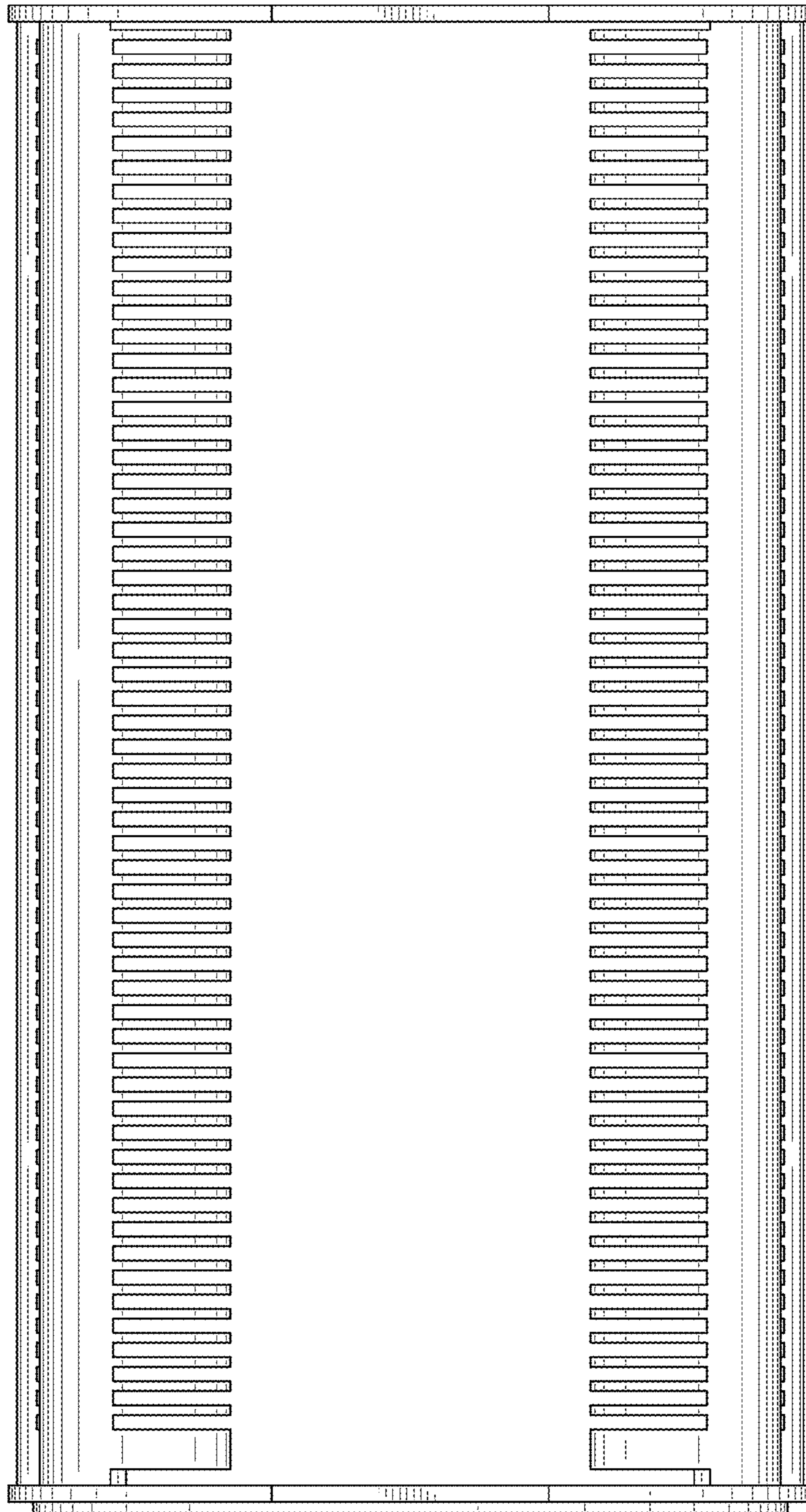


FIG. 4

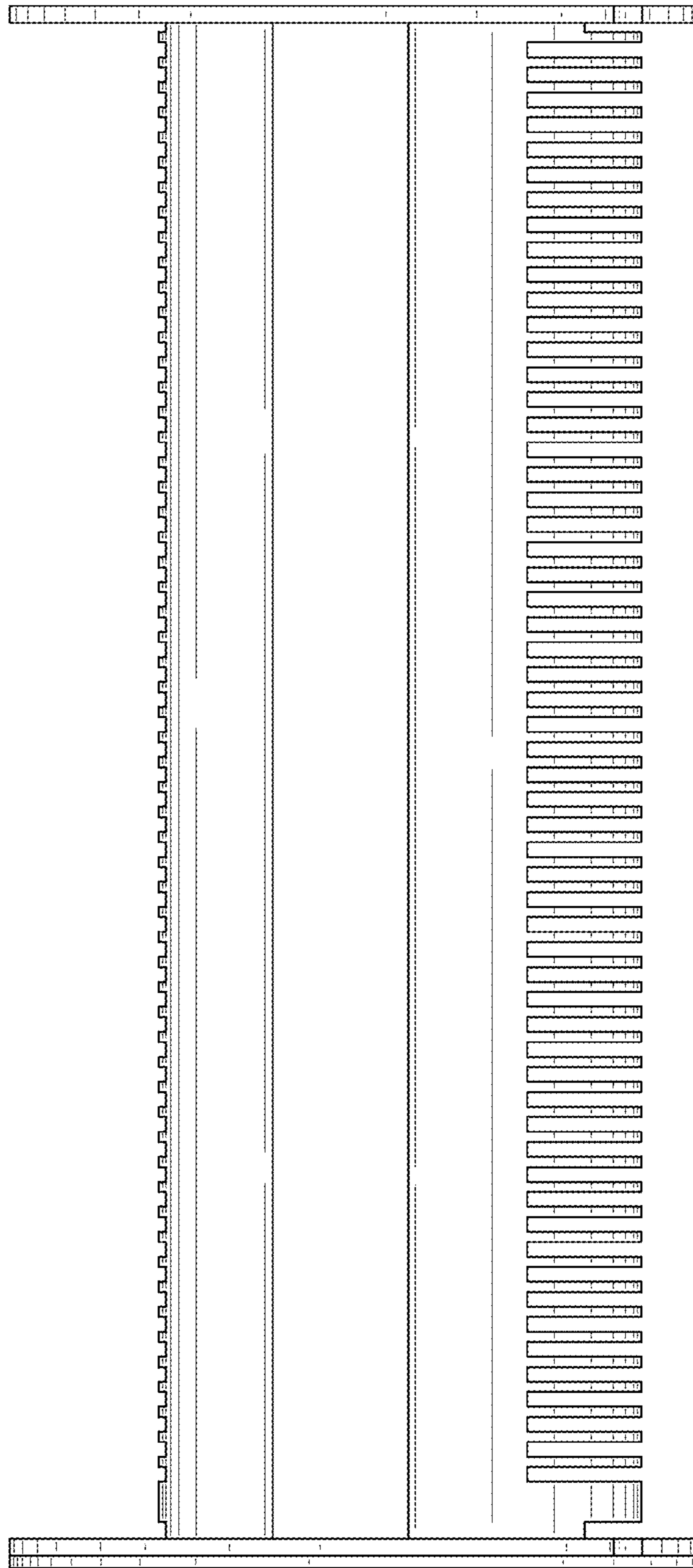


FIG. 5

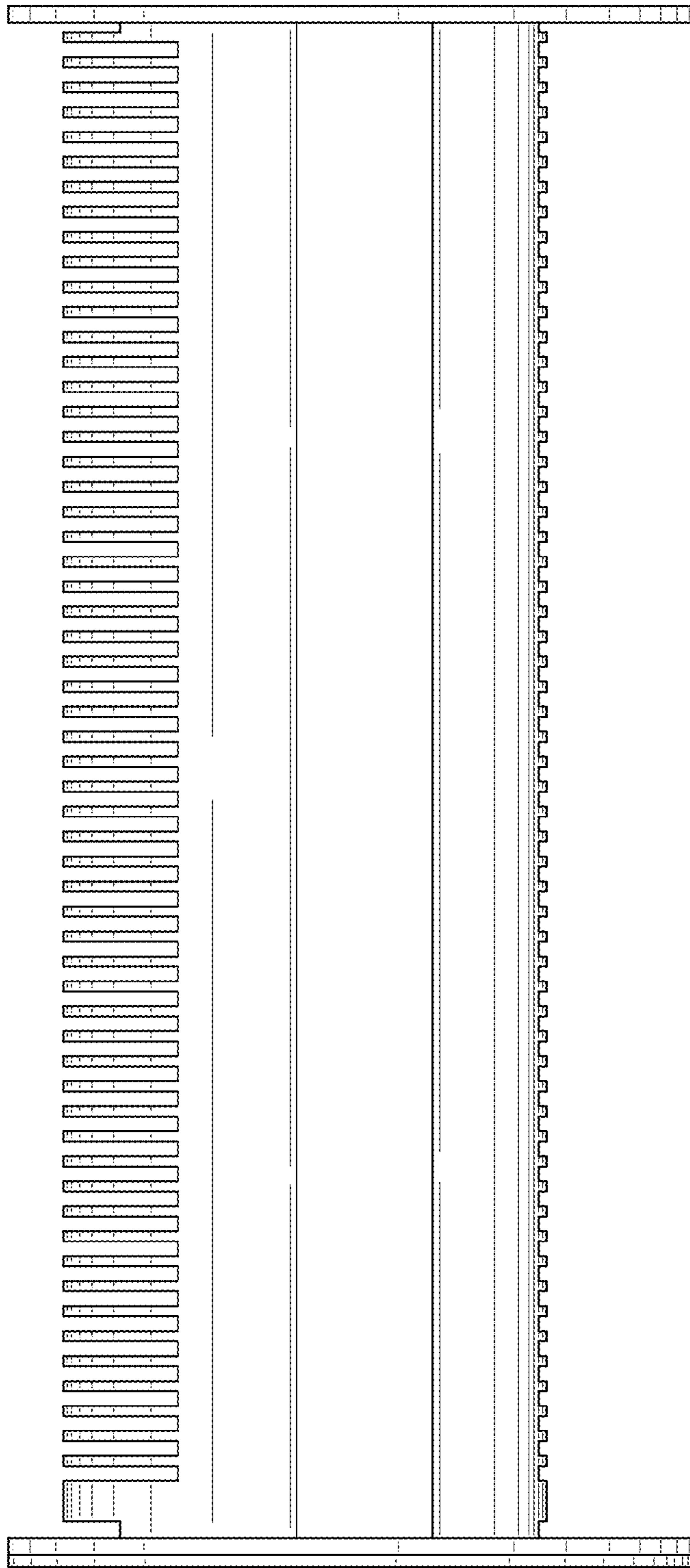
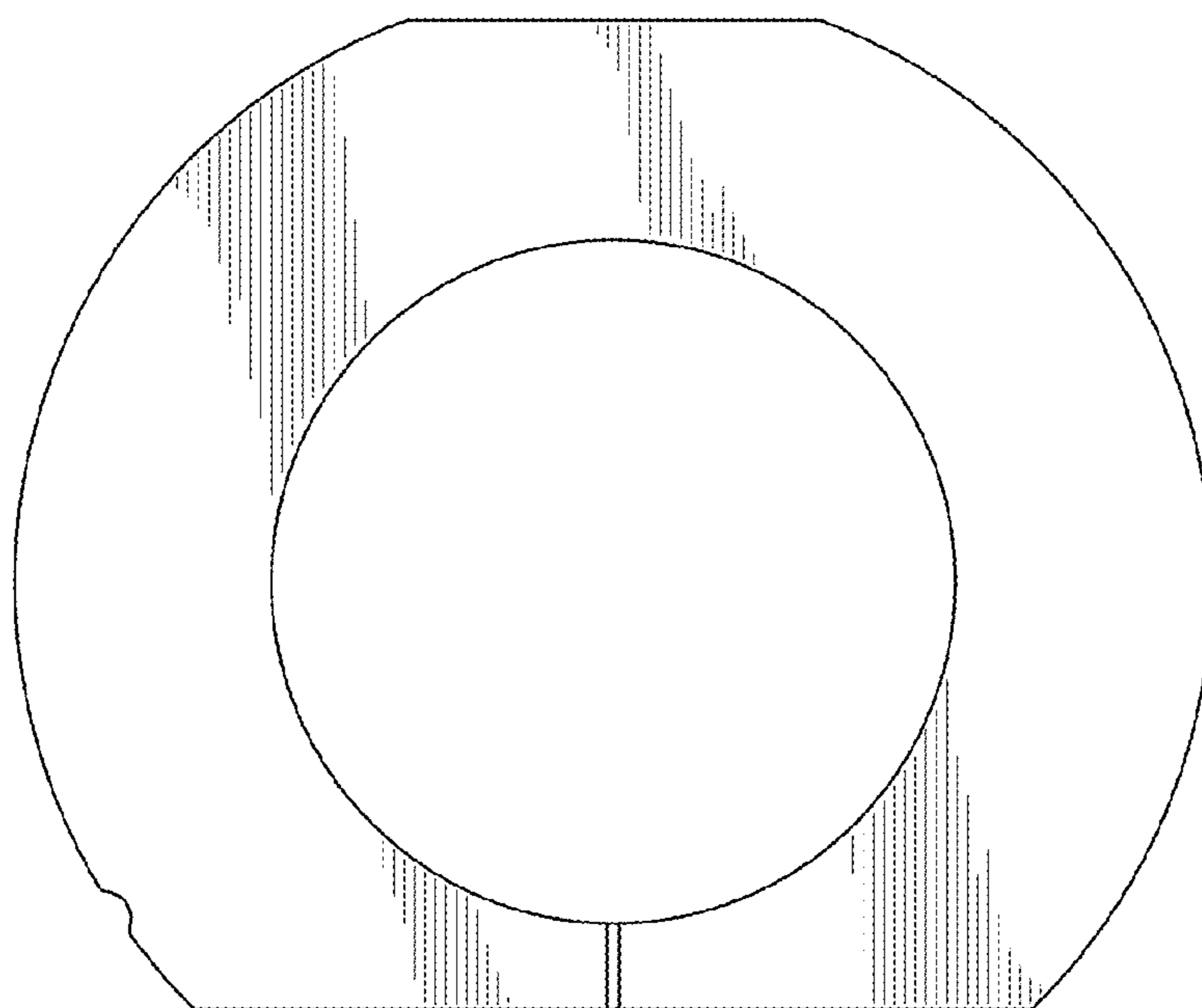
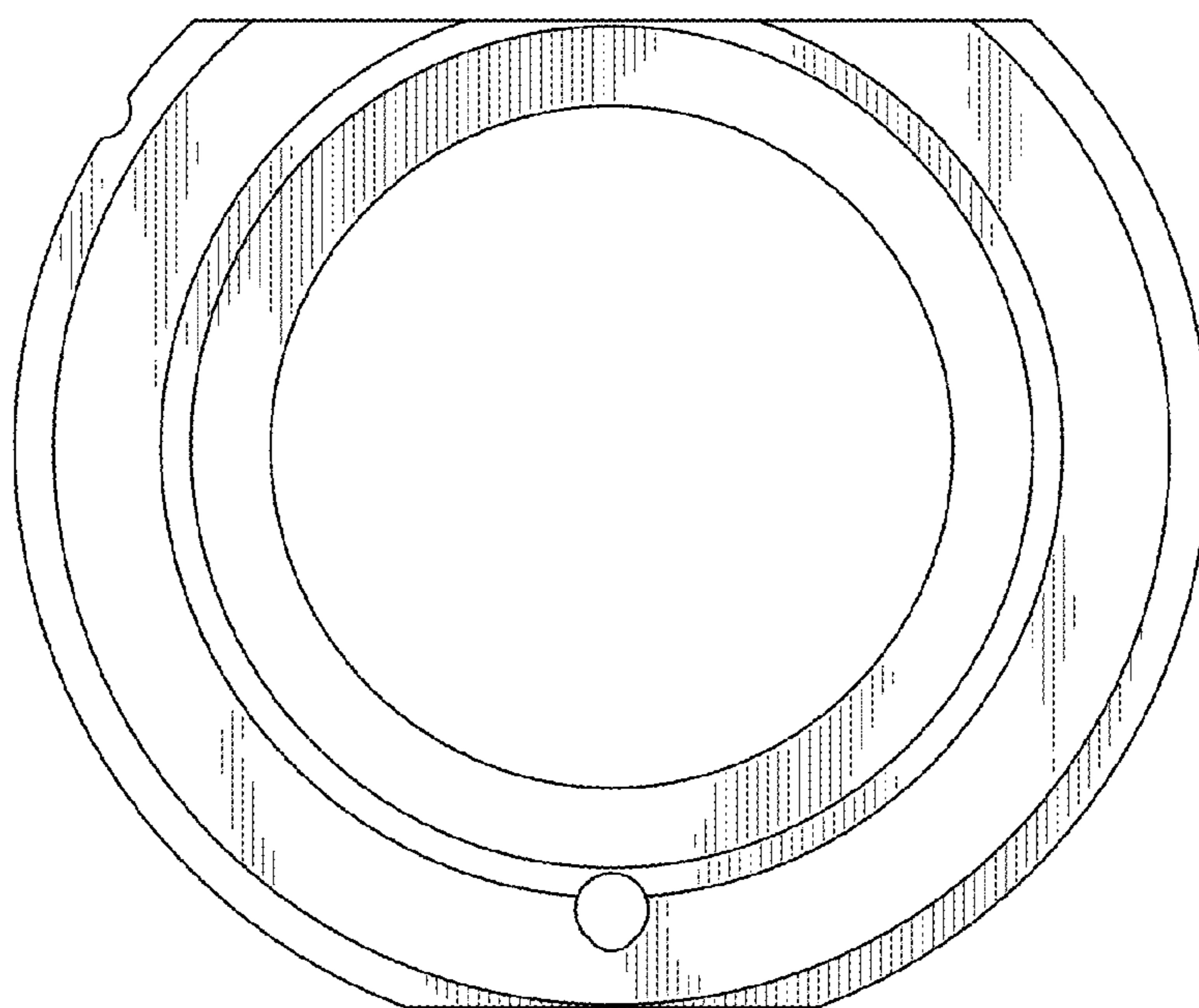


FIG. 6





*FIG. 7*



*FIG. 8*

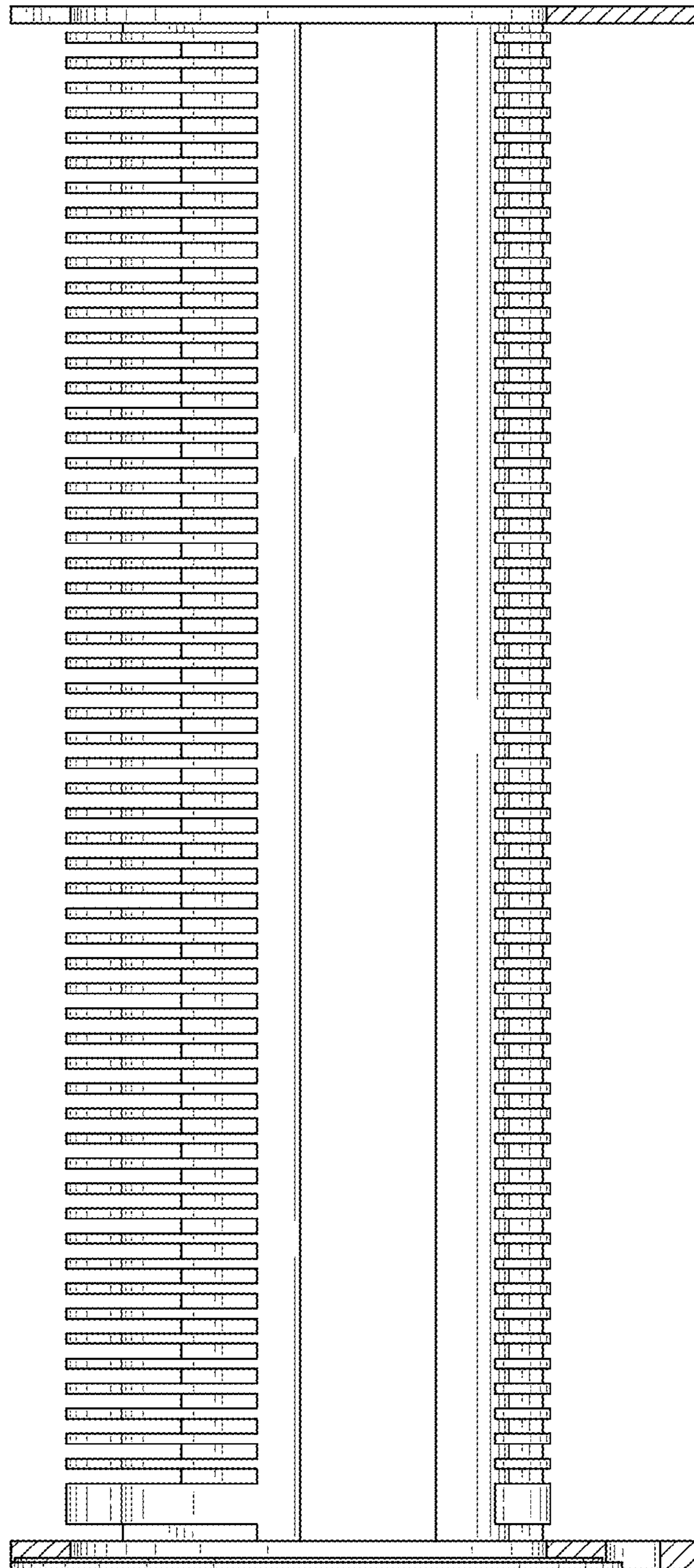
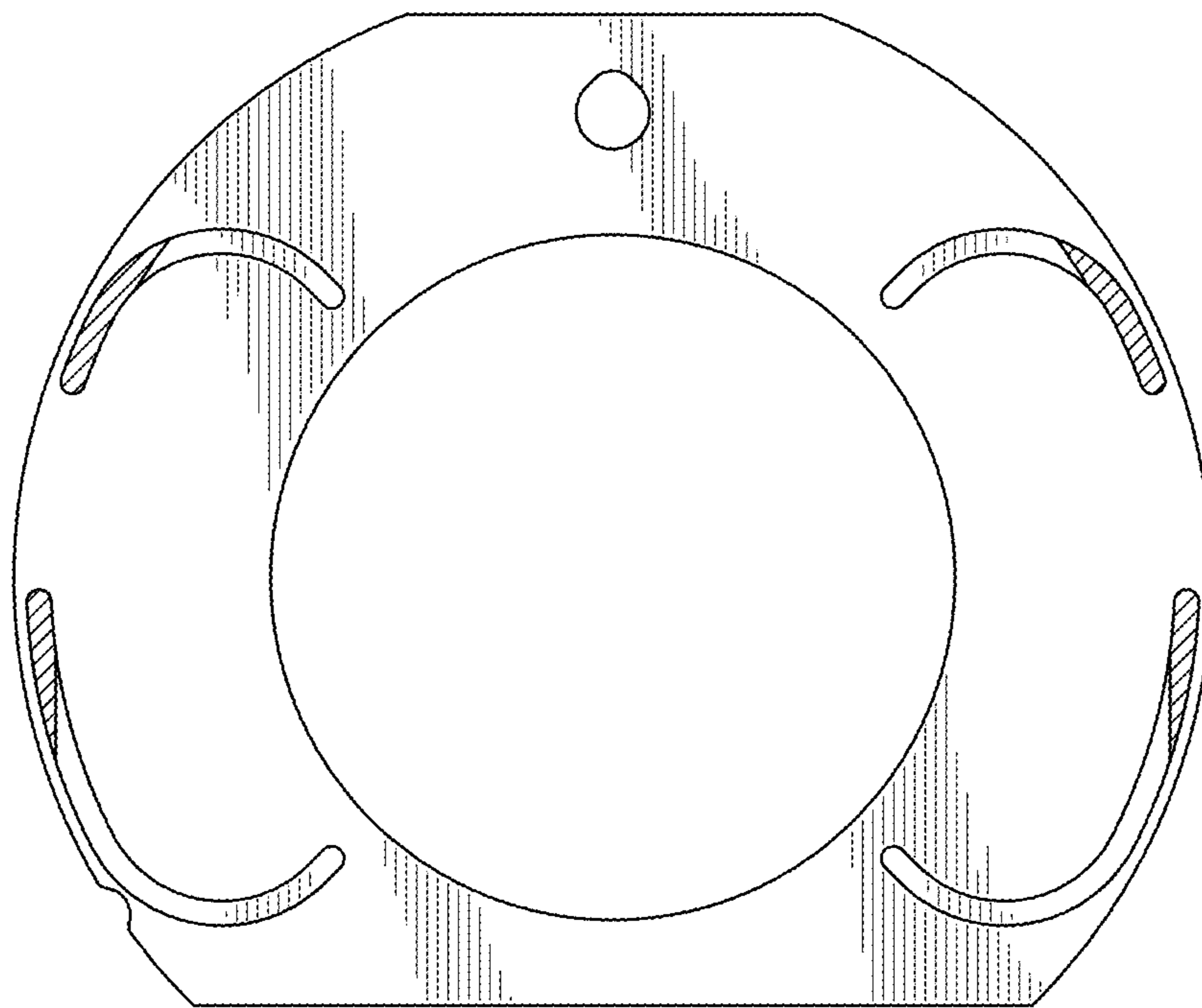


FIG. 9



*FIG. 10*