



US00D734729S

(12) **United States Design Patent**
Chaloupecky et al.

(10) **Patent No.:** **US D734,729 S**
(45) **Date of Patent:** **** Jul. 21, 2015**

- (54) **LID FOR CABLE ENCLOSURE**
- (71) Applicant: **RGB Systems, Inc.**, Anaheim, CA (US)
- (72) Inventors: **Robert M. Chaloupecky**, Apex, NC (US); **Kate N. Gentle**, Cary, NC (US); **Jaysun Stockdell-Giesler**, Cary, NC (US); **David H. Libman**, Dove Canyon, CA (US)
- (73) Assignee: **RGB Systems, Inc.**, Anaheim, CA (US)
- (**) Term: **14 Years**

D628,099	S	*	11/2010	Libman et al.	D10/49
D638,314	S	*	5/2011	Libman et al.	D10/49
D638,315	S	*	5/2011	Libman et al.	D10/49
D639,680	S	*	6/2011	Libman et al.	D10/49
D639,681	S	*	6/2011	Rodriguez et al.	D10/49
D640,577	S	*	6/2011	Libman et al.	D10/49
D640,939	S	*	7/2011	Libman et al.	D10/49
D640,940	S	*	7/2011	Libman et al.	D10/49
D641,712	S	*	7/2011	Berning et al.	D13/164
D664,050	S	*	7/2012	Rodriguez et al.	D10/49
D678,786	S	*	3/2013	Rodriguez et al.	D10/49
D694,195	S	*	11/2013	Gammon et al.	D13/162
D712,361	S	*	9/2014	Rodriguez et al.	D13/164
2006/0146202	A1	*	7/2006	Ioki et al.	348/739
2014/0265753	A1	*	9/2014	Soper et al.	312/22

* cited by examiner

- (21) Appl. No.: **29/480,814**
- (22) Filed: **Jan. 29, 2014**
- (51) **LOC (10) Cl.** **13-03**
- (52) **U.S. Cl.**
USPC **D13/156; D10/49**
- (58) **Field of Classification Search**
USPC D13/123, 133, 158, 156, 162, 162.1, D13/164, 177, 184, 199; D10/49, 50; D14/126, 336, 371, 374, 389; D6/300, D6/308; 348/184, 739; 361/679.21; 362/85, 561; 700/17, 83; 715/700, 810
See application file for complete search history.

Primary Examiner — Derrick Holland
Assistant Examiner — Jennifer O King
 (74) *Attorney, Agent, or Firm* — The Hecker Law Group, PLC

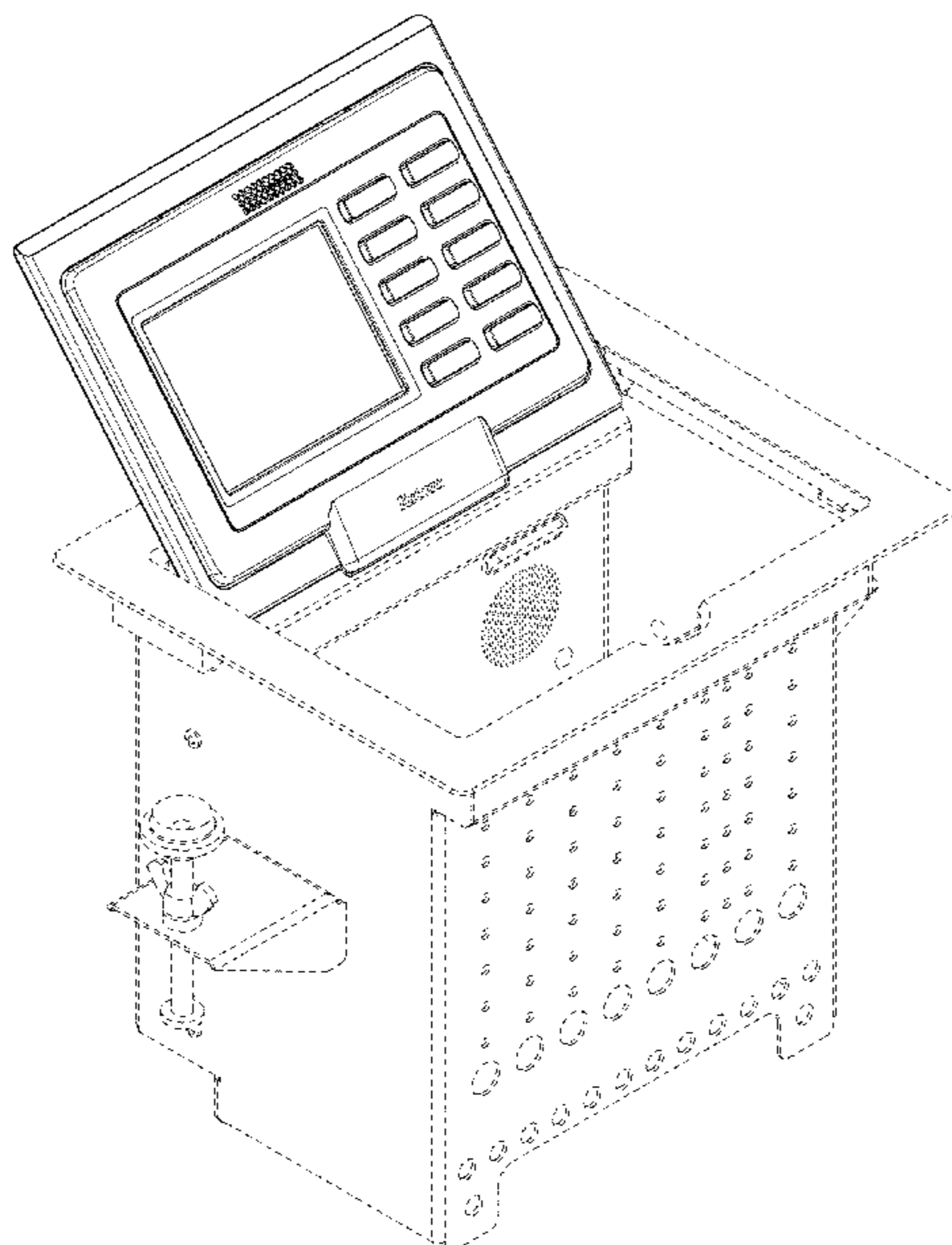
(57) **CLAIM**
 The ornamental design for a lid for cable enclosure, as shown and described.

DESCRIPTION

FIG. 1 is a front right perspective view of a lid for cable enclosure;
 FIG. 2 is a front left perspective view thereof;
 FIG. 3 is a top view thereof;
 FIG. 4 is a right side view thereof;
 FIG. 5 is a left side view thereof;
 FIG. 6 is a front view thereof;
 FIG. 7 is a bottom view thereof; and,
 FIG. 8 is a face view thereof.
 The broken lines shown represent unclaimed subject matter and form no part of the claimed design.

- (56) **References Cited**
 U.S. PATENT DOCUMENTS
 D388,065 S * 12/1997 Kawauchi et al. D14/389
 5,742,476 A * 4/1998 Miyazaki et al. 361/679.21
 D431,199 S * 9/2000 Bennett et al. D10/50
 D457,502 S * 5/2002 Sykes et al. D13/162
 D546,772 S * 7/2007 Venegas et al. D13/162
 D621,794 S * 8/2010 Haeske et al. D13/164
 D626,542 S * 11/2010 Libman et al. D14/305
 D628,097 S * 11/2010 Libman et al. D10/49
 D628,098 S * 11/2010 Libman et al. D10/49

1 Claim, 8 Drawing Sheets



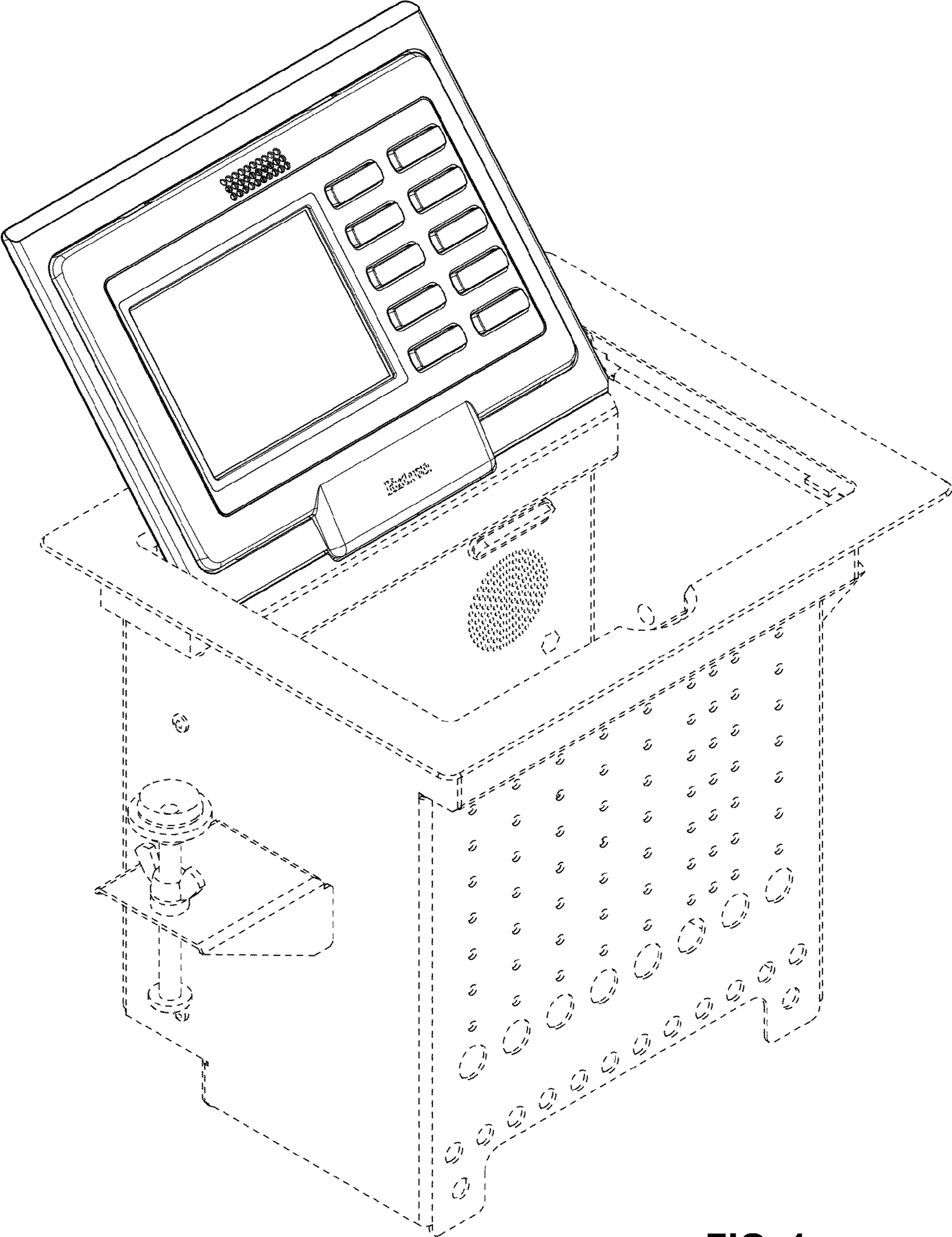


FIG. 1

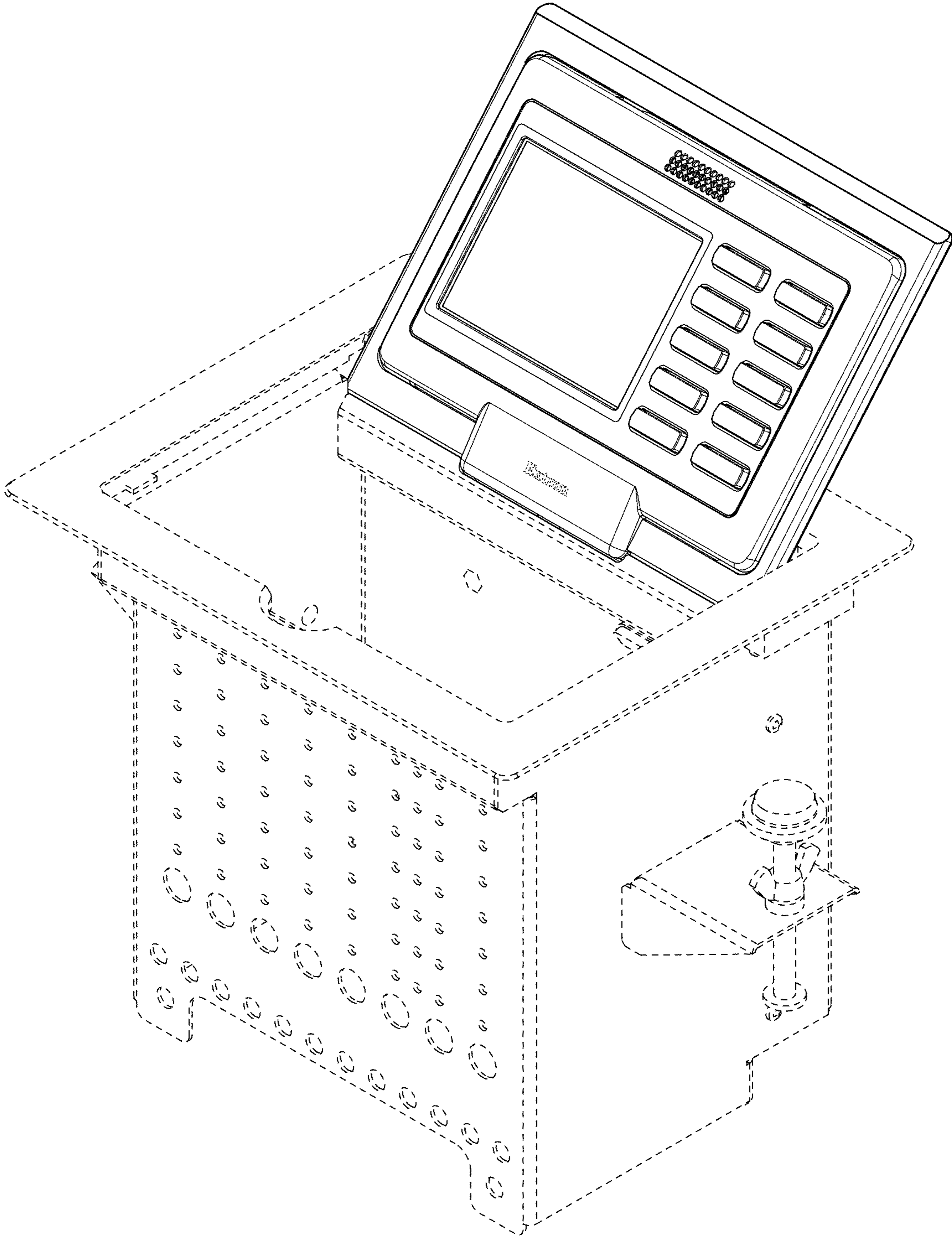


FIG. 2

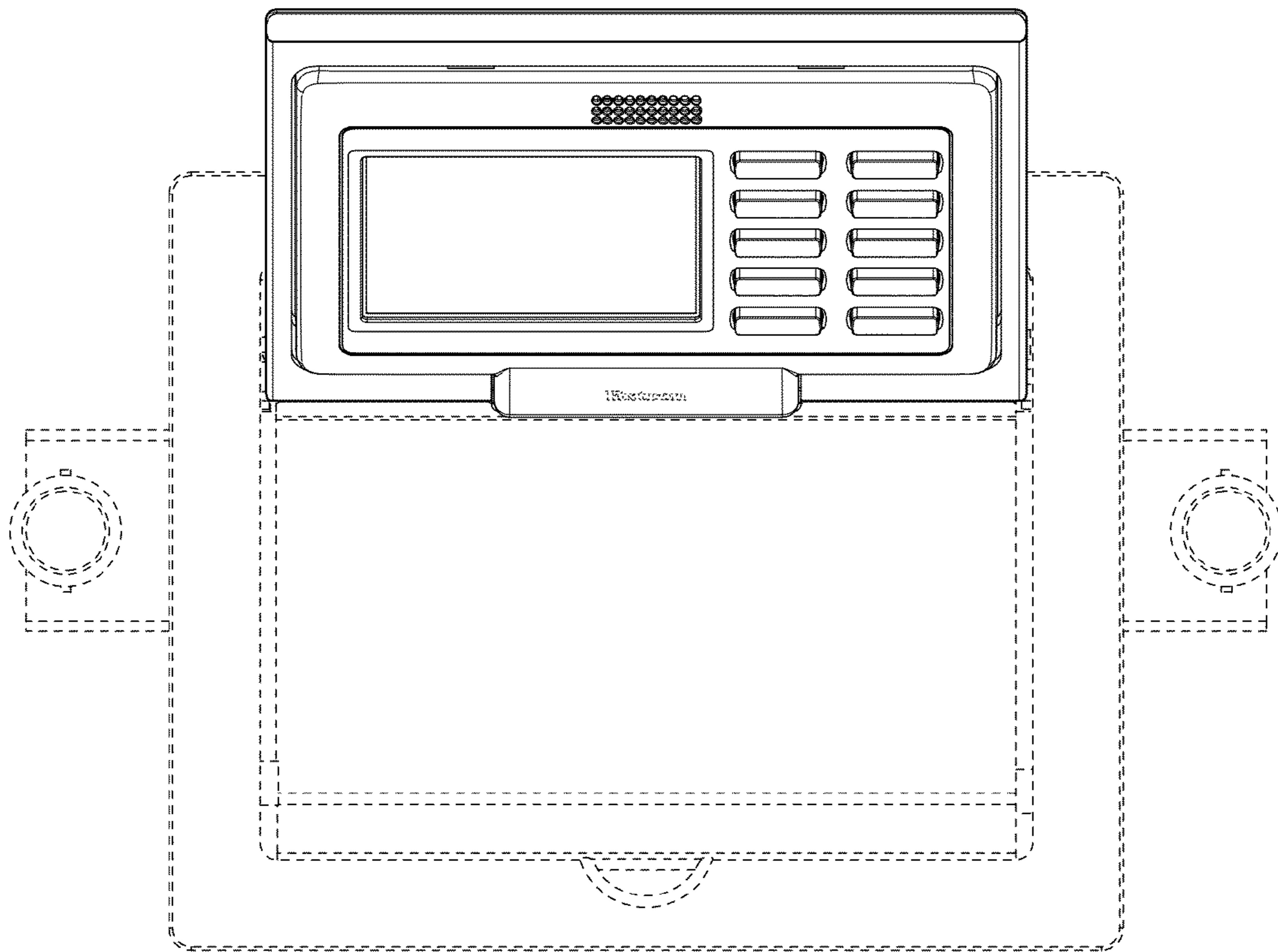


FIG. 3

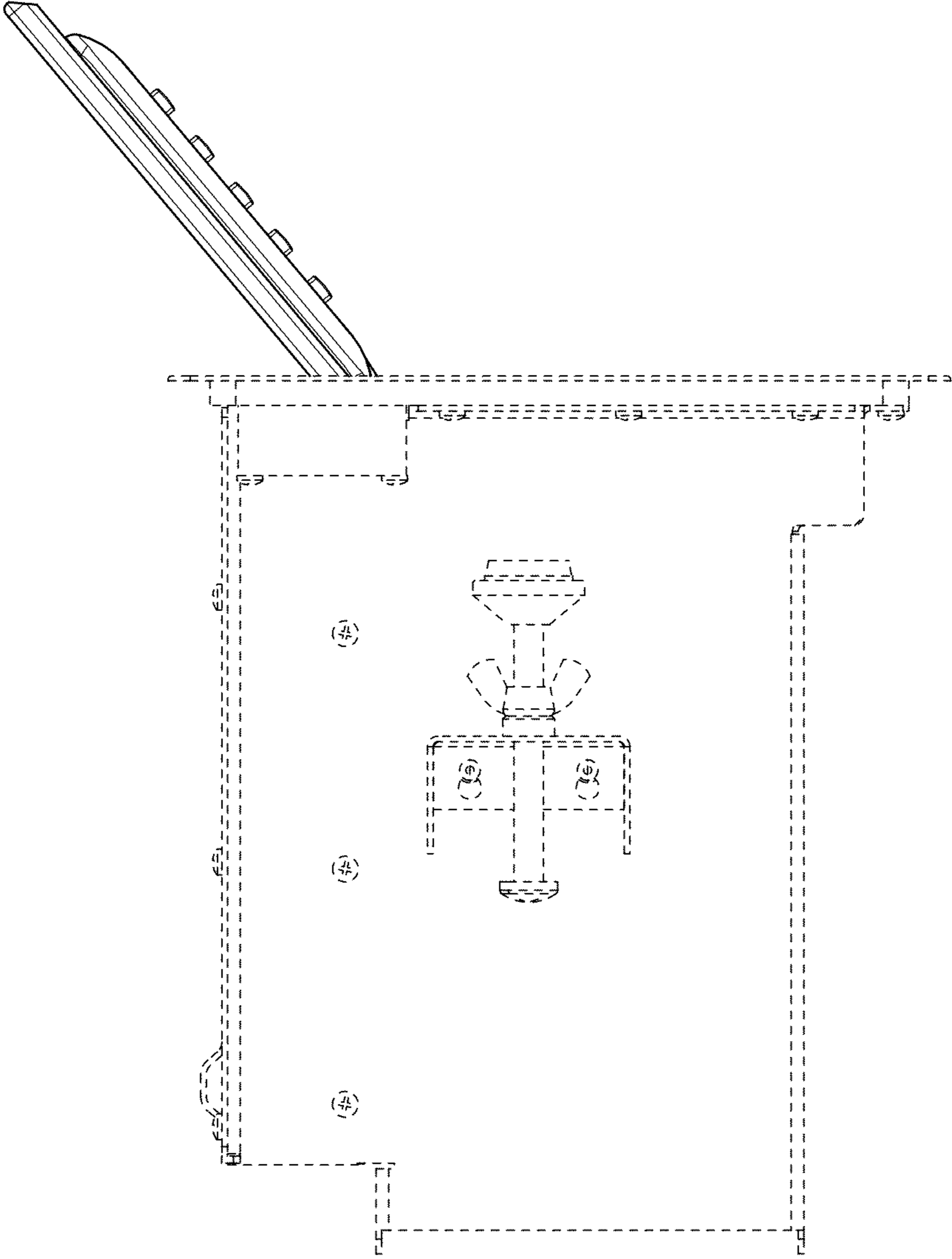


FIG. 4

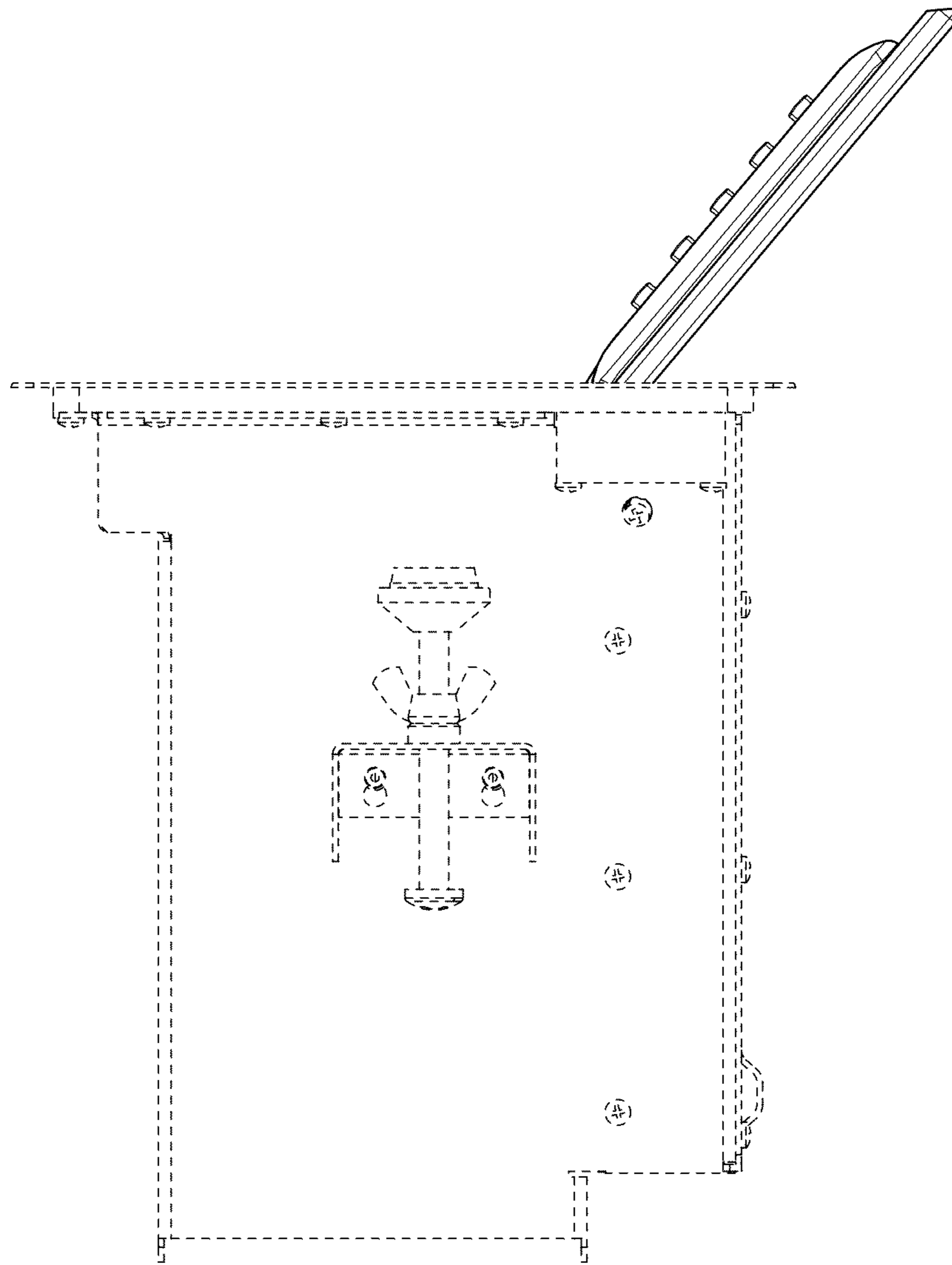


FIG. 5

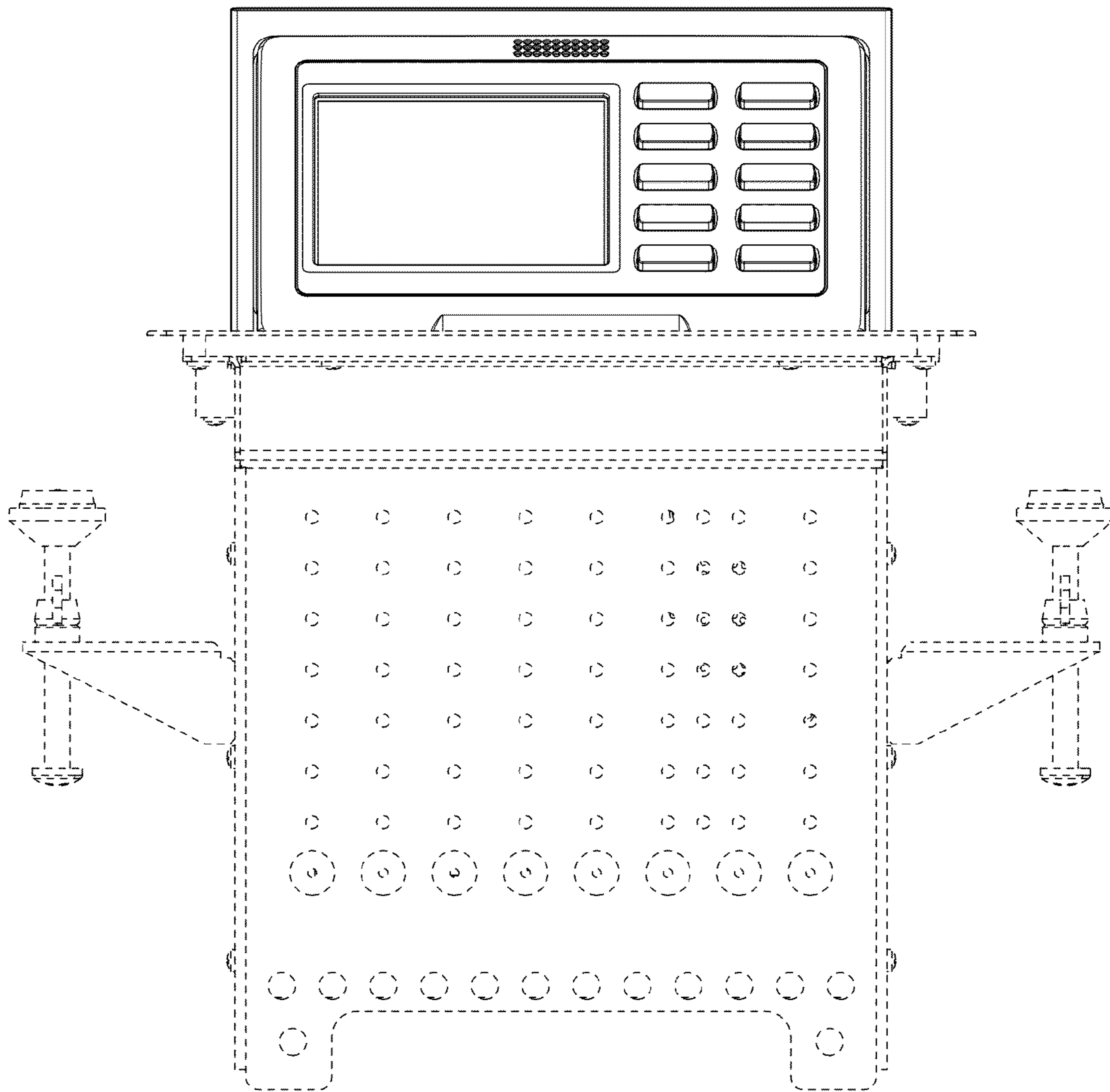


FIG. 6

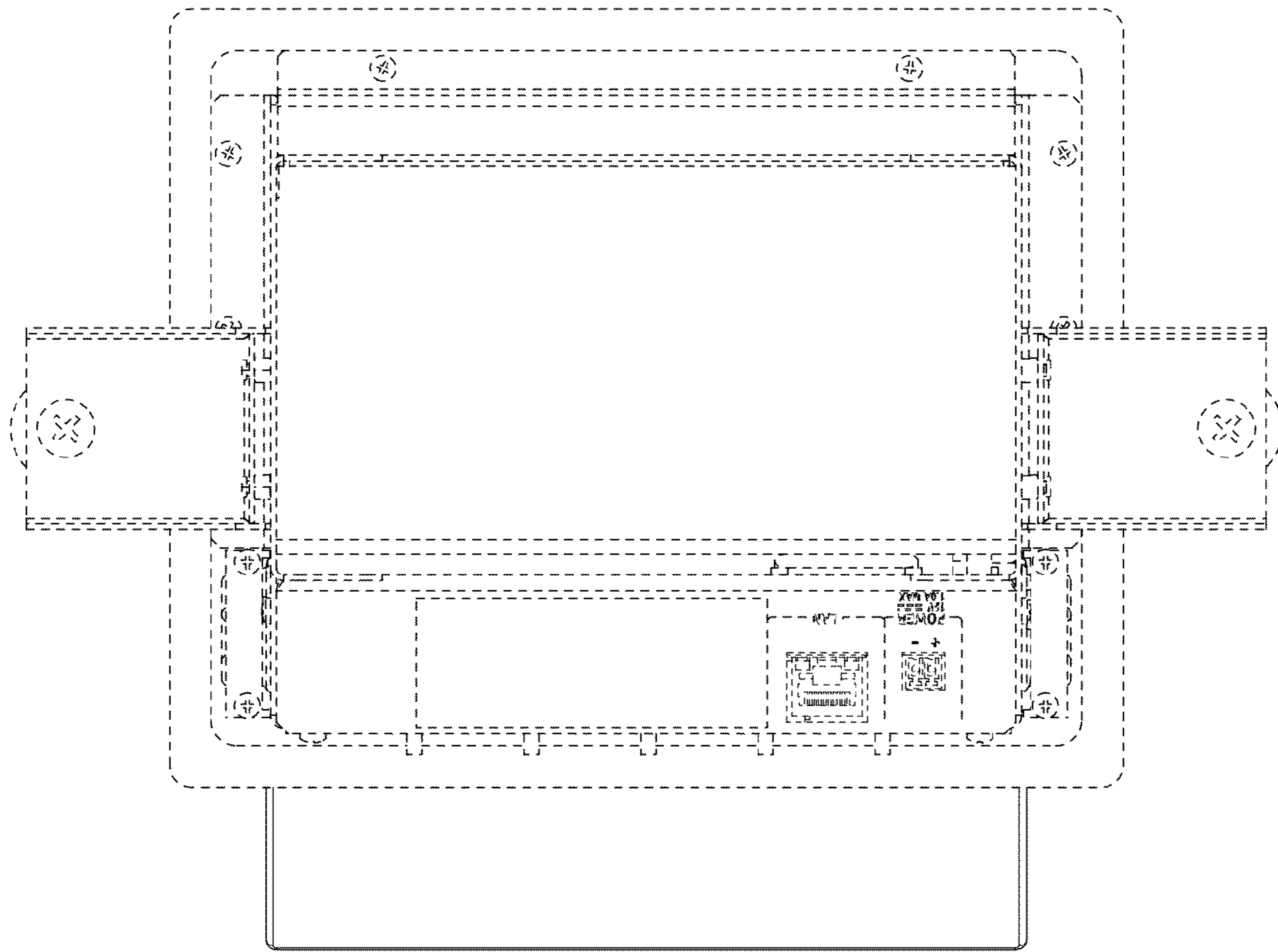


FIG. 7

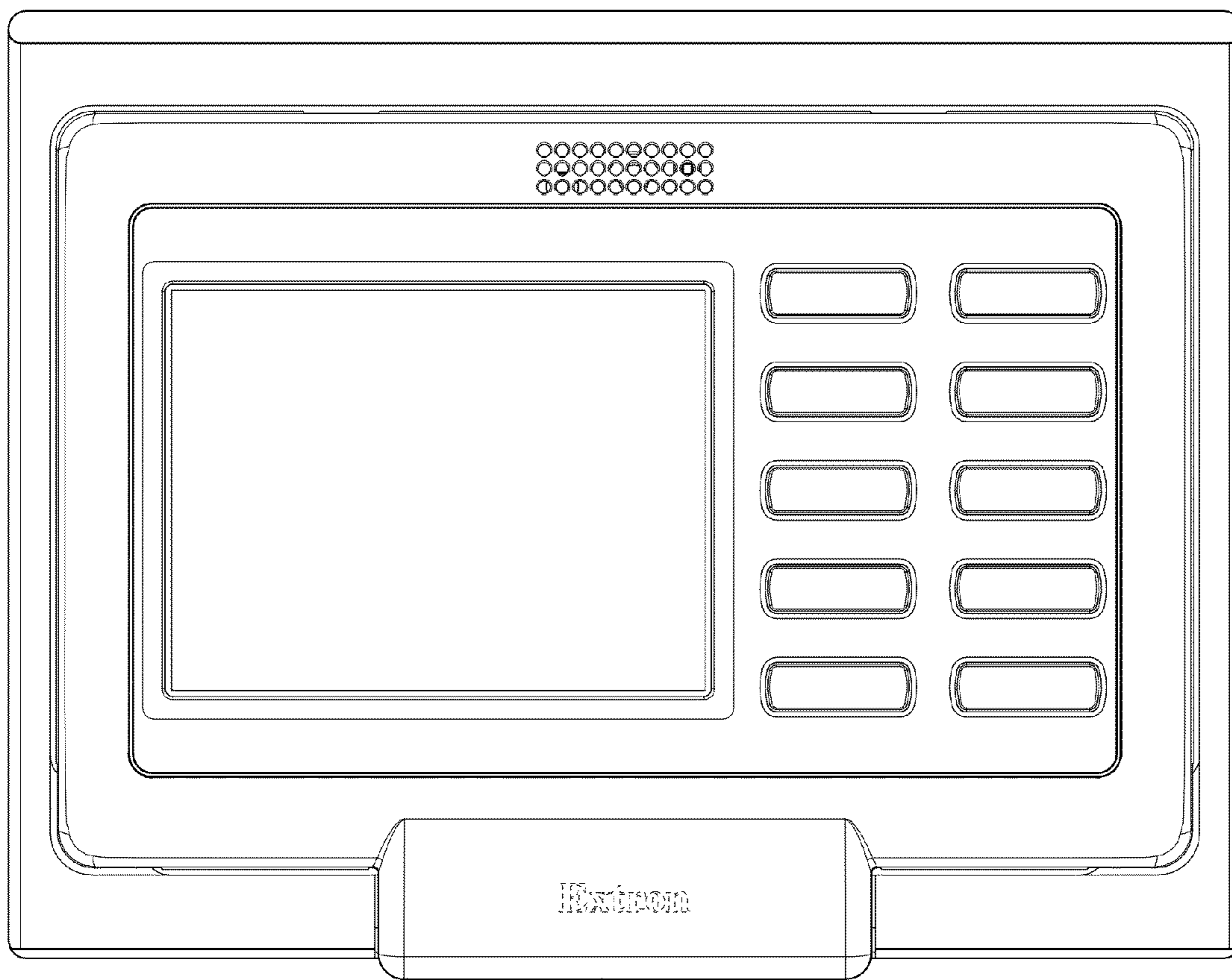


FIG. 8