



US00D734727S

(12) **United States Design Patent**
Andresen et al.

(10) **Patent No.:** **US D734,727 S**
(45) **Date of Patent:** **** Jul. 21, 2015**

(54) **ELECTRICAL HOUSING**

(71) Applicant: **Phoenix Contact GmbH & Co. KG**,
Blomberg (DE)
(72) Inventors: **Jens Andresen**, Blomberg (DE);
Thorsten Diessel, Hiddenhausen (DE);
Dennis Sprenger, Horn-Bad Meinberg
(DE); **Detlef Nehm**,
Schieder-Schwalenberg (DE)
(73) Assignee: **PHOENIX CONTACT GMBH & CO.**
KG, Blomberg (DE)

(**) Term: **14 Years**
(21) Appl. No.: **29/467,296**
(22) Filed: **Sep. 18, 2013**

(30) **Foreign Application Priority Data**
Mar. 19, 2013 (DE) 40 2013 001 374
(51) **LOC (10) Cl.** **13-03**
(52) **U.S. Cl.**
USPC **D13/152**
(58) **Field of Classification Search**
USPC D13/152, 153, 155, 156, 137.1, 137.4,
D13/139.3, 139.2, 133, 184, 103, 110;
220/3.2, 3.3, 3.4-3.9, 3.92, 3.94;
174/58, 50.56, 51; 439/675, 668, 623,
439/378

See application file for complete search history.

(56) **References Cited**

U.S. PATENT DOCUMENTS

D680,083 S * 4/2013 Olson D13/156
D699,179 S * 2/2014 Alexander D13/103
D703,135 S * 4/2014 Dasbach D13/110
2013/0252458 A1* 9/2013 Krome et al. 439/378

* cited by examiner

Primary Examiner — Holly Baynham

Assistant Examiner — Rhea Shields

(74) *Attorney, Agent, or Firm* — Leydig, Voit & Mayer, Ltd.

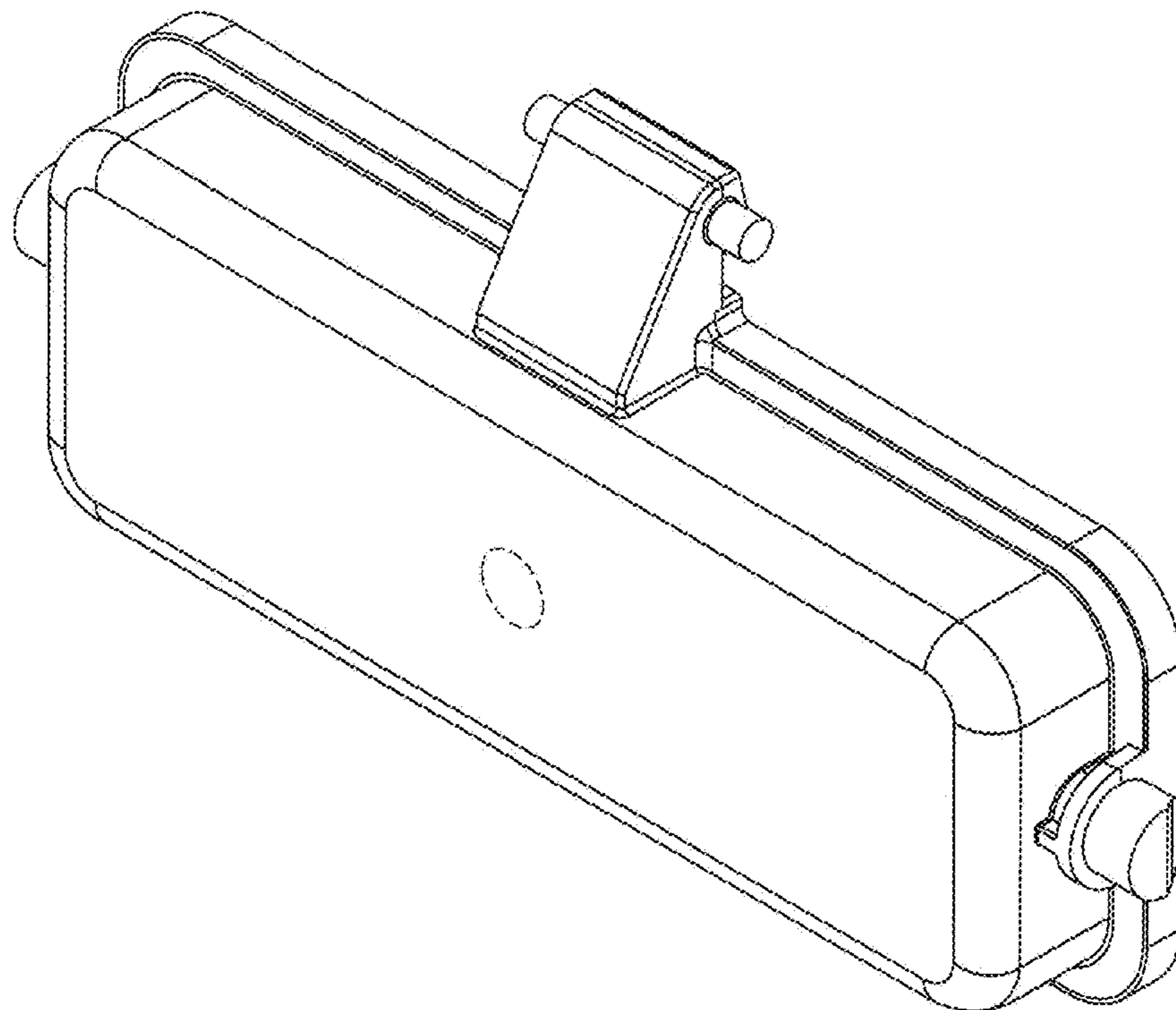
(57) **CLAIM**

The ornamental design for an electrical housing, as shown and described.

DESCRIPTION

FIG. 1 is a top left front perspective view of the electrical housing showing our new design;
FIG. 2 is a bottom plan view thereof;
FIG. 3 is a front elevational view thereof;
FIG. 4 is a left side elevational view thereof;
FIG. 5 is a rear elevational view thereof;
FIG. 6 is a right side elevational view thereof; and,
FIG. 7 is a top plan view thereof.
In the drawings, the broken lines depict unclaimed subject matter only and form no part of the claimed design.

1 Claim, 7 Drawing Sheets



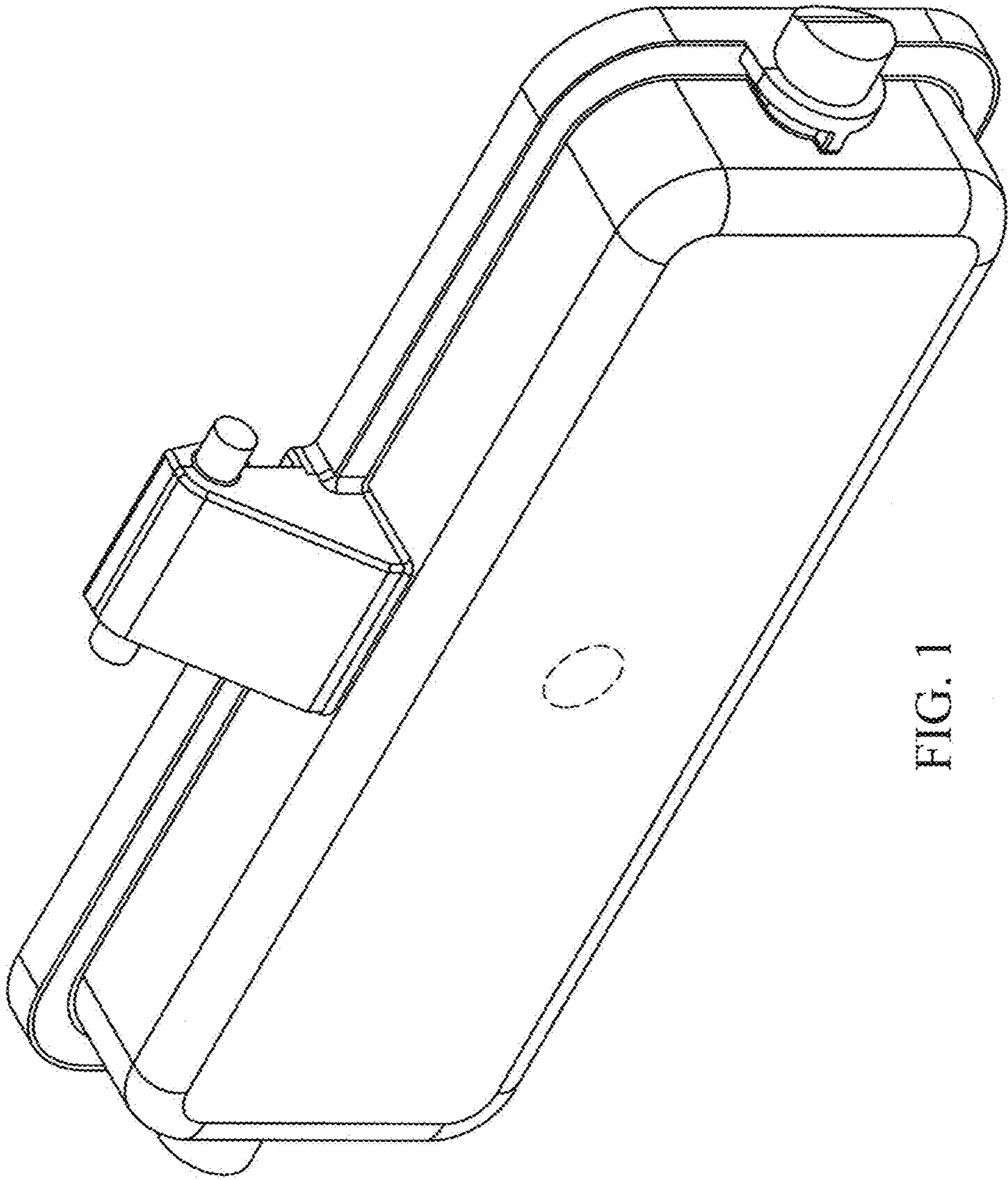


FIG. 1

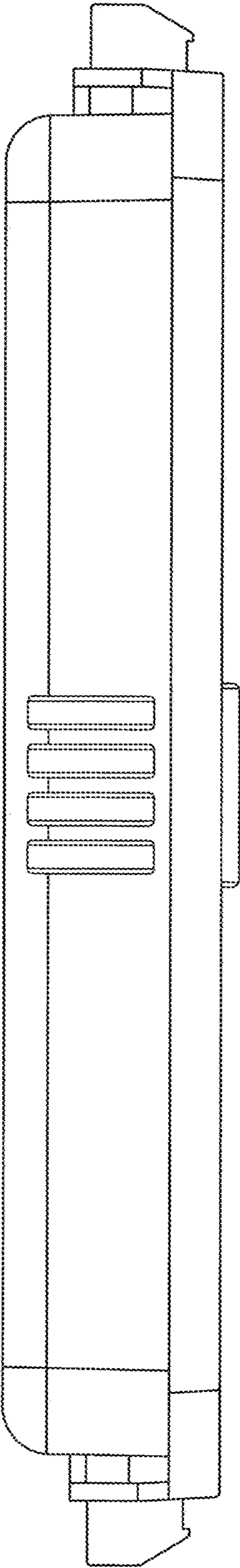


FIG. 2

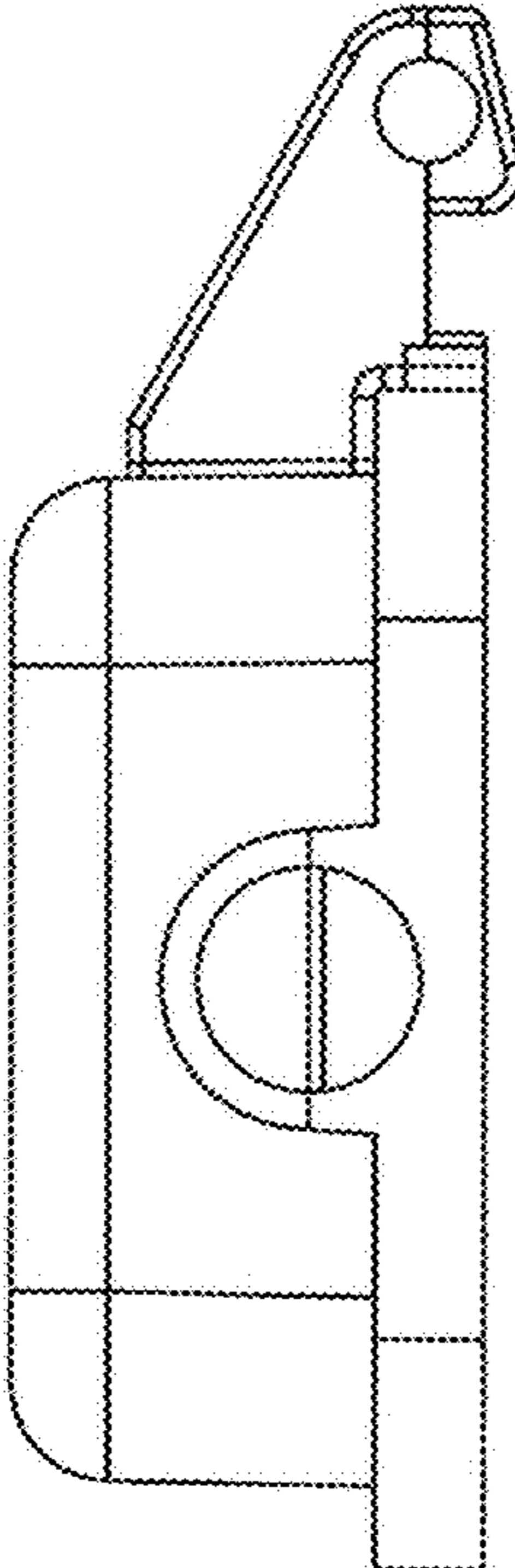


FIG. 3

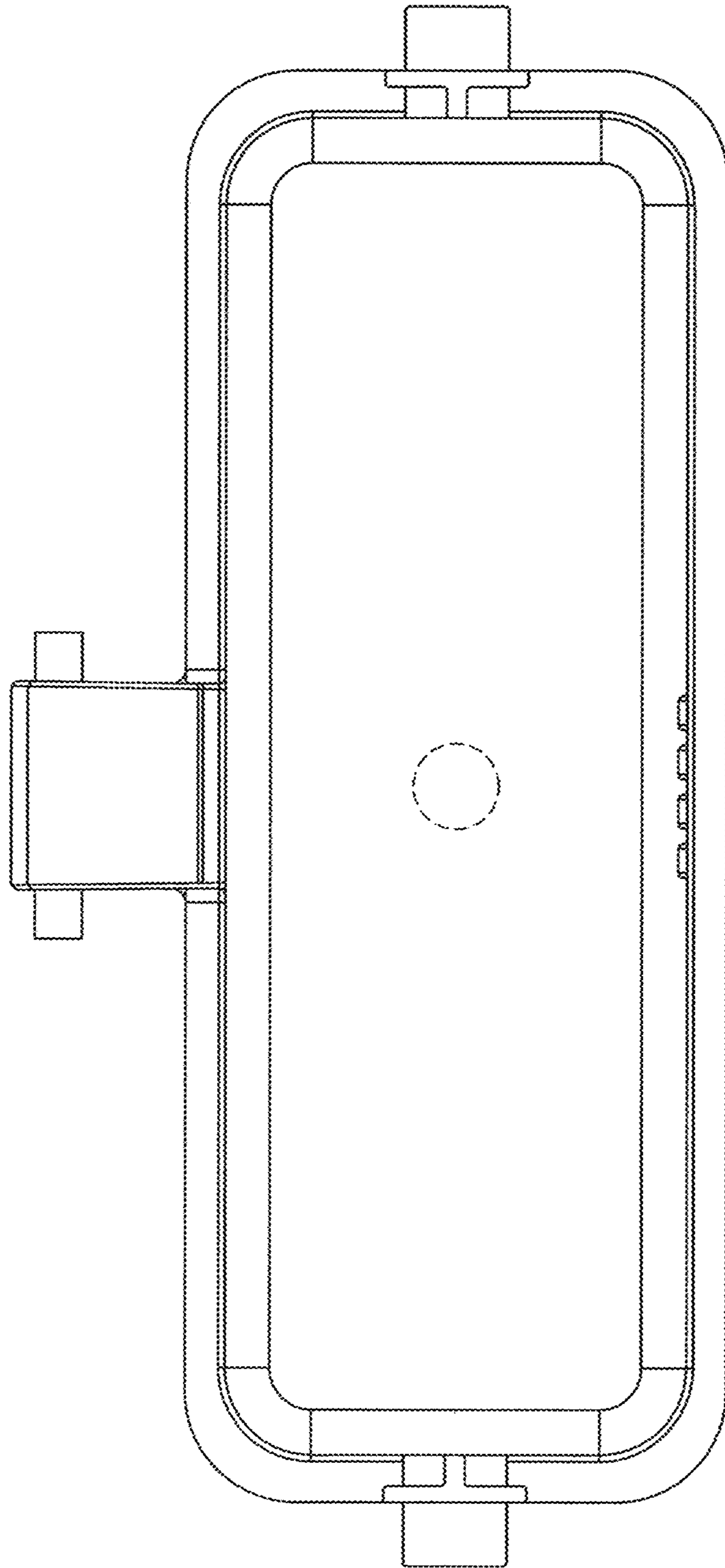


FIG. 4

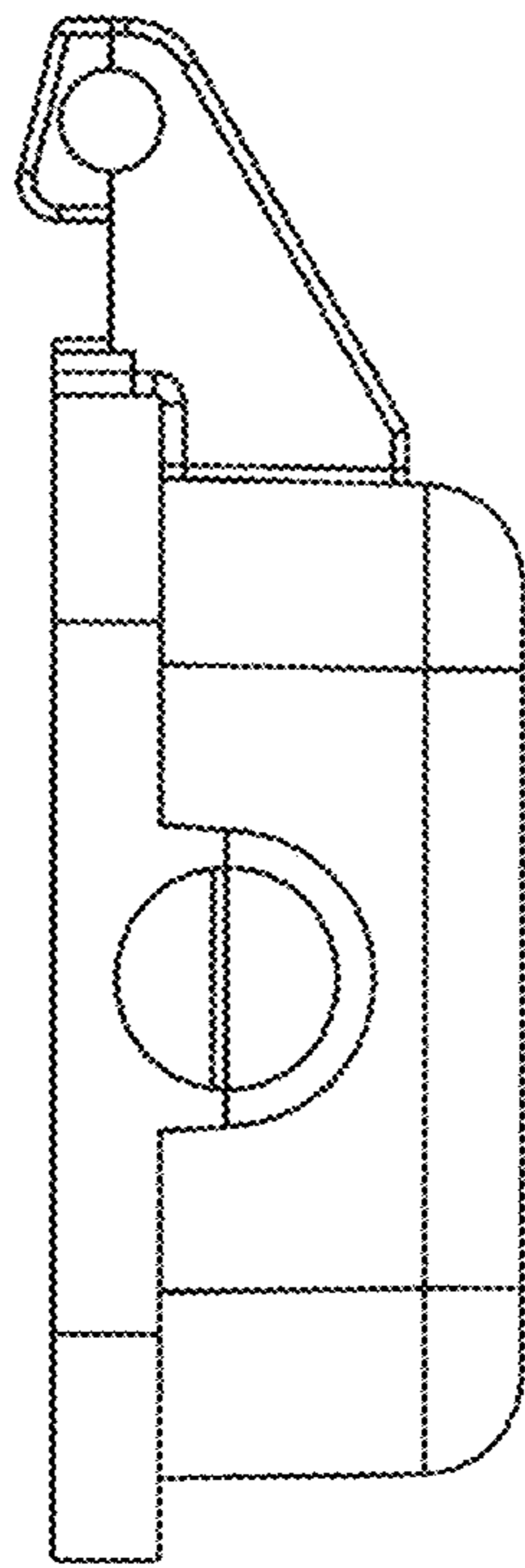


FIG. 5

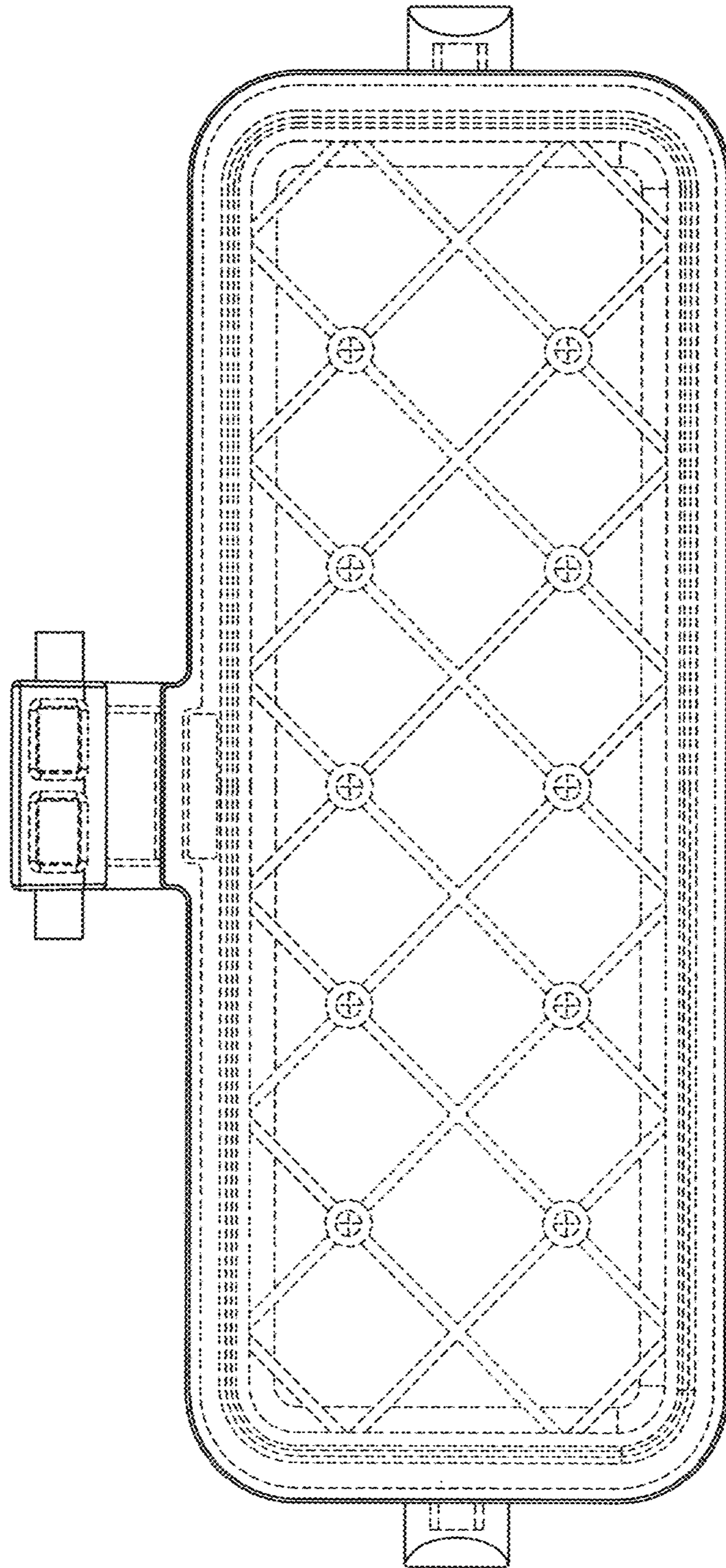


FIG. 6

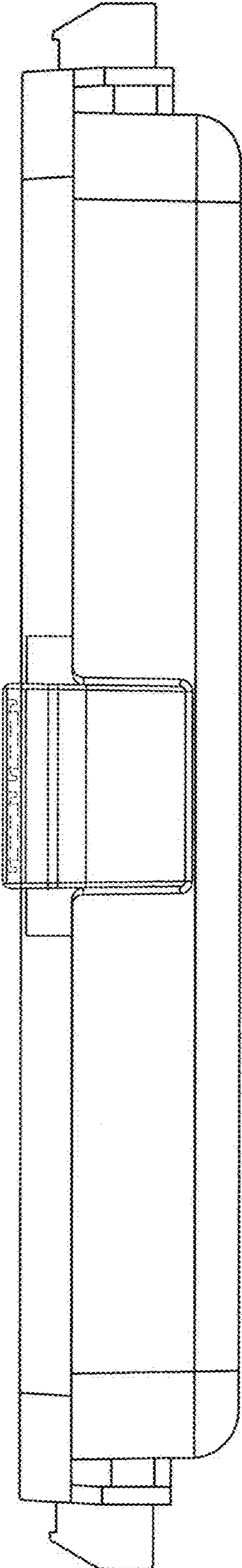


FIG. 7