



US00D734726S

(12) **United States Design Patent**
Nook et al.

(10) **Patent No.:** **US D734,726 S**
(45) **Date of Patent:** **** Jul. 21, 2015**

- (54) **ELECTRICAL CONNECTOR**
- (71) Applicant: **THE NOCO COMPANY**, Glenwillow, OH (US)
- (72) Inventors: **Jonathan Lewis Nook**, Gates Mills, OH (US); **William Knight Nook, Sr.**, Shaker Heights, OH (US); **James Richard Stanfield**, Peoria, AZ (US); **Derek Michael Underhill**, Tempe, AZ (US)
- (73) Assignee: **THE NOCO COMPANY**, Glenwillow, OH (US)
- (**) Term: **14 Years**
- (21) Appl. No.: **29/486,672**
- (22) Filed: **Apr. 1, 2014**
- (51) **LOC (10) Cl.** **13-03**
- (52) **U.S. Cl.**
USPC **D13/149**
- (58) **Field of Classification Search**
USPC D13/107, 133, 146, 147, 154, 184, 199, D13/148, 156, 149; 439/607.01, 607.04, 439/607.17, 607.25, 607.34, 607.53, 660, 439/677, 680, 682, 686; 174/17 R, 84 C
See application file for complete search history.

D524,736 S *	7/2006	Morita et al.	D13/133
D552,560 S *	10/2007	Victor	D13/154
D555,594 S *	11/2007	So	D13/133
D586,750 S *	2/2009	Li	D13/133
D593,959 S *	6/2009	Victor	D13/156
D596,125 S *	7/2009	Norin et al.	D13/133
D627,730 S *	11/2010	Huang et al.	D13/146
D643,815 S *	8/2011	Mark et al.	D13/133
D678,202 S *	3/2013	Corona	D13/133
D708,140 S *	7/2014	Nook et al.	D13/133
D713,342 S *	9/2014	Jacobs et al.	D13/133

* cited by examiner

Primary Examiner — Derrick Holland
Assistant Examiner — Jennifer O King

(74) *Attorney, Agent, or Firm* — Vorys, Sater, Seymour and Pease LLP; William L. Klima

(57) **CLAIM**

The ornamental design for an electrical connector, as shown and described.

DESCRIPTION

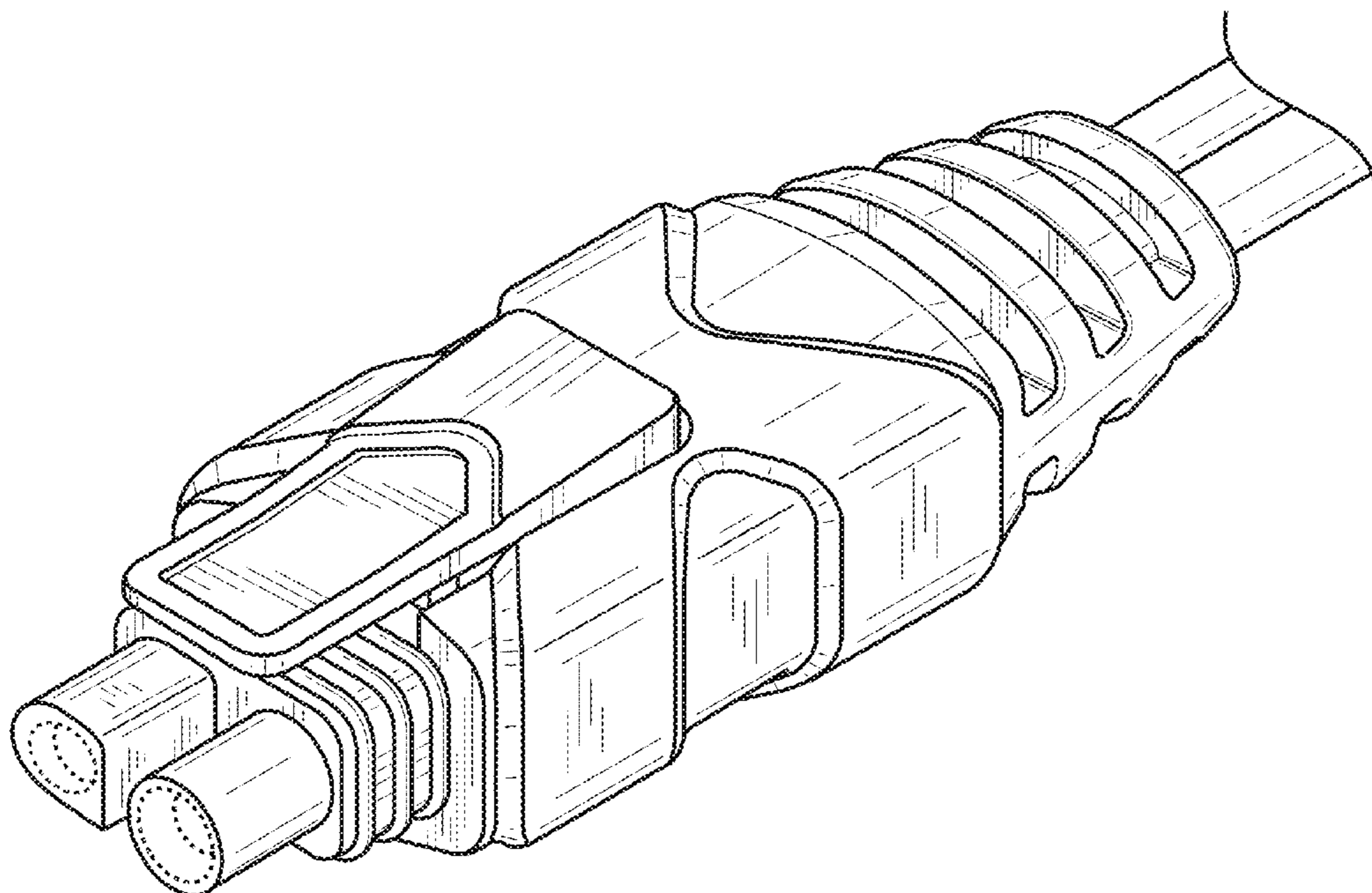
FIG. 1 is a perspective view for a electrical connector; FIG. 2 is a top plan view thereof; FIG. 3 is a bottom plan view thereof; FIG. 4 is a right-side view thereof view; FIG. 5 is a left-side view thereof; FIG. 6 is a front elevational view thereof; and, FIG. 7 is a rear elevational view thereof. The broken lines shown represent unclaimed subject matter and form no part of the claimed design.

(56) **References Cited**

U.S. PATENT DOCUMENTS

3,020,518 A *	2/1962	Camping et al.	439/687
D318,718 S *	7/1991	Blatt	D23/262

1 Claim, 4 Drawing Sheets



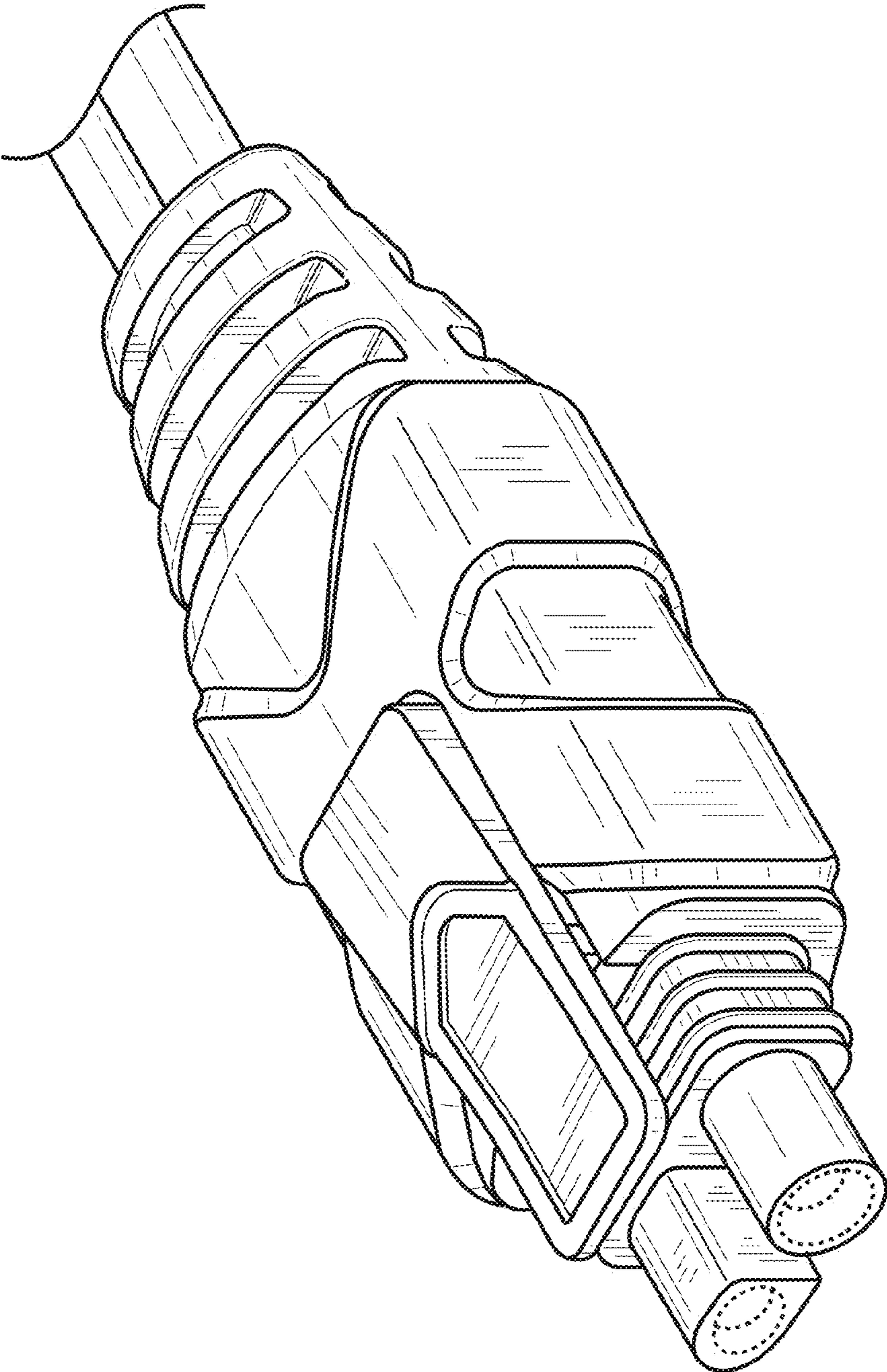


FIG. 1

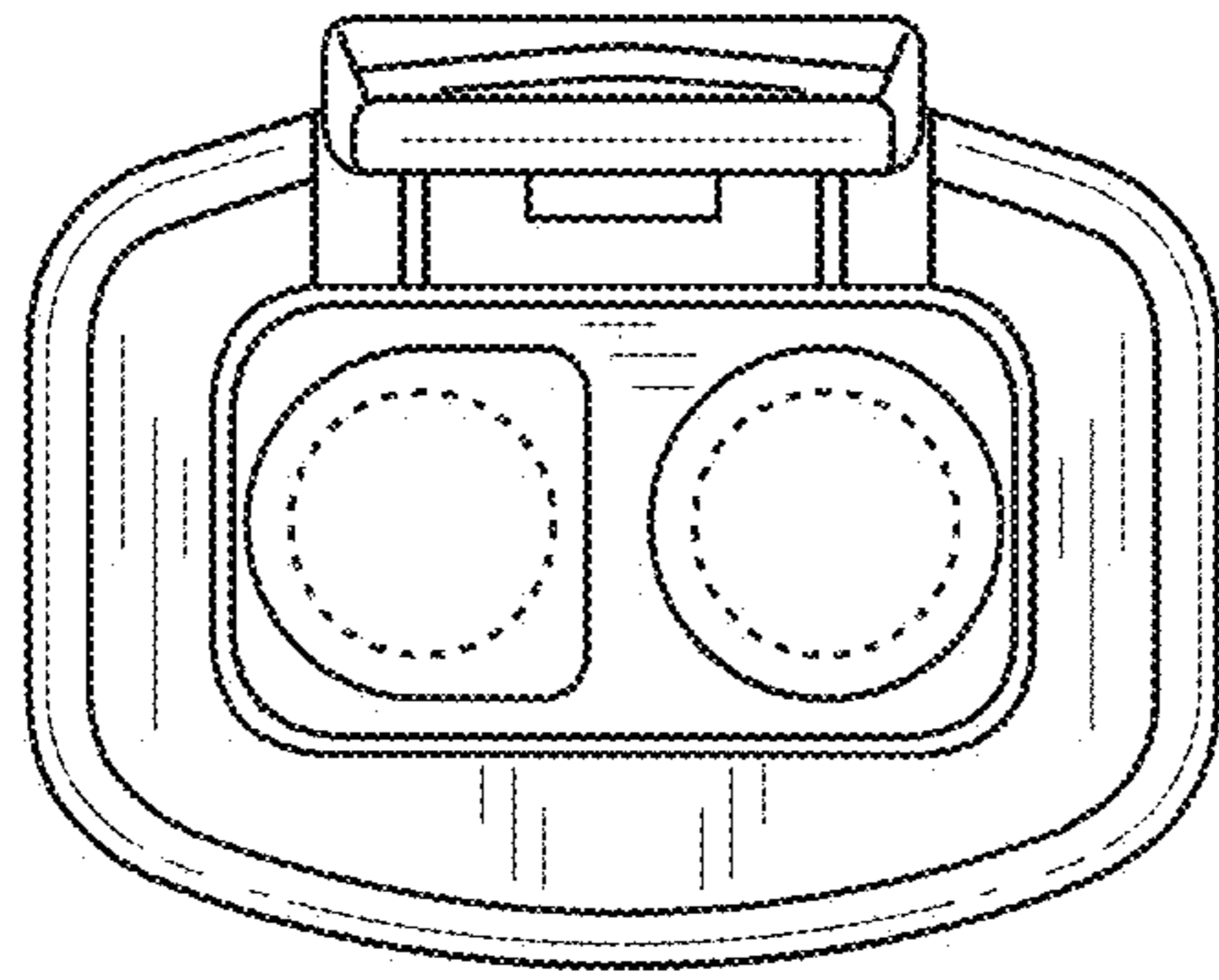


FIG. 2

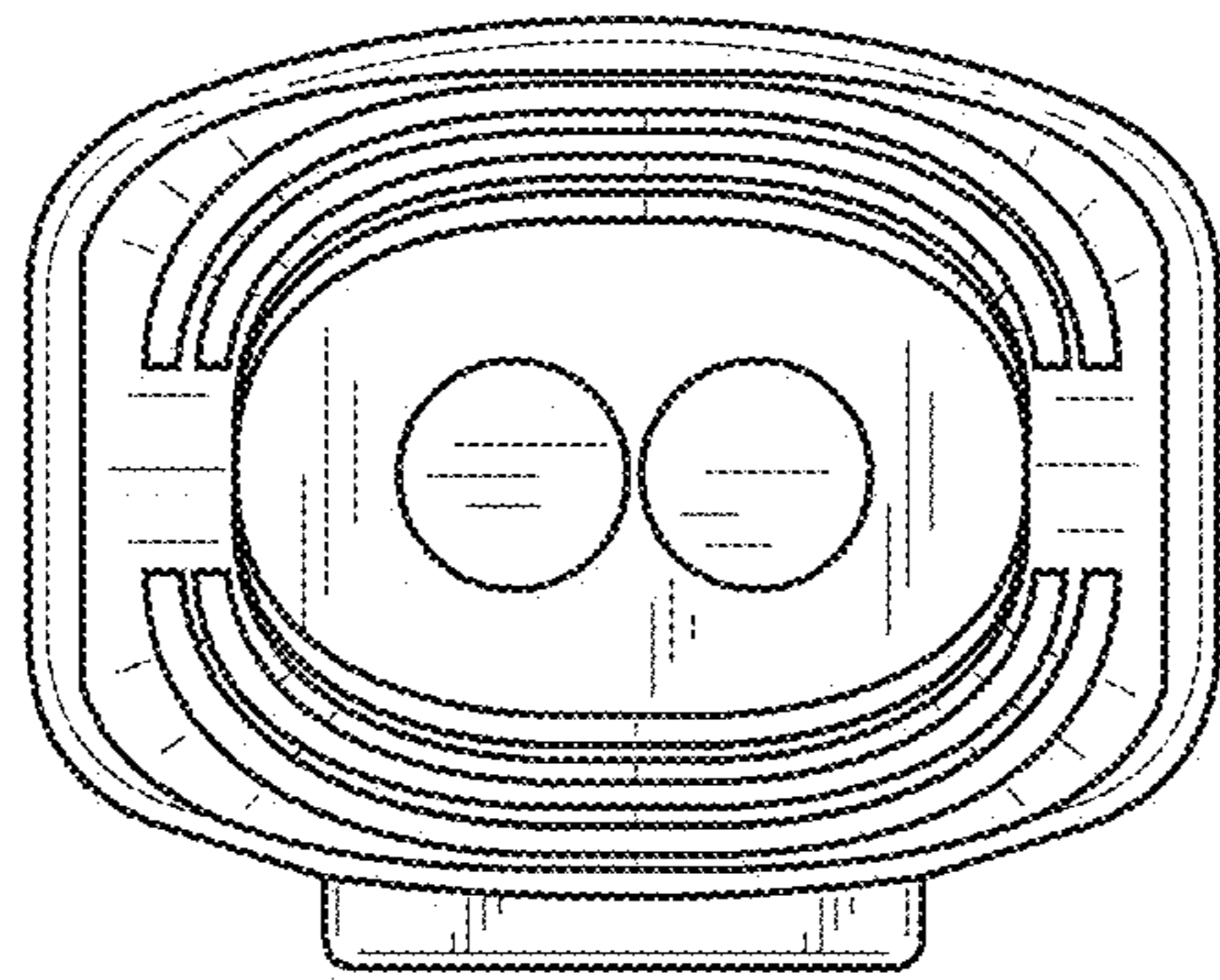


FIG. 3

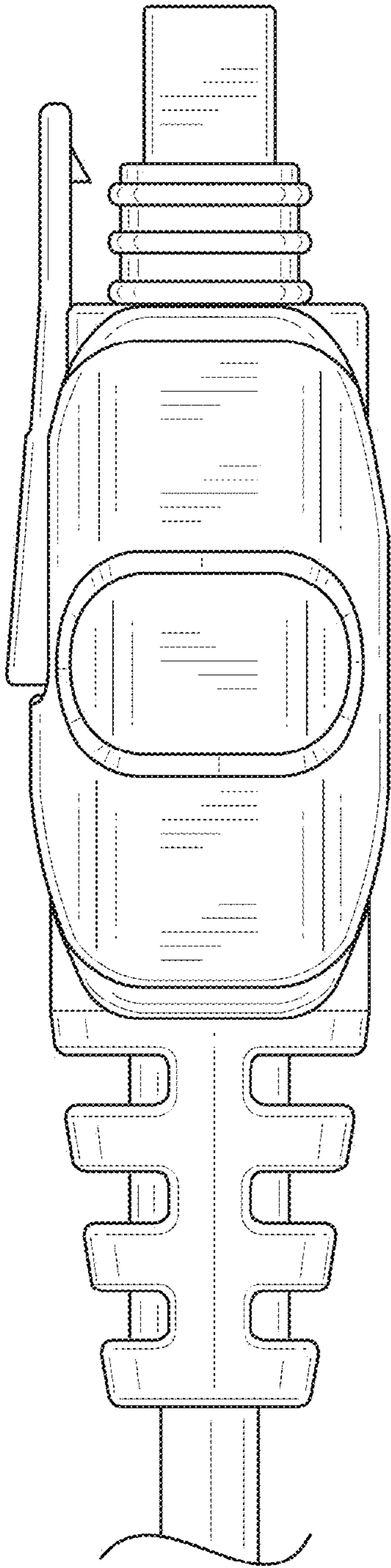


FIG. 4

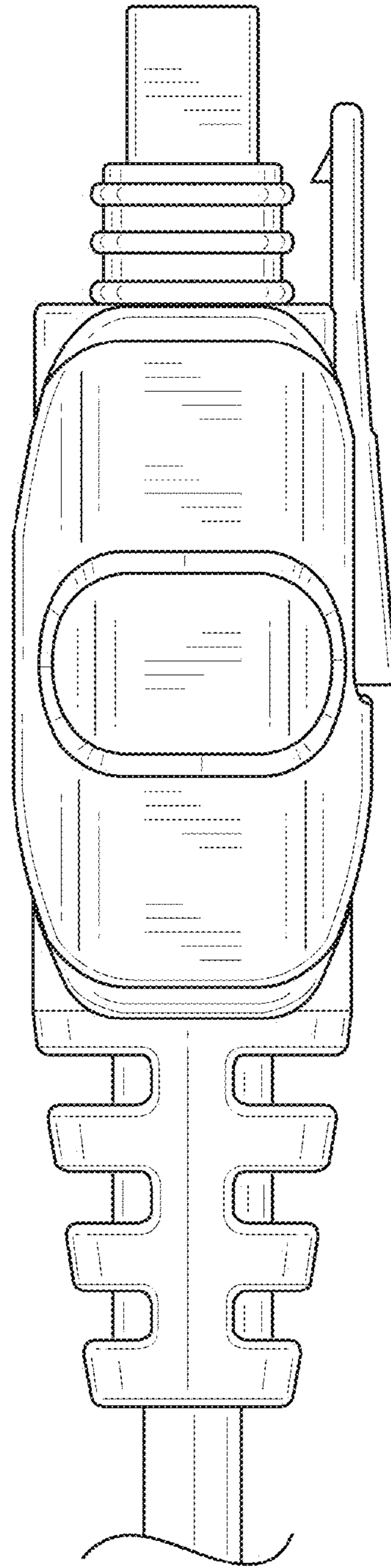


FIG. 5

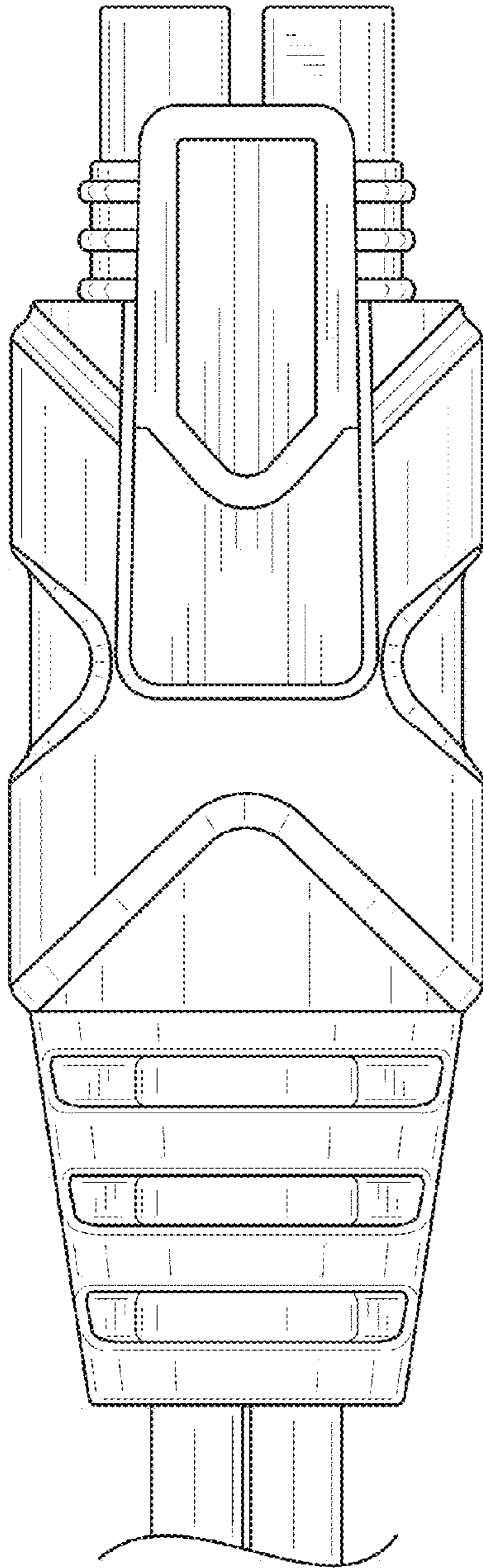


FIG. 6

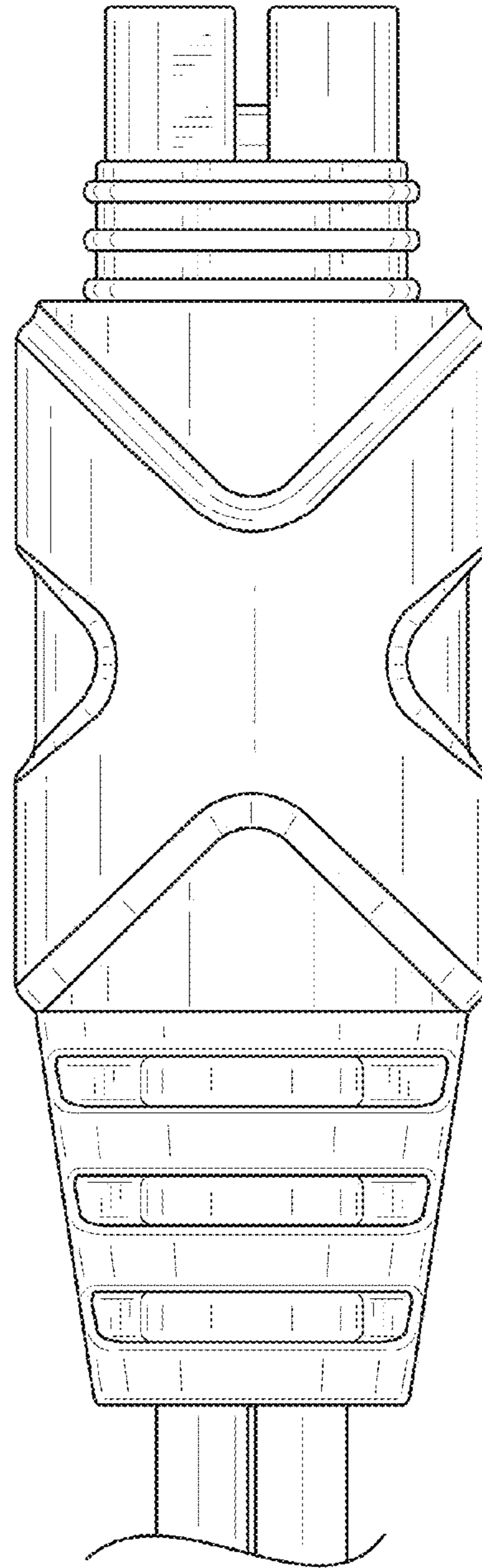


FIG. 7