



US00D734725S

(12) **United States Design Patent**
Pickens et al.

(10) **Patent No.:** **US D734,725 S**
(45) **Date of Patent:** **** Jul. 21, 2015**

(54) **BATTERY PACK TO USB RECEPTACLE**
(71) Applicant: **Custom LeatherCraft Manufacturing Co., Inc.**, South Gate, CA (US)
(72) Inventors: **Ron A. Pickens**, Owasso, OK (US); **Matthew D. Noble**, Los Angeles, CA (US)
(73) Assignee: **Custom LeatherCraft Manufacturing Company, Inc.**, South Gate, CA (US)
(**) Term: **14 Years**

D640,975	S	*	7/2011	Okuda et al.	D13/103
D643,809	S	*	8/2011	Okuda et al.	D13/103
D657,307	S	*	4/2012	Zhao	D13/103
D658,578	S	*	5/2012	Davis	D13/103
D660,238	S	*	5/2012	Chiang	D13/146
D666,144	S	*	8/2012	Brand et al.	D13/103
D682,194	S	*	5/2013	Jiang et al.	D13/103
D685,730	S	*	7/2013	Hamm et al.	D13/103
D699,671	S	*	2/2014	Walz et al.	D13/103
D700,138	S	*	2/2014	Walz et al.	D13/103
2011/0093840	A1	*	4/2011	Pynenburg et al.	717/168
2014/0049208	A1	*	2/2014	Carkner et al.	320/103
2014/0097796	A1	*	4/2014	Law	320/110
2014/0191705	A1	*	7/2014	Takao et al.	320/103
2014/0191724	A1	*	7/2014	Wojcik et al.	320/114
2014/0195180	A1	*	7/2014	Wojcik et al.	702/63

(21) Appl. No.: **29/467,905**

* cited by examiner

(22) Filed: **Sep. 25, 2013**

Primary Examiner — Holly Baynham

(51) **LOC (10) Cl.** **13-03**

Assistant Examiner — Rhea Shields

(52) **U.S. Cl.**
USPC **D13/139.1**

(58) **Field of Classification Search**
USPC D13/139.1, 103, 146, 119, 110; 702/63;
320/110, 103, 114; D14/217; 717/168
CPC H02J 7/0045; Y02E 60/12; G06F 8/65;
G01R 31/3648
See application file for complete search history.

(57) **CLAIM**

The ornamental design(s) for the battery pack to USB receptacle, as shown.

DESCRIPTION

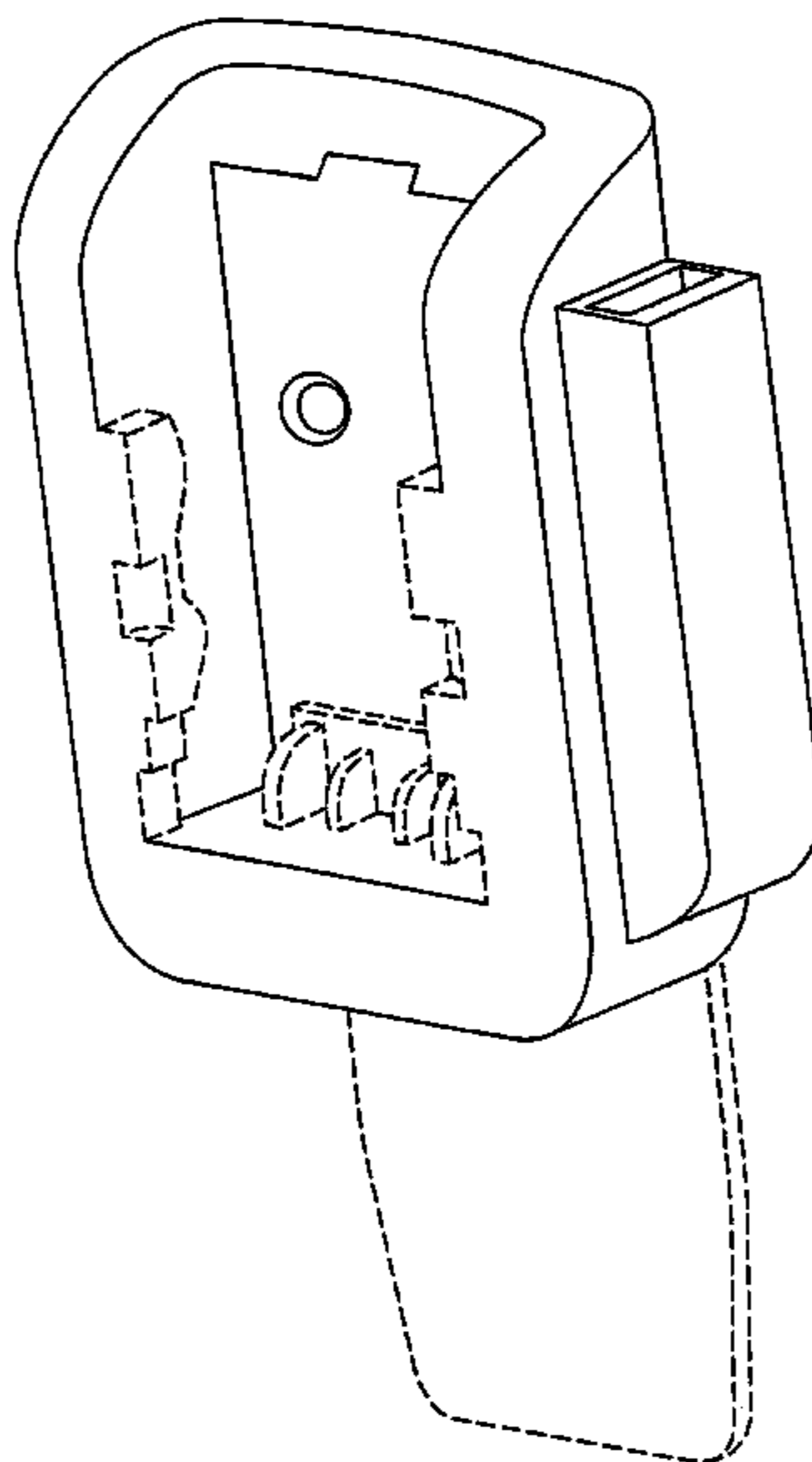
FIG. 1 is a perspective view of a battery pack to USB receptacle showing the new design;
FIG. 2 is a front view of the battery pack to USB receptacle;
FIG. 3 is a left side view of the battery pack to USB receptacle;
FIG. 4 is a right side view of the battery pack to USB receptacle;
FIG. 5 is a rear view of the battery pack to USB receptacle;
FIG. 6 is a top view of the battery pack to USB receptacle;
and,
FIG. 7 is a bottom view of the battery pack to USB receptacle.
In the drawings, the broken lines depict unclaimed subject matter only and form no part of the claimed design.

(56) **References Cited**

U.S. PATENT DOCUMENTS

D310,367	S	*	9/1990	Dockery	D14/217
D323,642	S	*	2/1992	Liao	D13/119
D327,868	S	*	7/1992	Oka	D13/110
D335,277	S	*	5/1993	Hattori	D13/103
D372,896	S	*	8/1996	Nagele et al.	D13/103
D435,827	S	*	1/2001	Rausch et al.	D13/103
D460,411	S	*	7/2002	Wang	D13/103
D489,325	S	*	5/2004	Nakamura	D13/110
D545,759	S	*	7/2007	Ino et al.	D13/103
D546,277	S	*	7/2007	Andre et al.	D13/103
D640,628	S	*	6/2011	Lopano et al.	D13/103

1 Claim, 7 Drawing Sheets



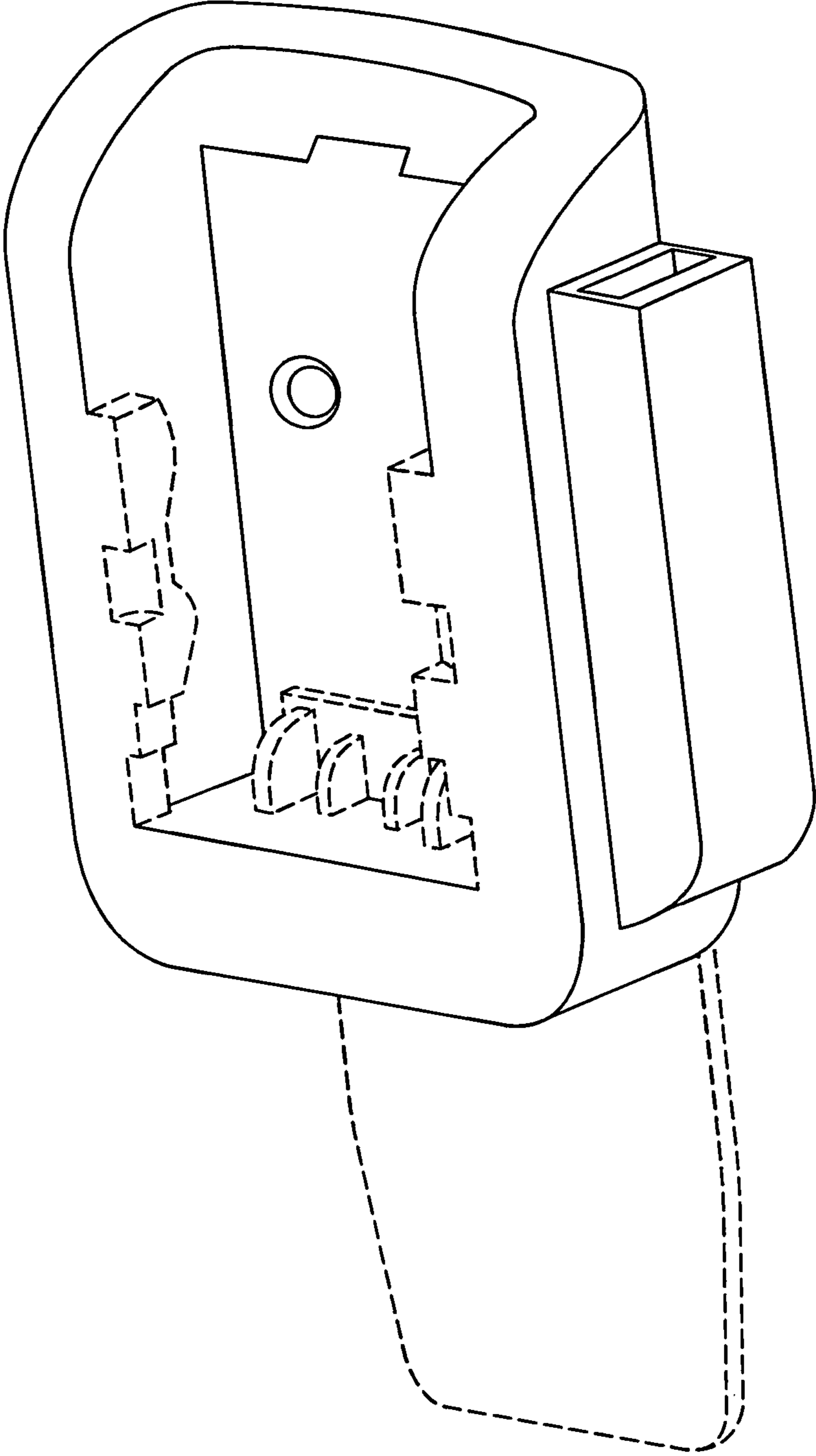


FIG. 1

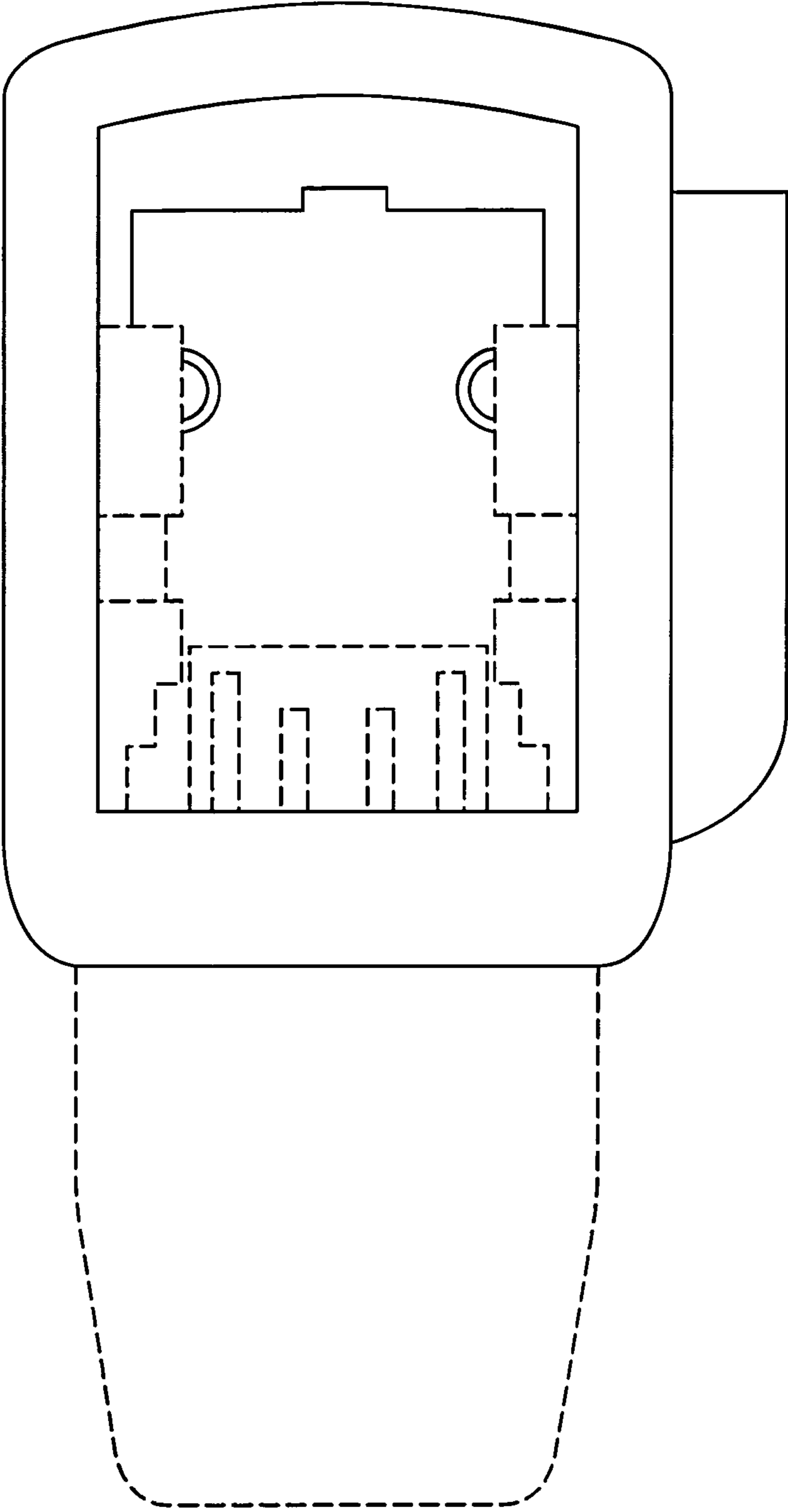


FIG. 2

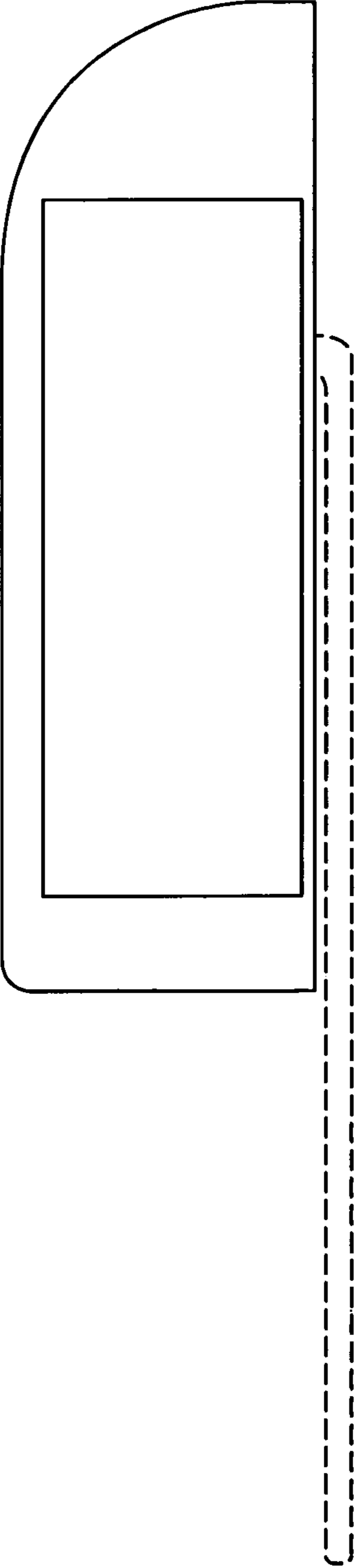


FIG.3

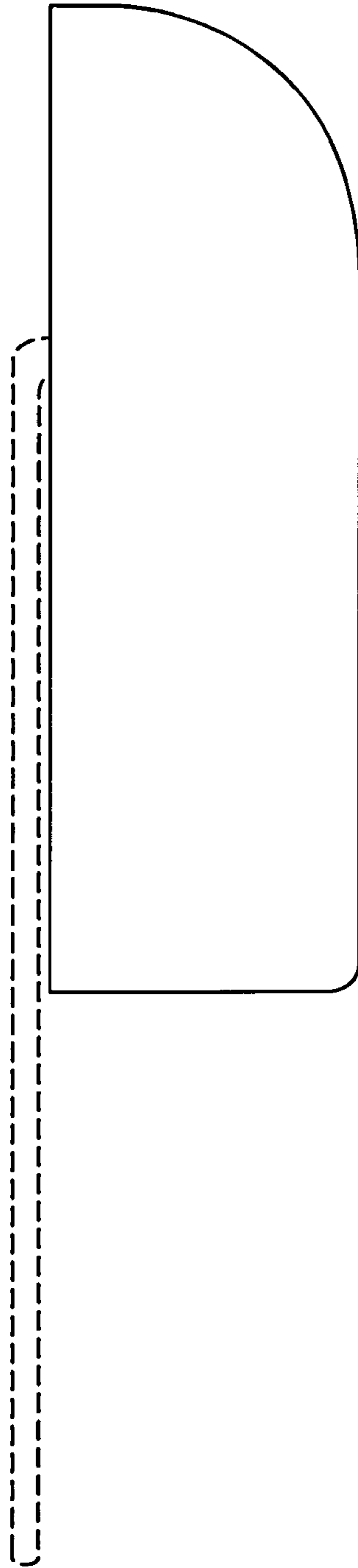


FIG.4

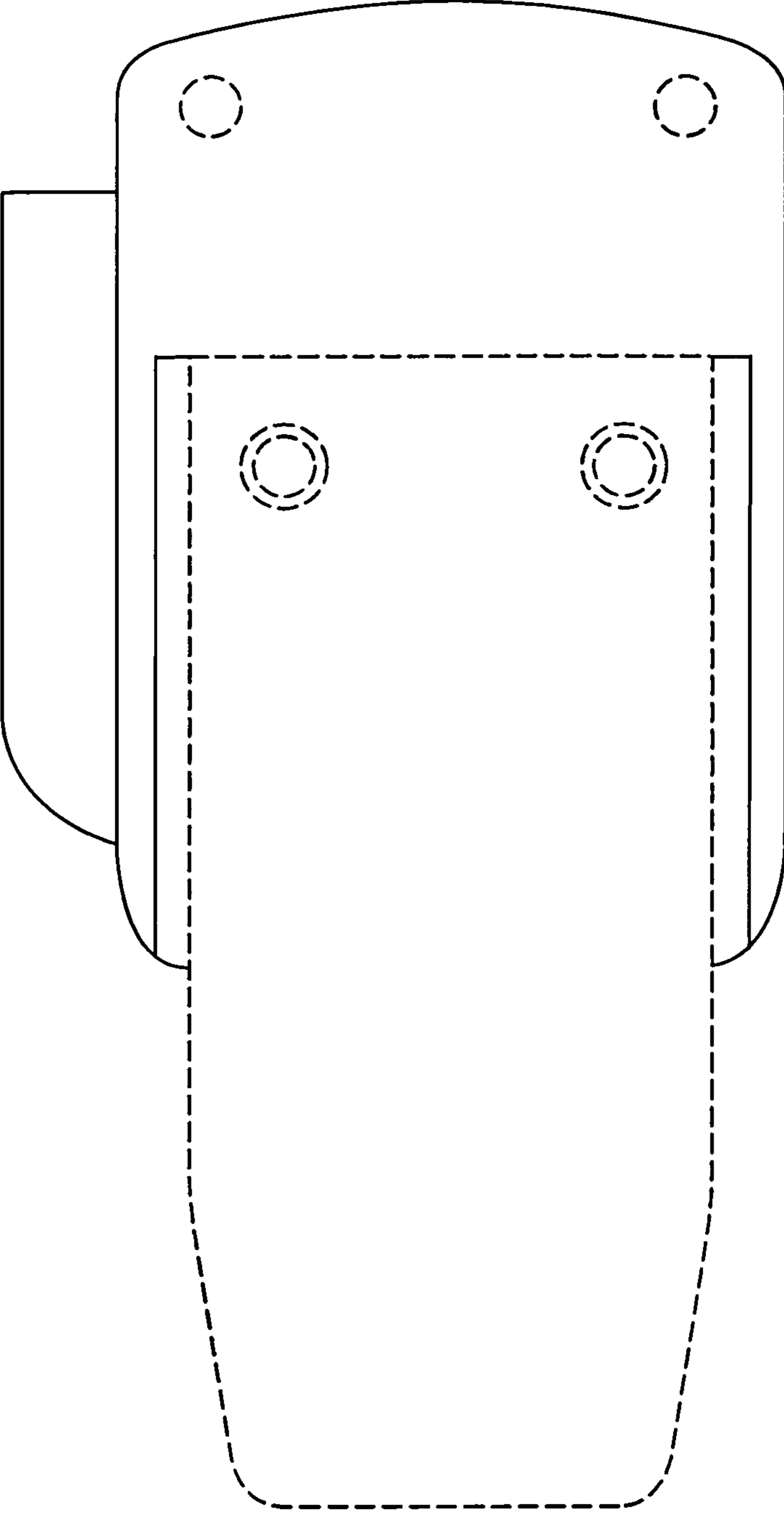


FIG.5

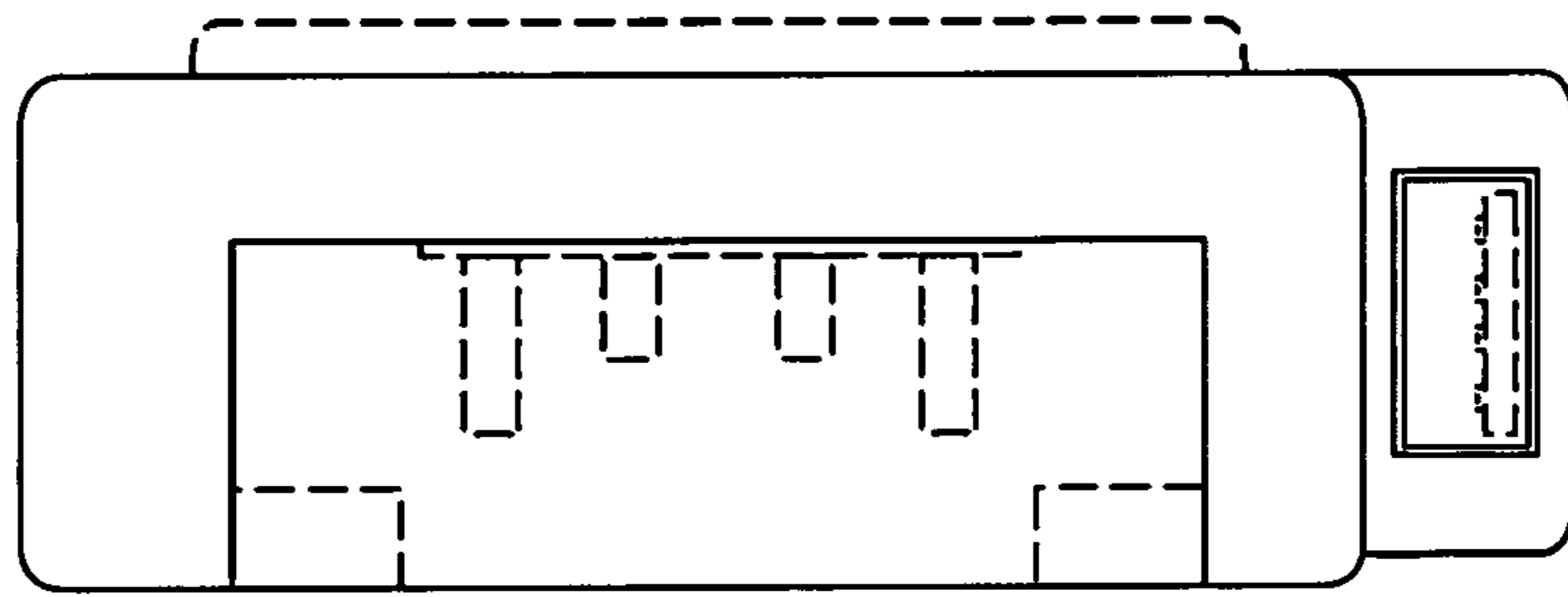


FIG.6

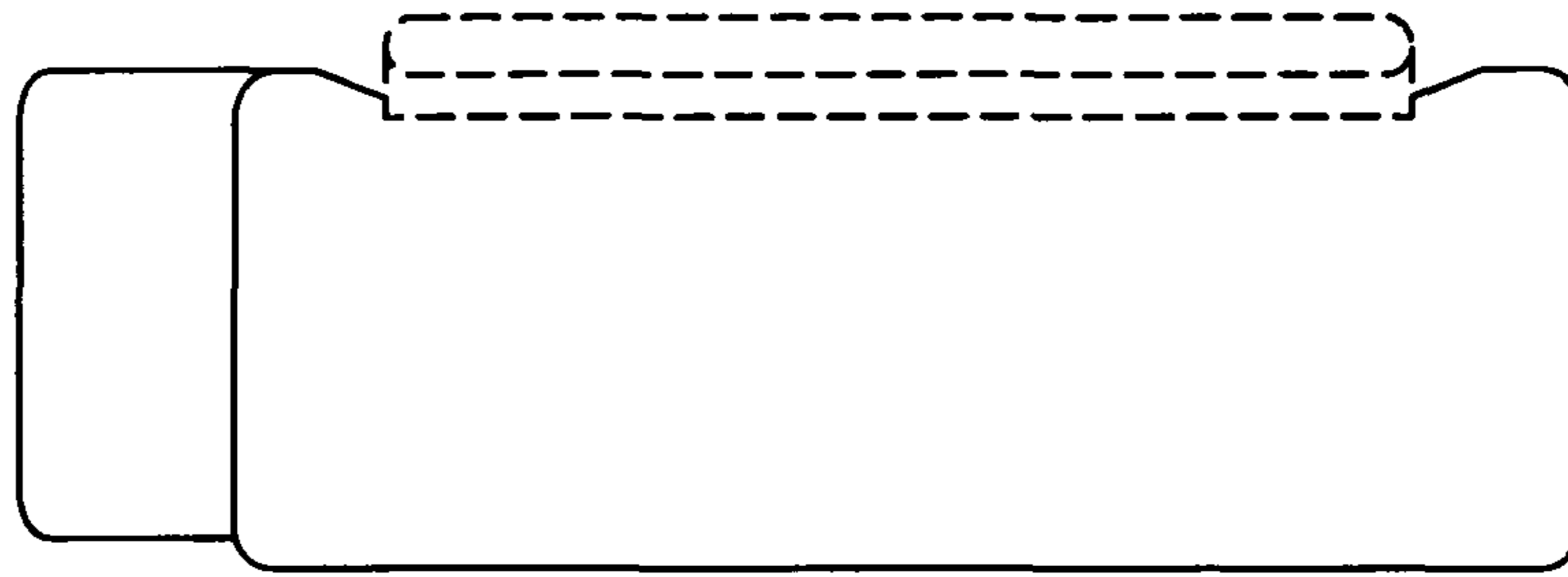


FIG.7