



US00D734724S

(12) **United States Design Patent**  
**Faul**

(10) **Patent No.:** **US D734,724 S**  
(45) **Date of Patent:** **\*\* Jul. 21, 2015**

(54) **ELECTRICAL RECEPTACLE**

(71) Applicant: **CONWAY ELECTRIC, LLC**, Boulder, CO (US)

(72) Inventor: **Kevin Faul**, Boulder, CO (US)

(73) Assignee: **CONWAY ELECTRIC, LLC**, Boulder, CO (US)

(\*\*) Term: **14 Years**

(21) Appl. No.: **29/493,501**

(22) Filed: **Jun. 10, 2014**

(51) **LOC (10) Cl.** ..... **13-03**

(52) **U.S. Cl.**  
USPC ..... **D13/137.4**

(58) **Field of Classification Search**

USPC ..... D13/137.1-137.4, 139.1-139.8, 110, D13/152, 156, 169, 133, 108; 174/53, 54, 174/55, 56, 58; 439/107, 535, 137, 620.22; D8/353; D24/186; 361/56

See application file for complete search history.

(56) **References Cited**

**U.S. PATENT DOCUMENTS**

4,240,688	A *	12/1980	Sotolongo	439/535
4,463,998	A *	8/1984	Reavis et al.	439/137
D306,012	S *	2/1990	Oesterheld et al.	D13/139.8
D329,422	S *	9/1992	Fujiyoshi	D13/139.1
D350,939	S *	9/1994	Rossman et al.	D13/139.8
D367,038	S *	2/1996	Fladung et al.	D13/137.2
D367,643	S	3/1996	Vardell	
D368,893	S *	4/1996	Harwood et al.	D13/139.8
D379,796	S *	6/1997	Bagga	D13/139.4
D382,855	S *	8/1997	Salmond et al.	D13/139.8
5,748,424	A *	5/1998	Hung	361/56
5,984,728	A *	11/1999	Chen et al.	439/620.22

(Continued)

**OTHER PUBLICATIONS**

TacMac Corporation, "Metal 1-Gang Outlet Boxes", Dec. 12, 2013, 2 pages, [http://www.taymac.com/products/outlet\\_boxes\\_and\\_extensions/1-gang](http://www.taymac.com/products/outlet_boxes_and_extensions/1-gang).

Woodhead, "Portable Outlet Boxes", pp. 140-149, <http://www.woodheadsales.com/pdfs/multiple/020outler/020boxes%20902.pdf> (last accessed Jun. 9, 2014).

*Primary Examiner* — Ian Simmons

*Assistant Examiner* — Rhea Shields

(74) *Attorney, Agent, or Firm* — Oblon, McClelland, Maier & Neustadt, L.L.P.

(57) **CLAIM**

The ornamental design for an electrical receptacle, as shown and described.

**DESCRIPTION**

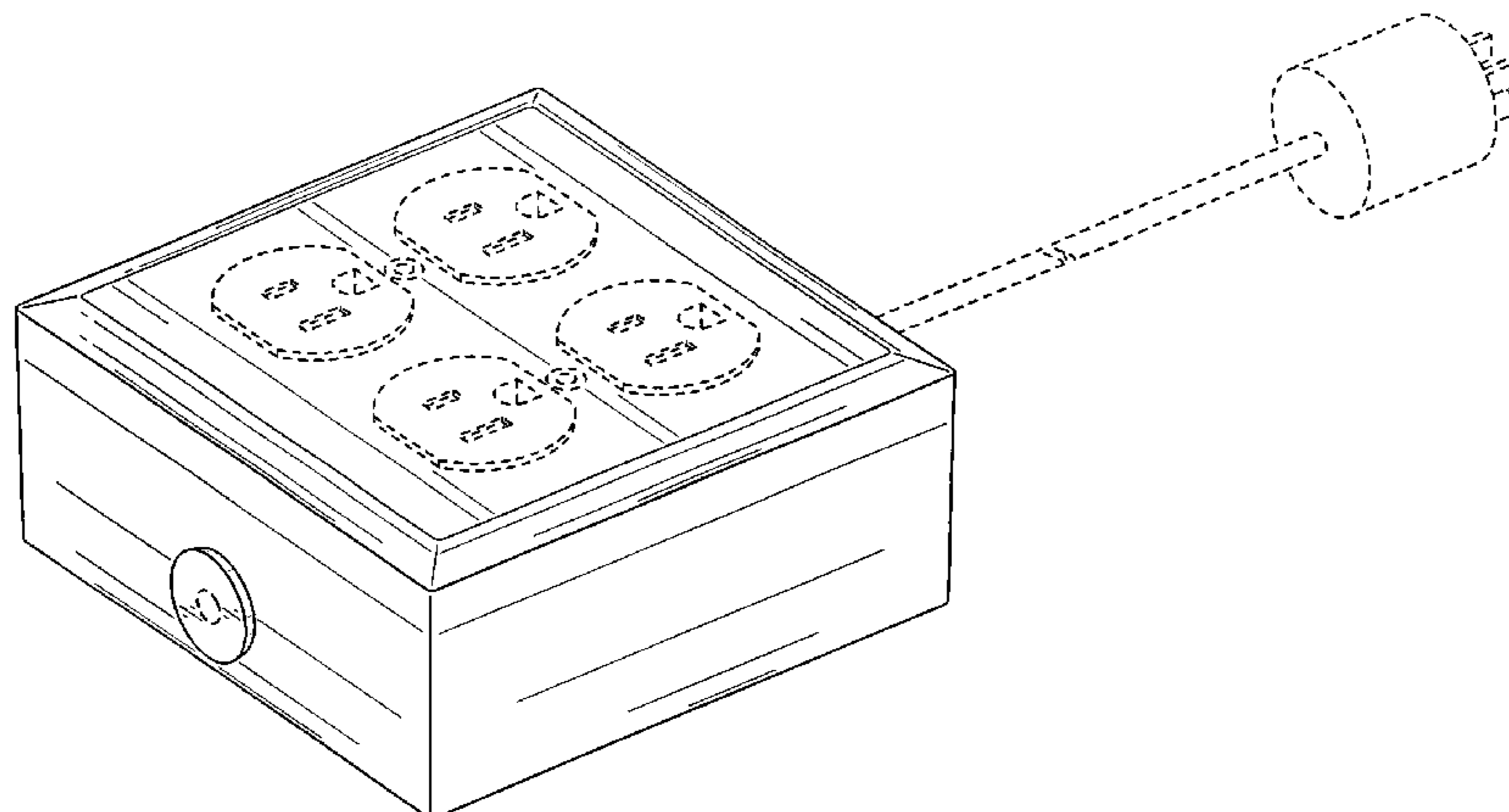
FIG. 1 is a rear, left side perspective view of a first embodiment of the electrical receptacle;  
 FIG. 2 is a left side elevational view thereof.  
 FIG. 3 is a top plan view thereof.  
 FIG. 4 is a rear elevational view thereof.  
 FIG. 5 is a front elevation view of FIG. 1, with the environment removed for clarity of disclosure;  
 FIG. 6 is a bottom plan view thereof.  
 FIG. 7 is a bottom, left side perspective view thereof.  
 FIG. 8 is a rear, left side perspective view of a second embodiment of the electrical receptacle;  
 FIG. 9 is a rear, left side perspective view of a third embodiment of the electrical receptacle;  
 FIG. 10 is a left side elevational view thereof.  
 FIG. 11 is a top plan view thereof.  
 FIG. 12 is a bottom plan view thereof; and,  
 FIG. 13 is a bottom, left side perspective view thereof.

Additionally, the rear and front elevation views are omitted from the second embodiment, because these views are the same as FIGS. 4 and 5.

Regarding FIGS. 1, 3, 8, 9, and 11, the additional dashed lines inside each of the pairs of rectangular electrical outlet openings represent tamper resistant layers in the respective rectangular electrical outlet openings.

The dashed lines in the drawings depict environmental subject matter only and form no part of the claimed design.

**1 Claim, 12 Drawing Sheets**



(56)

**References Cited**

U.S. PATENT DOCUMENTS

D446,503 S *	8/2001	Lee	.....	D13/139.8	D636,728 S *	4/2011	Terleski et al.	.....	D13/139.4
D484,099 S *	12/2003	Bettencourt	.....	D13/139.8	7,939,758 B1	5/2011	Shotey		
D523,397 S *	6/2006	Maglionico et al.	.....	D13/137.2	D651,974 S *	1/2012	Benedetti	.....	D13/137.2
D528,508 S *	9/2006	Tan et al.	.....	D13/139.8	8,187,012 B1	5/2012	Baldwin et al.		
7,390,966 B1	6/2008	Shotey et al.			D673,912 S *	1/2013	Benedetti	.....	D13/137.2
RE40,600 E	12/2008	Maltby et al.			D679,401 S *	4/2013	Fisher et al.	.....	D24/186
D587,203 S *	2/2009	Dennes et al.	.....	D13/133	D693,305 S *	11/2013	Kuo et al.	.....	D13/137.2
D591,233 S *	4/2009	Kagami et al.	.....	D13/108	D695,693 S *	12/2013	Lee et al.	.....	D13/152
D595,229 S *	6/2009	LaGrotta	.....	D13/137.2	D700,579 S *	3/2014	Mobbs	.....	D13/137.1
D619,535 S *	7/2010	Shi	.....	D13/137.2	D700,892 S *	3/2014	Segnit	.....	D13/137.2
D626,071 S *	10/2010	Su et al.	.....	D13/139.8	8,672,695 B2	3/2014	Baldwin et al.		
7,820,910 B1	10/2010	Cleghorn et al.			D710,804 S *	8/2014	Duffy et al.	.....	D13/139.3
					D711,828 S *	8/2014	Mozdzer	.....	D13/139.1
					2009/0294147 A1 *	12/2009	Stockton	.....	174/56

\* cited by examiner

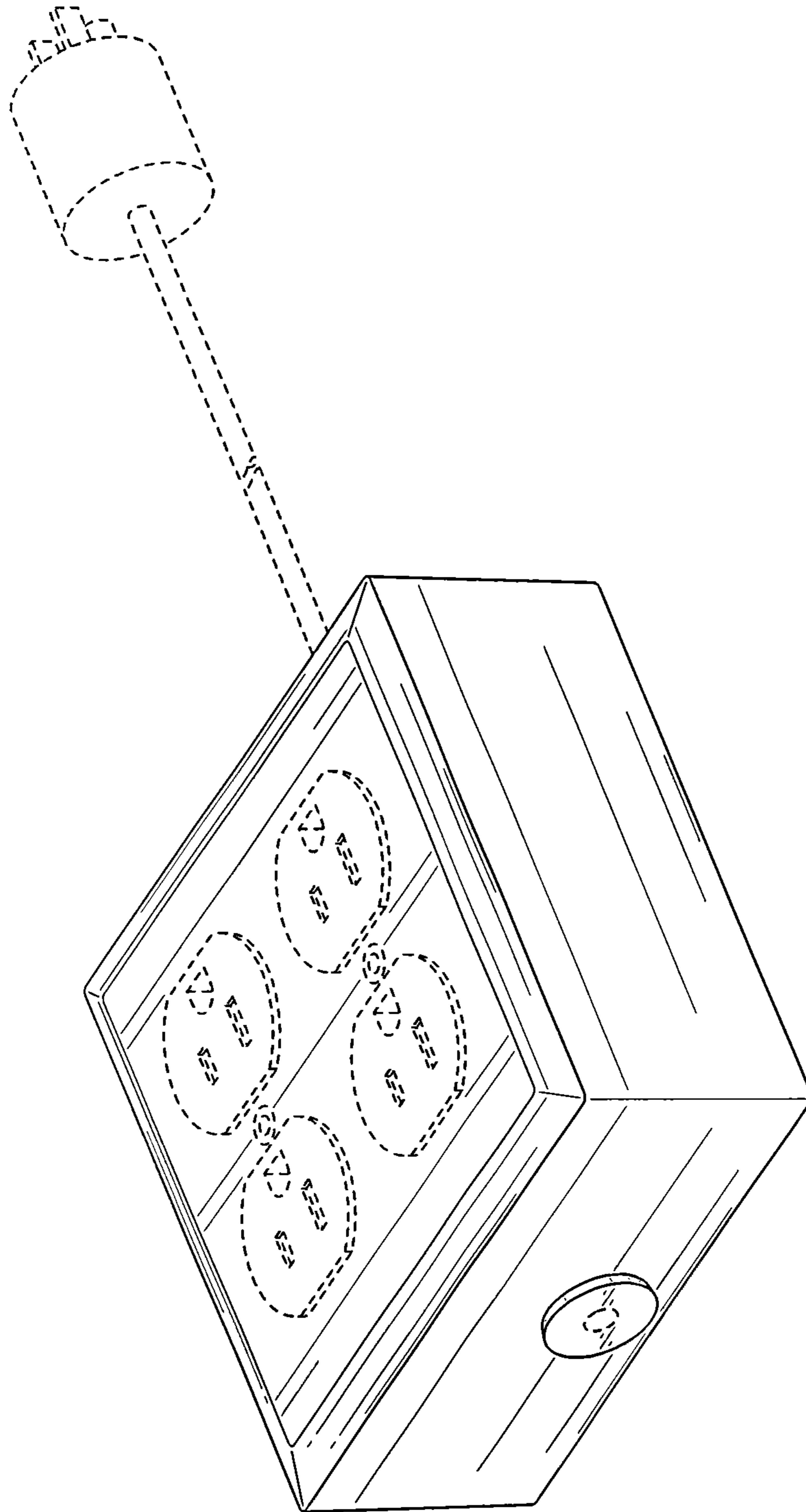


FIG. 1

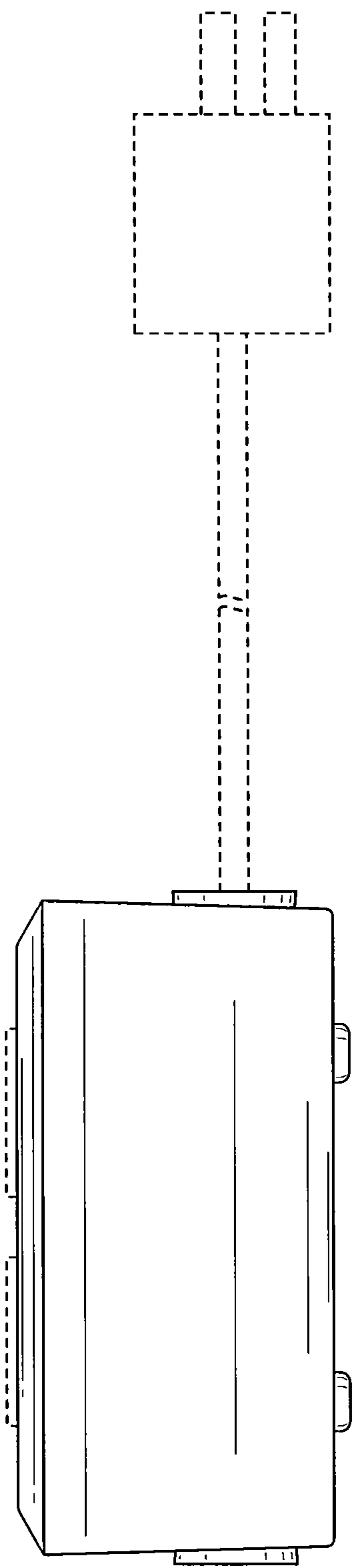


FIG. 2

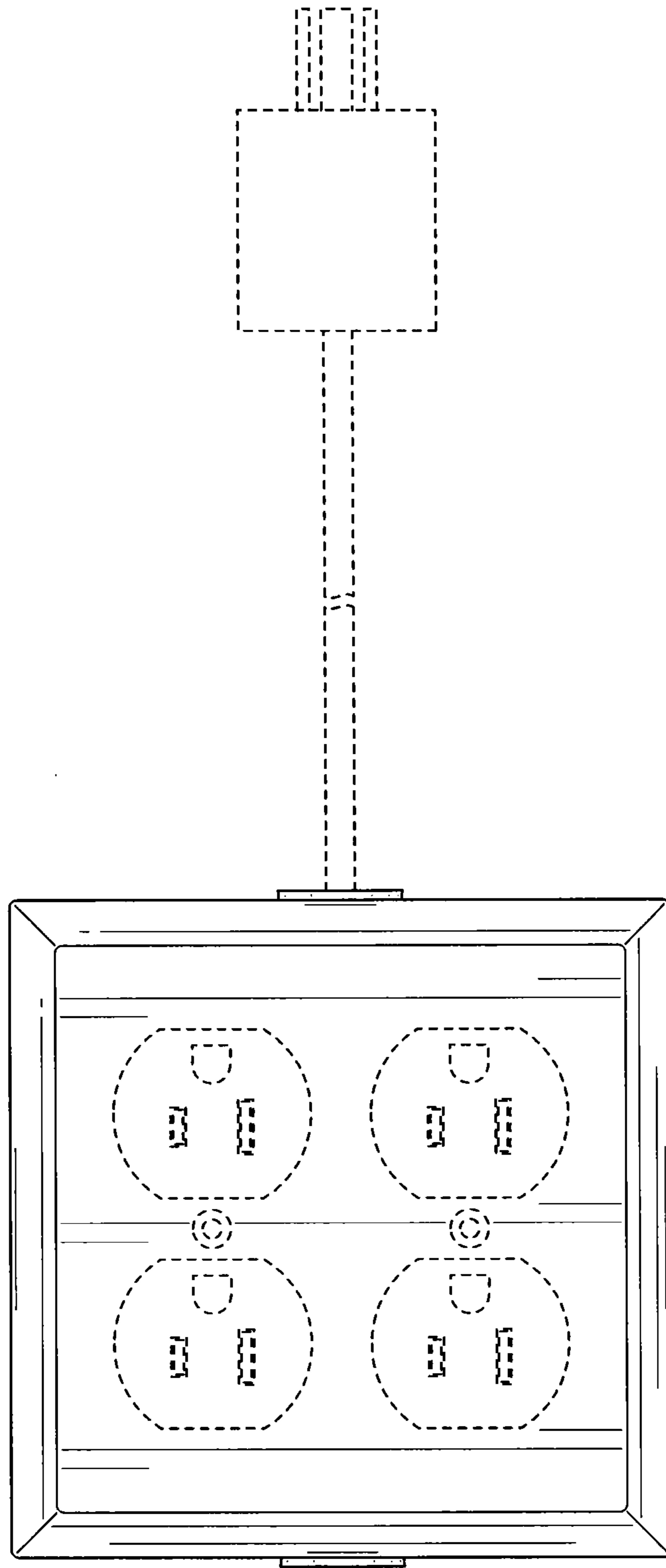


FIG. 3

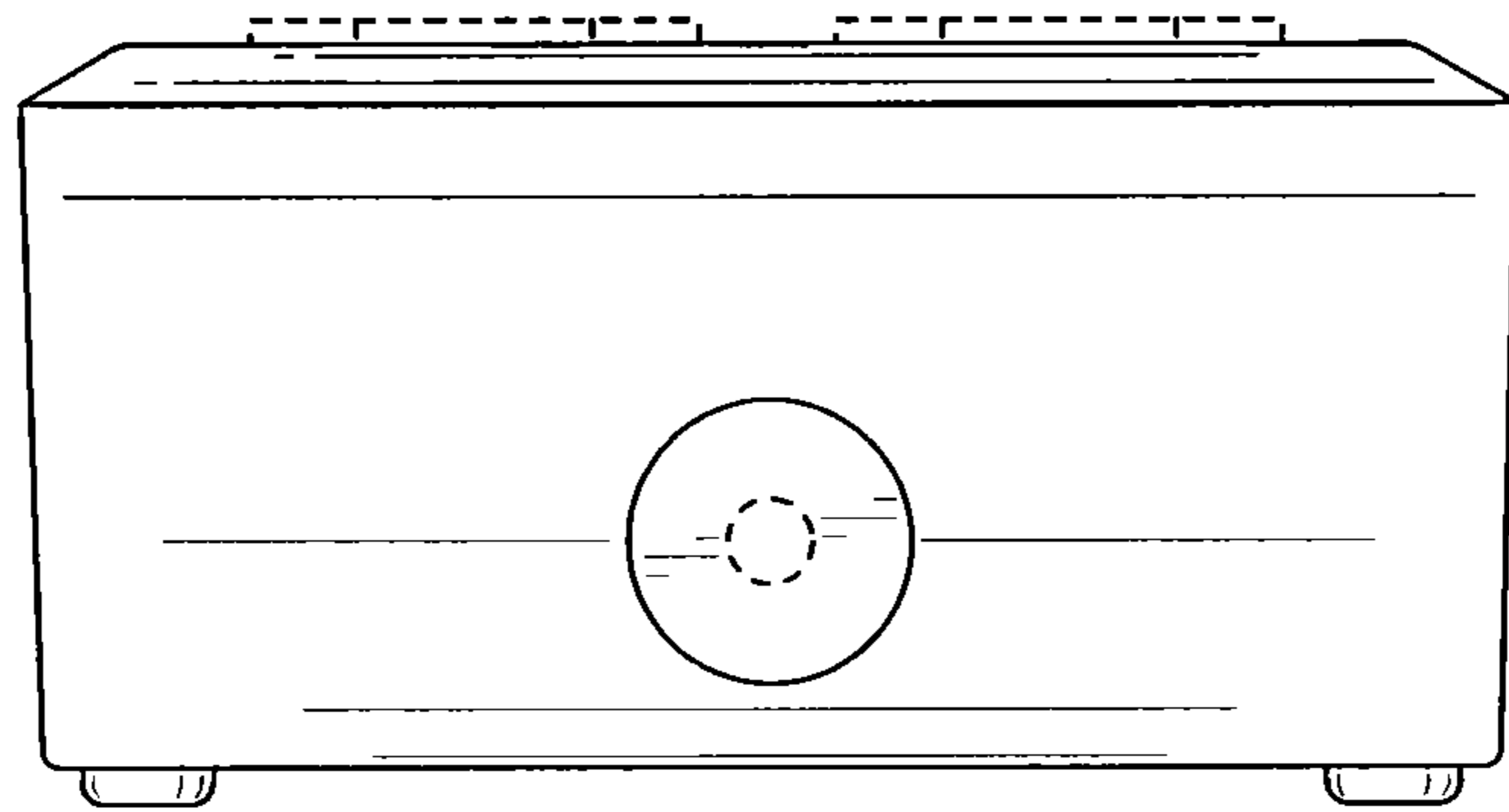


FIG. 4

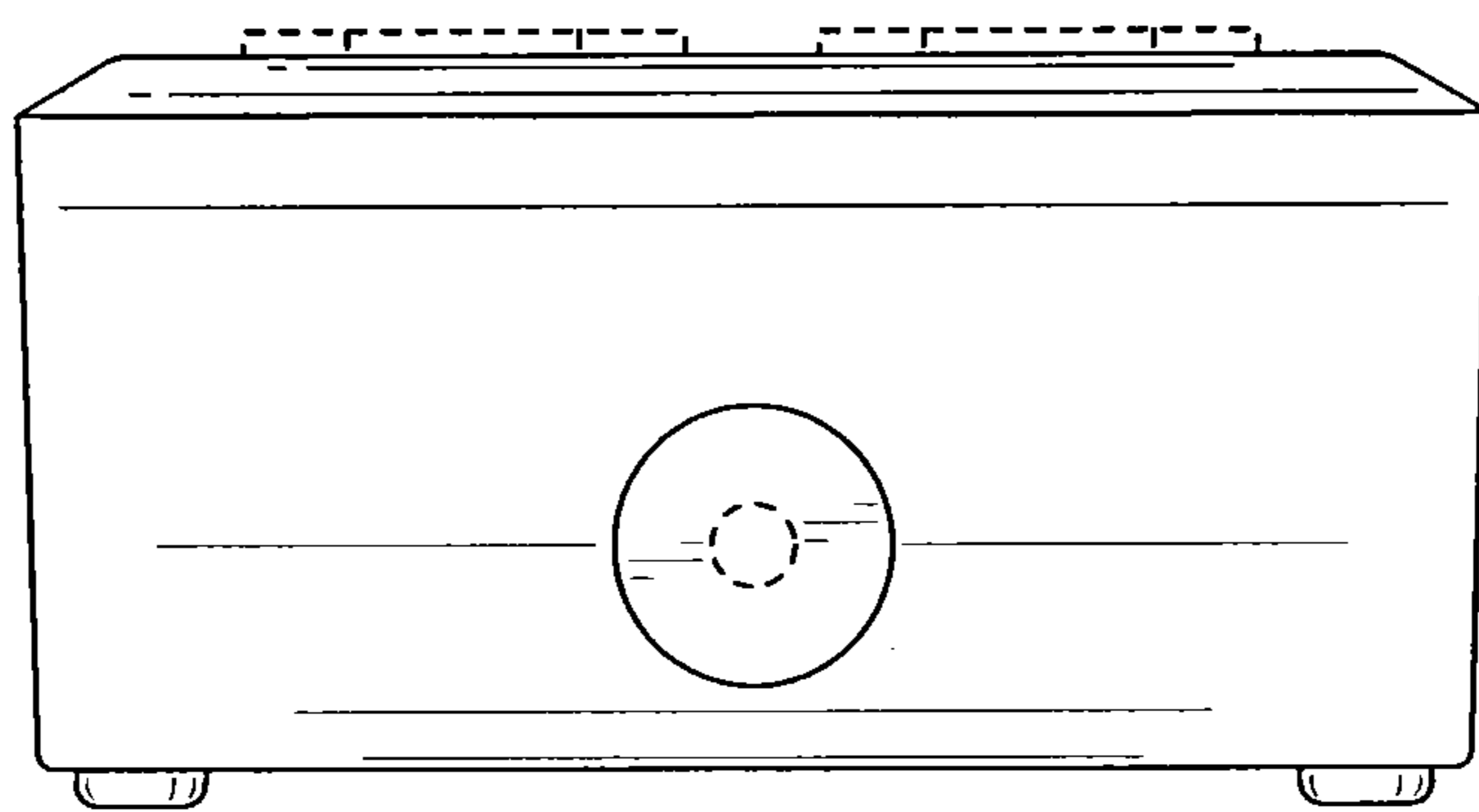


FIG. 5

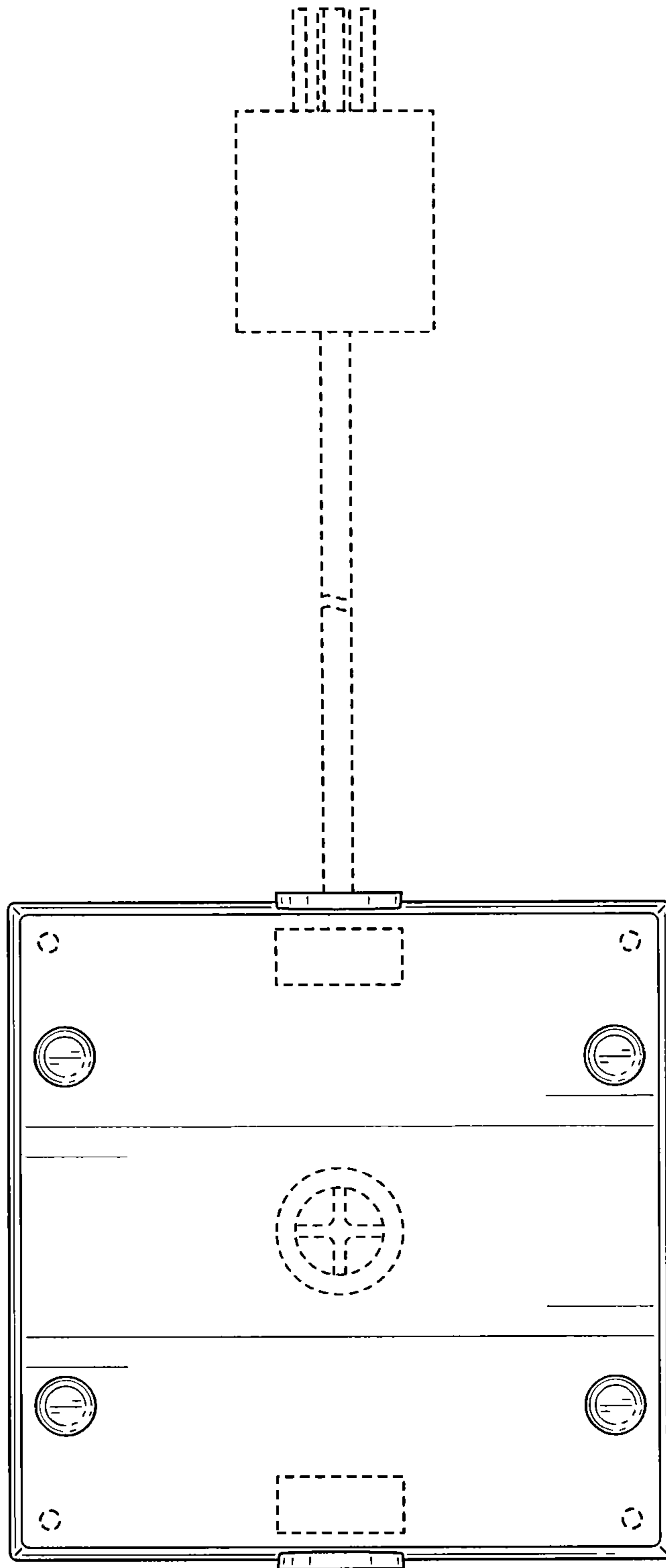


FIG. 6

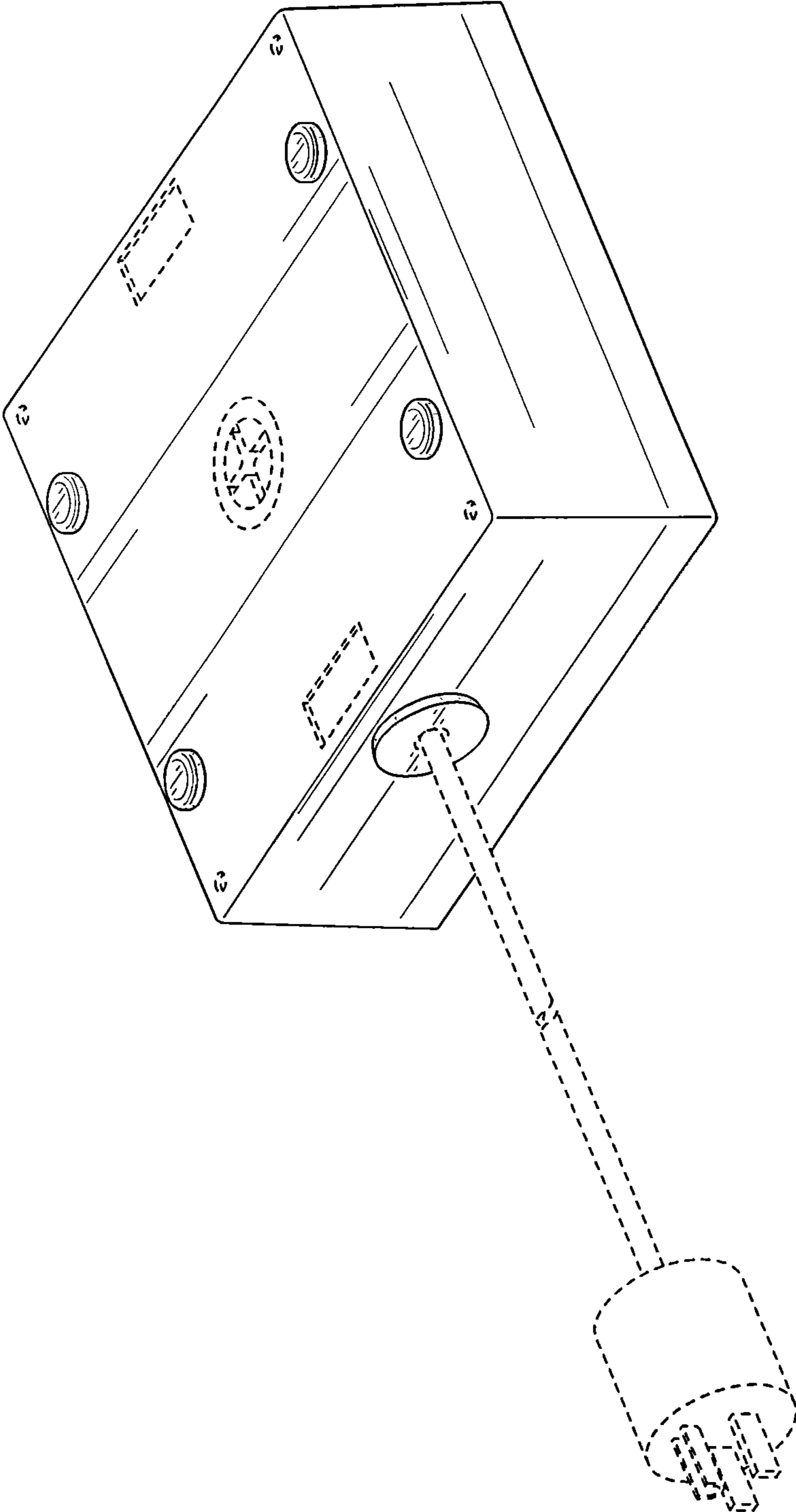


FIG. 7



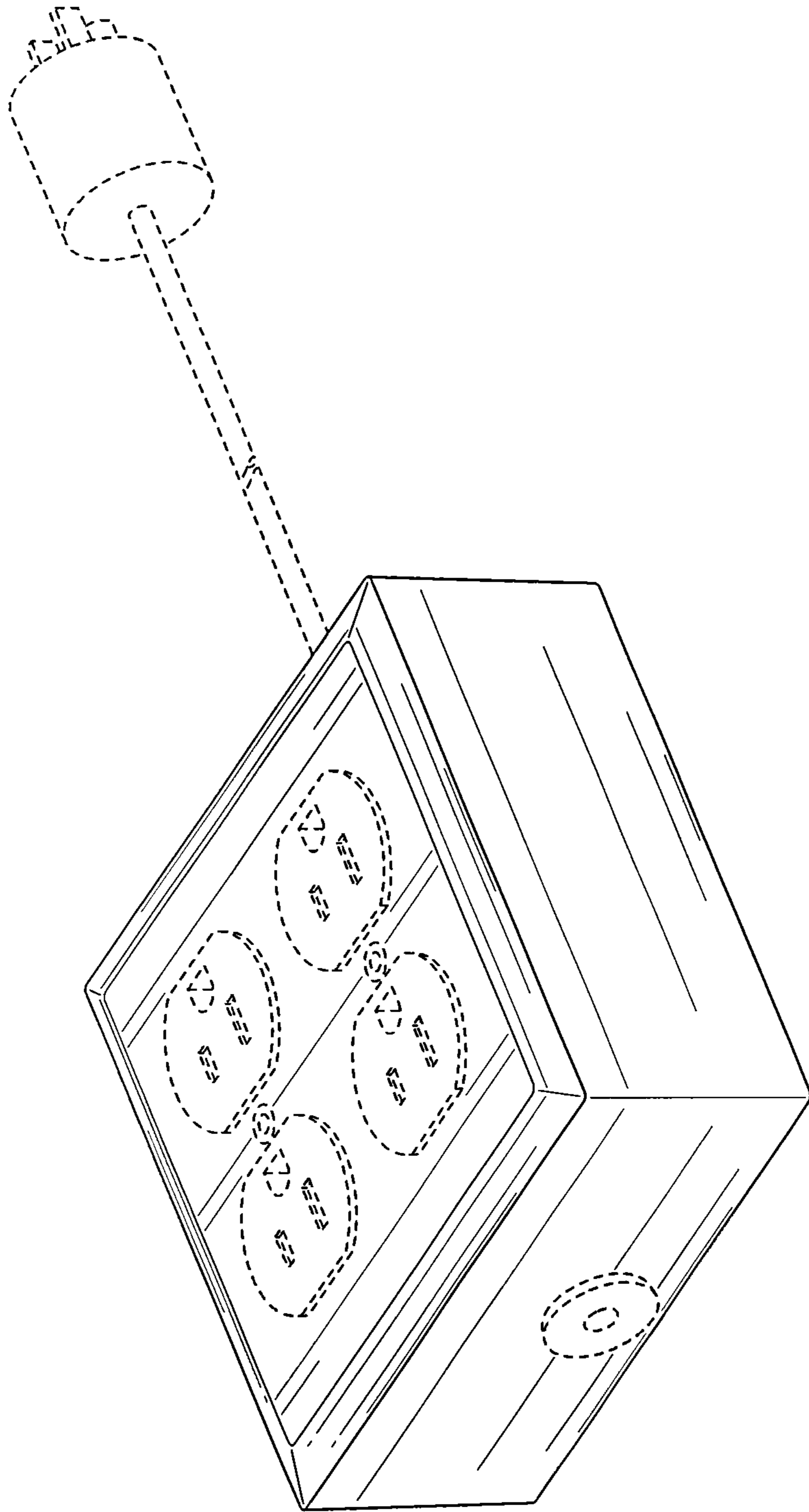


FIG. 8

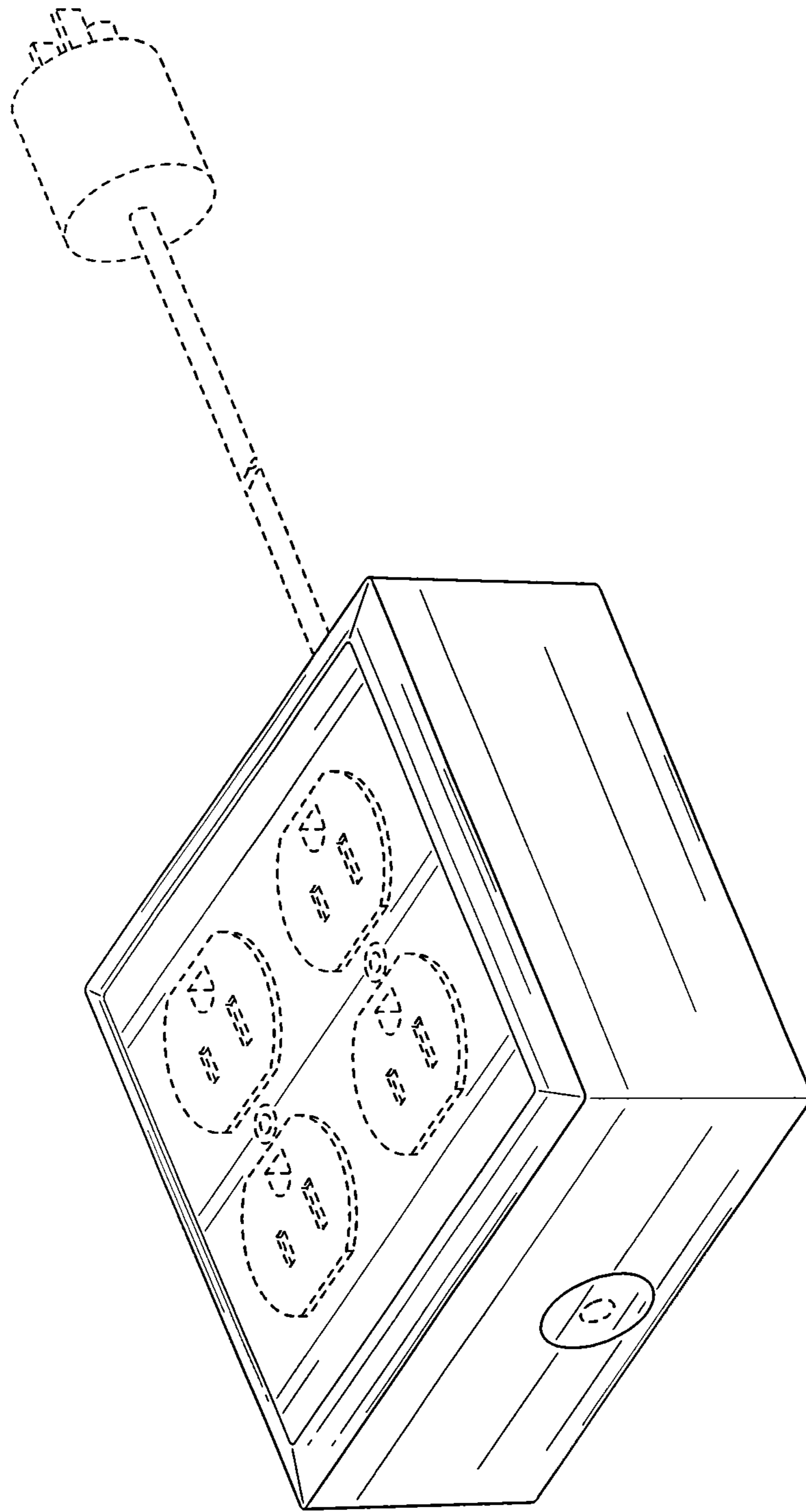


FIG. 9

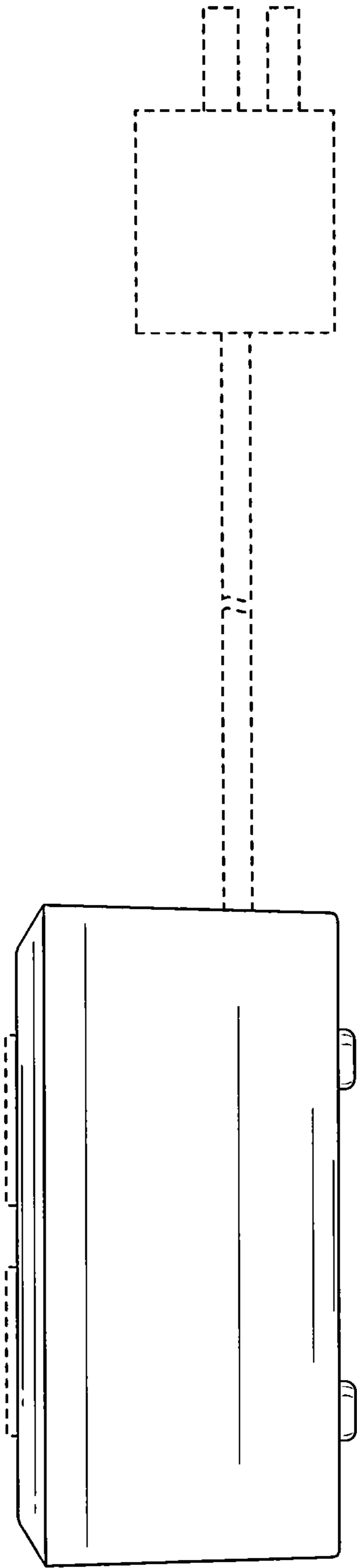


FIG. 10

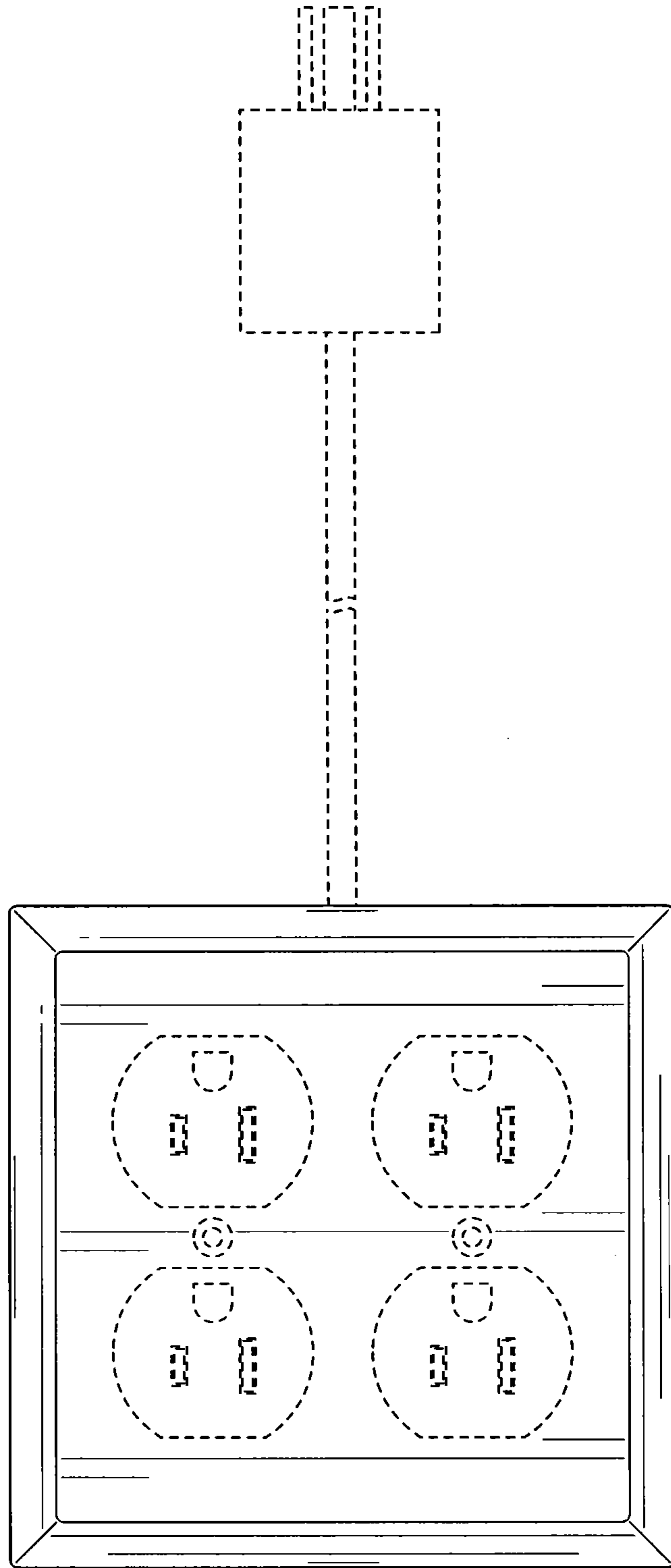


FIG. 11

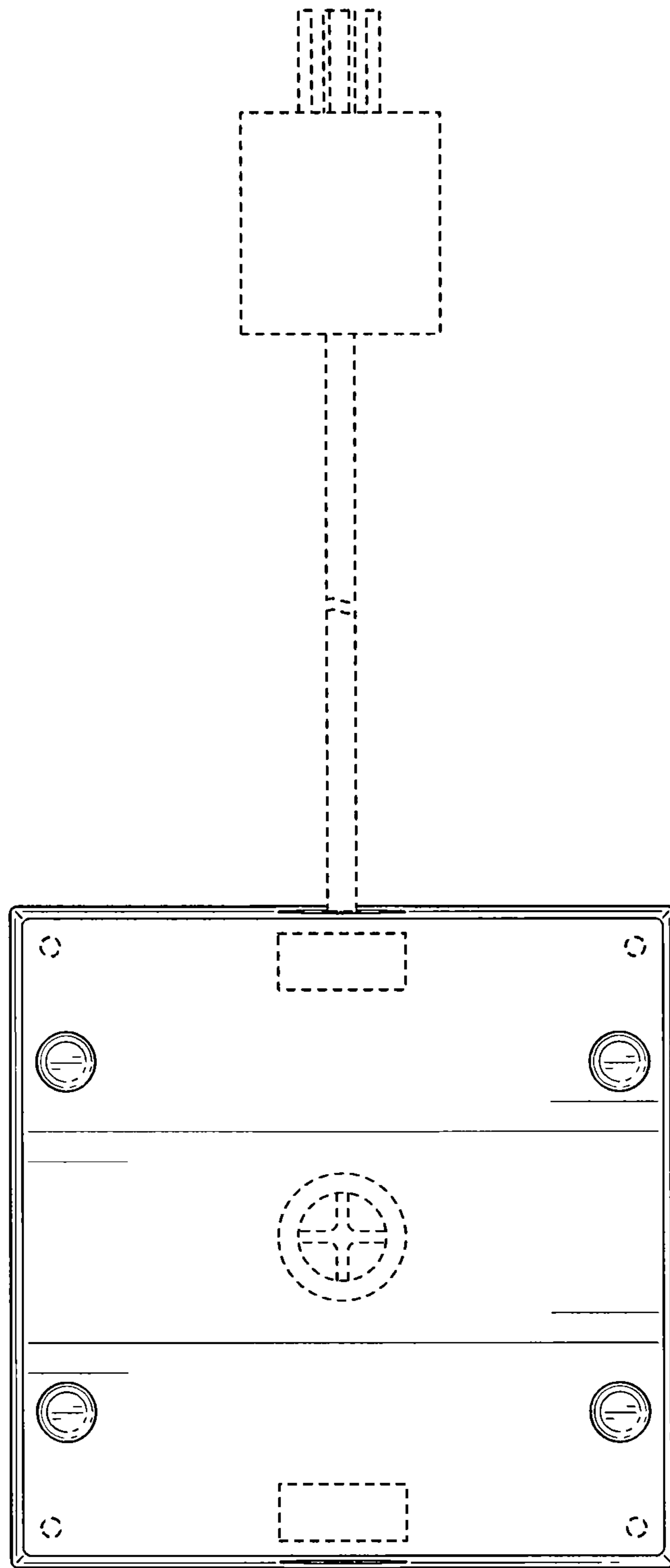


FIG. 12

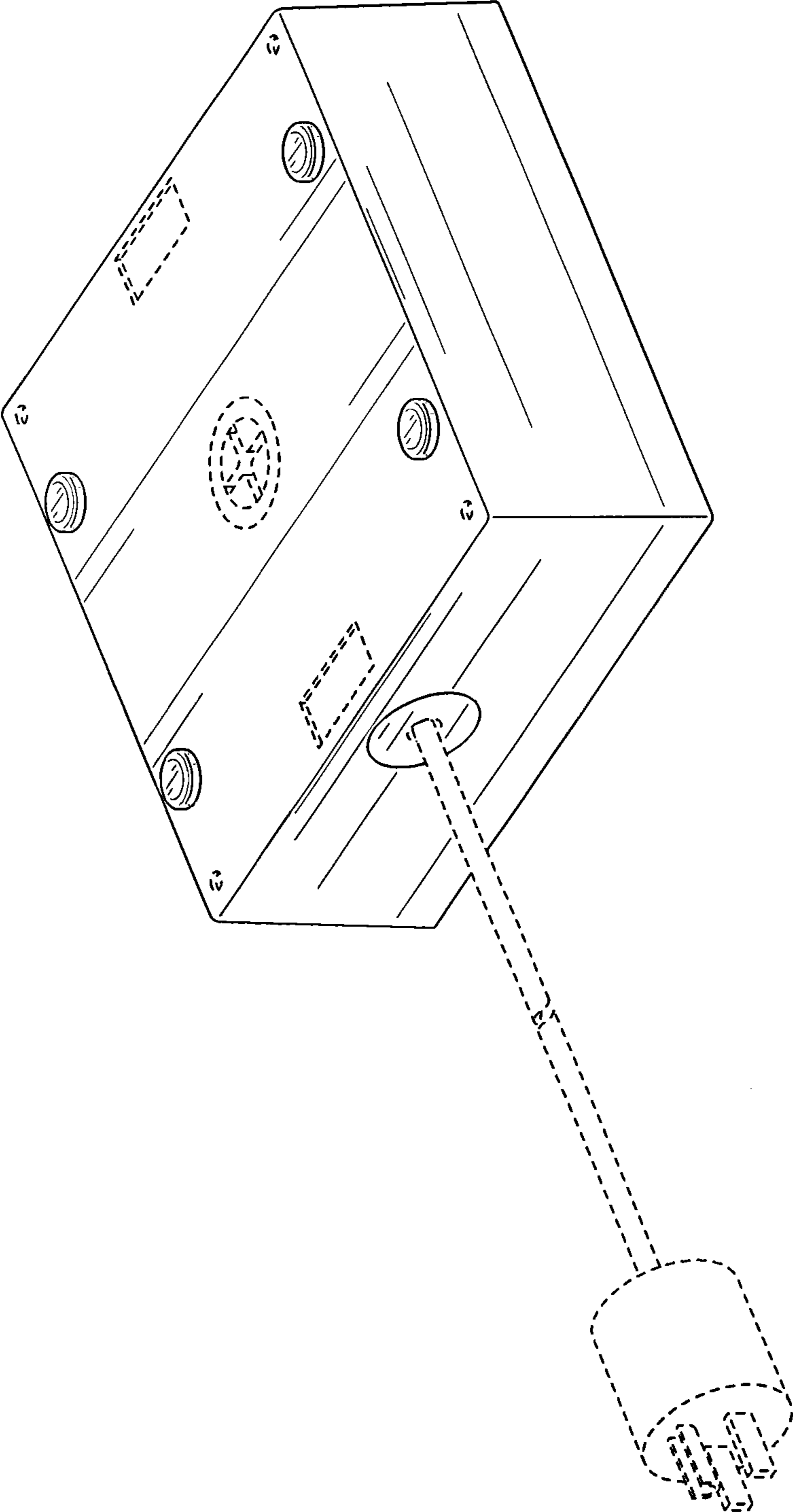


FIG. 13