



US00D734722S

(12) **United States Design Patent**
Ojeda, Jr.

(10) **Patent No.:** **US D734,722 S**
(45) **Date of Patent:** **** Jul. 21, 2015**

- (54) **GUN SPARK PLUG BOOT**
- (71) Applicant: **Taylor Cable Products, Inc.**,
Grandview, MO (US)
- (72) Inventor: **Rick Ojeda, Jr.**, Pleasant Hill, MO (US)
- (73) Assignee: **Taylor Cable Products, Inc.**,
Grandview, MO (US)
- (**) Term: **14 Years**
- (21) Appl. No.: **29/471,923**
- (22) Filed: **Nov. 6, 2013**
- (51) **LOC (10) Cl.** **13-03**
- (52) **U.S. Cl.**
USPC **D13/127; D13/156**
- (58) **Field of Classification Search**
USPC D13/110, 118, 123, 126, 127, 154-156,
D13/184, 199; D21/570, 572-575;
D22/104, 105; 439/125
CPC H01R 13/62; H01R 13/44; H01T 13/06;
H01T 13/04
See application file for complete search history.

D236,124	S	*	7/1975	Jukes	D13/127
D345,407	S	*	3/1994	Ruger	D22/104
5,348,486	A	*	9/1994	Tura et al.	439/125
6,302,712	B1	*	10/2001	Delsole	439/125
D582,343	S	*	12/2008	Frazier	D13/127
2001/0039134	A1	*	11/2001	Reum et al.	439/125
2007/0293064	A1	*	12/2007	Steinhardt et al.	439/127

* cited by examiner

Primary Examiner — Thomas Johannes

Assistant Examiner — Shawn T Gingrich

(74) *Attorney, Agent, or Firm* — Joseph M. Rolnicki; Evans & Dixon, L.L.C.

(57) **CLAIM**

The ornamental design for a gun spark plug boot, as shown and described.

DESCRIPTION

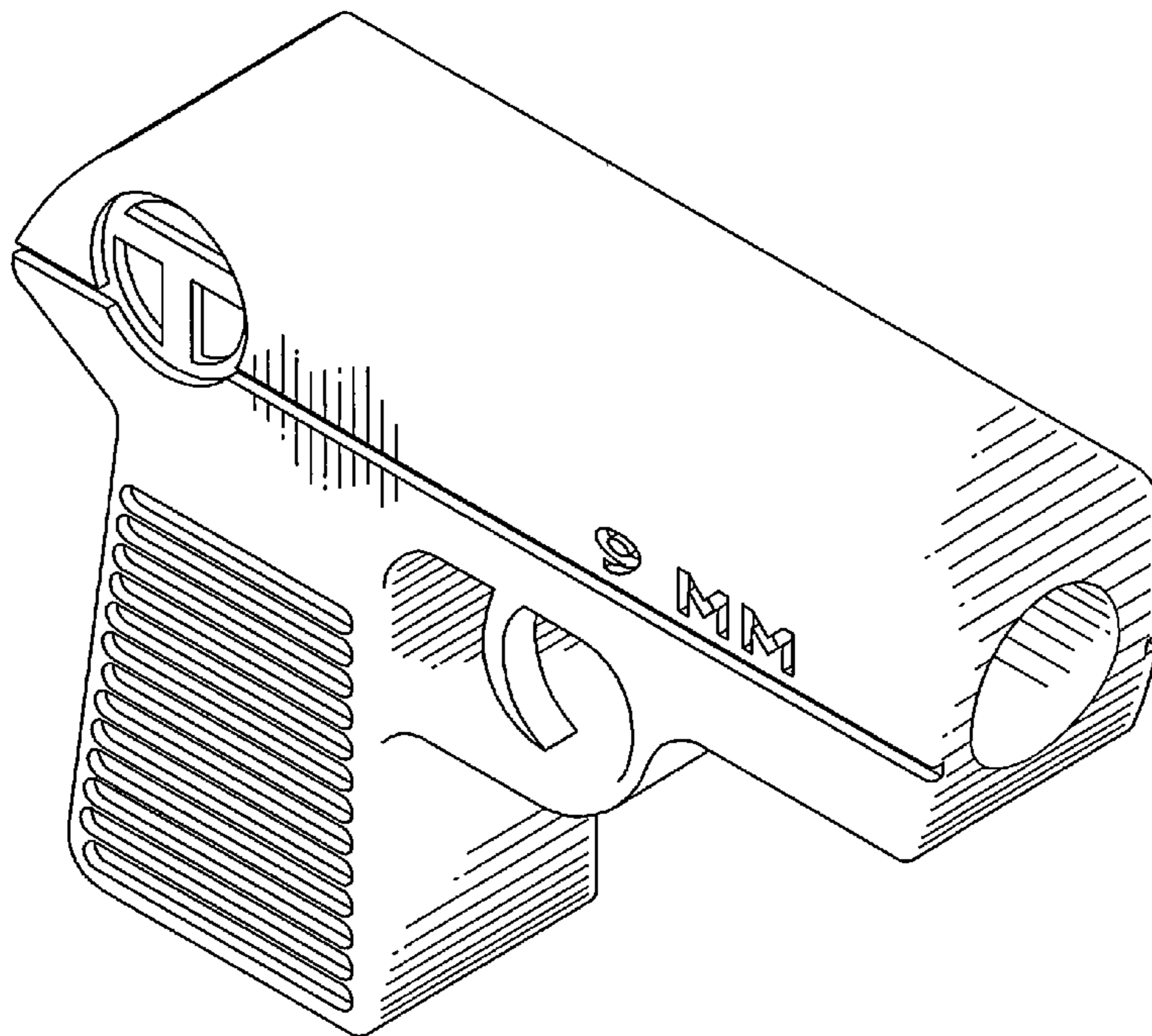
FIG. 1 is a top, front perspective view of a gun spark plug boot showing my new design;
 FIG. 2 is a top, rear perspective view thereof;
 FIG. 3 is a left side elevation view thereof, the right side elevation view being a mirror image;
 FIG. 4 is a front elevation view thereof;
 FIG. 5 is a rear elevation view thereof;
 FIG. 6 is a top plan view thereof; and,
 FIG. 7 is a bottom plan view thereof.
 The broken line portion of the figure drawings is included to show unclaimed subject matter only and forms no part of the claimed design.

1 Claim, 7 Drawing Sheets

(56) **References Cited**

U.S. PATENT DOCUMENTS

1,173,767	A	*	2/1916	Bixler	42/54
D49,183	S	*	6/1916	Haber	D21/572
D54,133	S	*	11/1919	Searight	D21/574
D89,207	S	*	2/1933	Peake	D21/574
D100,683	S	*	8/1936	Bonnett	D21/574



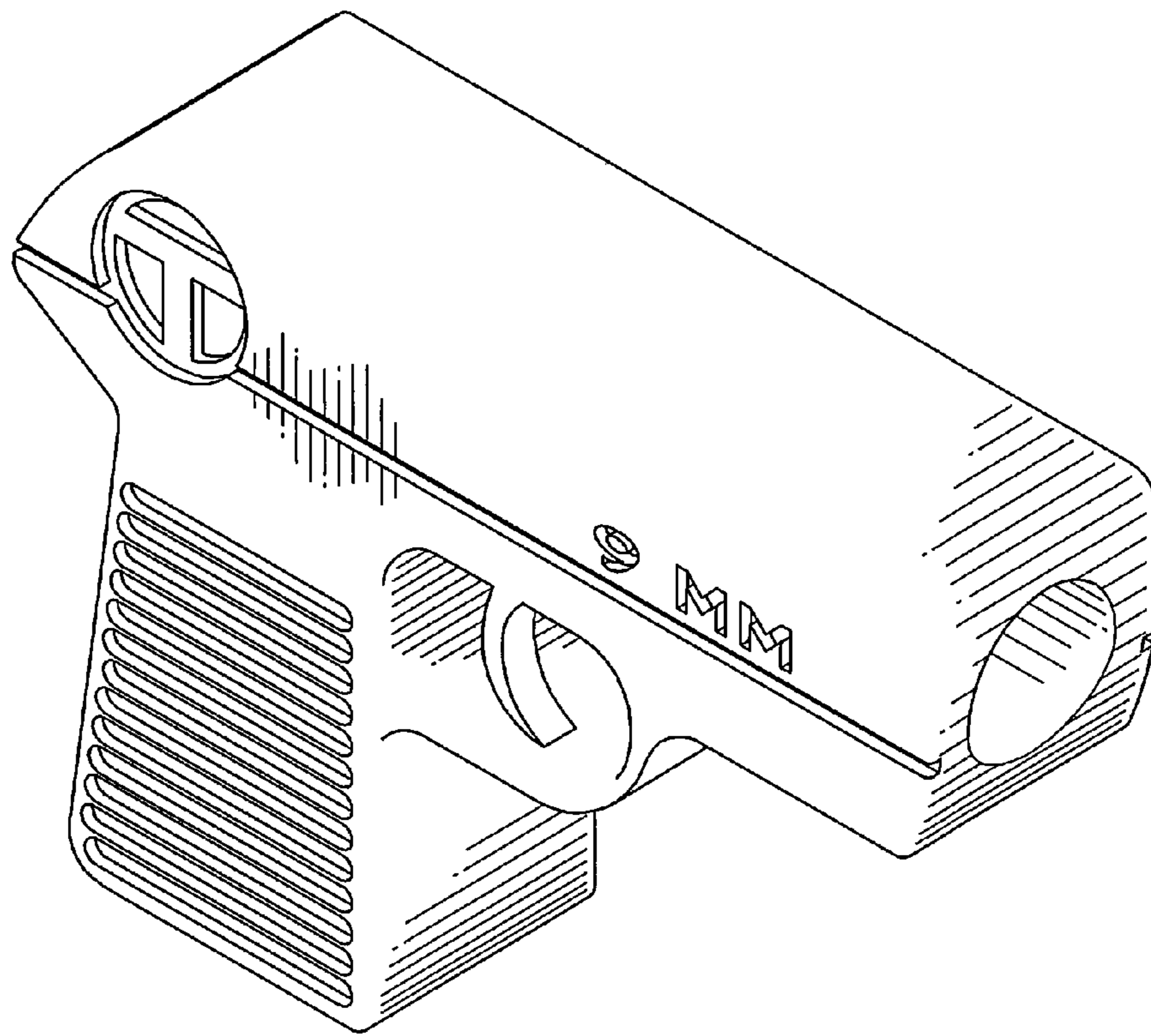


FIG. 1

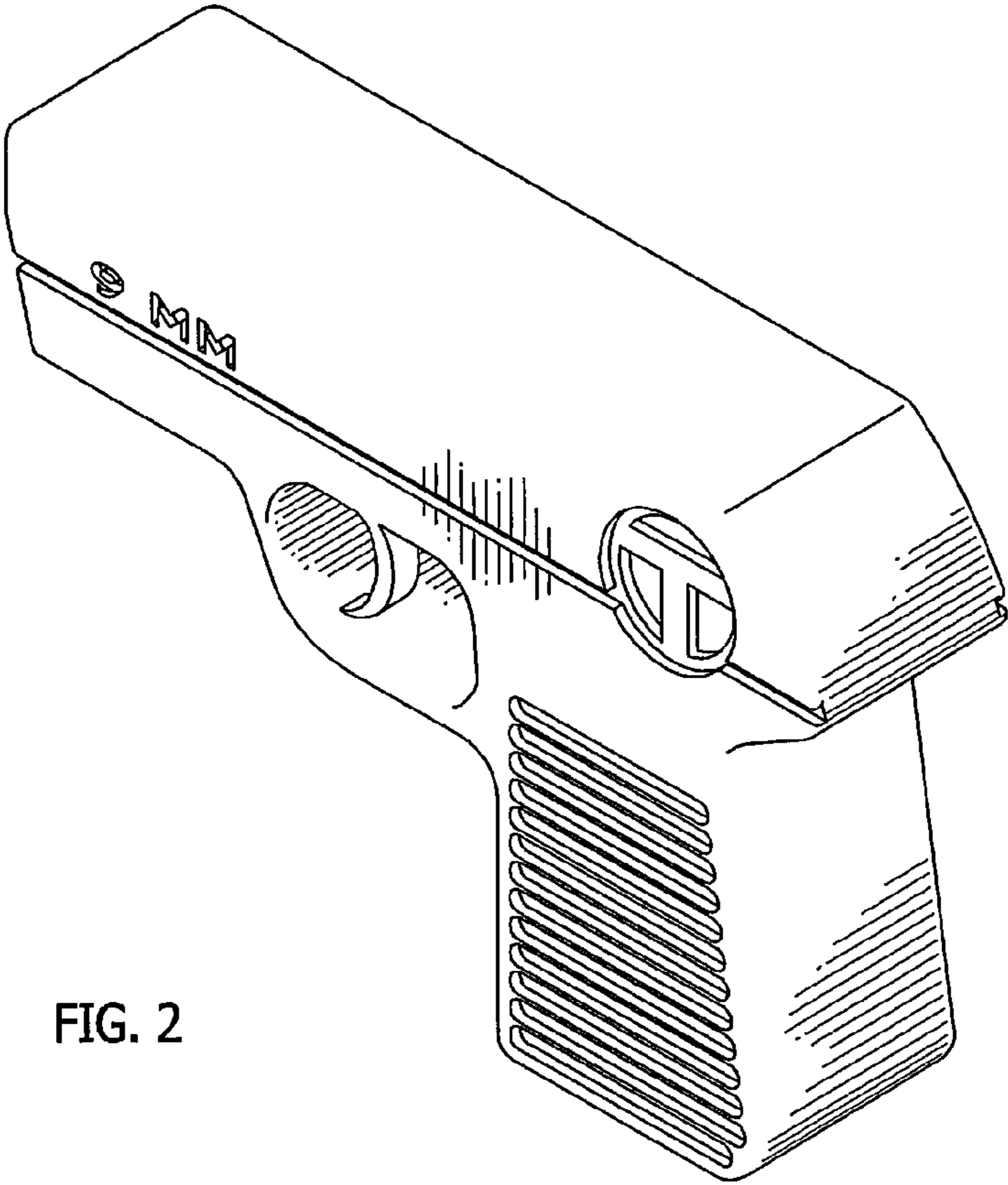


FIG. 2

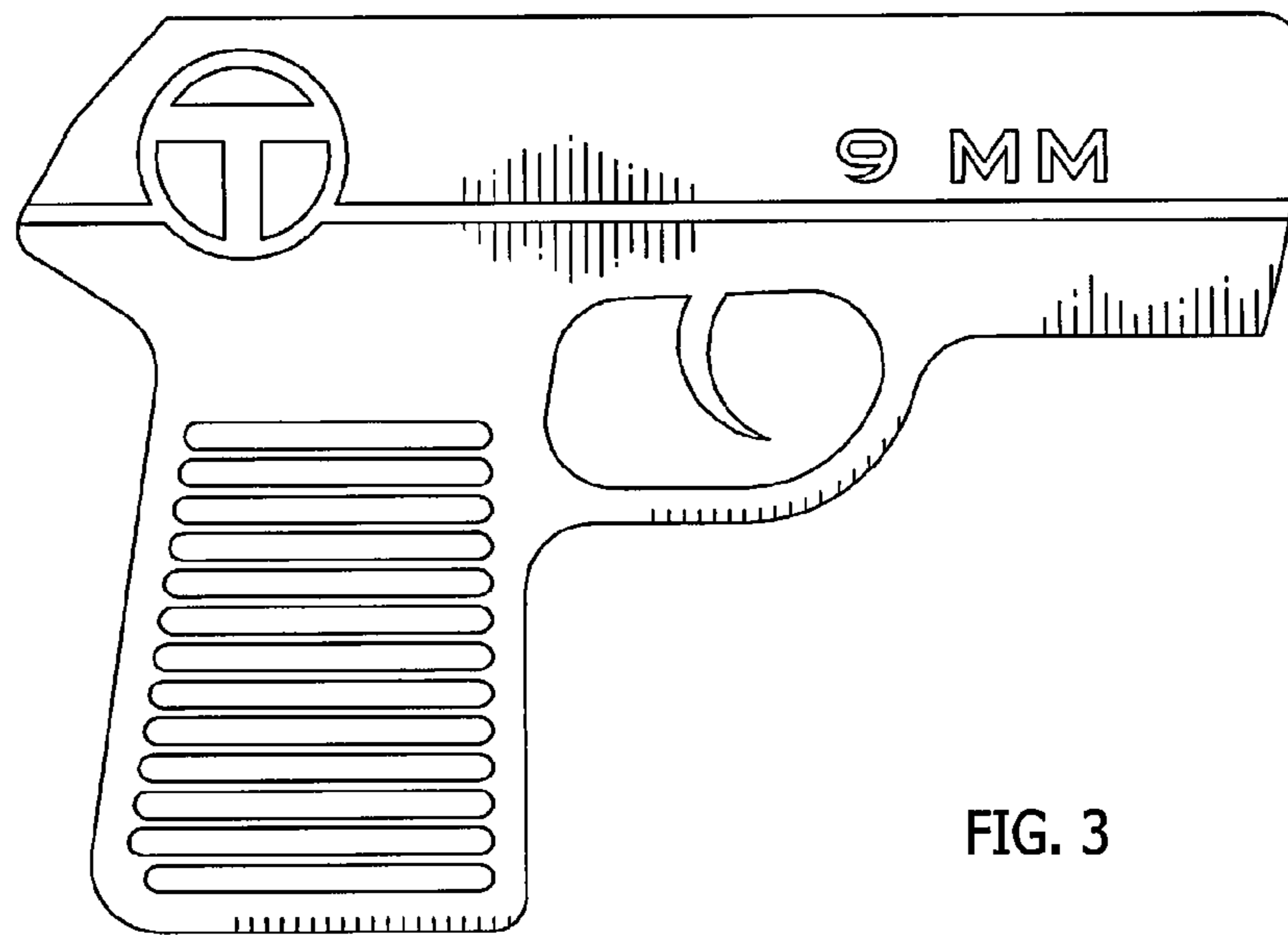


FIG. 3

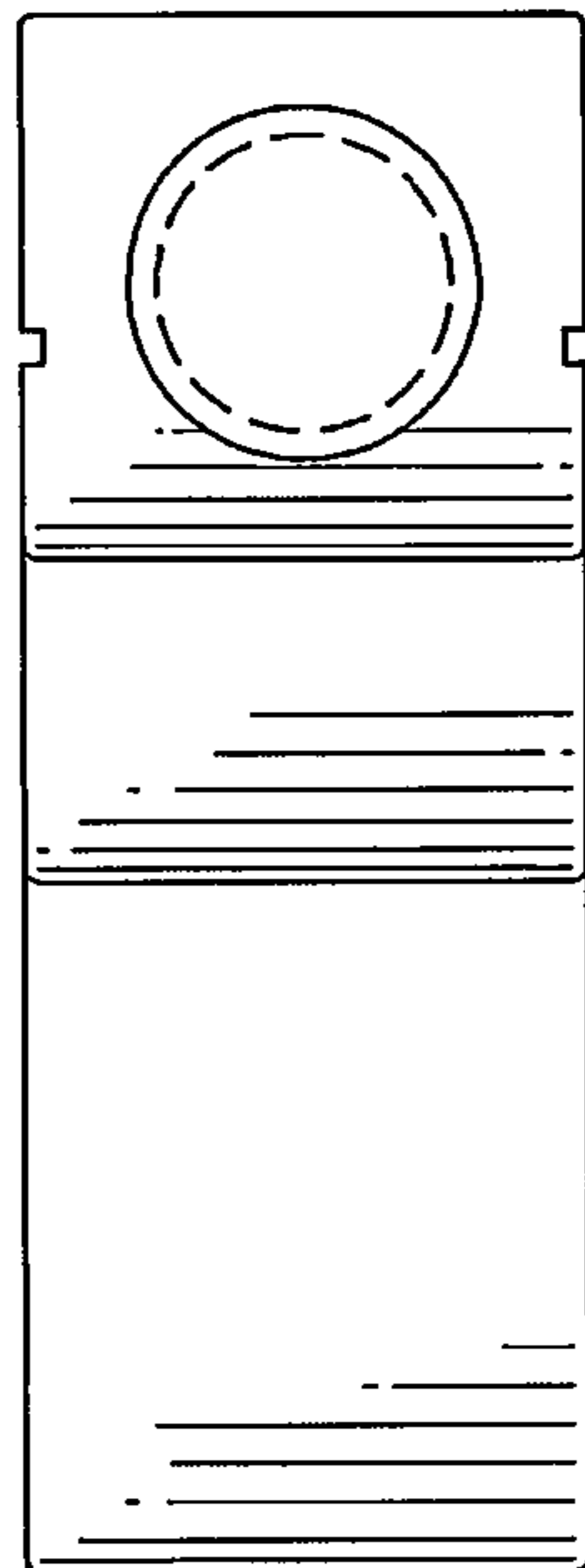


FIG. 4

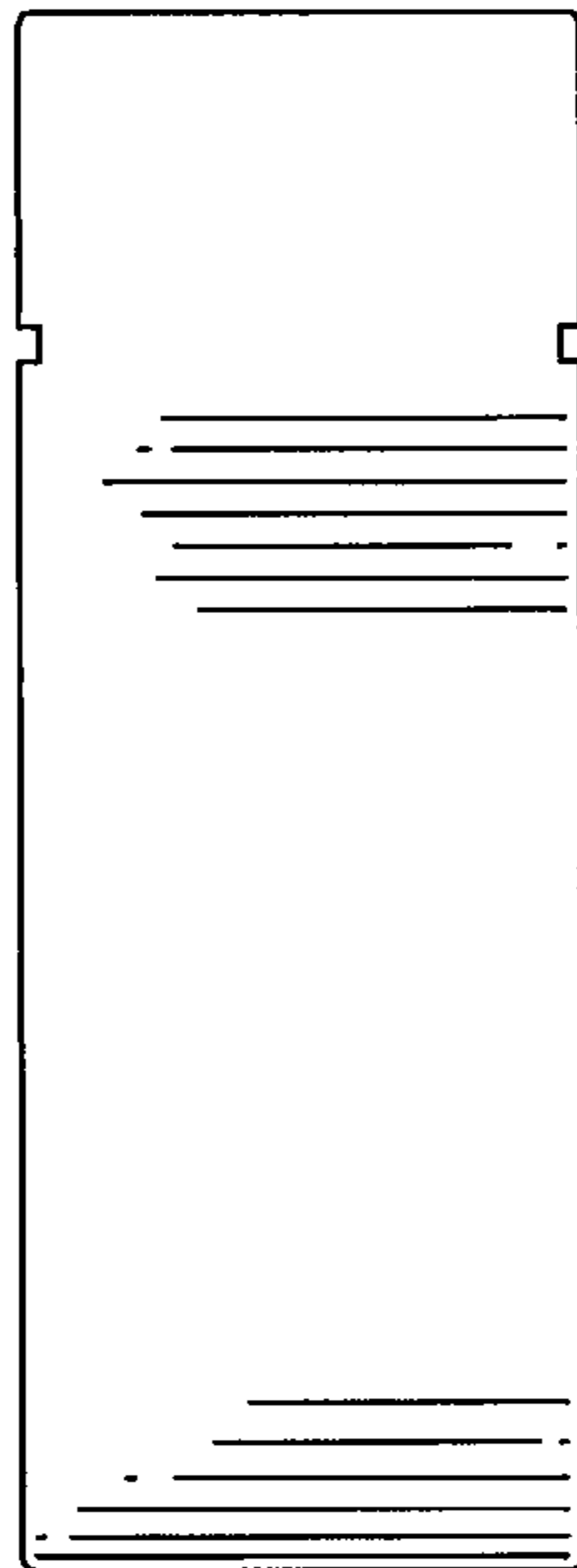


FIG. 5

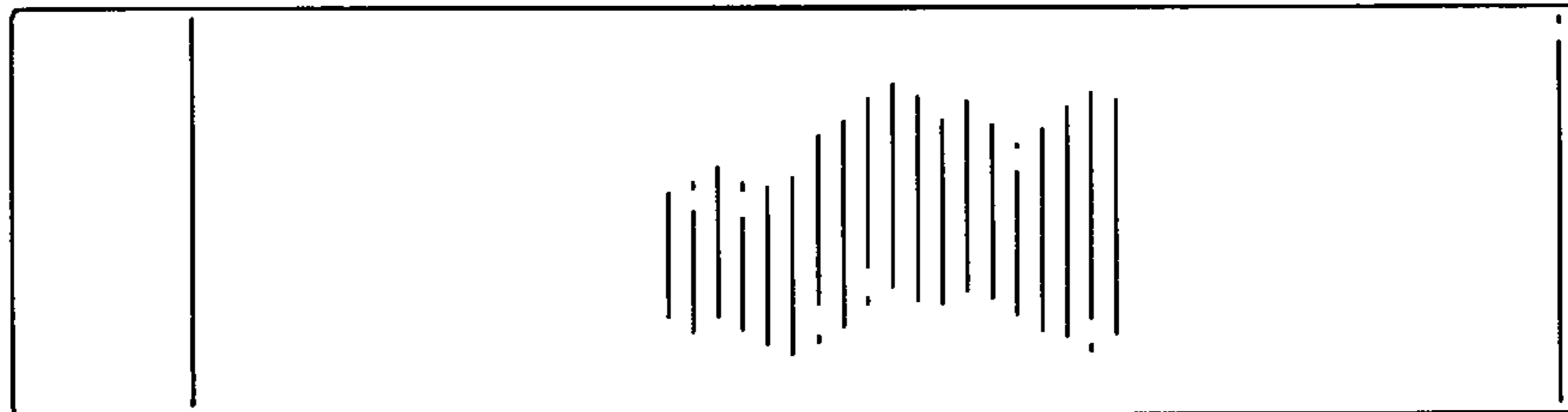


FIG. 6

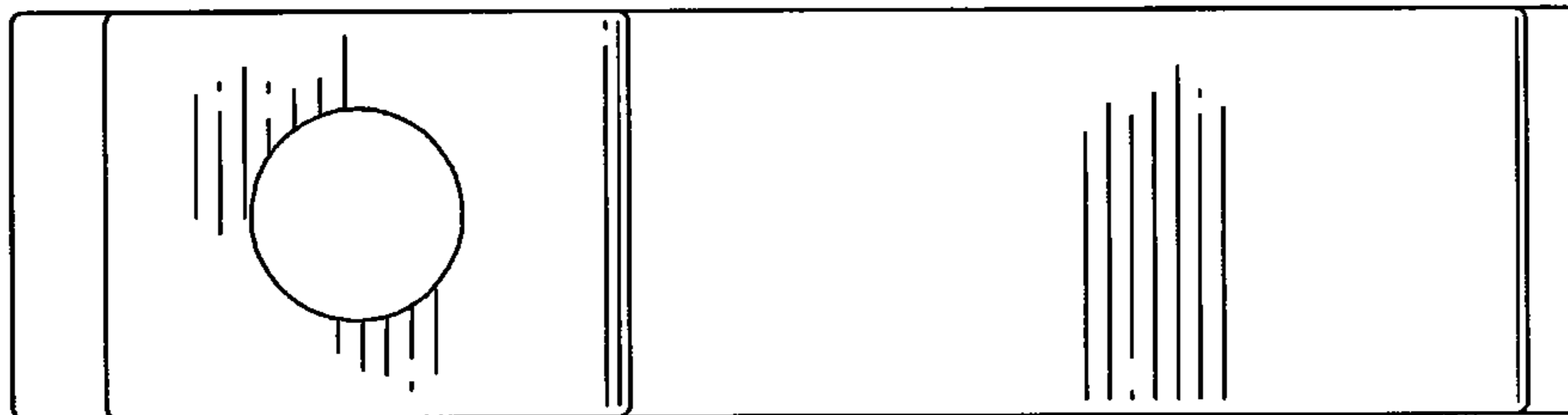


FIG. 7

UNITED STATES PATENT AND TRADEMARK OFFICE
CERTIFICATE OF CORRECTION

PATENT NO. : D734,722 S
APPLICATION NO. : 29/471923
DATED : July 21, 2015
INVENTOR(S) : Rick Ojeda

Page 1 of 1

It is certified that error appears in the above-identified patent and that said Letters Patent is hereby corrected as shown below:

Title page of the patent, Item 12 the name of the inventor "Ojeda, Jr." should read --Ojeda--, and Item 72 the name of the inventor "Rick Ojeda, Jr." should read --Rick Ojeda--.

Signed and Sealed this
Eighth Day of November, 2016



Michelle K. Lee
Director of the United States Patent and Trademark Office