



US00D734721S

(12) **United States Design Patent**
Fujiwara

(10) **Patent No.:** **US D734,721 S**
(45) **Date of Patent:** **** Jul. 21, 2015**

(54) **INTERNAL-COMBUSTION ENGINE**

(71) Applicant: **HONDA MOTOR CO., LTD**, Tokyo
(JP)

(72) Inventor: **Masato Fujiwara**, Wako (JP)

(73) Assignee: **HONDA MOTOR CO., LTD**, Tokyo
(JP)

(**) Term: **14 Years**

(21) Appl. No.: **29/448,423**

(22) Filed: **Mar. 12, 2013**

(30) **Foreign Application Priority Data**

Sep. 27, 2012 (JP) 2012-023513

(51) **LOC (10) Cl.** **13-01**

(52) **U.S. Cl.**
USPC **D13/112; D15/5**

(58) **Field of Classification Search**
USPC 180/189.1; 290/1 A, 20; 310/10, 40 R,
310/51, 58, 85, 89, 91, 236, 239, 254.1;
D13/110, 112, 114, 122, 184; D15/1,
D15/10, 17, 199, 28, 3, 5; D25/199

CPC F02B 63/04
See application file for complete search history.

(56) **References Cited**

U.S. PATENT DOCUMENTS

D353,381 S * 12/1994 Yoshida et al. D15/1
D367,070 S * 2/1996 Maeda et al. D15/1
D396,045 S * 7/1998 Neeley D15/1
D397,342 S * 8/1998 Shimizu D15/5
D487,751 S * 3/2004 Neeley et al. D15/5
D513,012 S * 12/2005 Strandell et al. D15/5

D513,754 S * 1/2006 Strandell et al. D15/5
D527,022 S * 8/2006 Walters D15/5
D527,741 S * 9/2006 Vervoorn D15/5
D557,280 S 12/2007 Osumi
D594,878 S * 6/2009 Post et al. D15/5

FOREIGN PATENT DOCUMENTS

NO 080062 9/2006

OTHER PUBLICATIONS

Supplimental Novelty Search Report issued in corresponding Norway Design Application No. 20130253 dated May 23, 2013 with English translation (4 pages).

* cited by examiner

Primary Examiner — Derrick Holland

Assistant Examiner — Jennifer O King

(74) *Attorney, Agent, or Firm* — Westerman, Hattori, Daniels & Adrian, LLP

(57) **CLAIM**

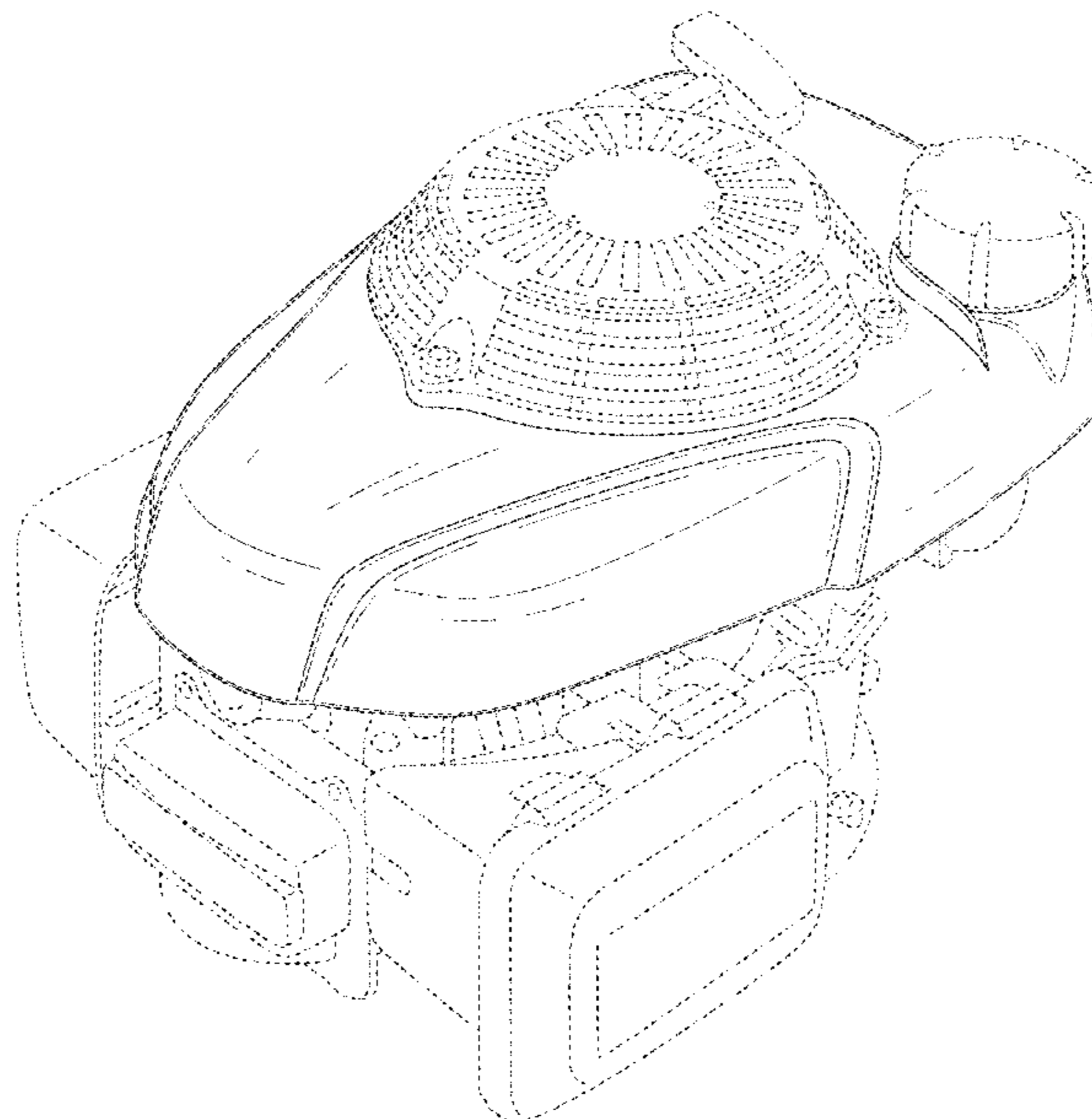
What is claimed is; the ornamental design for, an internal-combustion engine, as shown and described.

DESCRIPTION

FIG. 1 is a first perspective view of an internal-combustion engine, showing my new design;
FIG. 2 is a second perspective view thereof;
FIG. 3 is a front elevation view thereof;
FIG. 4 is a rear elevation view thereof;
FIG. 5 is a top plan view thereof;
FIG. 6 is a bottom plan view thereof;
FIG. 7 is a right side elevation view thereof; and,
FIG. 8 is a left side elevation view thereof.

The broken lines shown represent unclaimed subject matter and form no part of the claimed design.

1 Claim, 7 Drawing Sheets



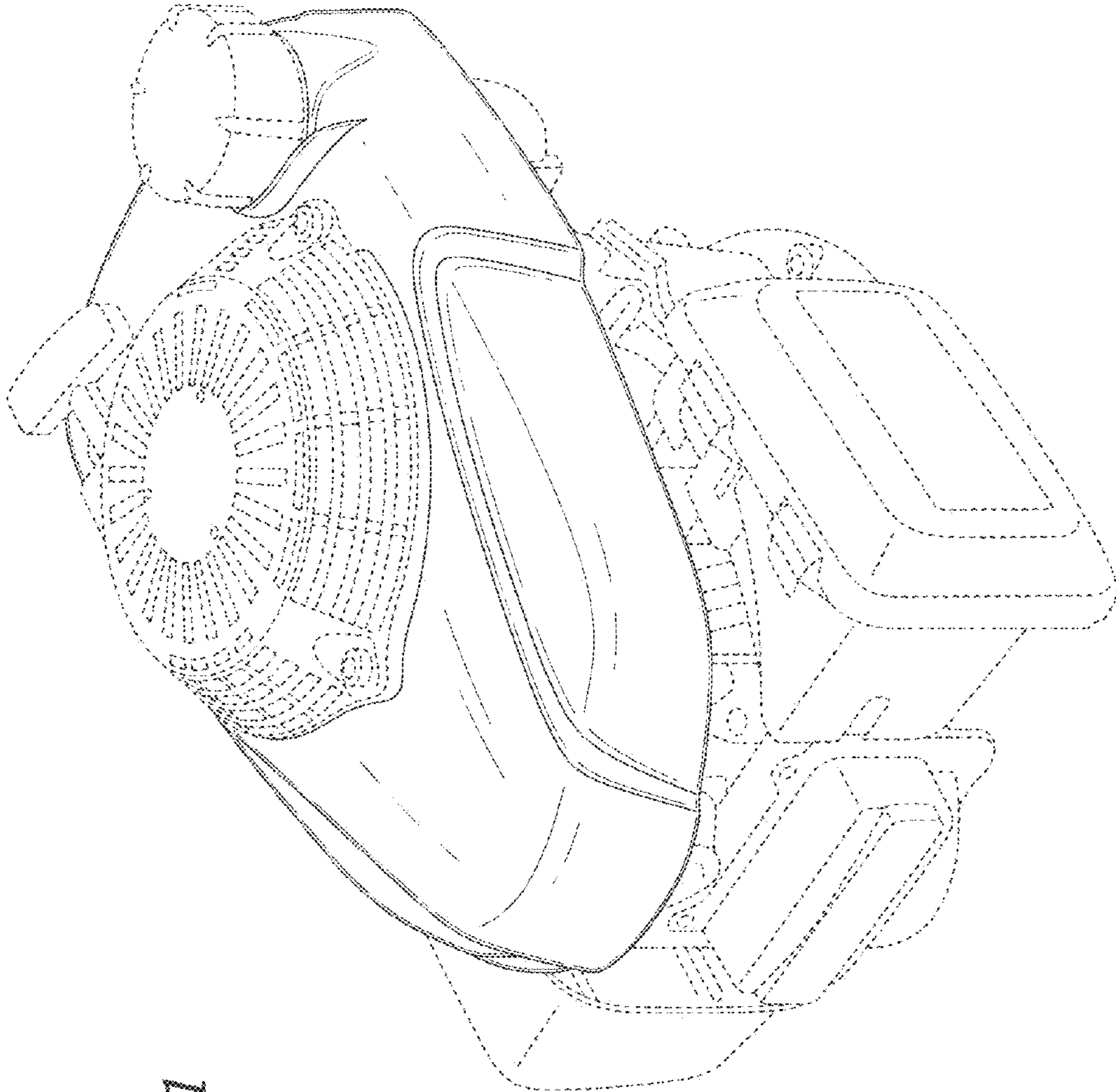


Fig. 1

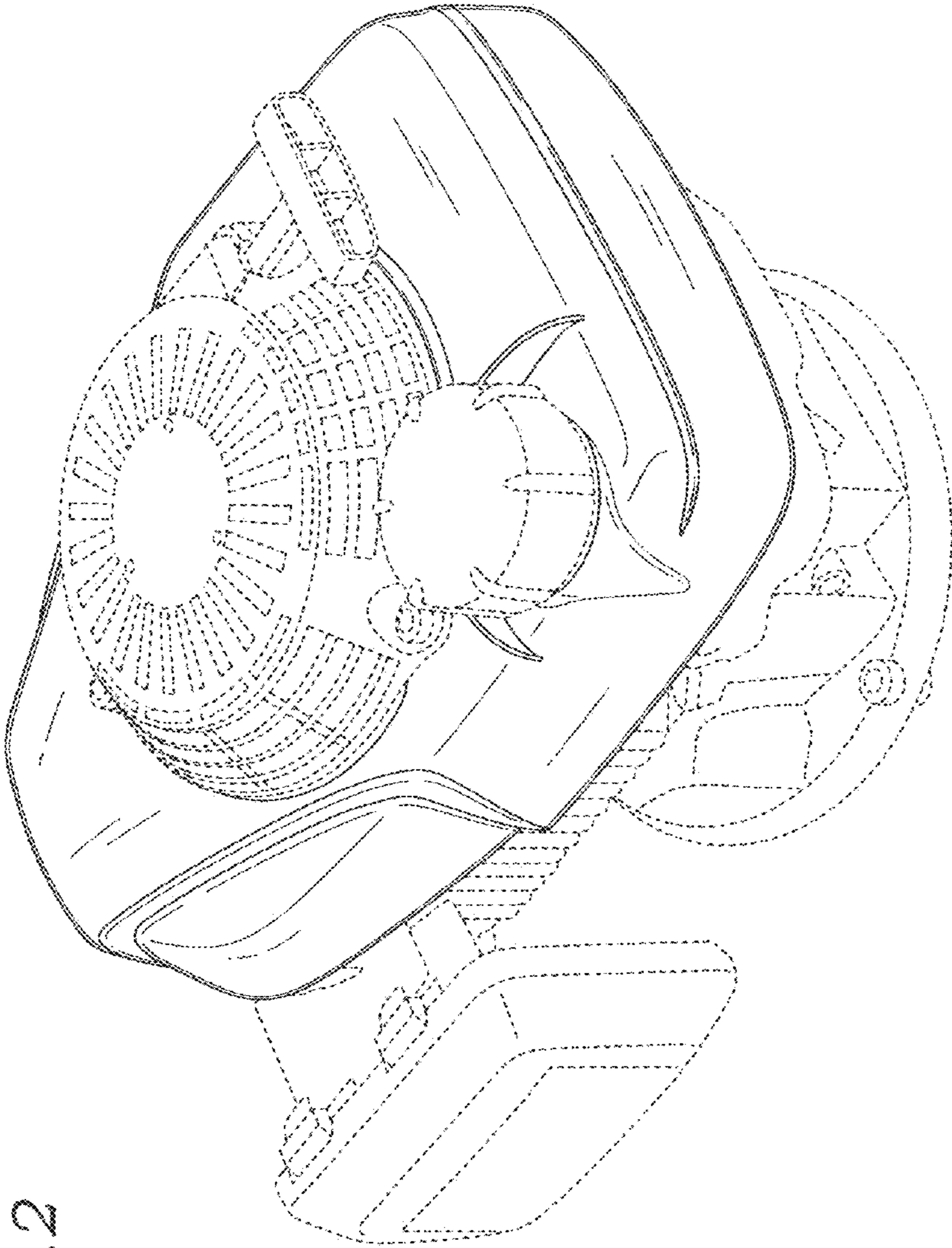


Fig. 2

Fig. 3

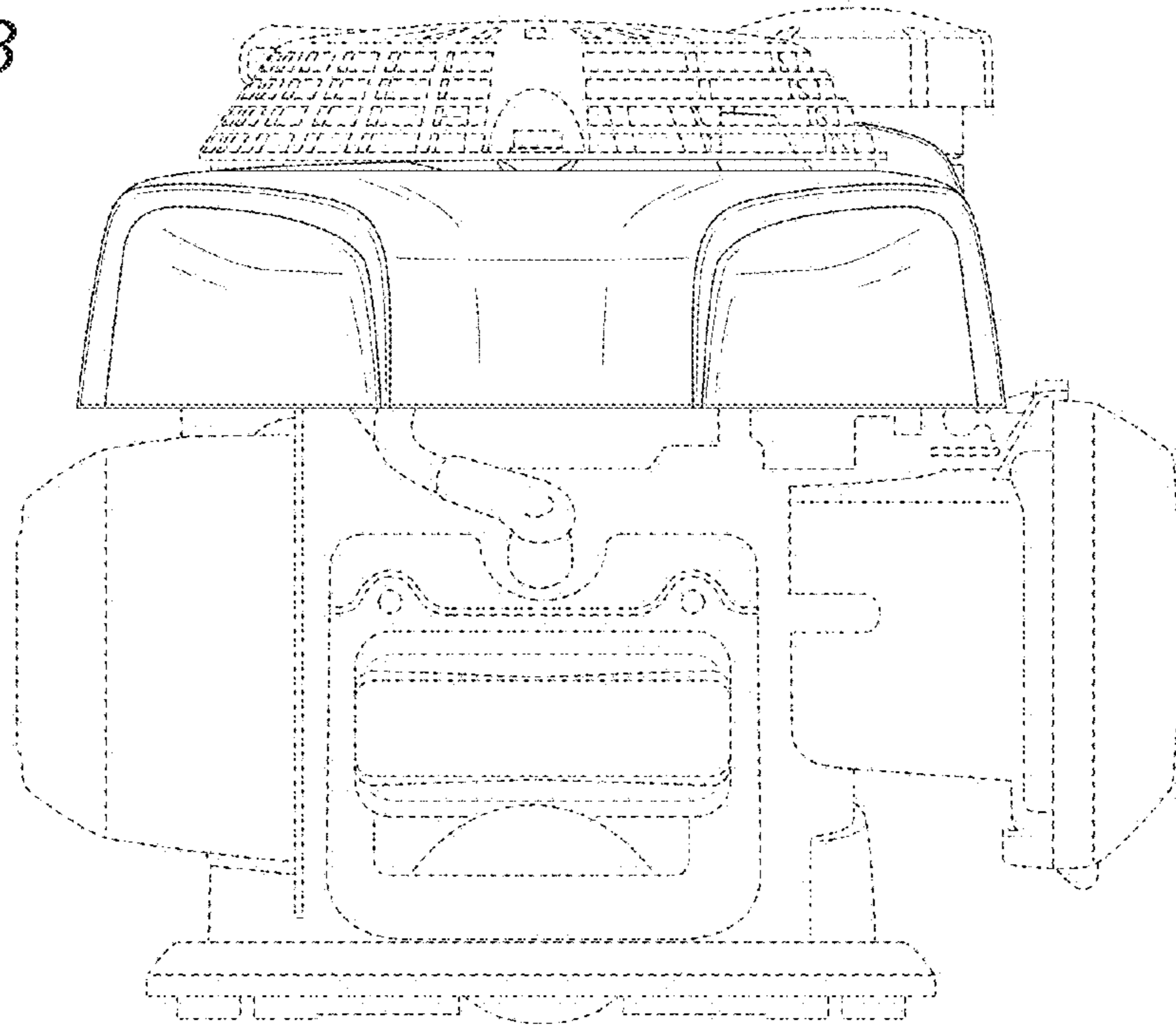


Fig. 4

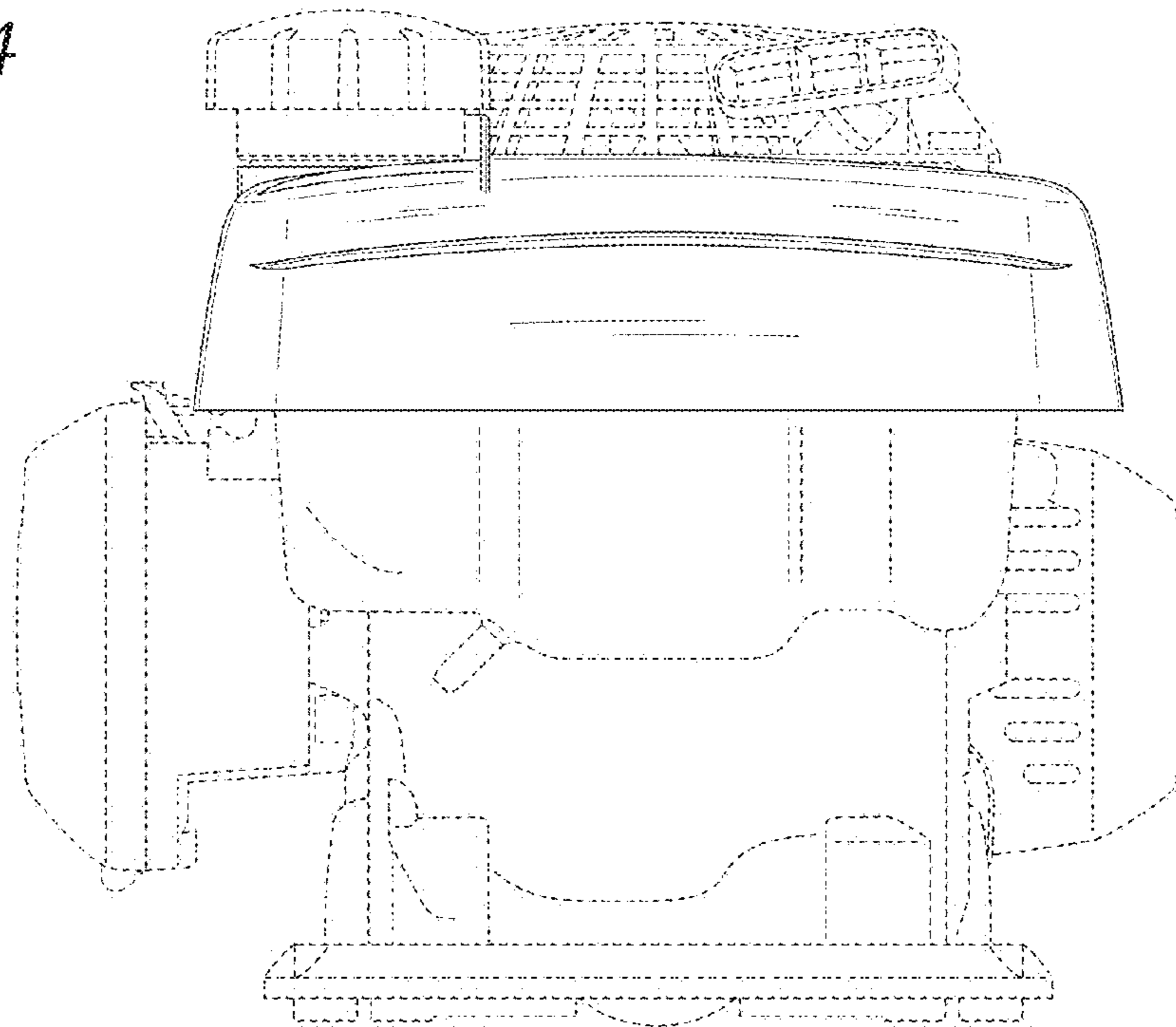


Fig. 5

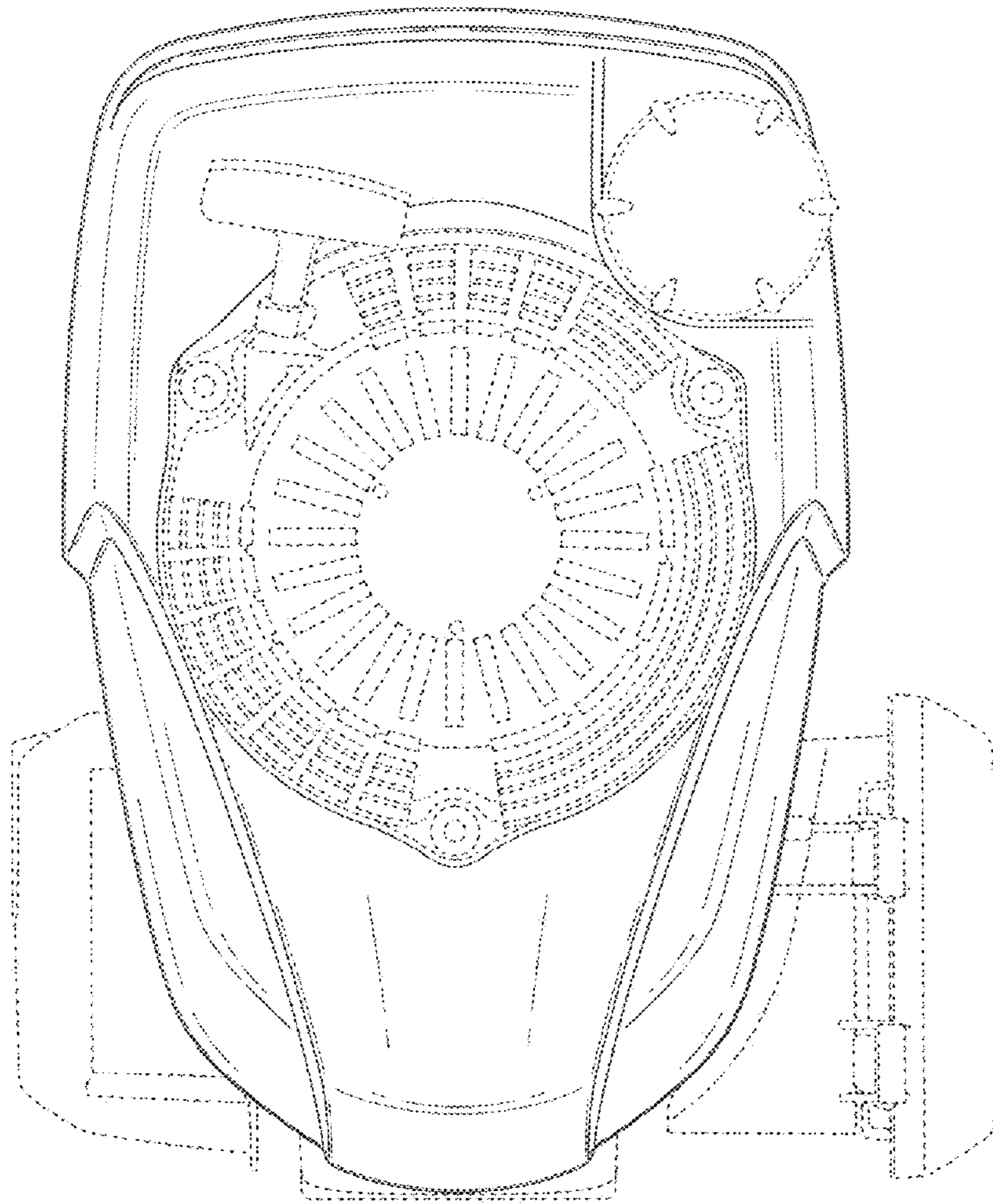
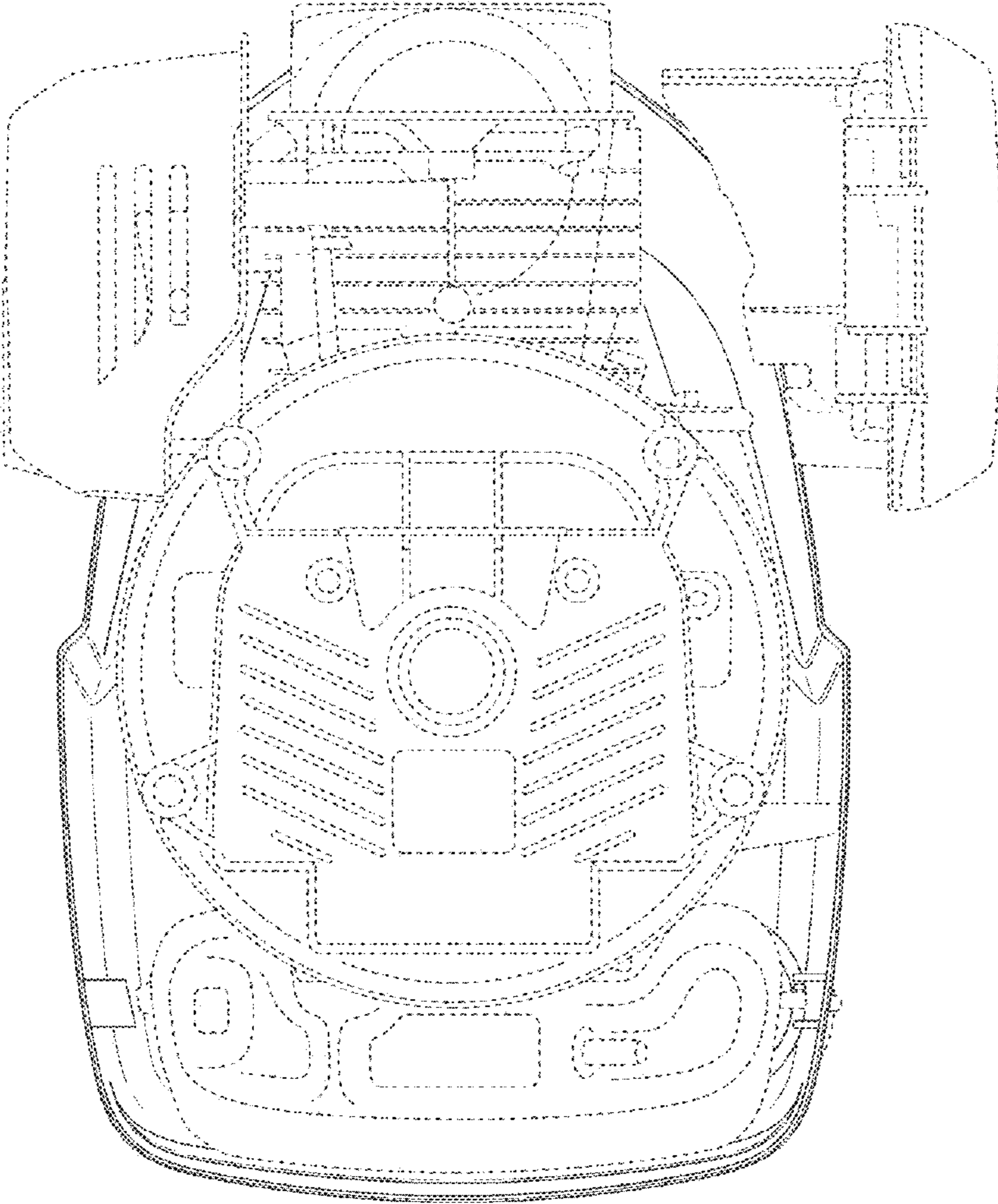


Fig. 6



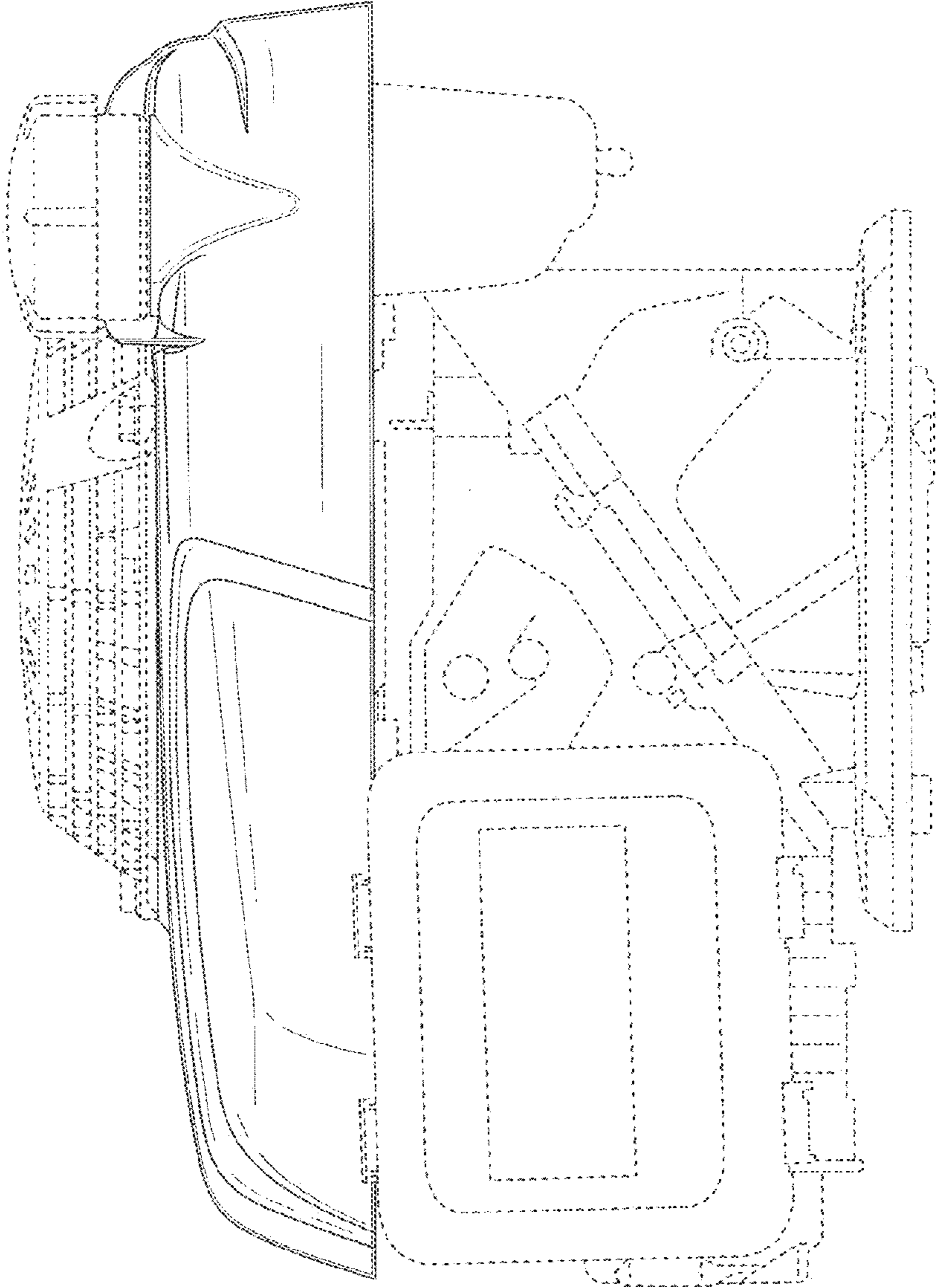


Fig. 7

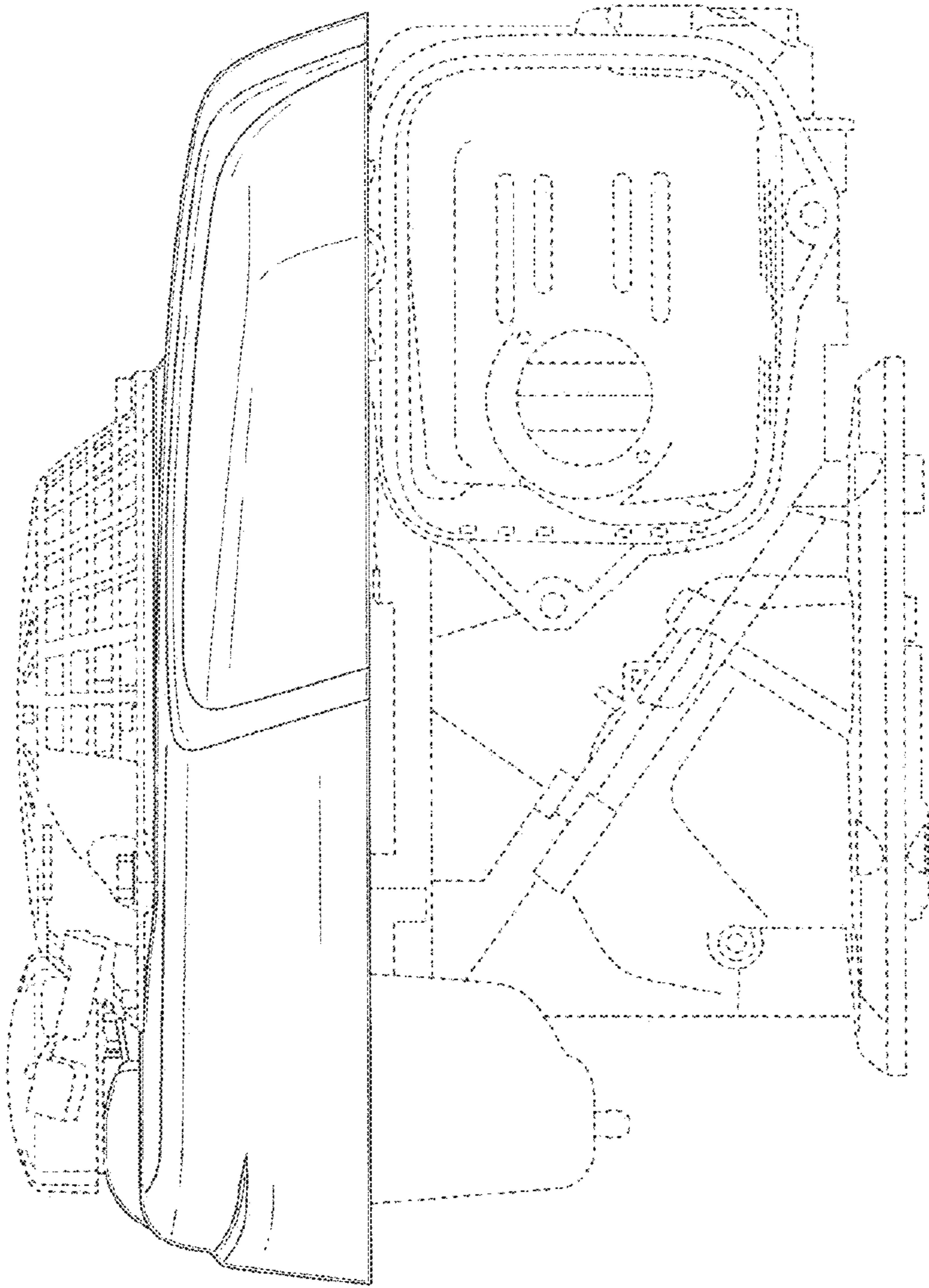


Fig. 8