



US00D734720S

(12) **United States Design Patent**  
**Alesi et al.**

(10) **Patent No.:** **US D734,720 S**  
(45) **Date of Patent:** **\*\* Jul. 21, 2015**

(54) **SOCKET ADAPTER**

(71) Applicant: **Custom Accessories Inc.**, Richmond, IL (US)

(72) Inventors: **Vincent Anthony Alesi**, Richmond, IL (US); **Anthony Salvatore Ferenzi**, Richmond, IL (US)

(73) Assignee: **Custom Accessories Inc.**, Richmond, IL (US)

(\*\*) Term: **14 Years**

(21) Appl. No.: **29/495,114**

(22) Filed: **Jun. 27, 2014**

**Related U.S. Application Data**

(62) Division of application No. 29/452,996, filed on Apr. 24, 2013.

(51) **LOC (10) Cl.** ..... **13-02**

(52) **U.S. Cl.**  
USPC ..... **D13/110; D13/144**

(58) **Field of Classification Search**  
USPC ..... D13/107, 108, 110, 118, 119, 123, 124, D13/133, 134, 144, 146, 147, 154, 158, 159, D13/164, 177, 184, 199; 320/107, 108, 109, 320/110, 111, 112, 114, 115; 439/300, 439/620.1, 638, 668, 675, 825  
See application file for complete search history.

(56) **References Cited**

**U.S. PATENT DOCUMENTS**

D330,700 S \* 11/1992 Wharton ..... D13/158  
D349,096 S \* 7/1994 Hyvonen ..... D13/107  
D359,269 S \* 6/1995 Wharton ..... D13/144

D362,230 S \* 9/1995 Yokozawa ..... D13/144  
D410,432 S \* 6/1999 Park ..... D13/110  
D456,007 S \* 4/2002 Kuo ..... D13/110  
6,478,628 B1 \* 11/2002 Ming ..... 439/668  
6,842,356 B2 \* 1/2005 Hsu ..... 363/146  
D504,407 S \* 4/2005 Cohen et al. .... D14/155  
D509,792 S \* 9/2005 Hsu ..... D13/110  
D526,962 S \* 8/2006 Krieger et al. .... D13/144  
D528,077 S \* 9/2006 Yuen ..... D13/144  
D543,940 S \* 6/2007 Hussaini et al. .... D13/144  
D550,616 S \* 9/2007 Dayan ..... D13/110  
D551,166 S \* 9/2007 Dayan ..... D13/110  
D551,170 S \* 9/2007 Hussaini et al. .... D13/144  
D554,059 S \* 10/2007 Hsu ..... D13/110  
D556,730 S \* 12/2007 Yokoyama et al. .... D14/155  
D559,776 S \* 1/2008 Kim ..... D13/108

(Continued)

*Primary Examiner* — Derrick Holland

*Assistant Examiner* — Jennifer O King

(74) *Attorney, Agent, or Firm* — Leydig, Voit & Mayer, Ltd.

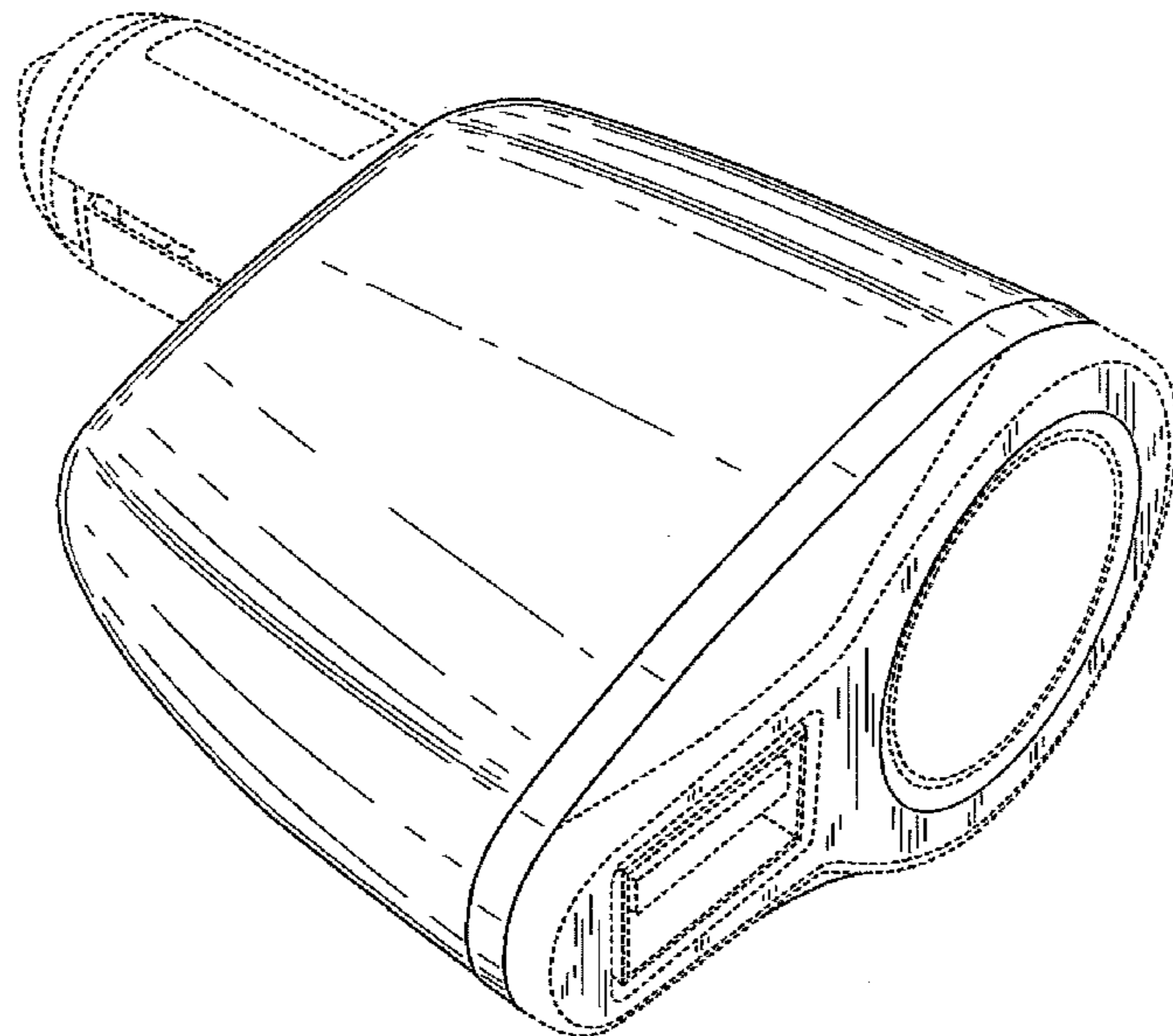
(57) **CLAIM**

The ornamental design for a socket adapter, as shown and described.

**DESCRIPTION**

FIG. 1 is a perspective view taken from the top, front, and left side of a socket adapter showing our new design; FIG. 2 is a front elevational view of the socket adapter of FIG. 1; FIG. 3 is a rear elevational view of the socket adapter of FIG. 1; FIG. 4 is a left side view of the socket adapter of FIG. 1; FIG. 5 is a right side view of the socket adapter of FIG. 1; FIG. 6 is a top view of the socket adapter of FIG. 1; and FIG. 7 is a bottom view of the socket adapter of FIG. 1. The broken lines shown represent unclaimed subject matter and form no part of the claimed design.

**1 Claim, 6 Drawing Sheets**



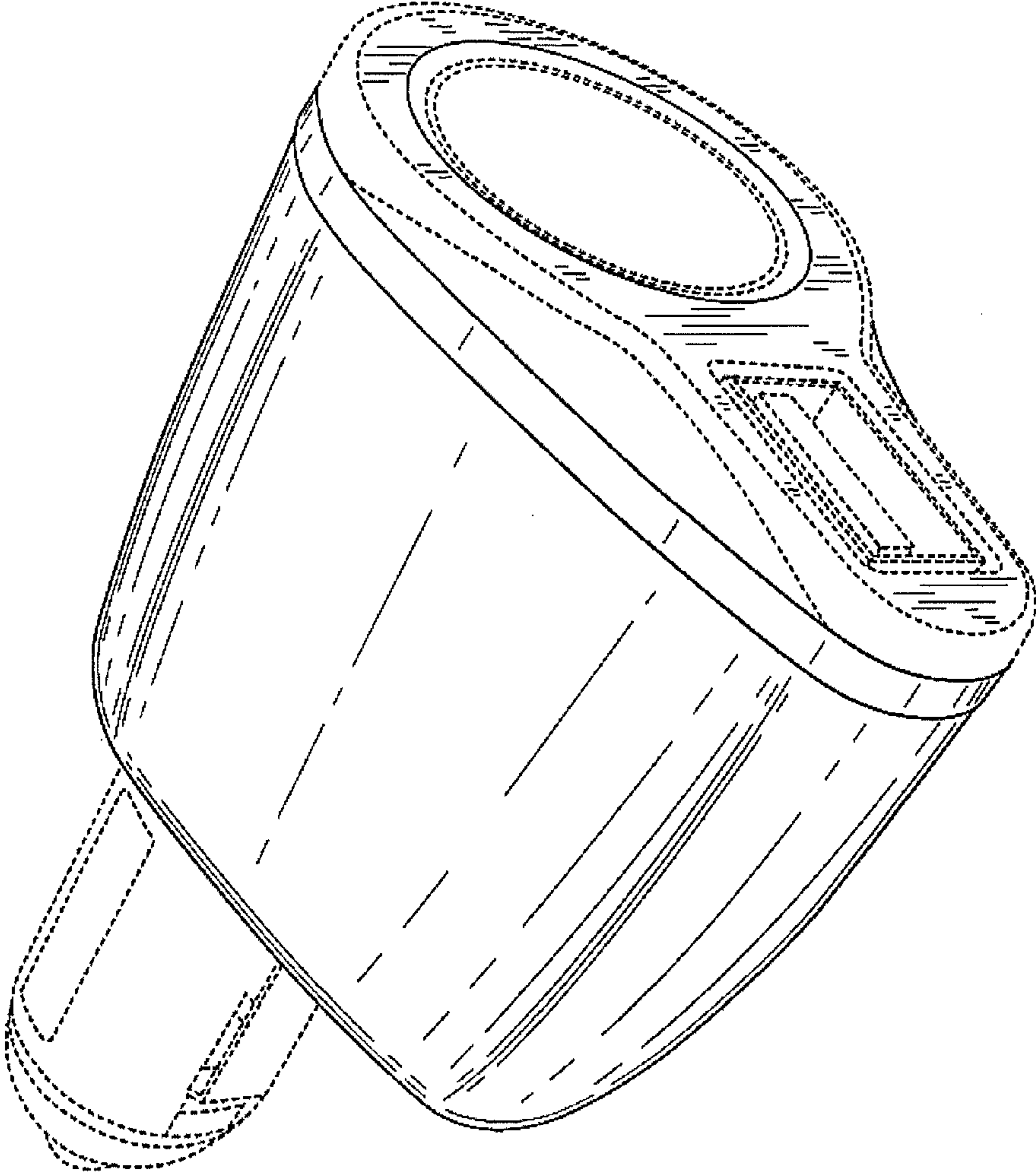
(56)

**References Cited**

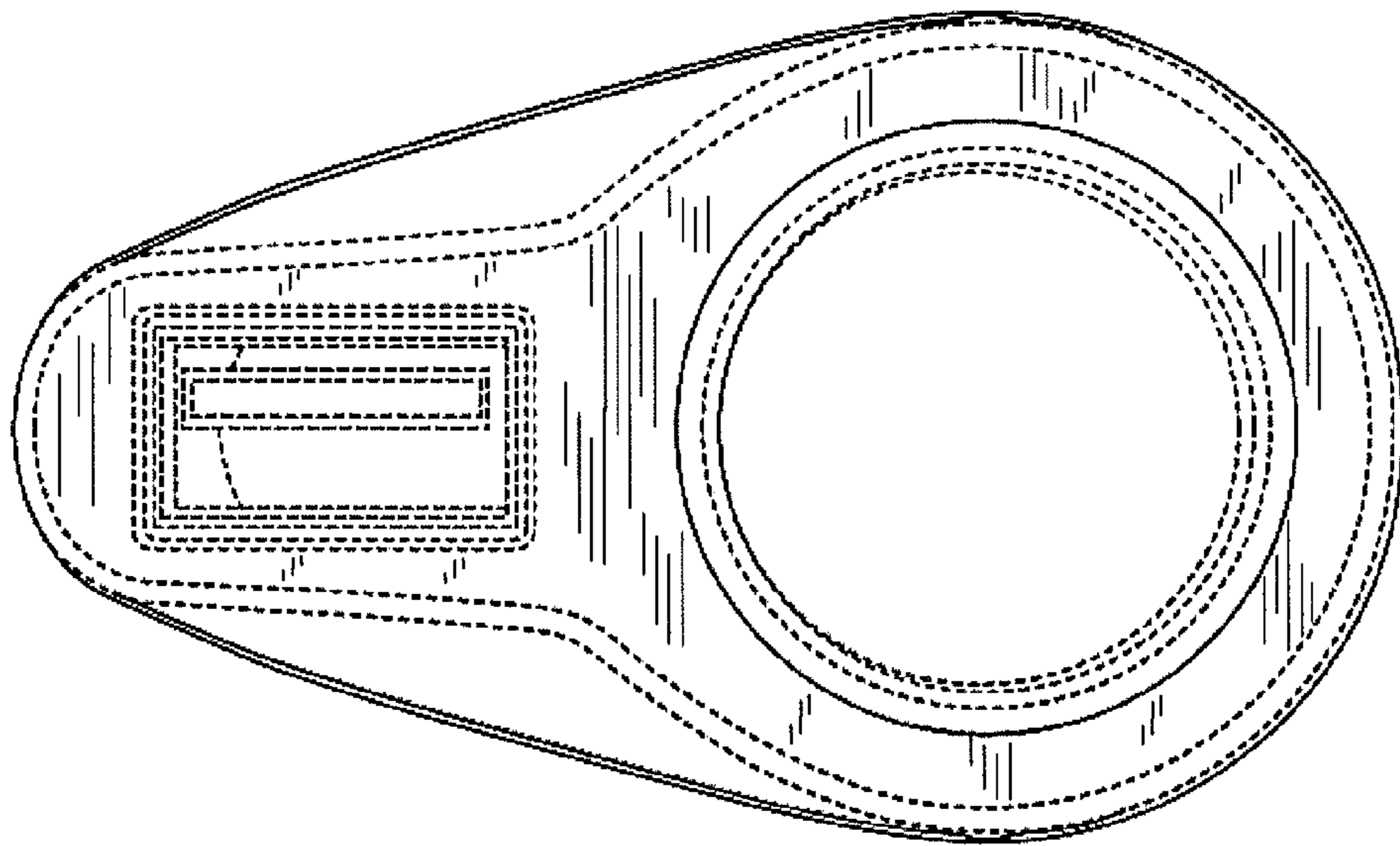
U.S. PATENT DOCUMENTS

7,351,111	B2 *	4/2008	Cheng	439/638	D625,267	S *	10/2010	Tseng et al.	D13/144
7,500,881	B1 *	3/2009	Lin	439/668	D632,652	S *	2/2011	Wikel et al.	D13/144
D592,598	S *	5/2009	Kettula	D13/144	7,990,104	B2 *	8/2011	Chen et al.	320/111
7,686,657	B1 *	3/2010	Chan et al.	439/668	D656,899	S *	4/2012	Webb et al.	D13/144
D617,278	S *	6/2010	Tang et al.	D13/144	D687,378	S *	8/2013	Iacovelli et al.	D13/110
					D700,573	S *	3/2014	Esses	D13/108
					2002/0119708	A1 *	8/2002	Eisenbraun	439/668
					2005/0227708	A1 *	10/2005	Peng	455/456.1

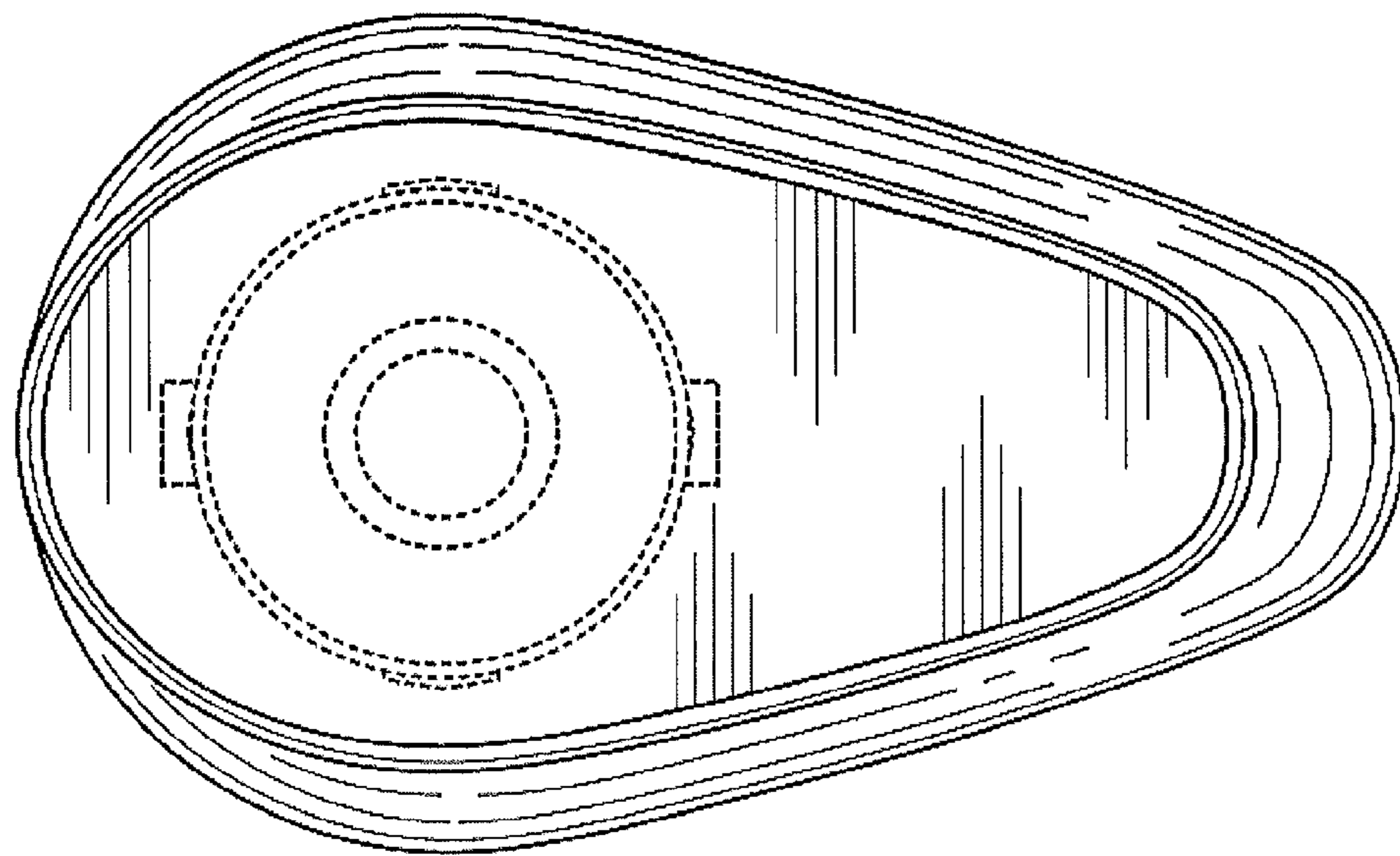
\* cited by examiner



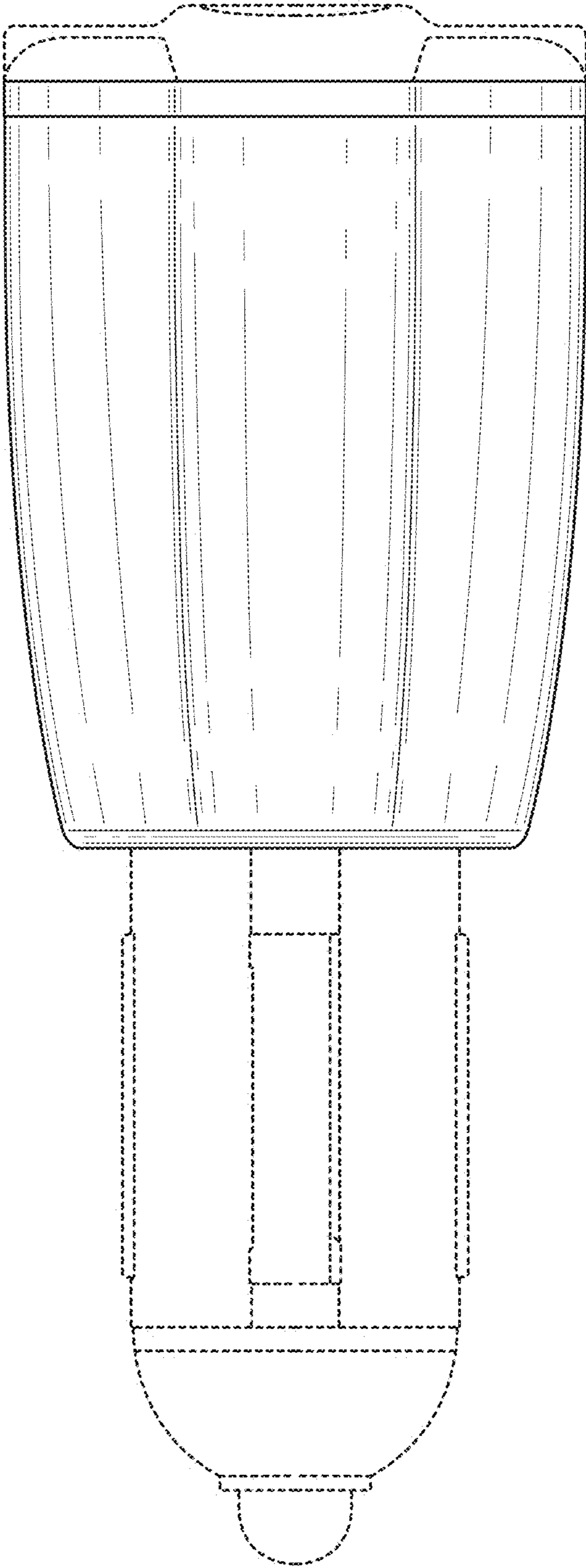
**FIG. 1**



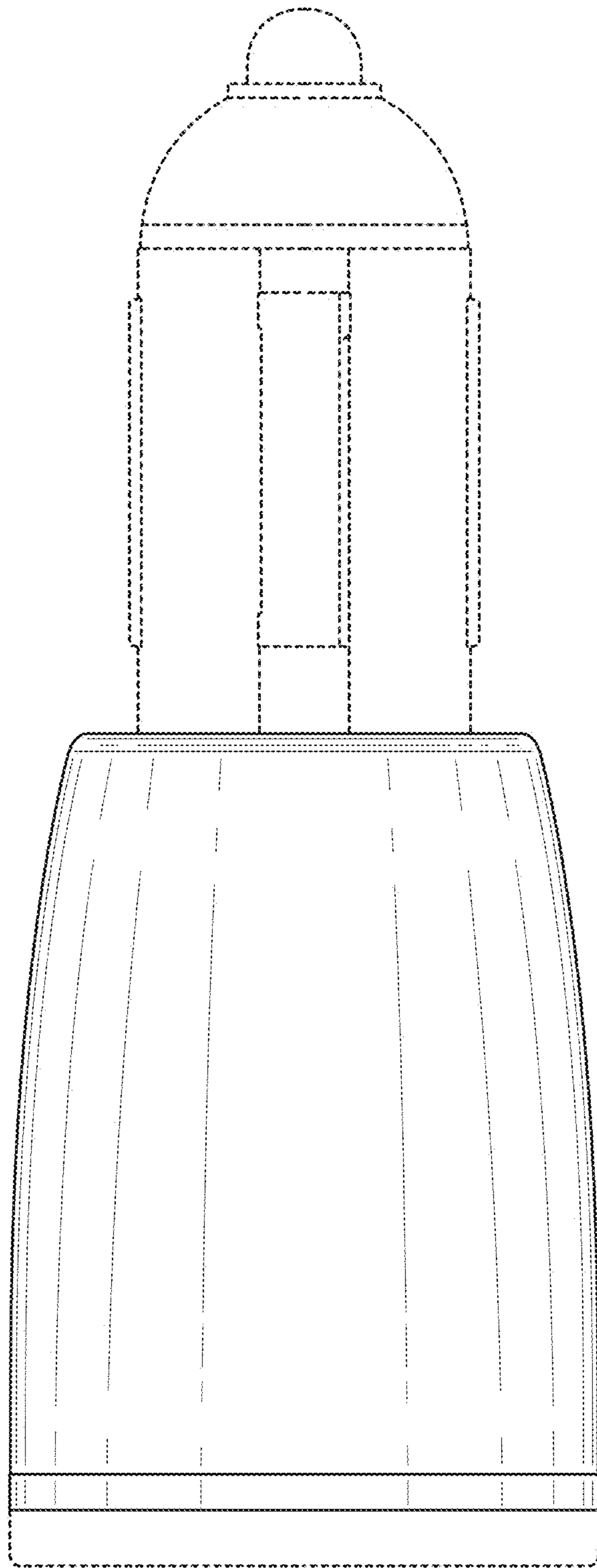
**FIG. 2**



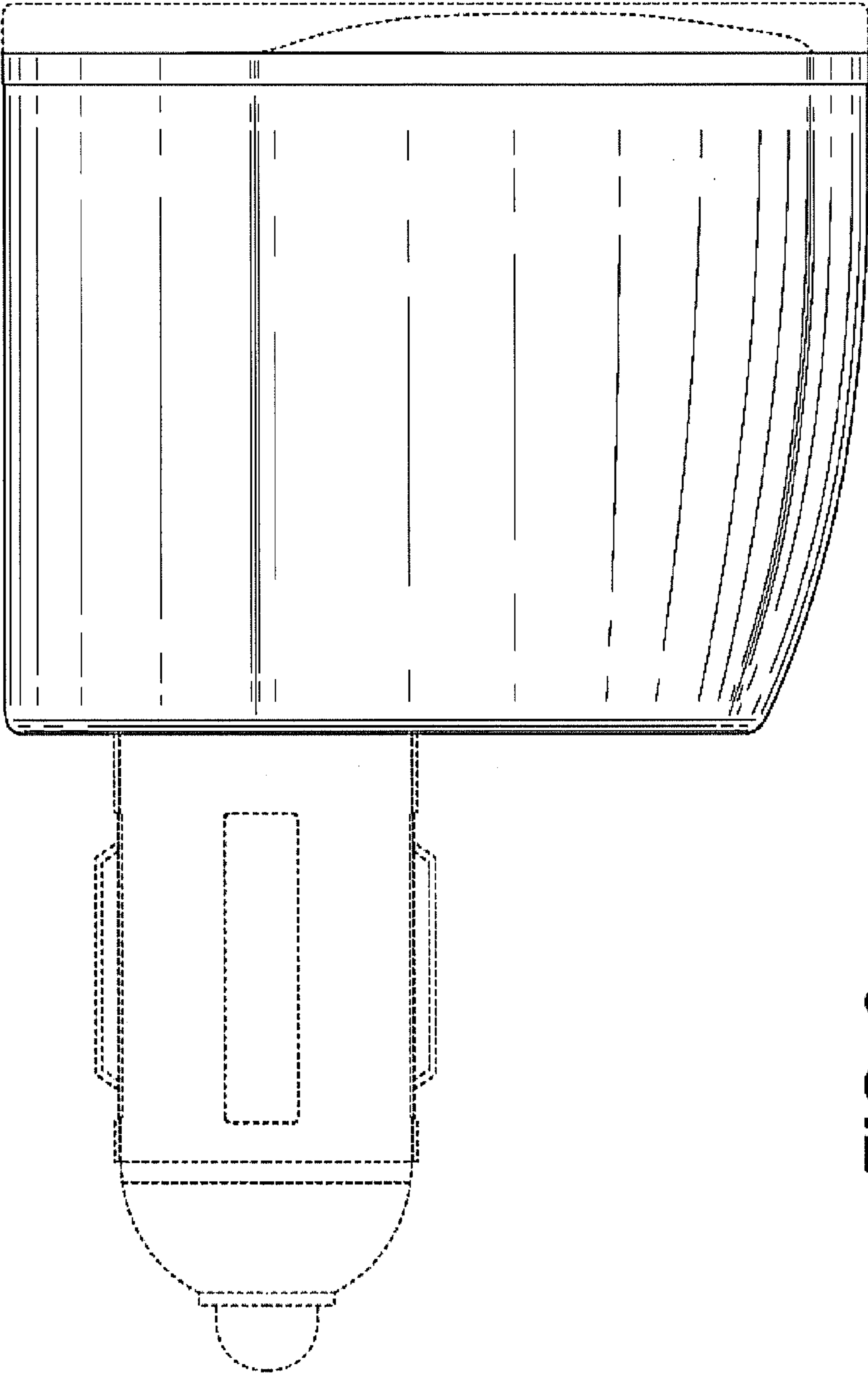
**FIG. 3**



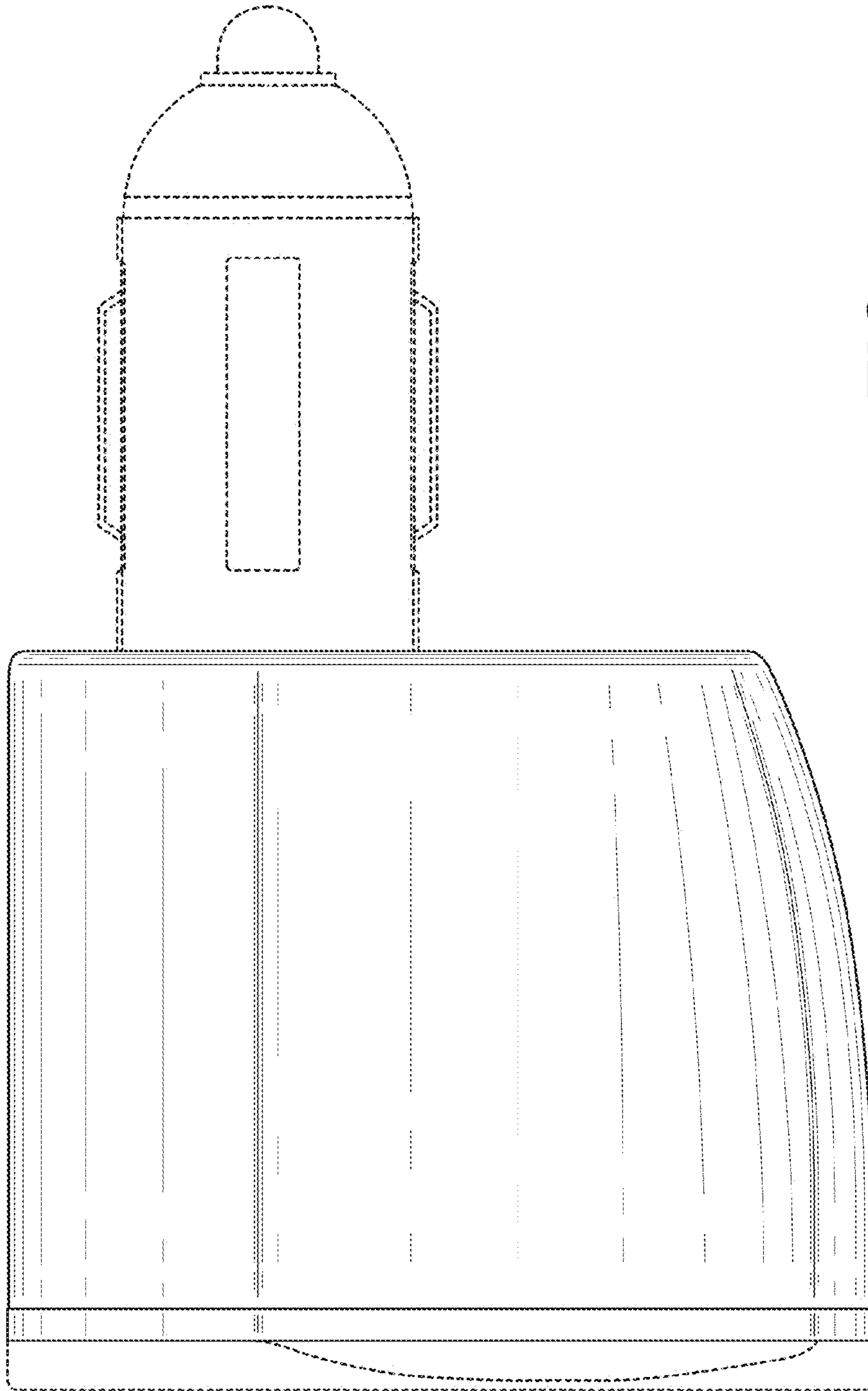
**FIG. 4**



**FIG. 5**



**FIG. 6**



**FIG. 7**