



US00D734719S

(12) **United States Design Patent**
Johnson

(10) **Patent No.:** **US D734,719 S**
(45) **Date of Patent:** **** Jul. 21, 2015**

(54) **PORTABLE POWER SYSTEM**
(71) Applicant: **Kwan Love Johnson**, Pharr, TX (US)
(72) Inventor: **Kwan Love Johnson**, Pharr, TX (US)
(**) Term: **14 Years**
(21) Appl. No.: **29/465,761**
(22) Filed: **Aug. 30, 2013**
(51) **LOC (10) Cl.** **13-02**
(52) **U.S. Cl.**
USPC **D13/109; D13/110**
(58) **Field of Classification Search**
USPC D13/107-110, 118-119, 184, 199;
D15/9; 320/103-115
CPC Y02E 60/12; Y02T 90/14; Y02T 90/122;
Y02T 90/128; Y02T 90/163; Y02T 10/7005;
Y02T 10/705; Y02T 10/7088; H02J 7/025;
H02J 7/0034; H02J 7/0042; H02J 7/0044;
H02J 7/0045; H02J 7/0054; H02J 7/1423;
H02J 7/0003; H02J 2001/006; H01F 38/14;
H01R 13/6675; H01M 2/1022; H01M 2/1055;
H01M 10/44; H01M 10/46; H01M 10/425;
B60L 11/182
See application file for complete search history.

D163,645 S * 6/1951 Shuler et al. D13/109
2,565,273 A * 8/1951 Shuler et al. 320/105
D240,836 S * 8/1976 Corvette D13/109
D248,942 S * 8/1978 Kniss D13/109
4,667,141 A * 5/1987 Steele 320/105
4,902,955 A * 2/1990 Manis et al. 320/105
5,083,076 A * 1/1992 Scott 320/105
D425,018 S * 5/2000 Madura et al. D13/110
D428,605 S * 7/2000 Claprod et al. D13/184
D432,098 S * 10/2000 Nelson et al. D13/184
D475,680 S * 6/2003 Krieger et al. D13/109
D664,090 S * 7/2012 Inskeep D13/107
D674,340 S * 1/2013 Wada D13/109

* cited by examiner

Primary Examiner — Rosemary K Tarcza

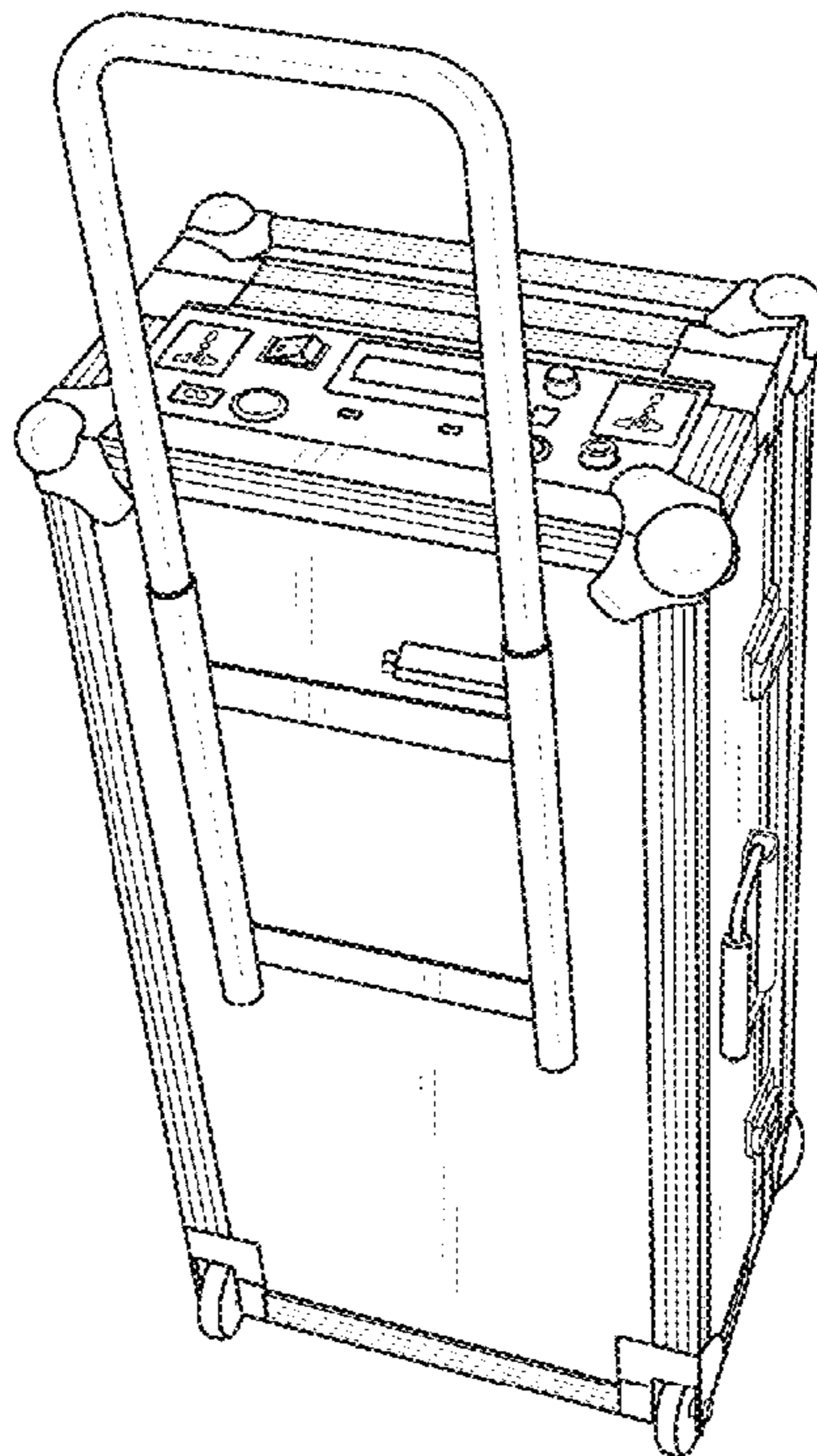
(57) **CLAIM**
The ornamental design for a portable power system, as shown and described.

DESCRIPTION

FIG. 1 is a perspective front view of a portable power system; FIG. 2 is a front elevation view of the portable power system; FIG. 3 is a rear elevation view of the portable power system; FIG. 4 is a left side elevation view of the portable power system; FIG. 5 is a right side elevation view of the portable power system; FIG. 6 is a top plan view of the portable power system; and, FIG. 7 is a bottom plan view of the portable power system.

(56) **References Cited**
U.S. PATENT DOCUMENTS
D129,408 S * 9/1941 Christie D13/109
D143,027 S * 11/1945 Pugh D13/109

1 Claim, 3 Drawing Sheets



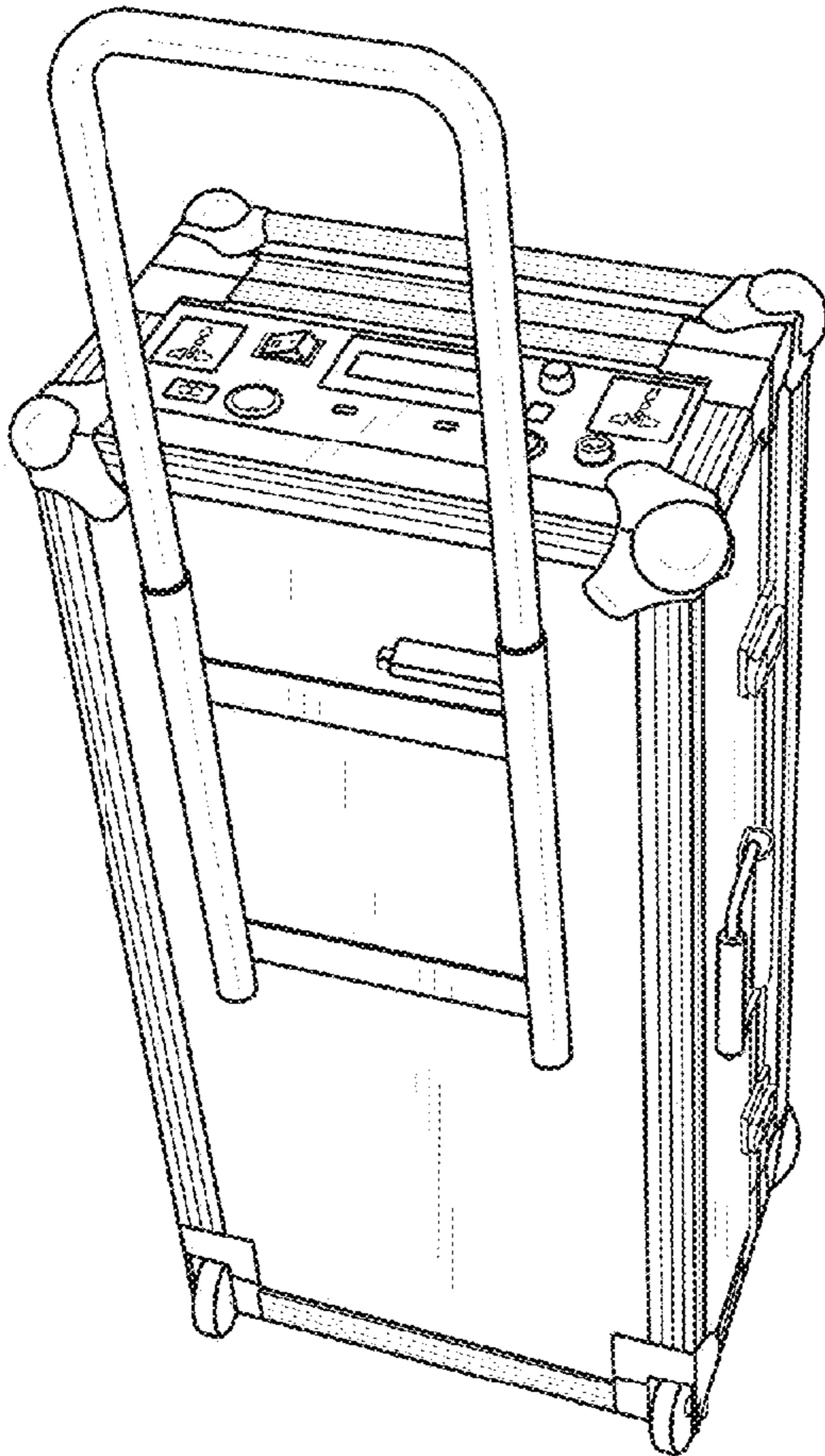


FIG. 1

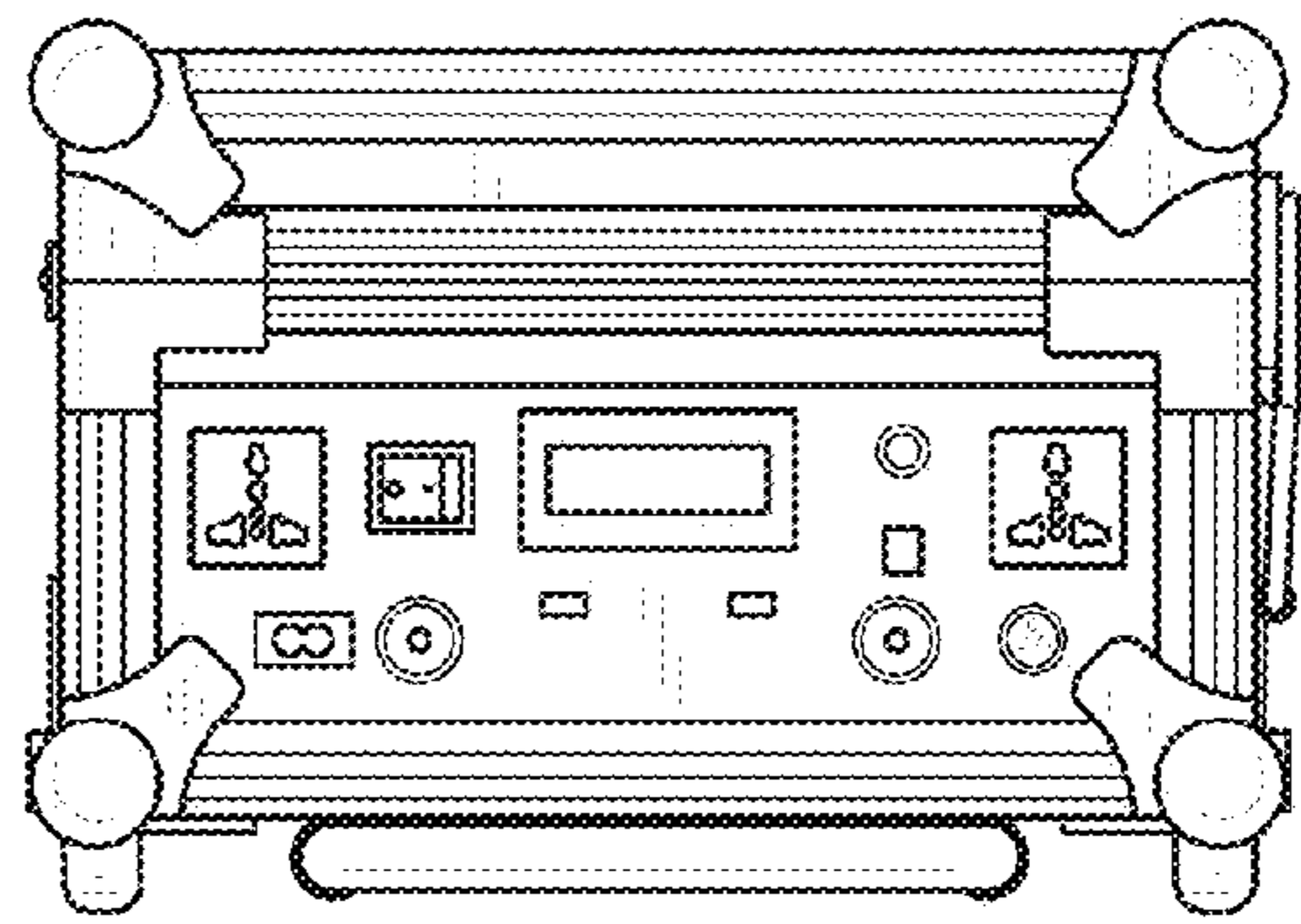


FIG. 6

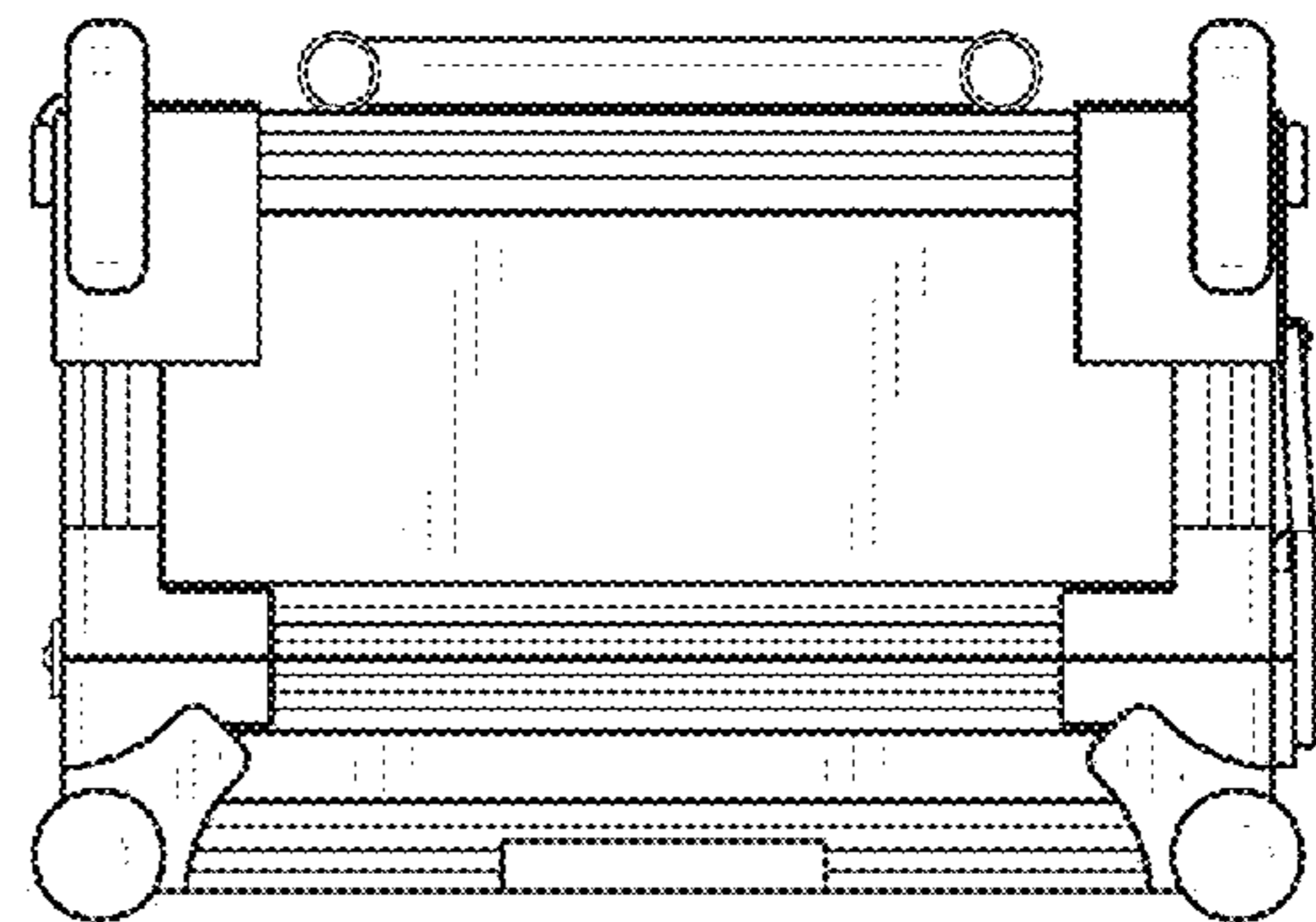


FIG. 7

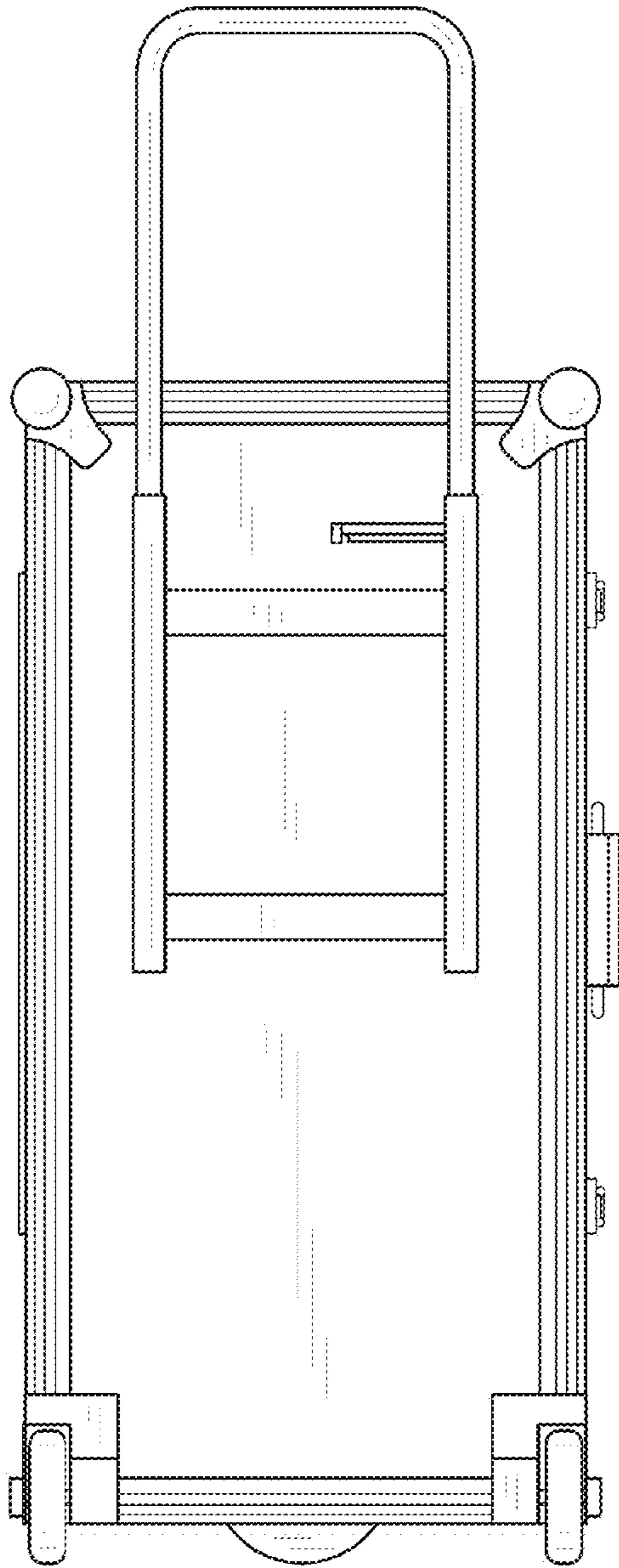


FIG. 2

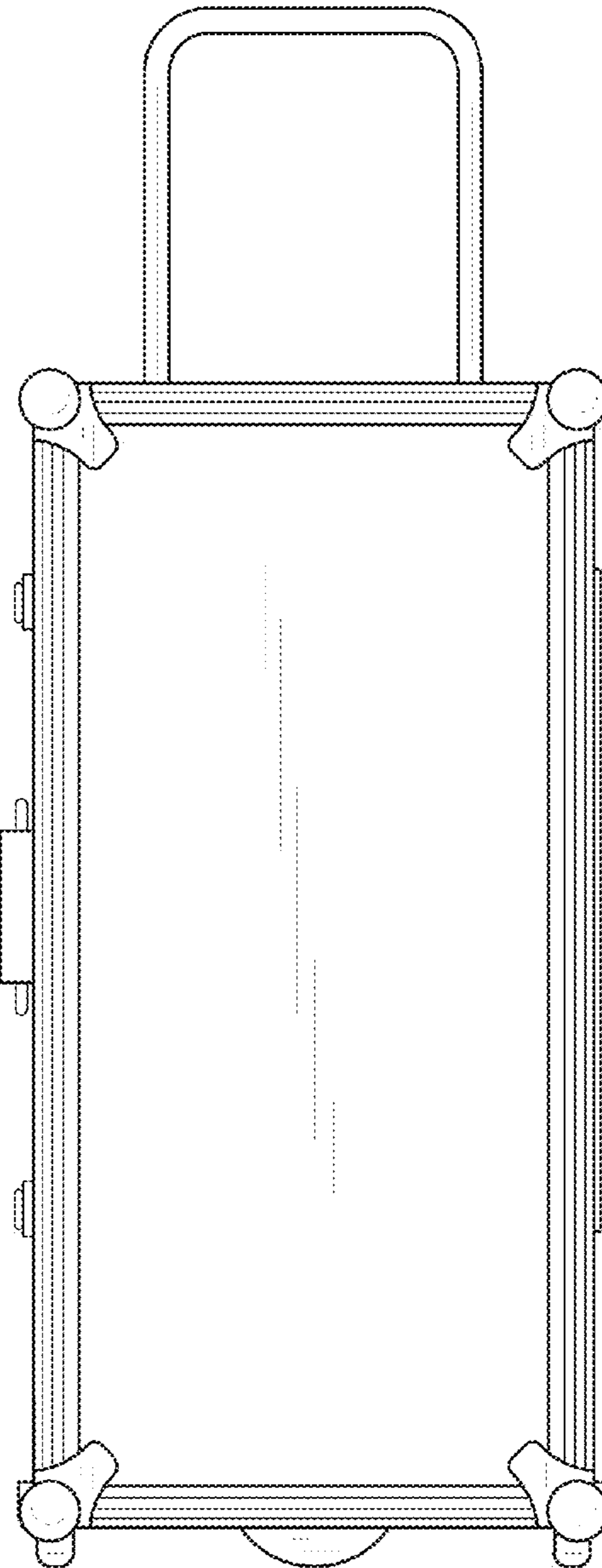


FIG. 3

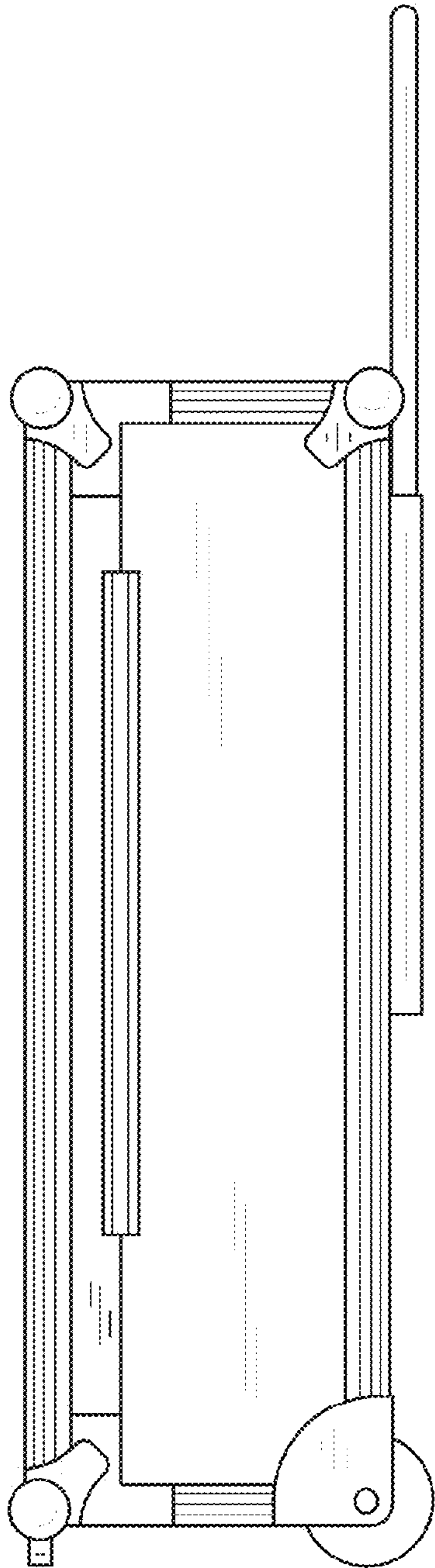


FIG. 4

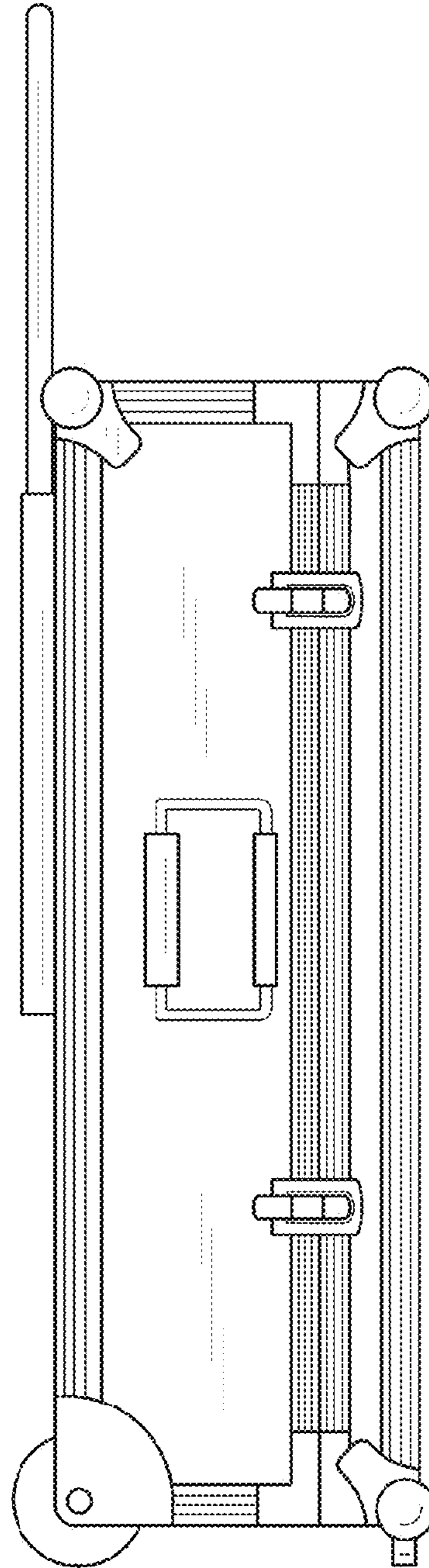


FIG. 5