



US00D734717S

(12) **United States Design Patent**
Dvorak et al.

(10) **Patent No.:** **US D734,717 S**
(45) **Date of Patent:** **** Jul. 21, 2015**

(54) **POWER TOOL ACCESSORY**

(71) Applicants: **Robert Bosch Tool Corporation**,
Broadview, IL (US); **Robert Bosch GmbH**,
Stuttgart (DE)

(72) Inventors: **Christopher Ryan Dvorak**, Chicago, IL
(US); **Dena Nejad**, Mount Prospect, IL
(US); **Adam Erwin**, Chicago, IL (US)

(73) Assignee: **Robert Bosch GmbH**, Stuttgart, DE
(US)

(**) Term: **14 Years**

(21) Appl. No.: **29/483,632**

(22) Filed: **Feb. 28, 2014**

(51) **LOC (10) Cl.** **13-02**

(52) **U.S. Cl.**
USPC **D13/107; D8/70**

(58) **Field of Classification Search**
USPC D8/70, 71, 74; D15/140; 108/115, 127,
108/161, 173; 144/48.6, 135.2, 136.95,
144/154.5; 248/149, 168, 169, 177.1, 188;
297/156, 188.2, 188.21
CPC B25F 5/021; B25F 5/029; B27C 5/10
See application file for complete search history.

(56) **References Cited**

U.S. PATENT DOCUMENTS

D358,801 S * 5/1995 Vos D13/108
D400,499 S * 11/1998 Bunyea D13/107
D416,536 S * 11/1999 Ross et al. D13/107

(Continued)

Primary Examiner — Philip S Hyder

Assistant Examiner — Darlington Ly

(74) *Attorney, Agent, or Firm* — Maginot Moore & Beck
LLP

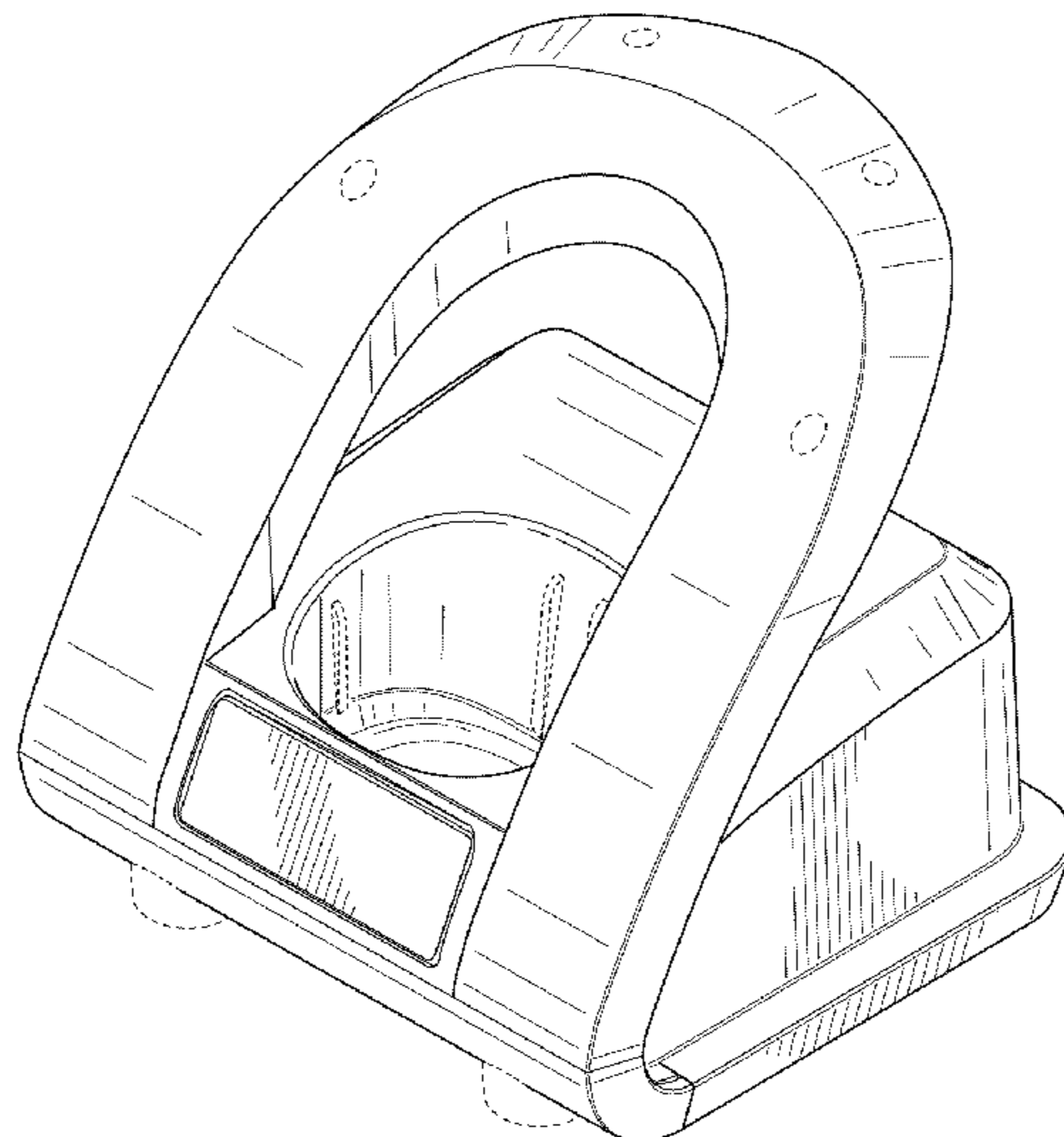
(57) **CLAIM**

The ornamental design for a power tool accessory, as shown
and described.

DESCRIPTION

FIG. 1 is a front perspective view of a power tool accessory
showing our new design;
FIG. 2 is a left side elevational view showing the design for
the power tool accessory of FIG. 1;
FIG. 3 is a right side elevational view showing the design for
the power tool accessory of FIG. 1;
FIG. 4 is a front elevational view showing the design for the
power tool accessory of FIG. 1;
FIG. 5 is a rear elevational view showing the design for the
power tool accessory of FIG. 1;
FIG. 6 is a top plan view showing the design for the power tool
accessory of FIG. 1; and,
FIG. 7 is a bottom plan view showing the design for the power
tool accessory of FIG. 1.
FIG. 8 is a front perspective view of the power tool accessory
of FIG. 1 and a corresponding power tool;
FIG. 9 is a left side elevational view showing the design for
the power tool accessory and the power tool of FIG. 8;
FIG. 10 is a right side elevational view showing the design for
the power tool accessory and the power tool of FIG. 8;
FIG. 11 is a front elevational view showing the design for the
power tool accessory and the power tool of FIG. 8;
FIG. 12 is a rear elevational view showing the design for the
power tool accessory and the power tool of FIG. 8;
FIG. 13 is a top plan view showing the design for the power
tool accessory and the power tool of FIG. 8; and,
FIG. 14 is a bottom plan view showing the design for the
power tool accessory and the power tool of FIG. 8.
The broken lines shown in the figures illustrate portions of the
power tool accessory and/or the power tool that form no part
of the claimed design.

1 Claim, 10 Drawing Sheets



(56)

References Cited

U.S. PATENT DOCUMENTS

D417,430 S * 12/1999 Ko D13/107
D429,211 S * 8/2000 Ohi et al. D13/107
D475,346 S * 6/2003 McCurrach et al. D13/108
D511,745 S * 11/2005 Lamason et al. D13/108

D541,740 S * 5/2007 Tsai et al D13/108
D548,177 S * 8/2007 Okuda D13/107
D578,473 S * 10/2008 Okuda et al. D13/107
D616,814 S * 6/2010 Weinberg et al. D13/107
2005/0111214 A1* 5/2005 Zeiler 362/119

* cited by examiner

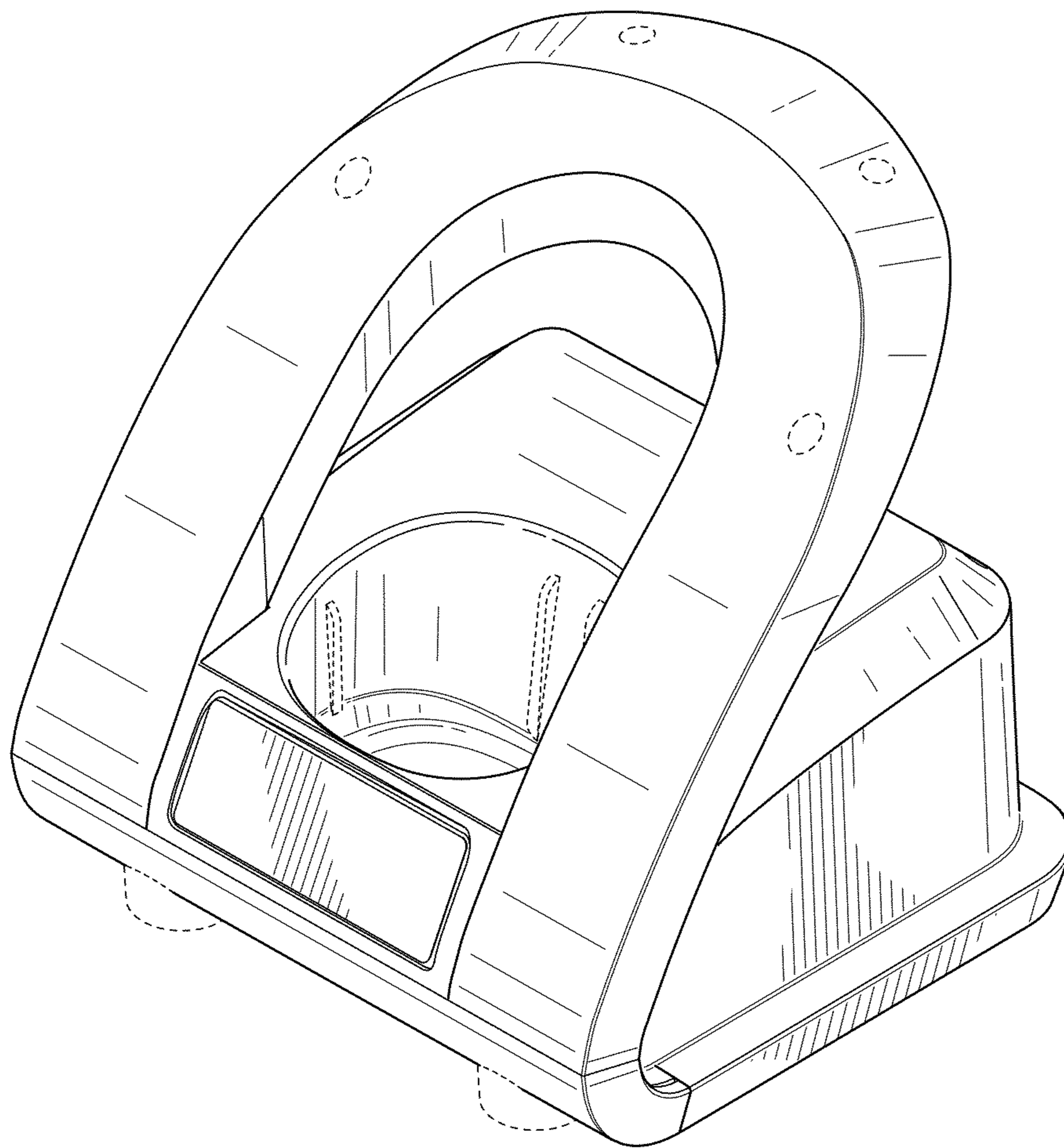


FIG. 1

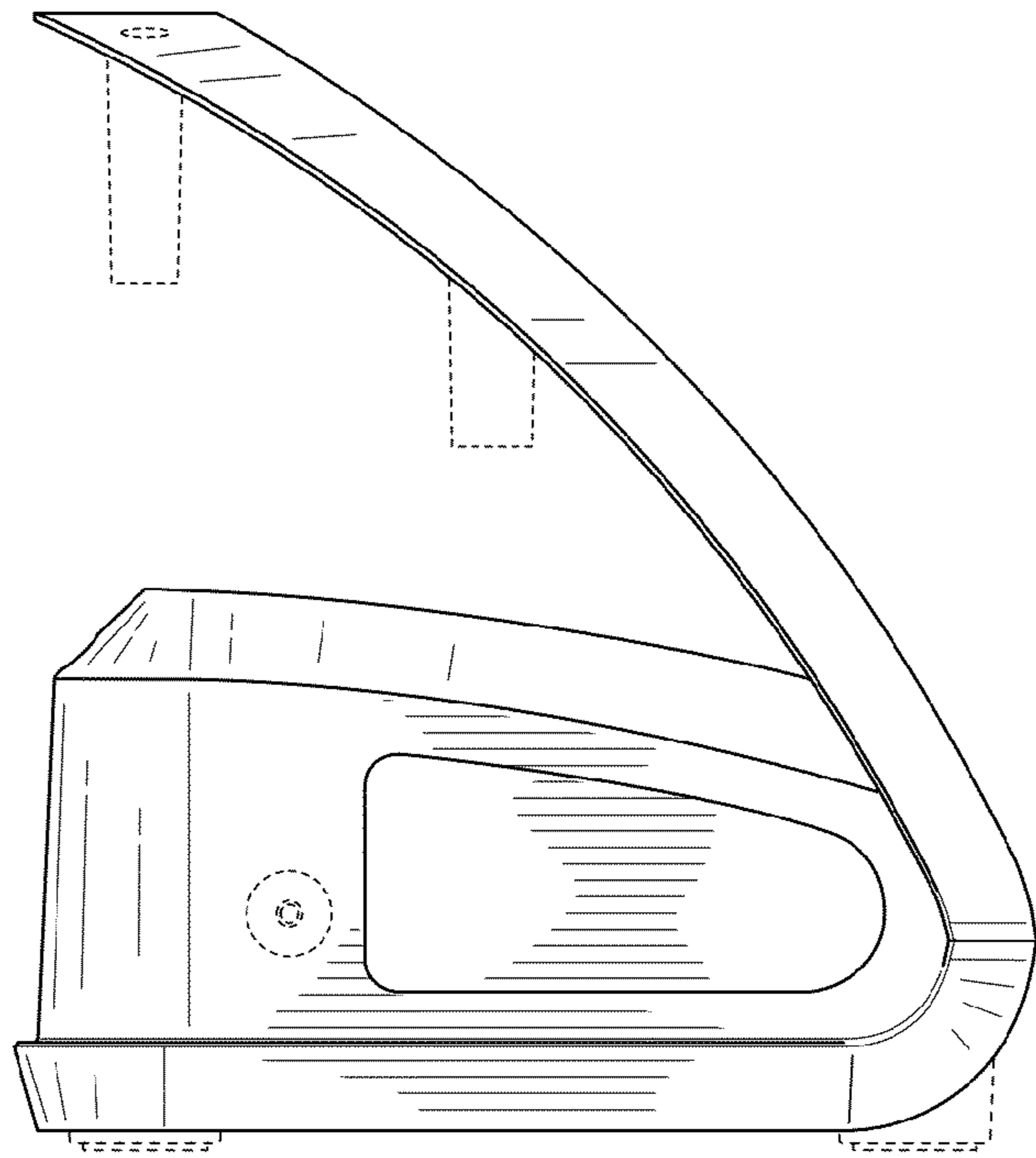


FIG. 2

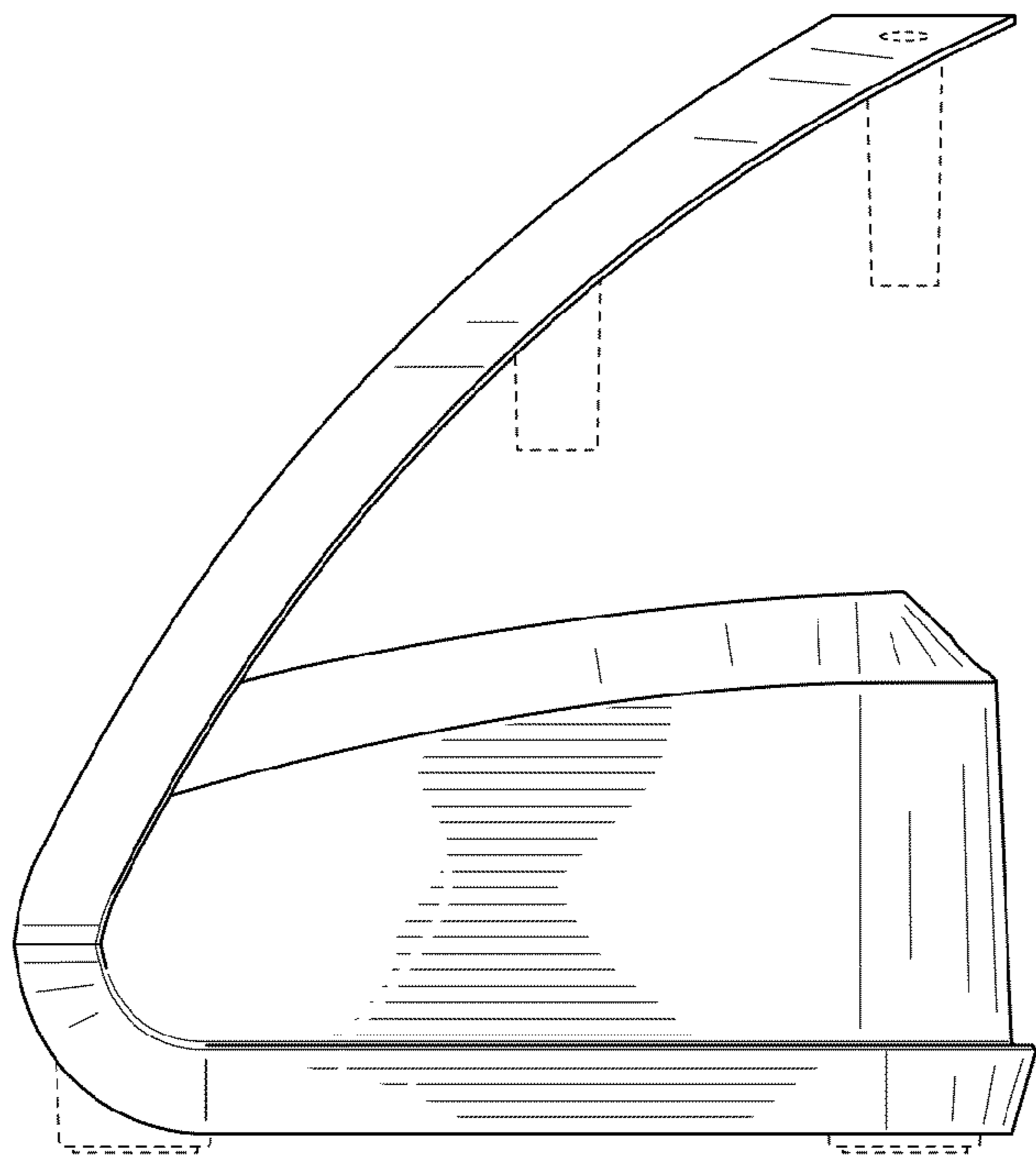


FIG. 3

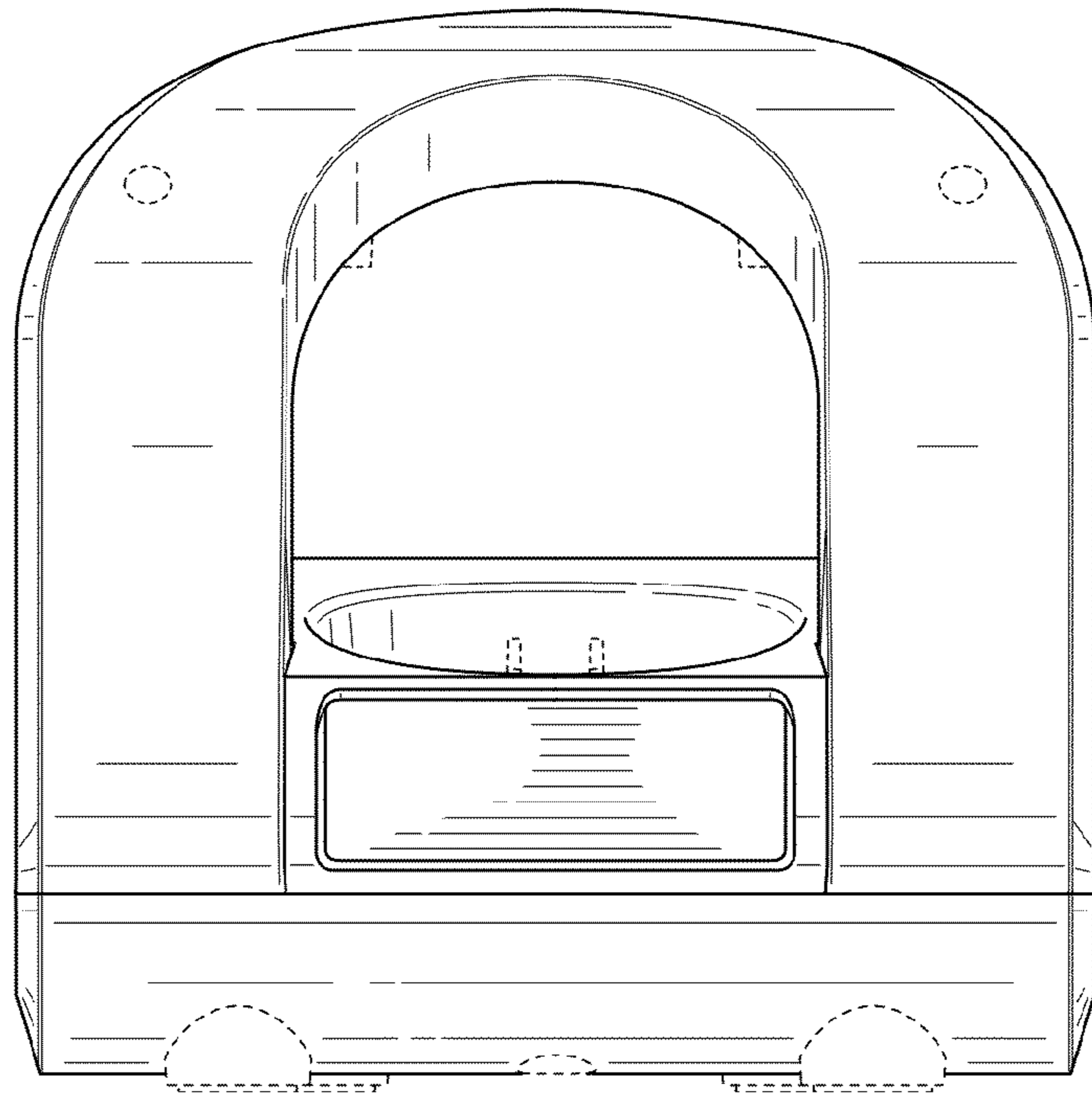


FIG. 4

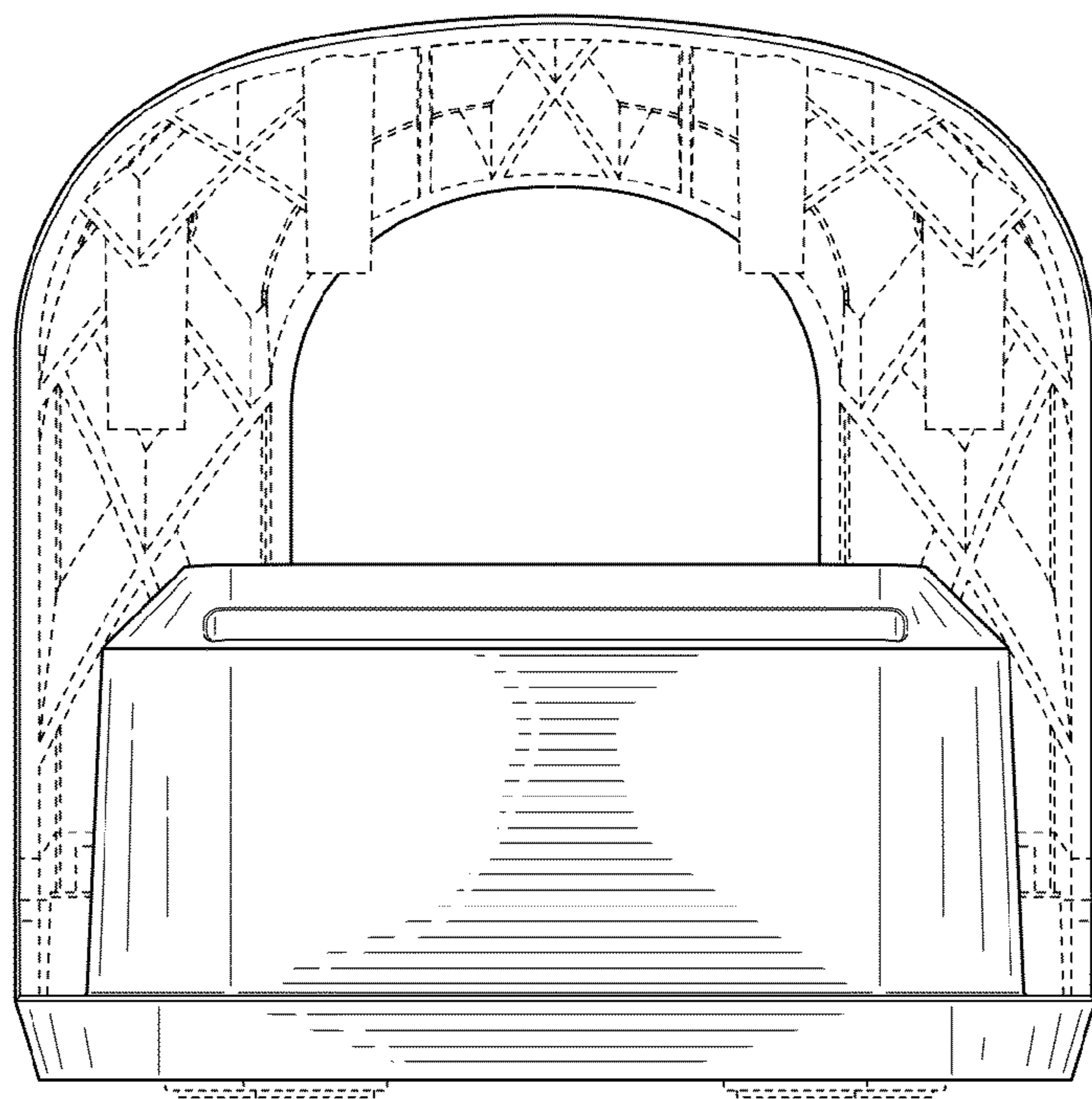


FIG. 5

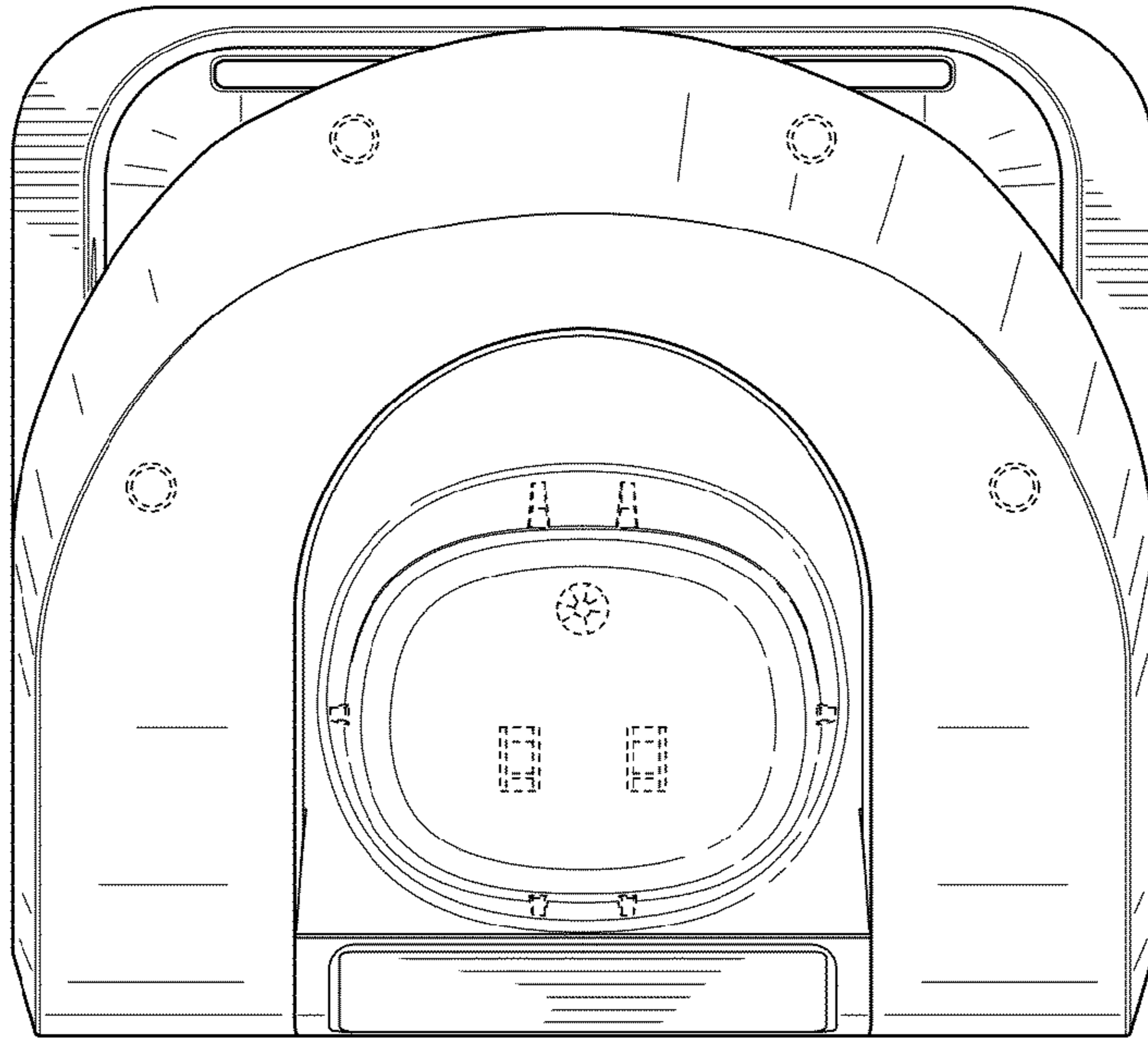


FIG. 6

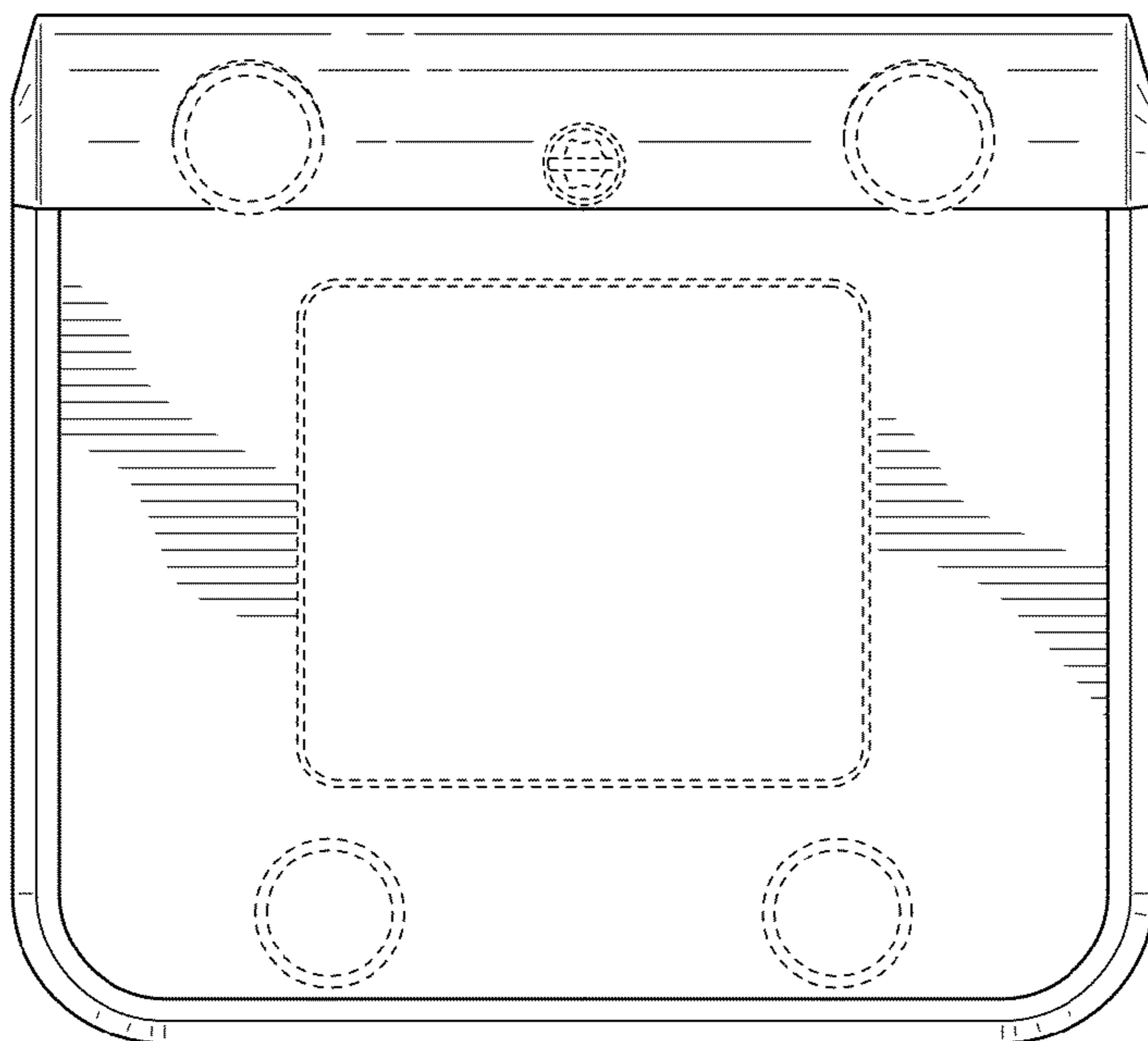


FIG. 7

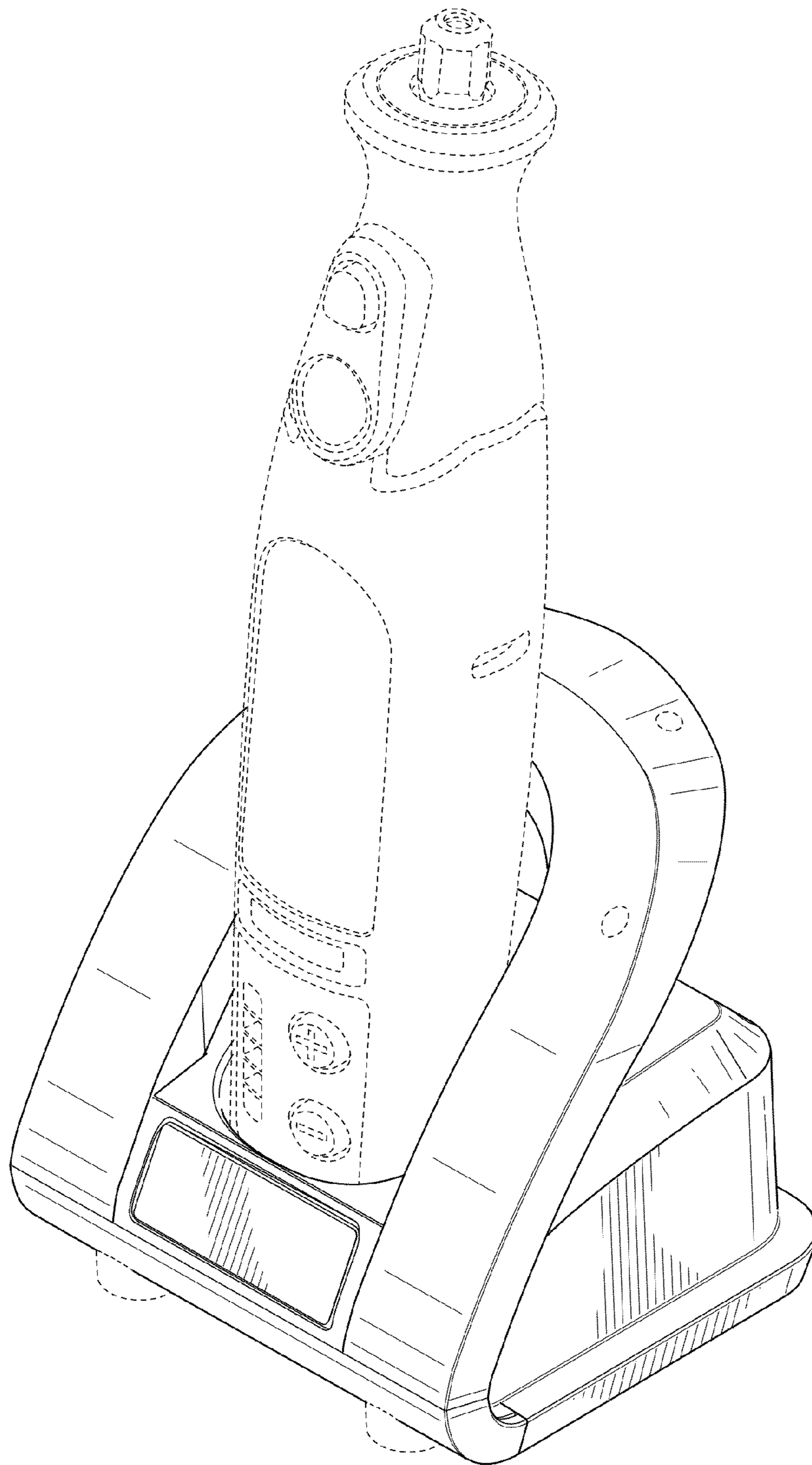


FIG. 8

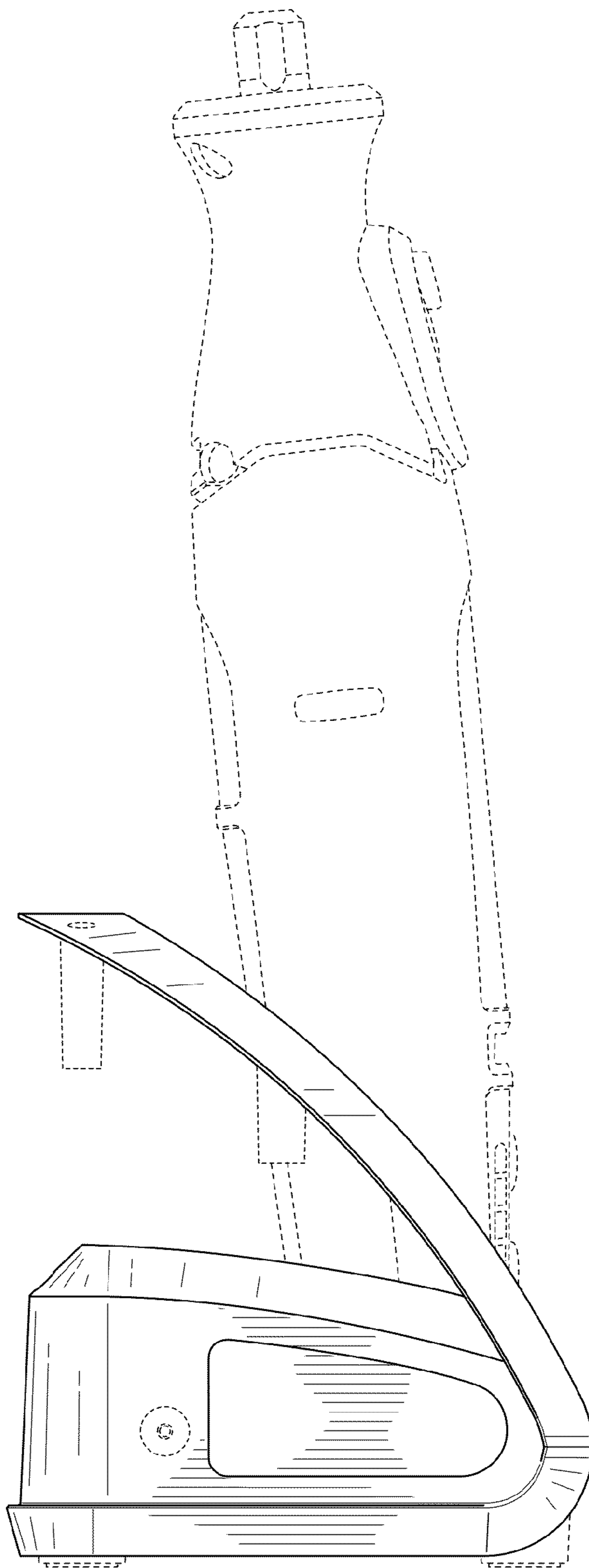


FIG. 9

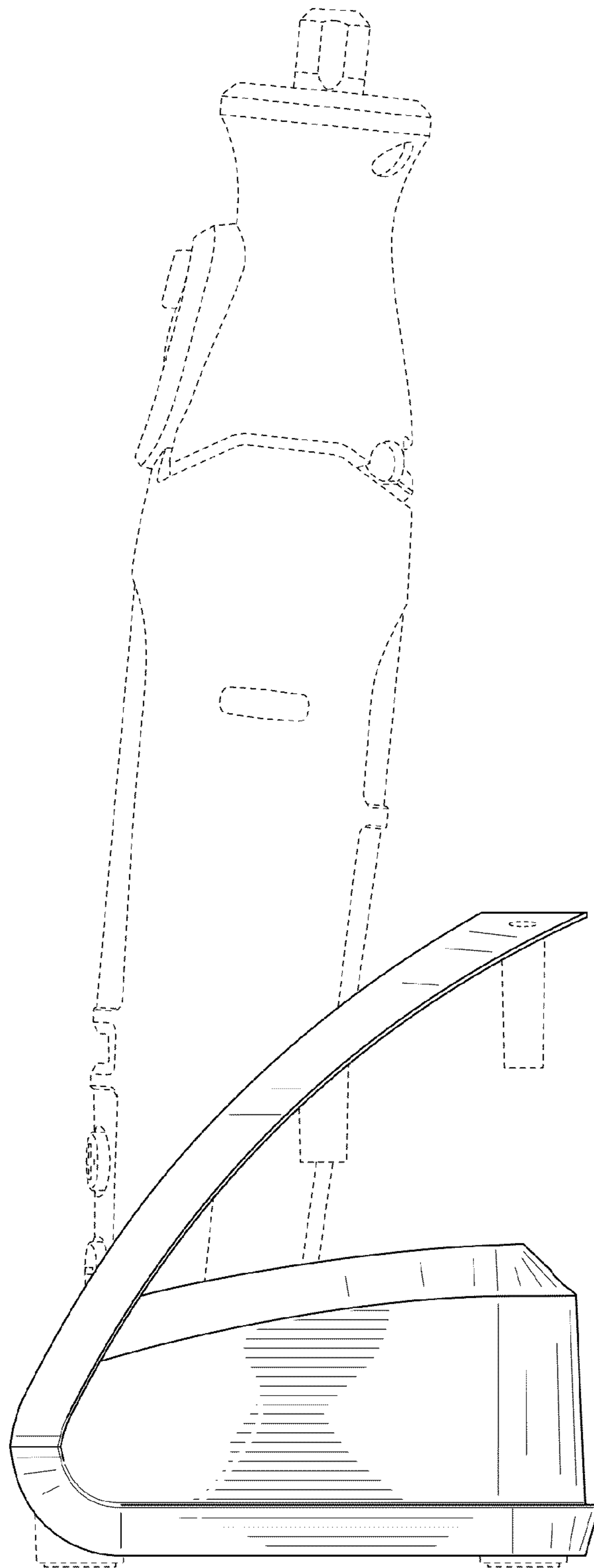


FIG. 10

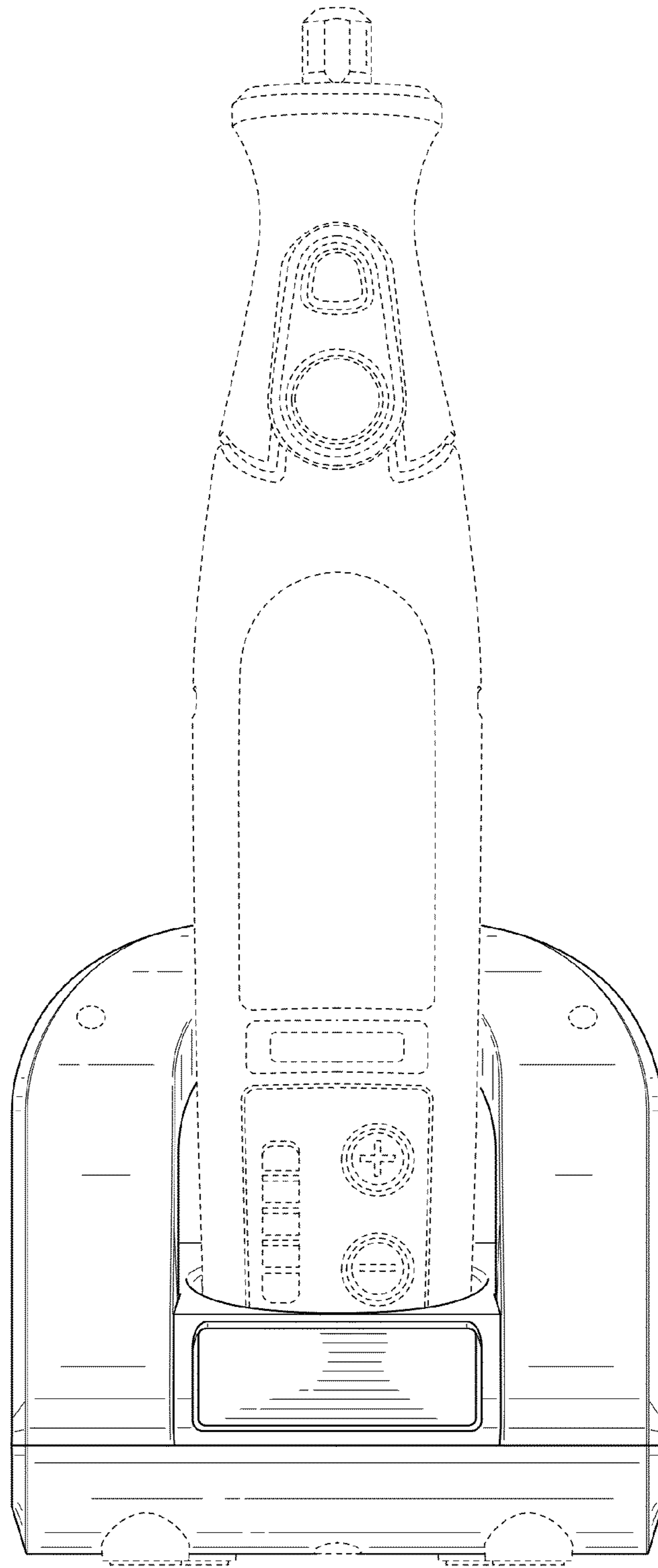


FIG. 11

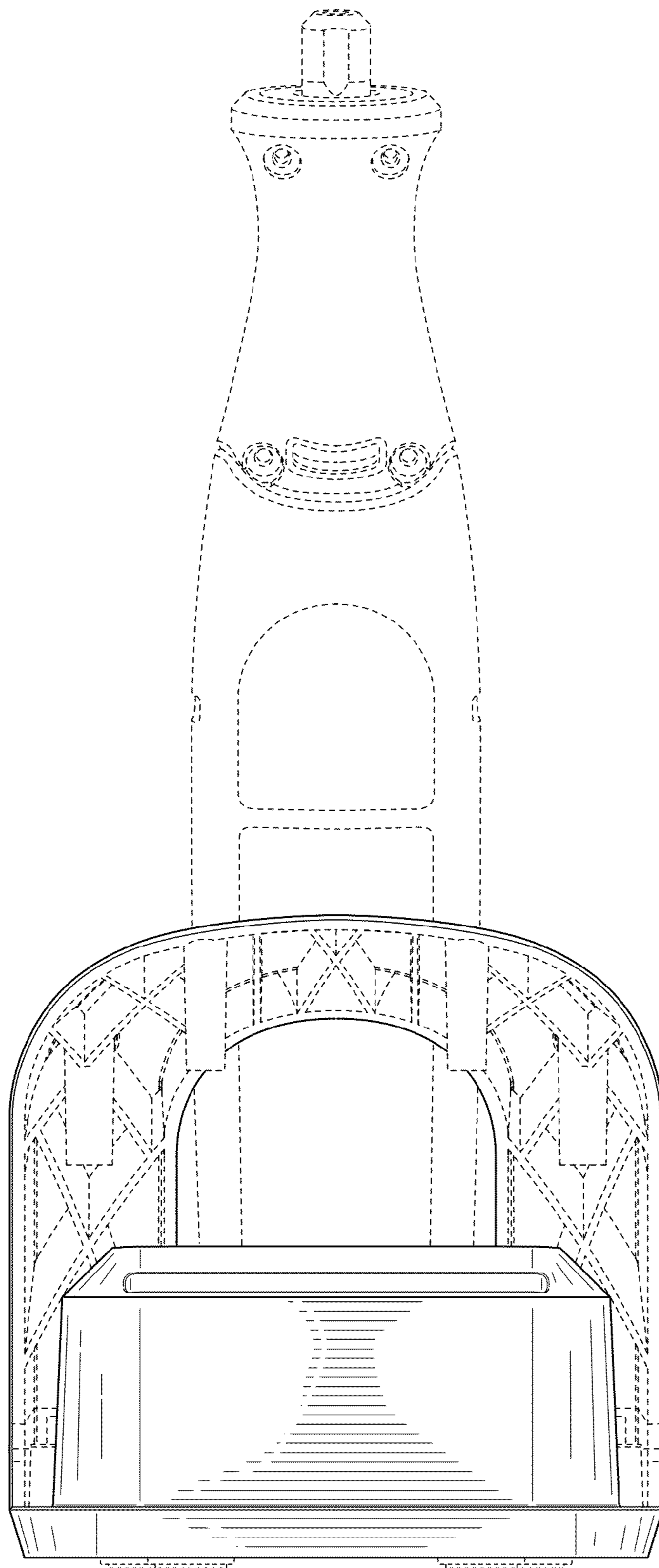


FIG. 12

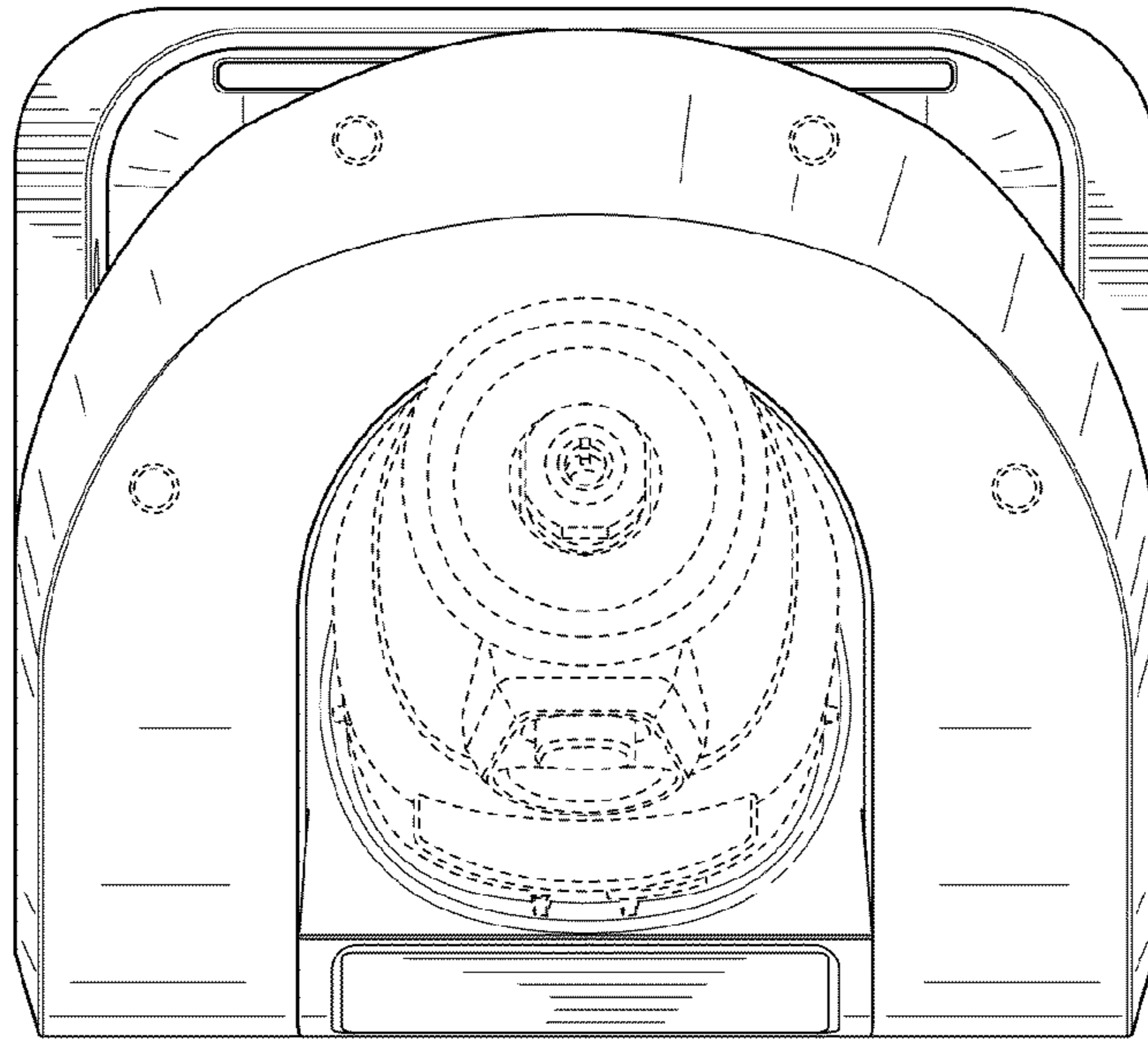


FIG. 13

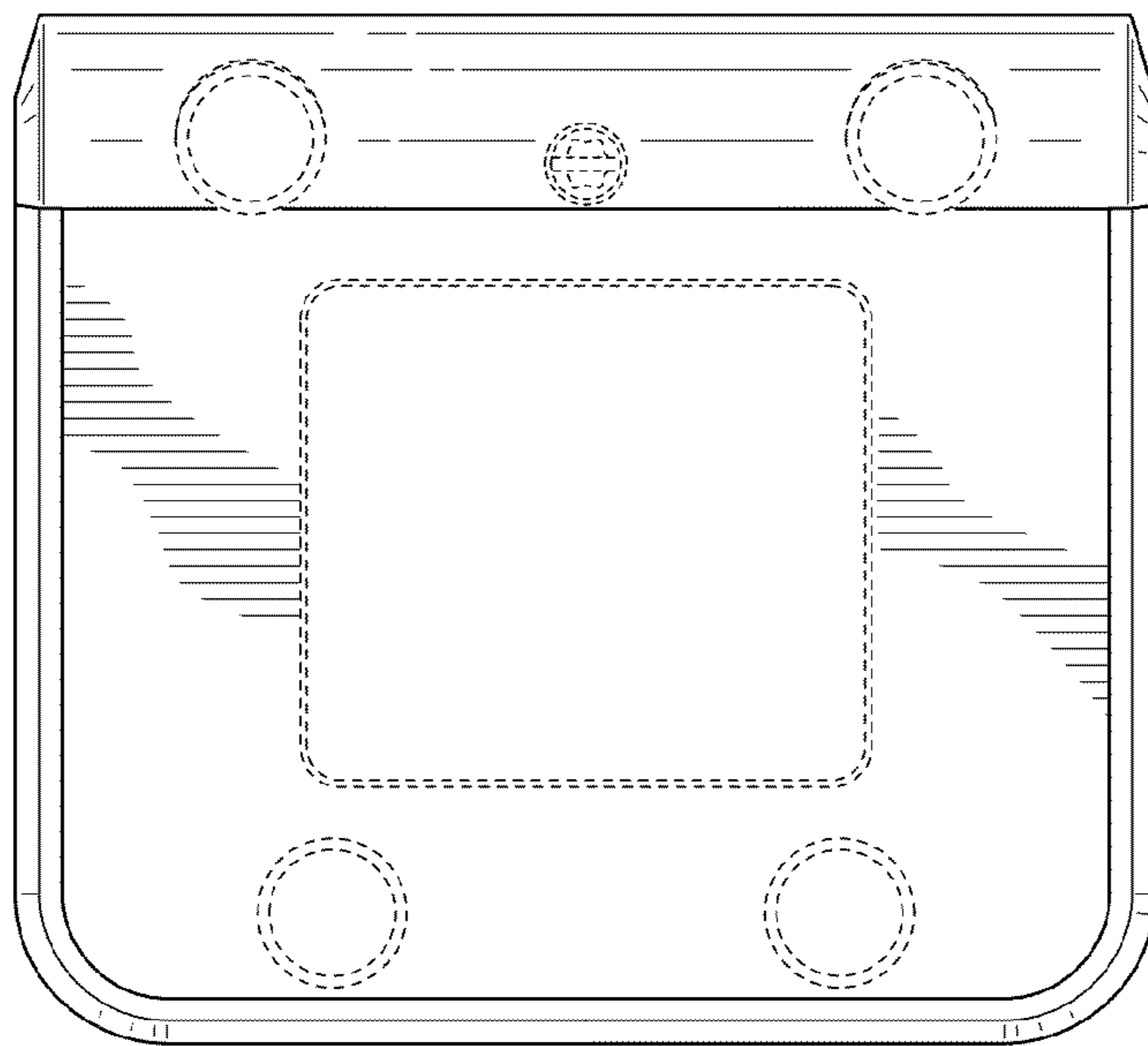


FIG. 14