



US00D734715S

(12) **United States Design Patent**
Kannengieser

(10) **Patent No.:** **US D734,715 S**

(45) **Date of Patent:** **** Jul. 21, 2015**

(54) **TIRE CAVITY PROTECTOR**

(56) **References Cited**

(71) Applicant: **William J. Kannengieser**, Conyers, GA
(US)

(72) Inventor: **William J. Kannengieser**, Conyers, GA
(US)

(**) Term: **14 Years**

(21) Appl. No.: **29/466,547**

(22) Filed: **Sep. 9, 2013**

U.S. PATENT DOCUMENTS

4,303,114 A *	12/1981	Price	152/192
4,347,884 A *	9/1982	Price	152/158
D598,988 S *	8/2009	Jacoby et al.	D23/269
D605,071 S *	12/2009	White	D11/34
8,221,849 B2 *	7/2012	Naito	427/496
2012/0210933 A1 *	8/2012	Naito	118/641
2012/0324698 A1 *	12/2012	Kannengieser	29/428

* cited by examiner

Primary Examiner — George D Kirschbaum

(74) *Attorney, Agent, or Firm* — Michael J. Bootcheck, LLC

(57) **CLAIM**

The ornamental design for a tire cavity protector, as shown and described.

DESCRIPTION

Related U.S. Application Data

(63) Continuation of application No. 13/314,750, filed on Dec. 8, 2011, now abandoned.

(51) **LOC (10) Cl.** **12-15**

(52) **U.S. Cl.**
USPC **D12/604**

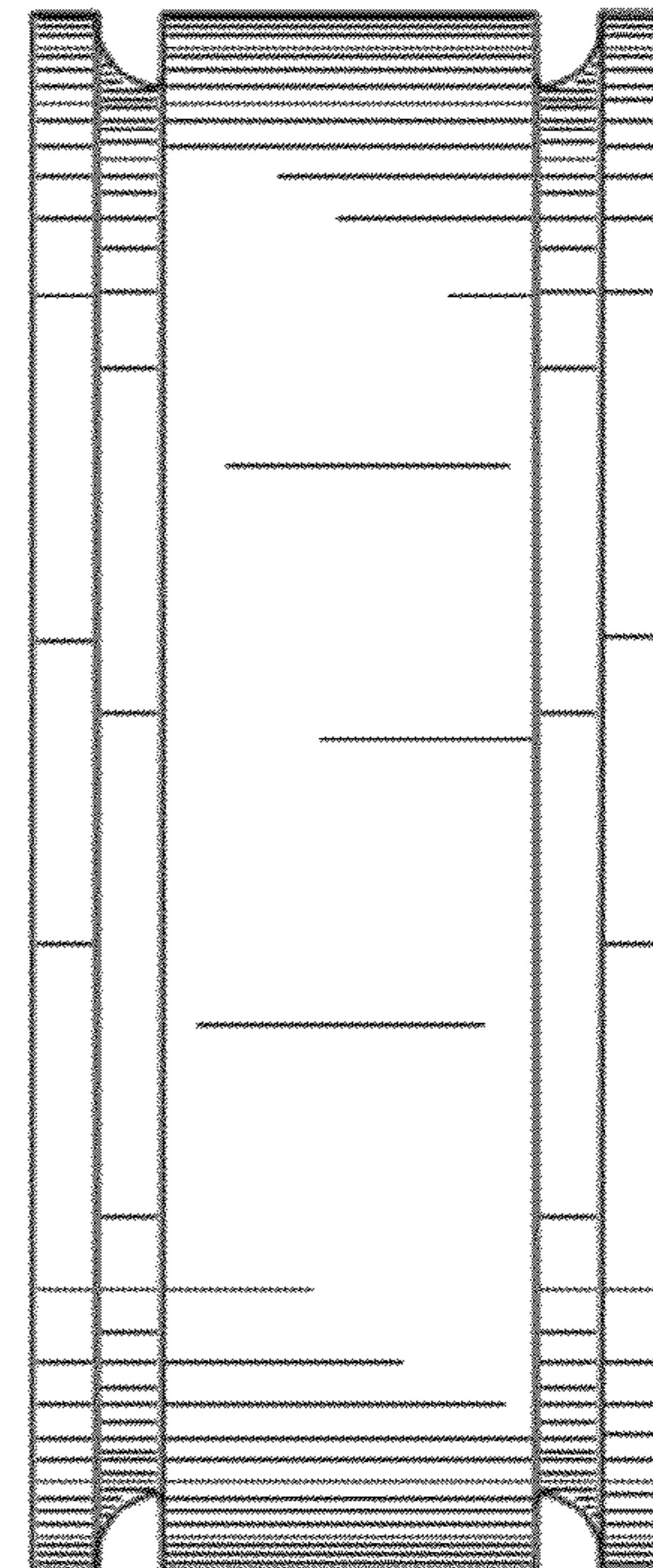
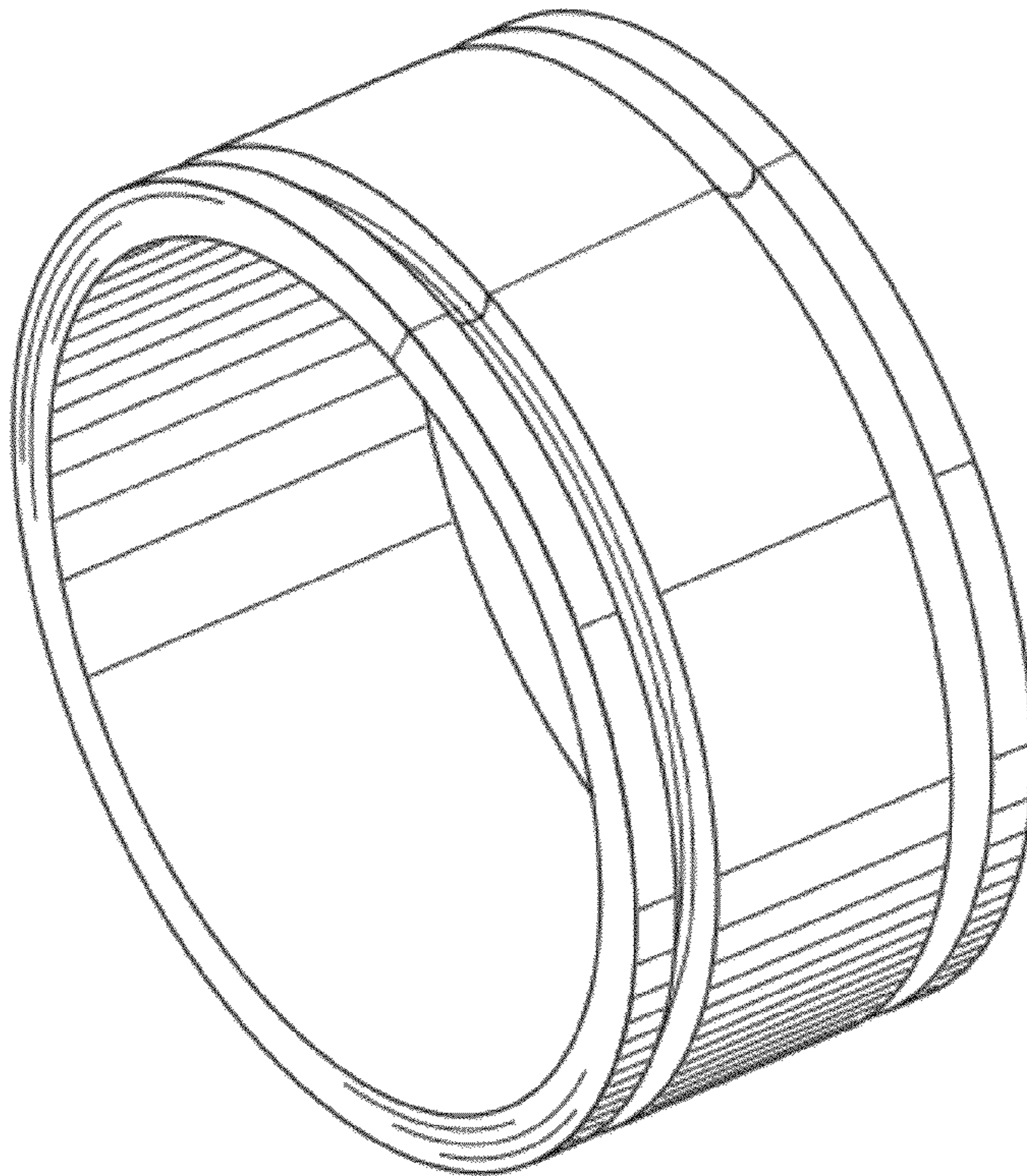
(58) **Field of Classification Search**
USPC D12/604; 152/209.1-209.28, 455, 158,
152/192; D11/34; D23/269; 118/641;
29/428; 427/496

CPC B60C 1/00
See application file for complete search history.

FIG. 1 is a perspective view of the tire cavity protector, showing my new design;
FIG. 2 is a left side perspective view showing my design in an alternate position;
FIG. 3 is a left side perspective view thereof;
FIG. 4 is a side elevation view thereof;
FIG. 5 is a top view thereof; and,
FIG. 6 is a bottom view thereof.

The broken line showing of a tire is included for the purpose of illustrating portions of the "article" and forms no part of the claimed design.

1 Claim, 3 Drawing Sheets



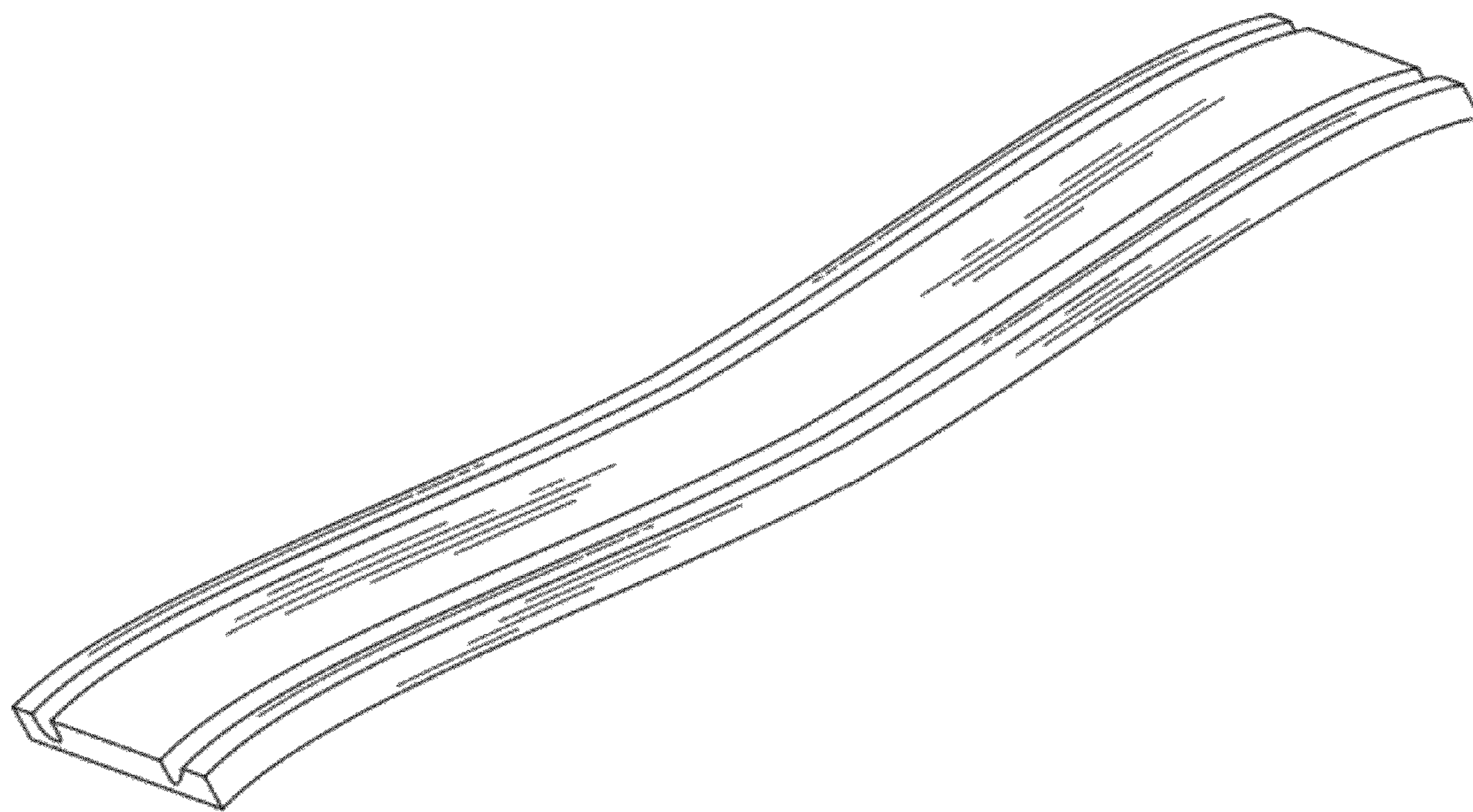


FIG. 1

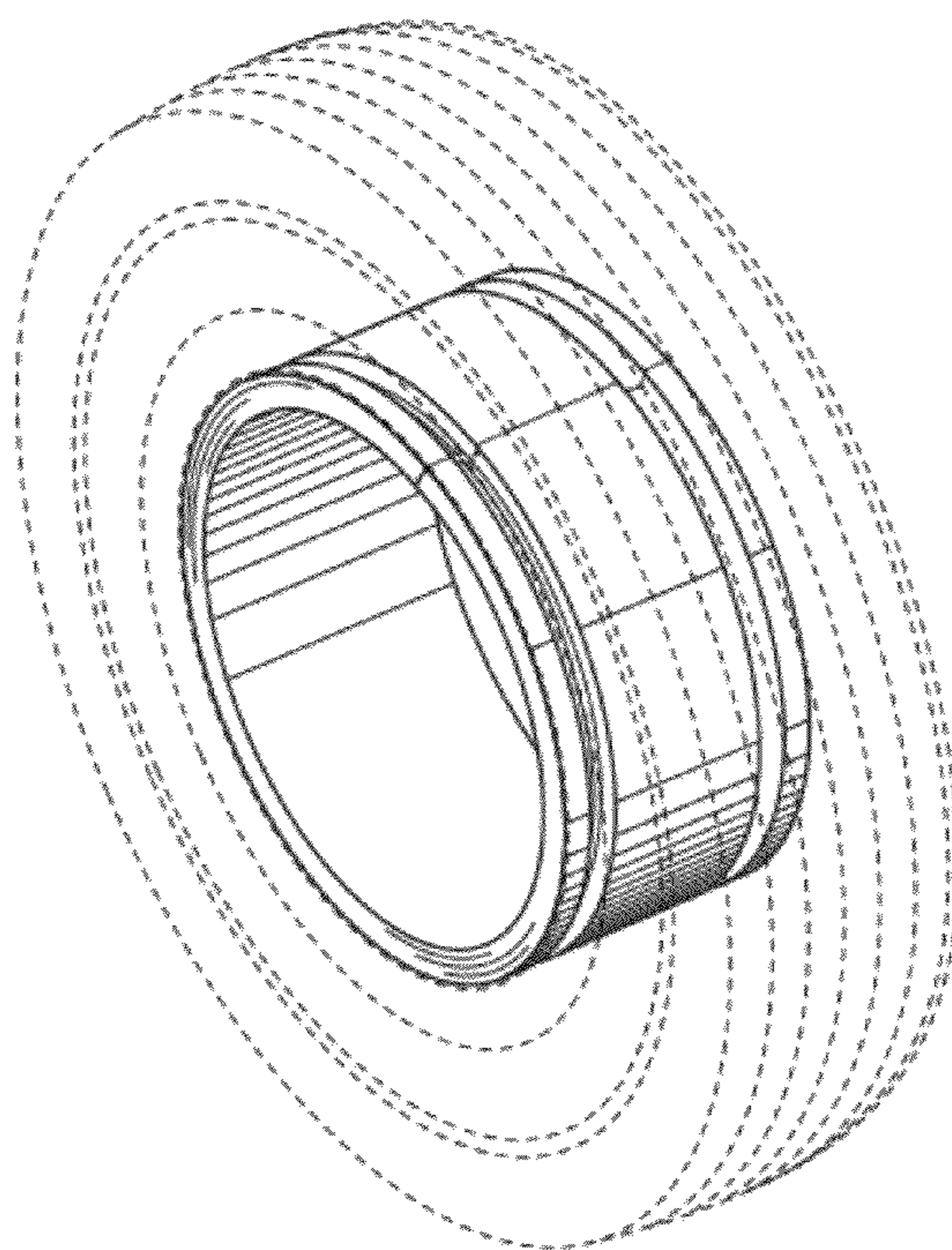


FIG. 2

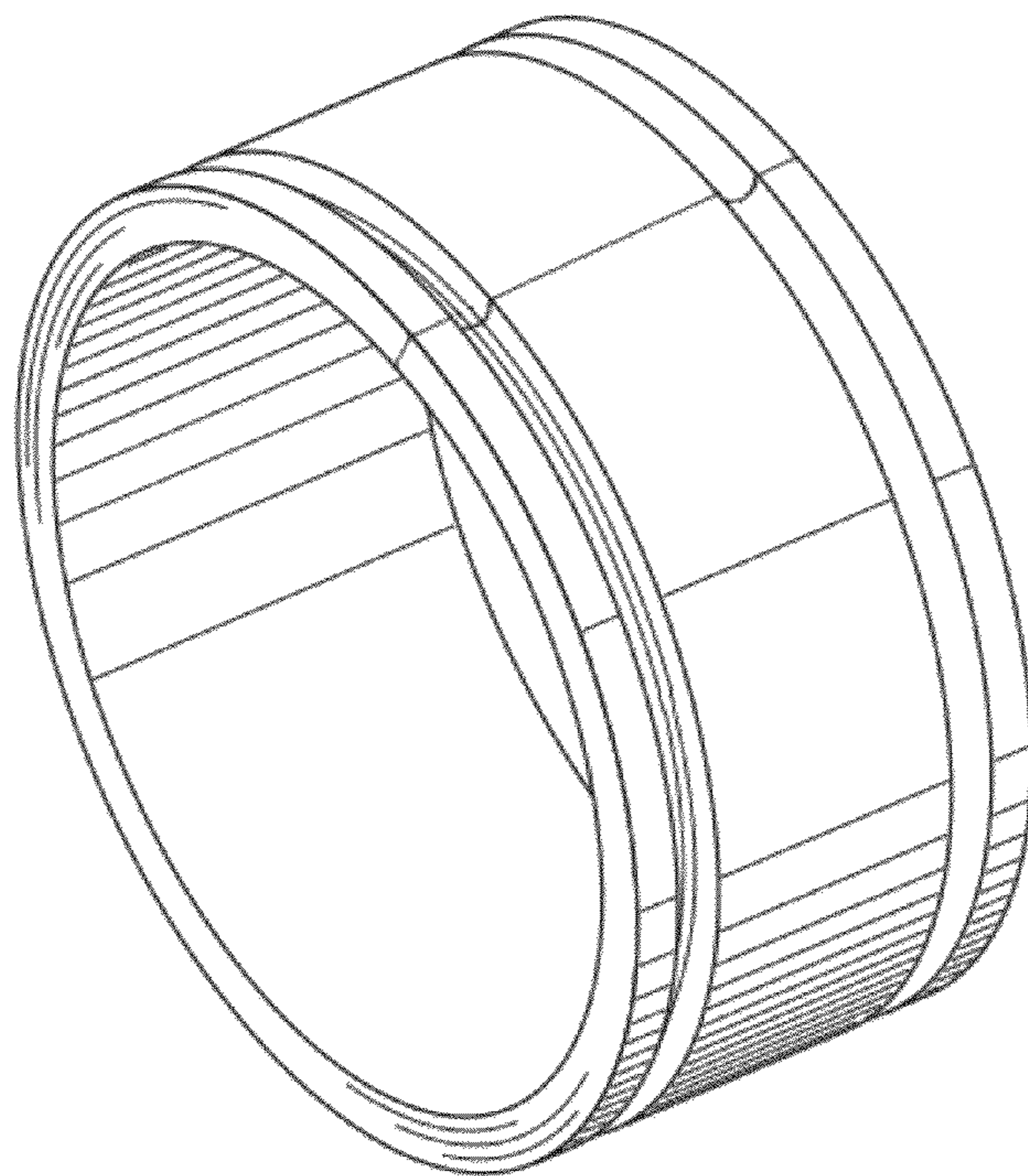


FIG. 3

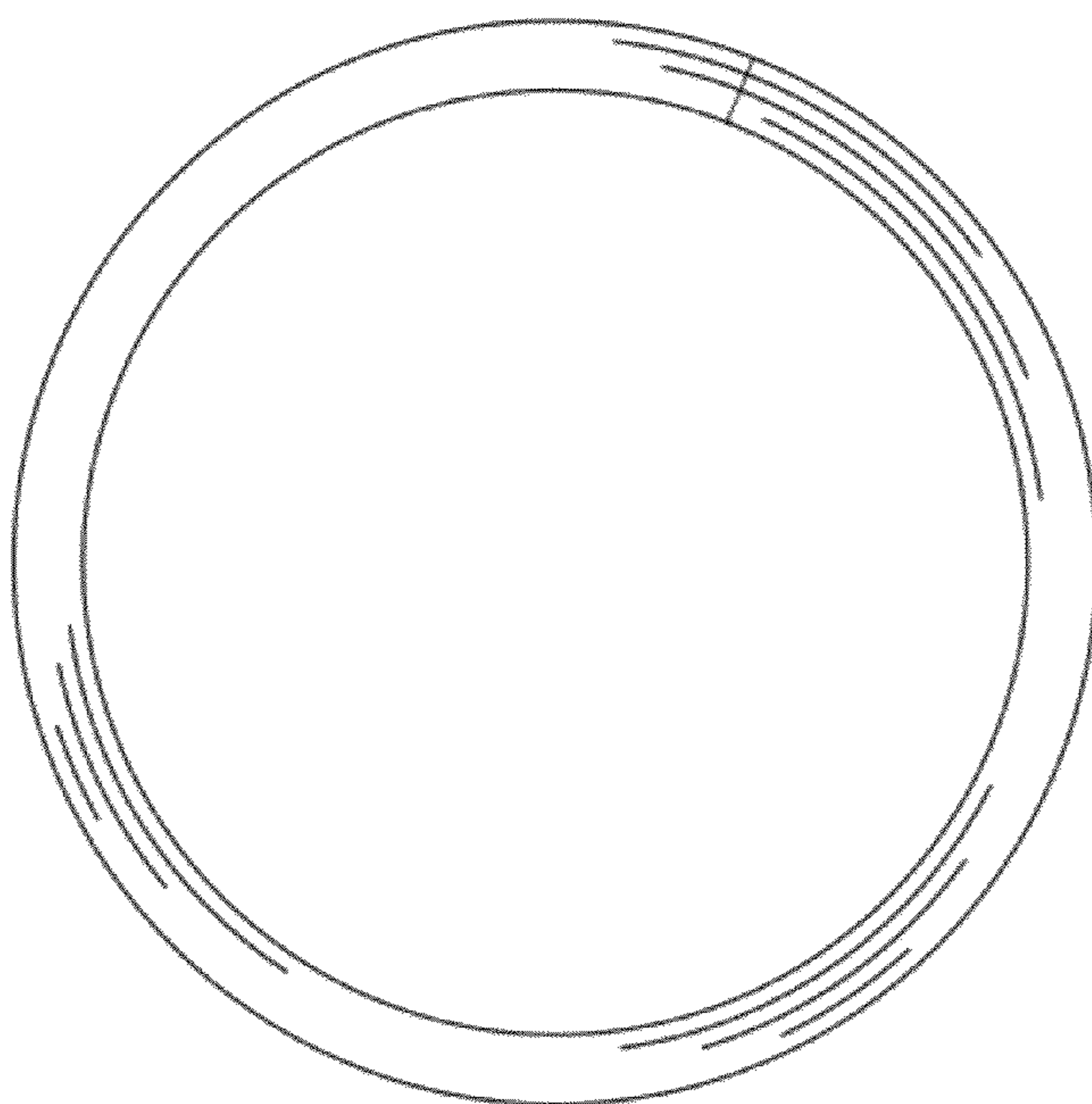


FIG. 4

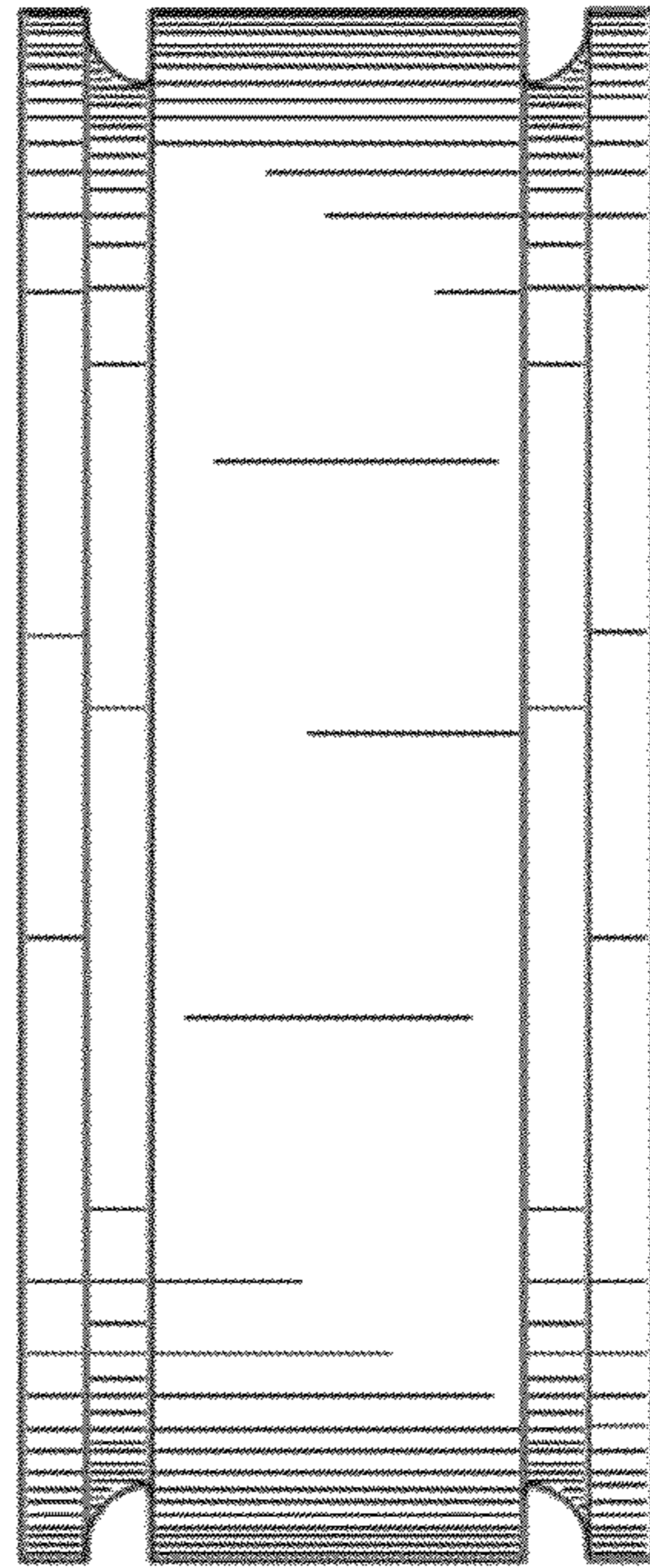


FIG. 5

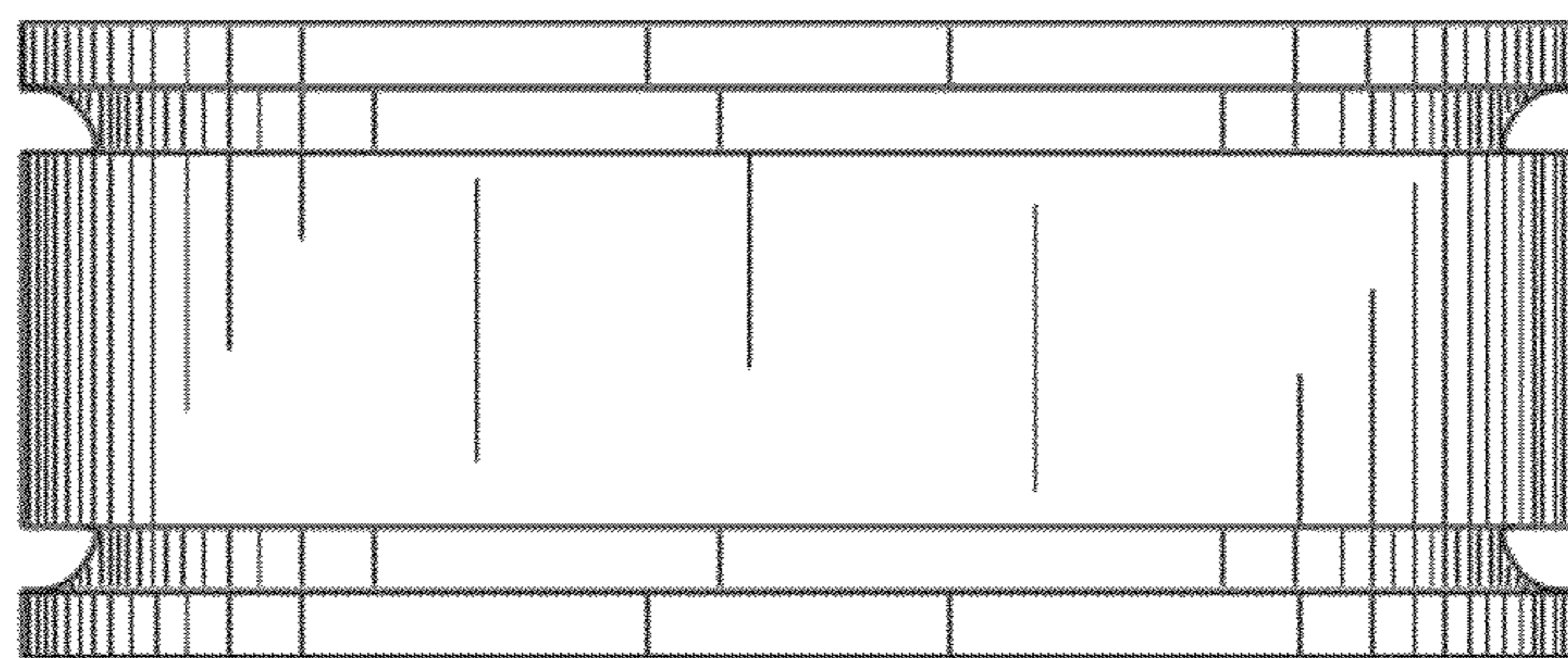


FIG. 6