



US00D734714S

(12) **United States Design Patent**
Grote

(10) **Patent No.:** **US D734,714 S**

(45) **Date of Patent:** **** Jul. 21, 2015**

(54) **TIRE TREAD**

(71) Applicant: **Christopher D. Grote**, Findlay, OH
(US)

(72) Inventor: **Christopher D. Grote**, Findlay, OH
(US)

(73) Assignee: **Cooper Tire & Rubber Company**,
Findlay, OH (US)

(**) Term: **14 Years**

(21) Appl. No.: **29/471,540**

(22) Filed: **Nov. 1, 2013**

(51) **LOC (10) Cl.** **12-15**

(52) **U.S. Cl.**
USPC **D12/601**

(58) **Field of Classification Search**
USPC D12/568-603; 152/209.1-209.28
CPC B60C 11/11; B60C 2011/1213; B60C 11/00;
B60C 11/04; B60C 11/1281; B60C
2011/0374; B60C 1/0016; B60C 11/12;
B60C 11/0306; B60C 11/0309; B60C 11/13;
B60C 11/042

See application file for complete search history.

(56) **References Cited**

U.S. PATENT DOCUMENTS

D301,855 S	*	6/1989	Ono	D12/590
D445,371 S	*	7/2001	Allison	D12/586
D605,580 S	*	12/2009	Williams	D12/589
D624,487 S	*	9/2010	Drake	D12/585
D709,820 S	*	7/2014	Rohweder et al.	D12/586

* cited by examiner

Primary Examiner — George D Kirschbaum

Assistant Examiner — Jennifer Watkins

(74) *Attorney, Agent, or Firm* — Fay Sharpe LLP

(57) **CLAIM**

The ornamental design for a tire tread, as shown and described.

DESCRIPTION

FIG. 1 is a perspective view of a full tire including the tire tread of the present application;

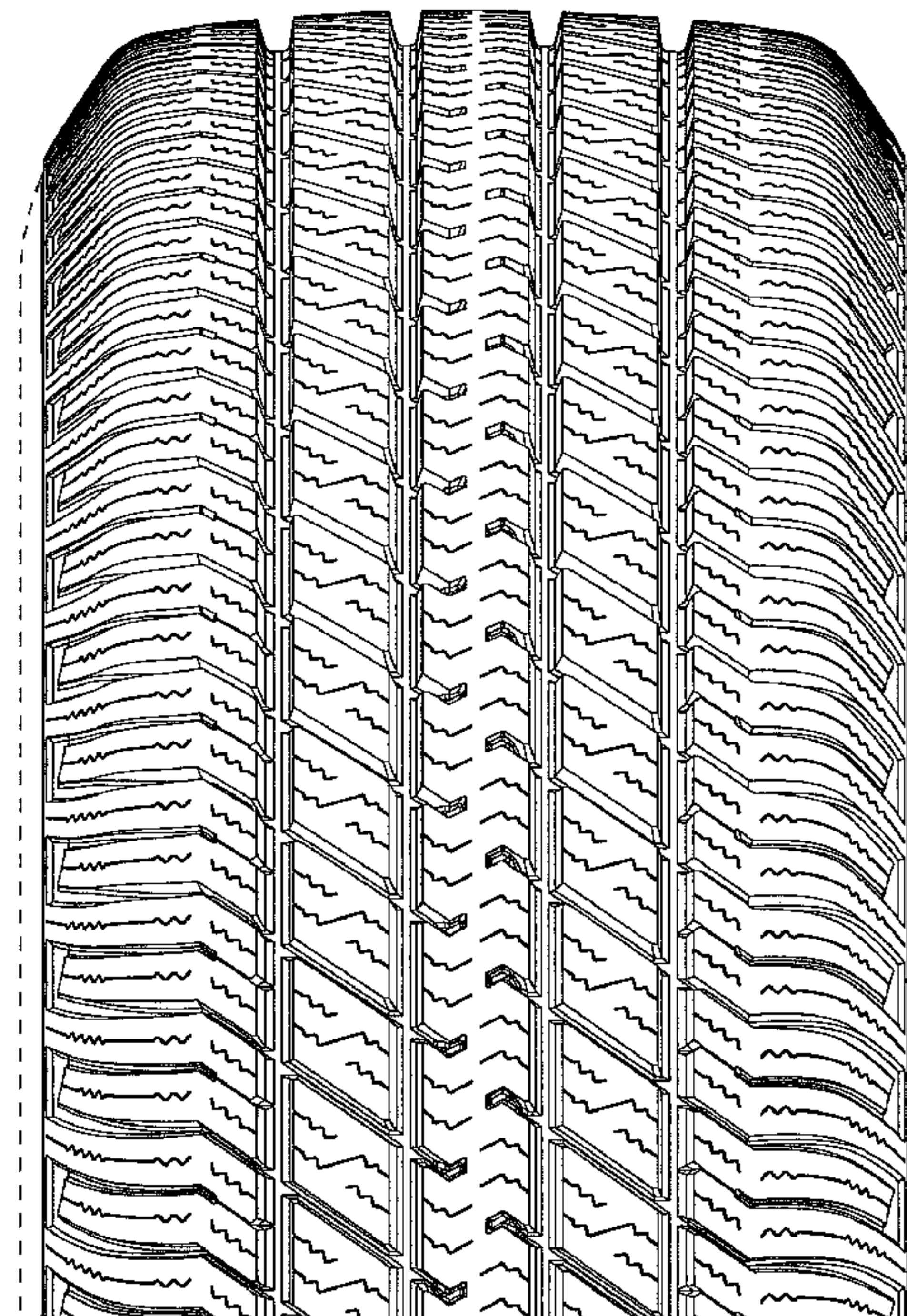
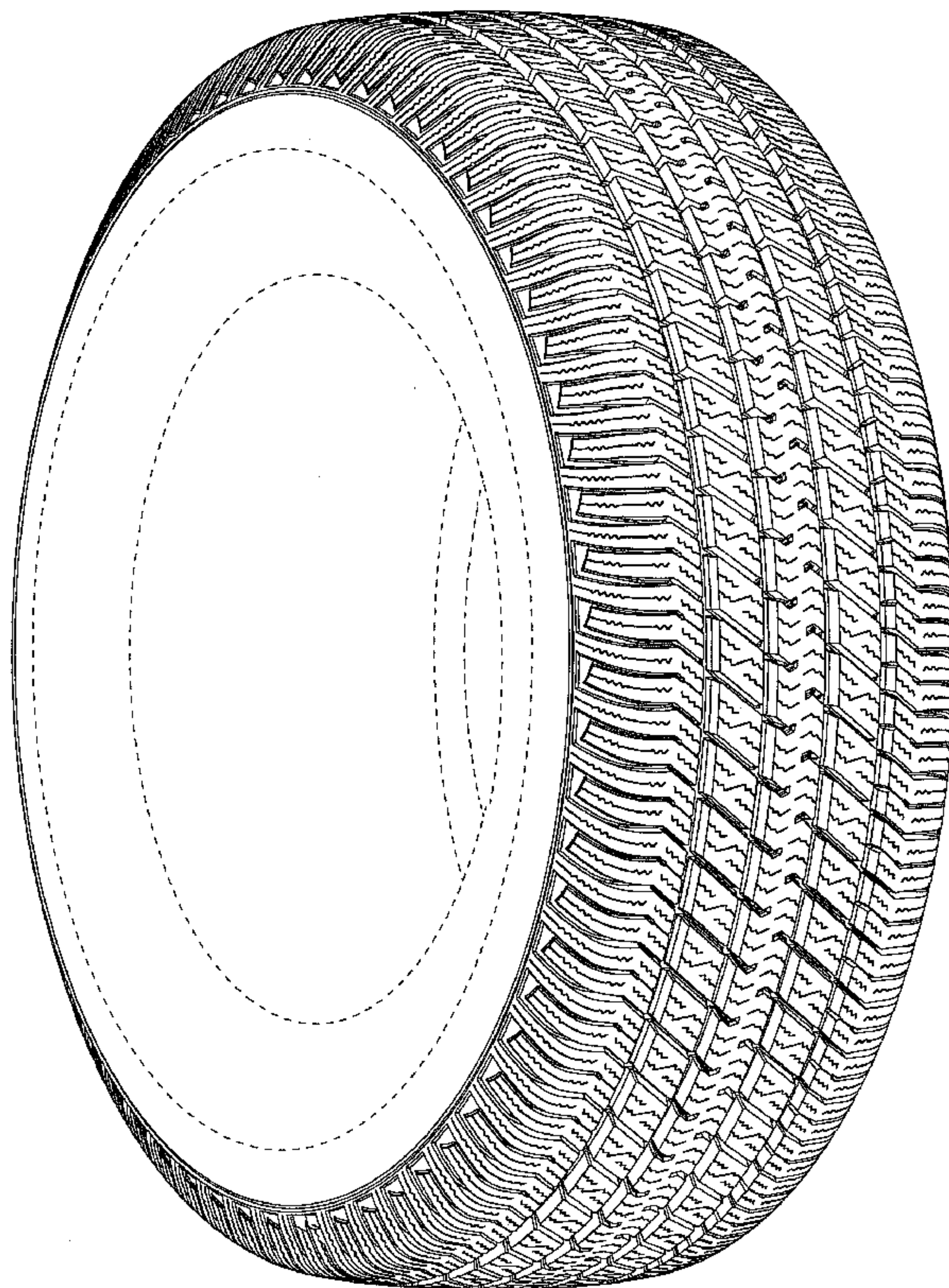
FIG. 2 is an enlarged partial side view thereof, and the remaining portions of the side view are repetitive;

FIG. 3 is a front view thereof; and,

FIG. 4 is an enlarged partial front view thereof.

The side views of the inner and outer sides of the tire are the same, i.e., the tire tread is symmetrical. The broken line showings of the sidewall, inner bead, and the peripheral boundary between the tire tread and the sidewall is included for the purpose of illustrating environment and forms no part of the claim.

1 Claim, 4 Drawing Sheets



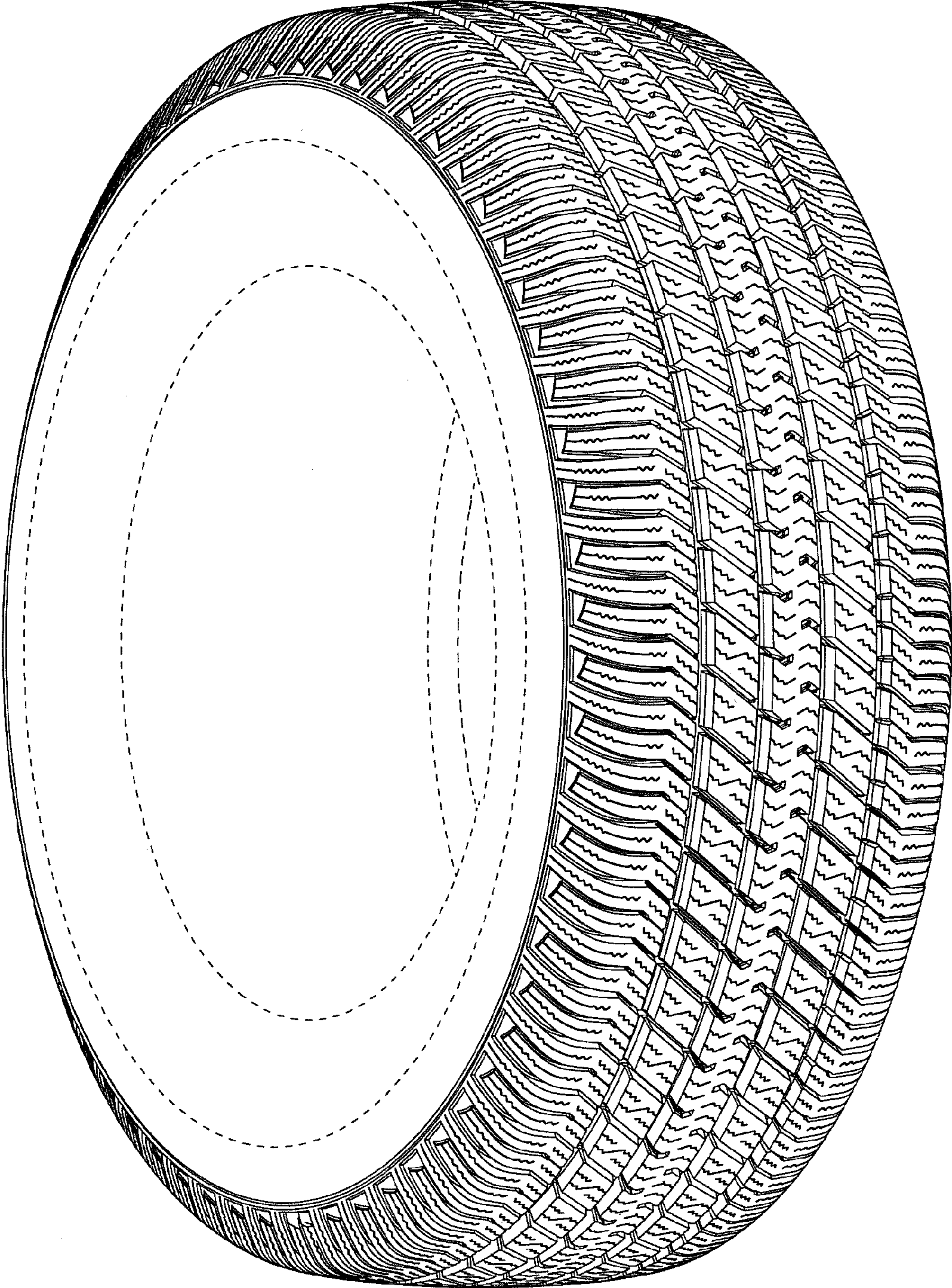


FIG. 1

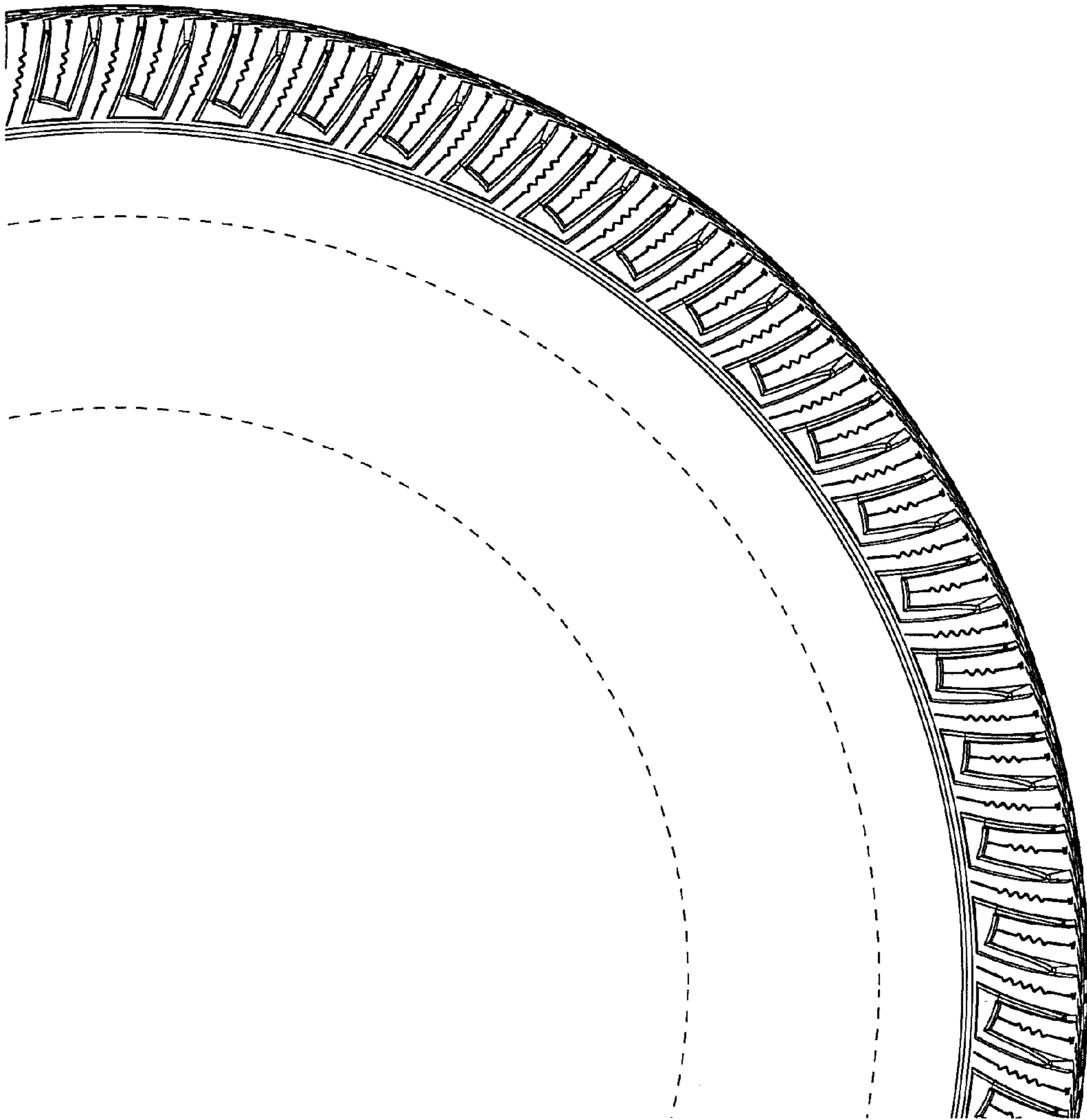


FIG. 2

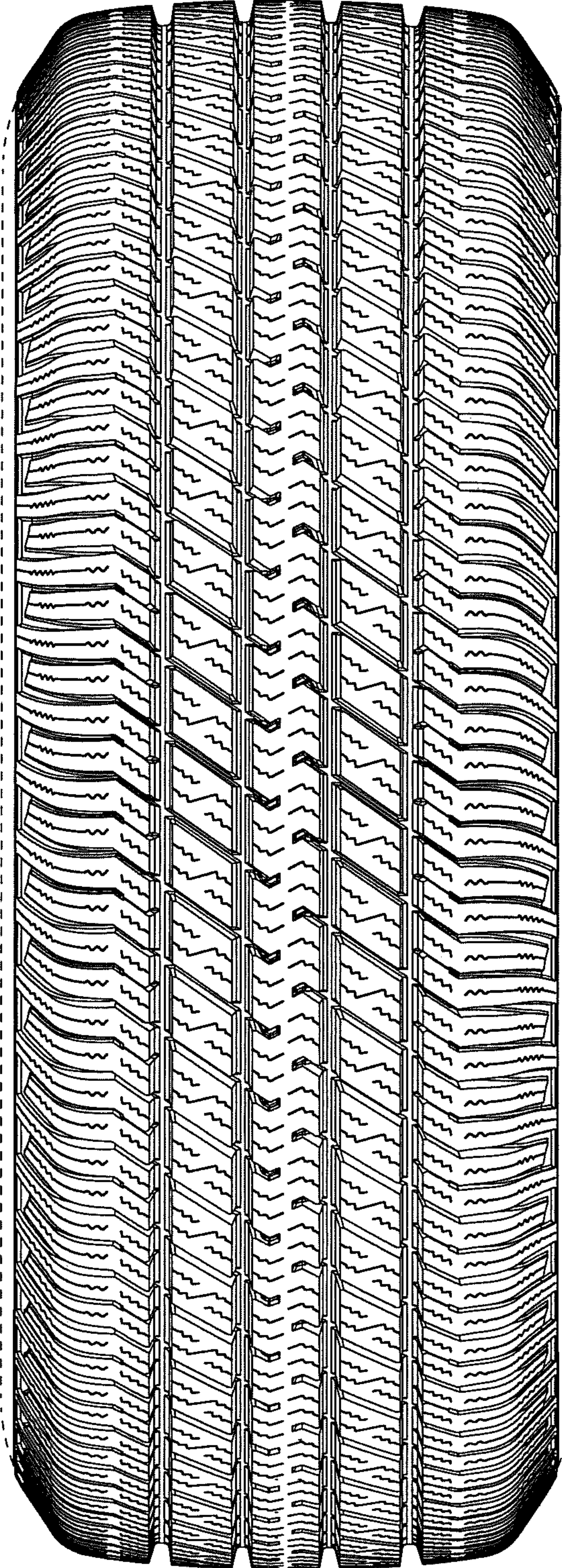


FIG. 3

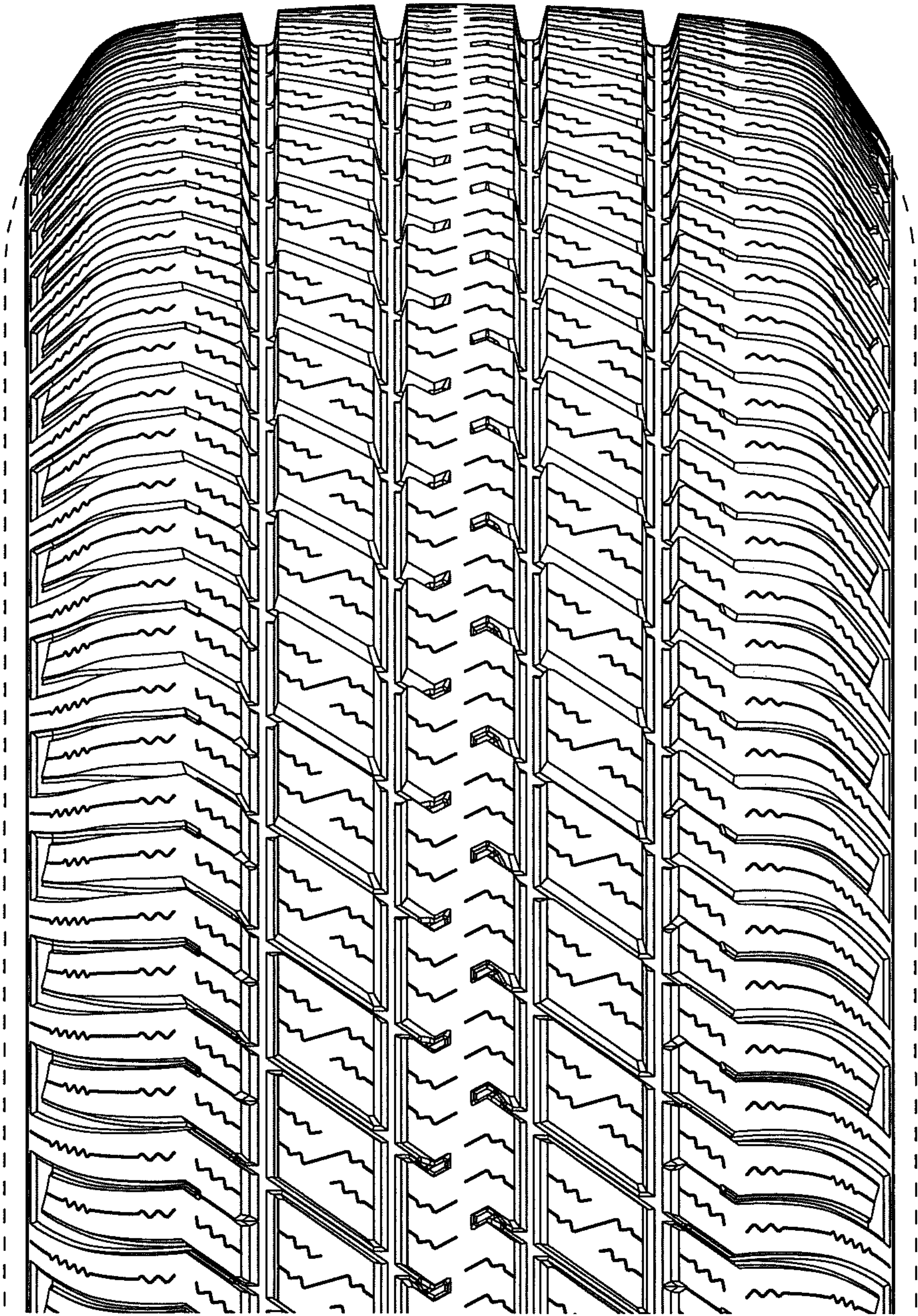


FIG. 4