

US00D734711S

(12) **United States Design Patent**
Chen

(10) **Patent No.:** **US D734,711 S**

(45) **Date of Patent:** **** Jul. 21, 2015**

(54) **TIRE**

(71) Applicant: **Kitty F. Chen**, Shanghai (CN)

(72) Inventor: **Kitty F. Chen**, Shanghai (CN)

(73) Assignee: **Cooper Tire & Rubber Company**,
Findlay, OH (US)

(**) Term: **14 Years**

(21) Appl. No.: **29/467,751**

(22) Filed: **Sep. 23, 2013**

(51) **LOC (10) Cl.** **12-15**

(52) **U.S. Cl.**
USPC **D12/583**

(58) **Field of Classification Search**
USPC D12/583; 152/209.1–209.28, 455, 523
CPC B60C 1/00
See application file for complete search history.

(56) **References Cited**

U.S. PATENT DOCUMENTS

D687,370 S * 8/2013 Kitamura D12/583
D728,459 S * 5/2015 Kristen D12/583

* cited by examiner

Primary Examiner — George D Kirschbaum

(74) *Attorney, Agent, or Firm* — Fay Sharpe LLP

(57) **CLAIM**

The ornamental design for a tire, as shown and described.

DESCRIPTION

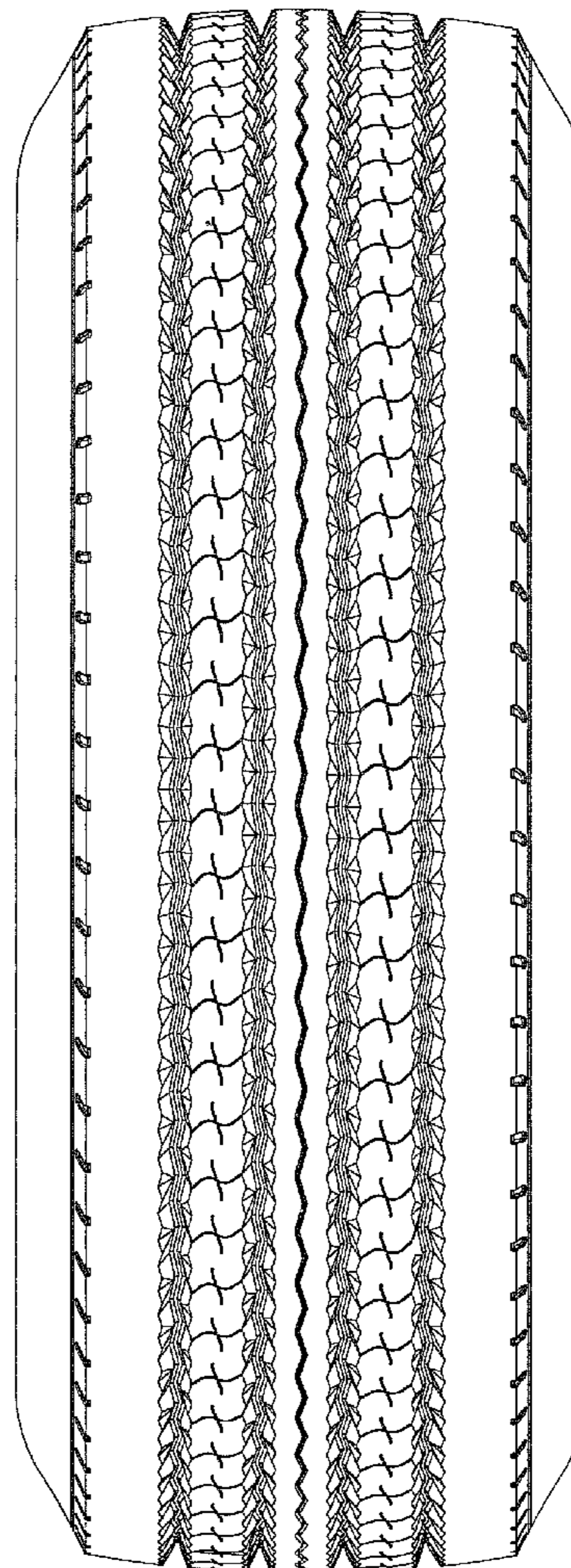
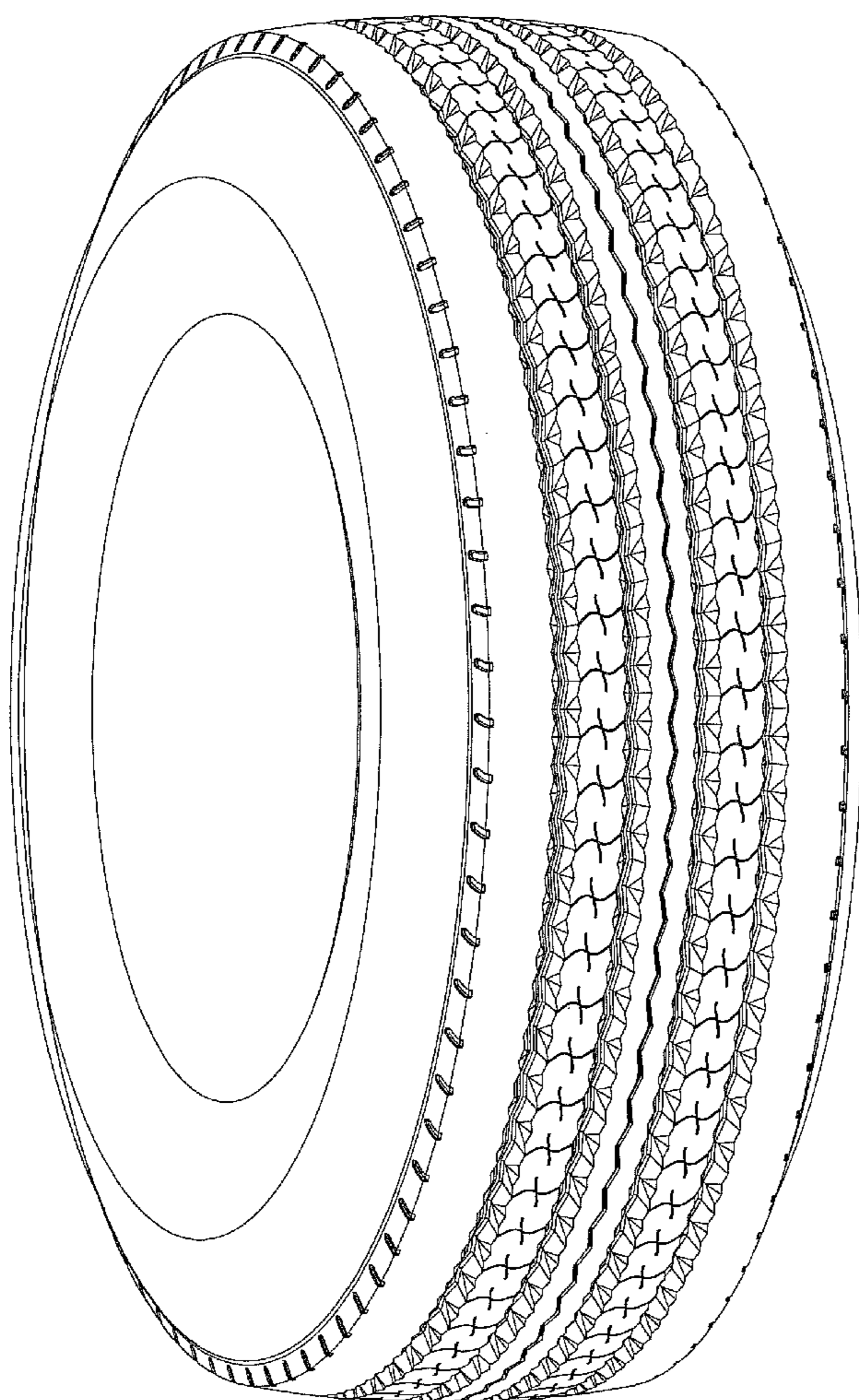
FIG. 1 is a perspective view of a full tire including the tire tread of the present application;

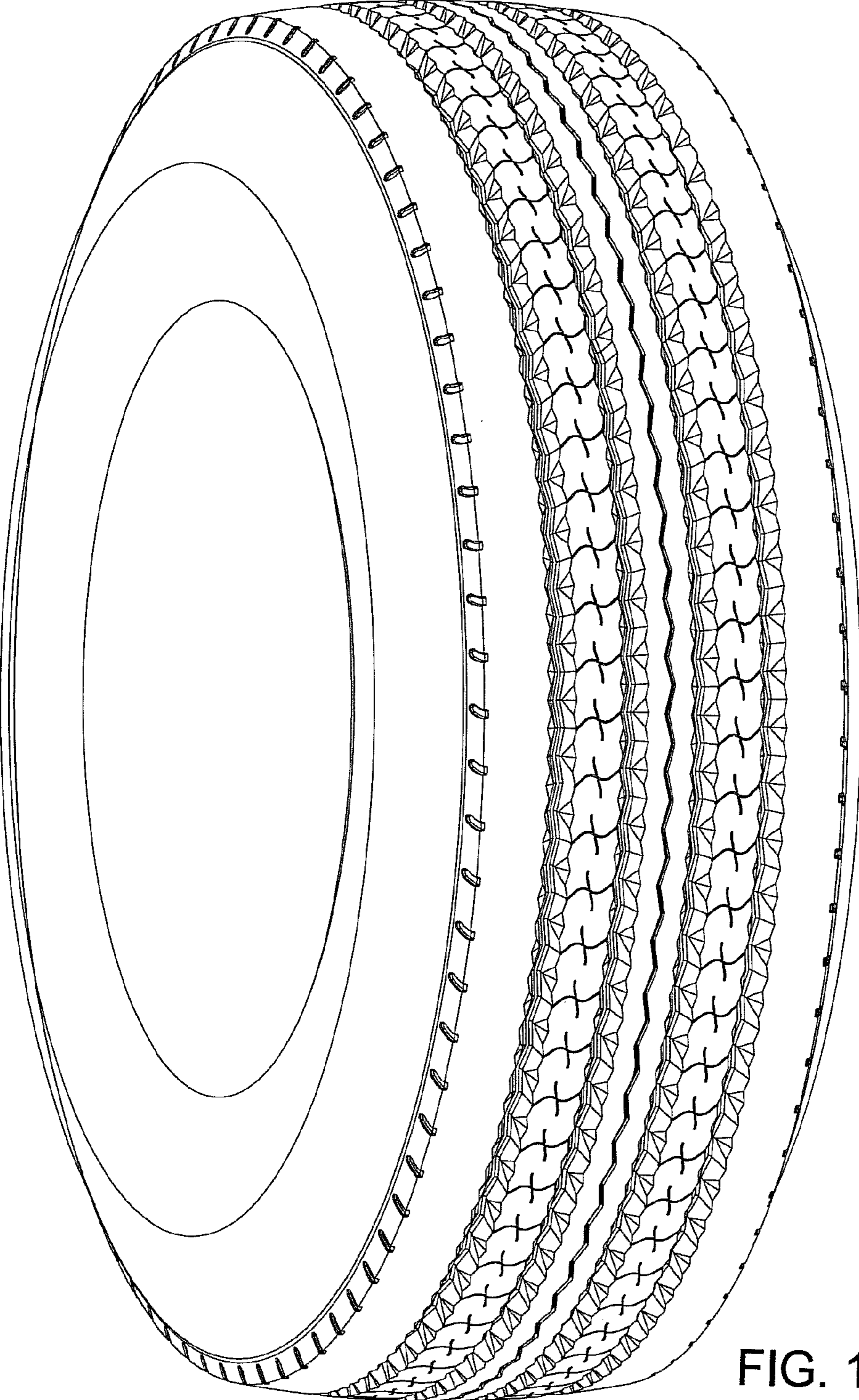
FIG. 2 is a front view thereof;

FIG. 3 is a side view thereof; and,

FIG. 4 is an enlarged partial front view thereof.

1 Claim, 4 Drawing Sheets





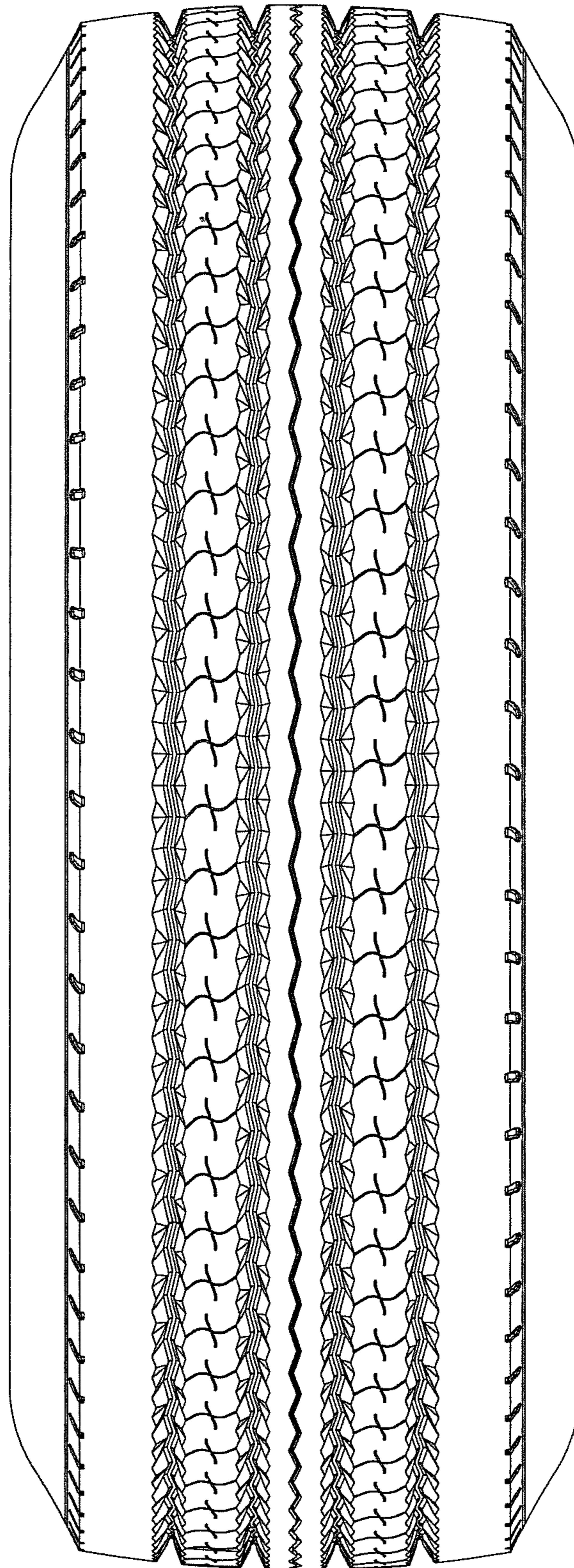


FIG. 2

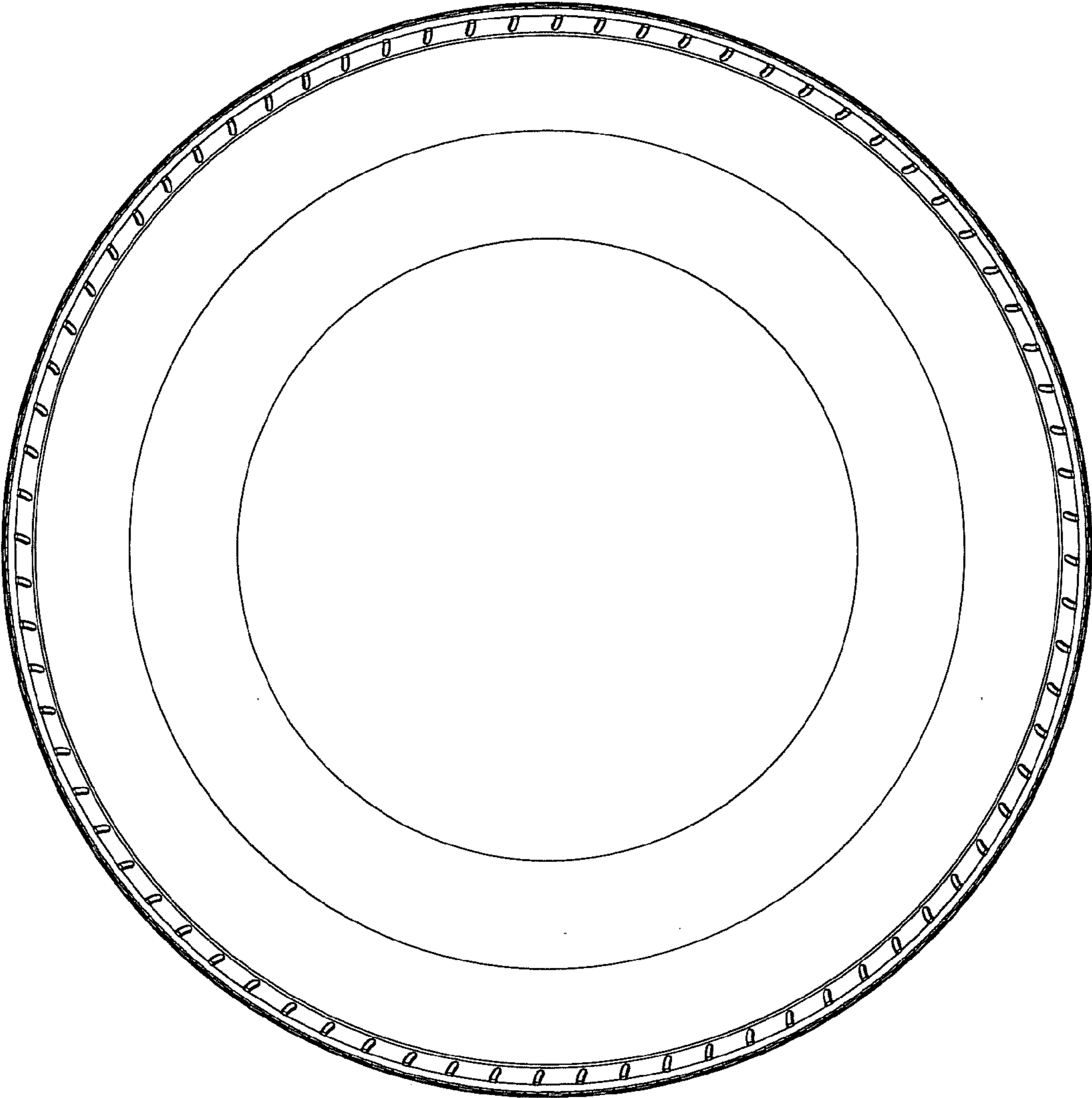


FIG. 3

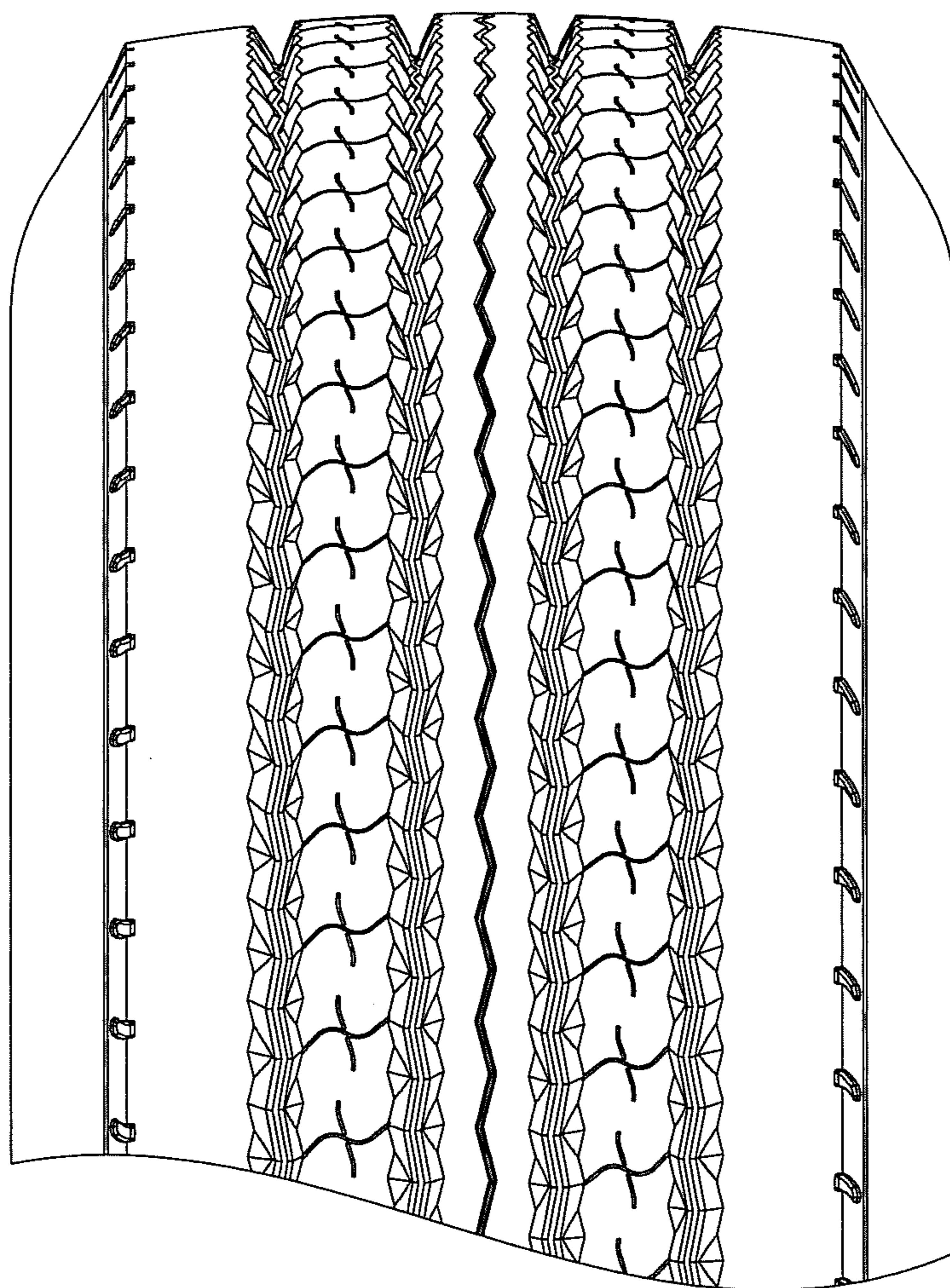


FIG. 4