

US00D734708S

(12) **United States Design Patent**
Kang

(10) **Patent No.:** **US D734,708 S**

(45) **Date of Patent:** **** Jul. 21, 2015**

(54) **TIRE TREAD**

(71) Applicant: **HANKOOK TIRE CO., LTD.**, Seoul (KR)

(72) Inventor: **Seung Koo Kang**, Seoul (KR)

(73) Assignee: **Hankook Tire Co., Ltd.**, Seoul (KR)

(**) Term: **14 Years**

(21) Appl. No.: **29/482,422**

(22) Filed: **Feb. 18, 2014**

(30) **Foreign Application Priority Data**

Aug. 19, 2013 (KR) 30-2013-0042409

(51) **LOC (10) Cl.** **12-15**

(52) **U.S. Cl.**
USPC **D12/520**

(58) **Field of Classification Search**

USPC D12/505-532

CPC B60C 11/0304; B60C 11/0302; B60C 11/0306; B60C 11/0309; B60C 11/0318; B60C 11/0311; B60C 11/042; B60C 11/13; B60C 11/00; B60C 11/11; B60C 11/12

See application file for complete search history.

(56) **References Cited**

U.S. PATENT DOCUMENTS

D64,742 S * 5/1924 Germain D12/506
D315,129 S * 3/1991 Graas et al. D12/532
D334,160 S * 3/1993 Woo D12/522
D338,859 S * 8/1993 Maxwell et al. D12/515

D342,223 S * 12/1993 McKisson et al. D12/520
D382,523 S * 8/1997 Ratliff, Jr. D12/532
D482,318 S * 11/2003 Tanigawa D12/517
D515,022 S * 2/2006 Helt et al. D12/528
D559,168 S * 1/2008 Murata D12/519
D600,628 S * 9/2009 Miyazaki D12/514
D612,321 S * 3/2010 Bott et al. D12/519
D634,263 S * 3/2011 Irwin et al. D12/522
D643,801 S * 8/2011 Lo D12/529
D700,879 S * 3/2014 Harris et al. D12/528

* cited by examiner

Primary Examiner — Stacia Cadmus

(74) *Attorney, Agent, or Firm* — Hamre, Schumann, Mueller & Larson, P.C.

(57) **CLAIM**

The ornamental design for a tire tread, as shown and described.

DESCRIPTION

FIG. 1 is a perspective view of a tire tread showing my new design, it being understood that the pattern is repeated uniformly throughout the circumference of the tread;

FIG. 2 is a front elevational view thereof;

FIG. 3 is a rear elevational view thereof;

FIG. 4 is a left side view thereof;

FIG. 5 is a right side view thereof;

FIG. 6 is a top plan view thereof;

FIG. 7 is a bottom plan view thereof; and,

FIG. 8 is an enlarged fragmentary view from upper A-A to lower A-A.

The broken line environmental showing is for illustrative purposes only and forms no part of the claimed design.

1 Claim, 8 Drawing Sheets

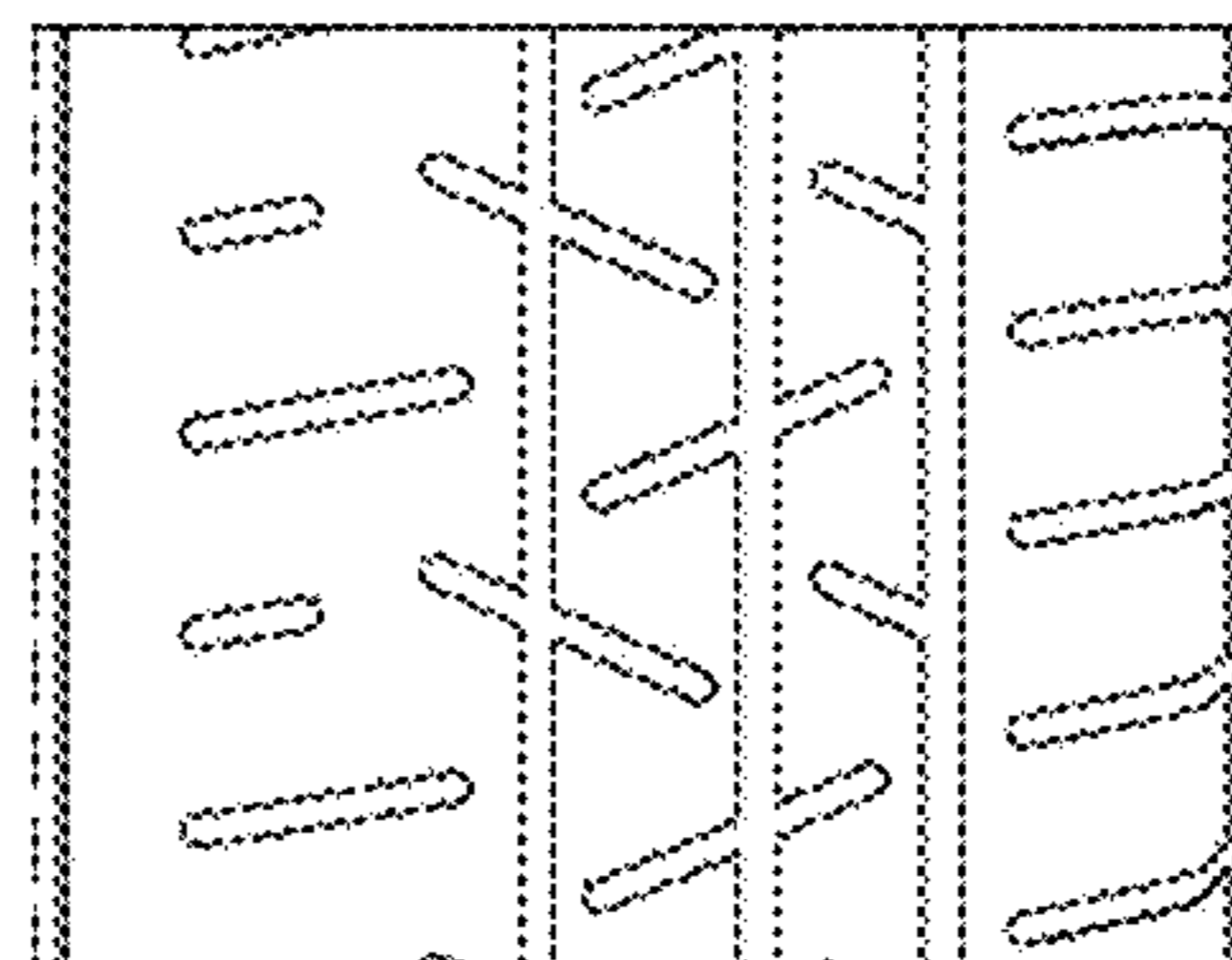
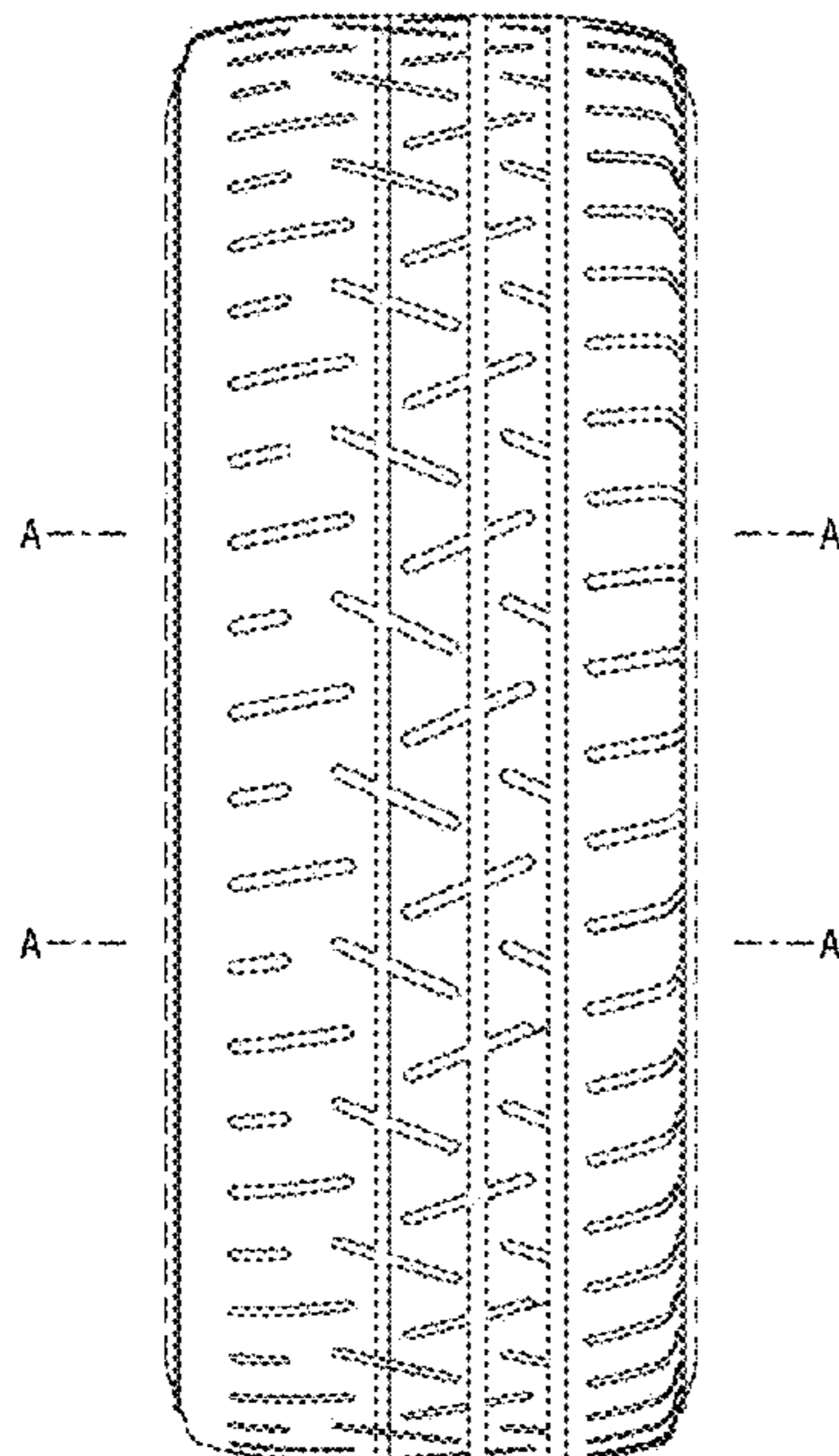


FIG. 1

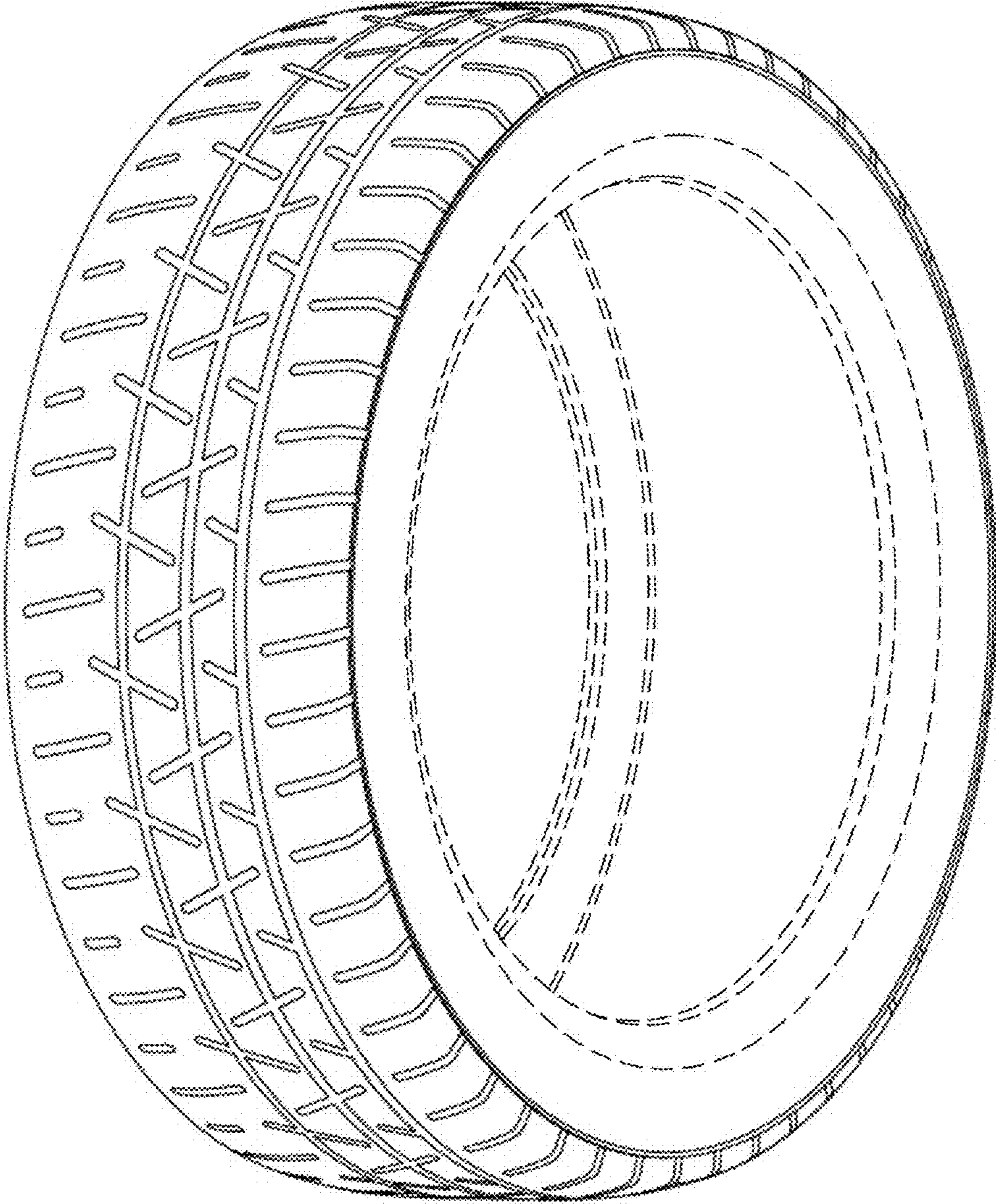


FIG. 2

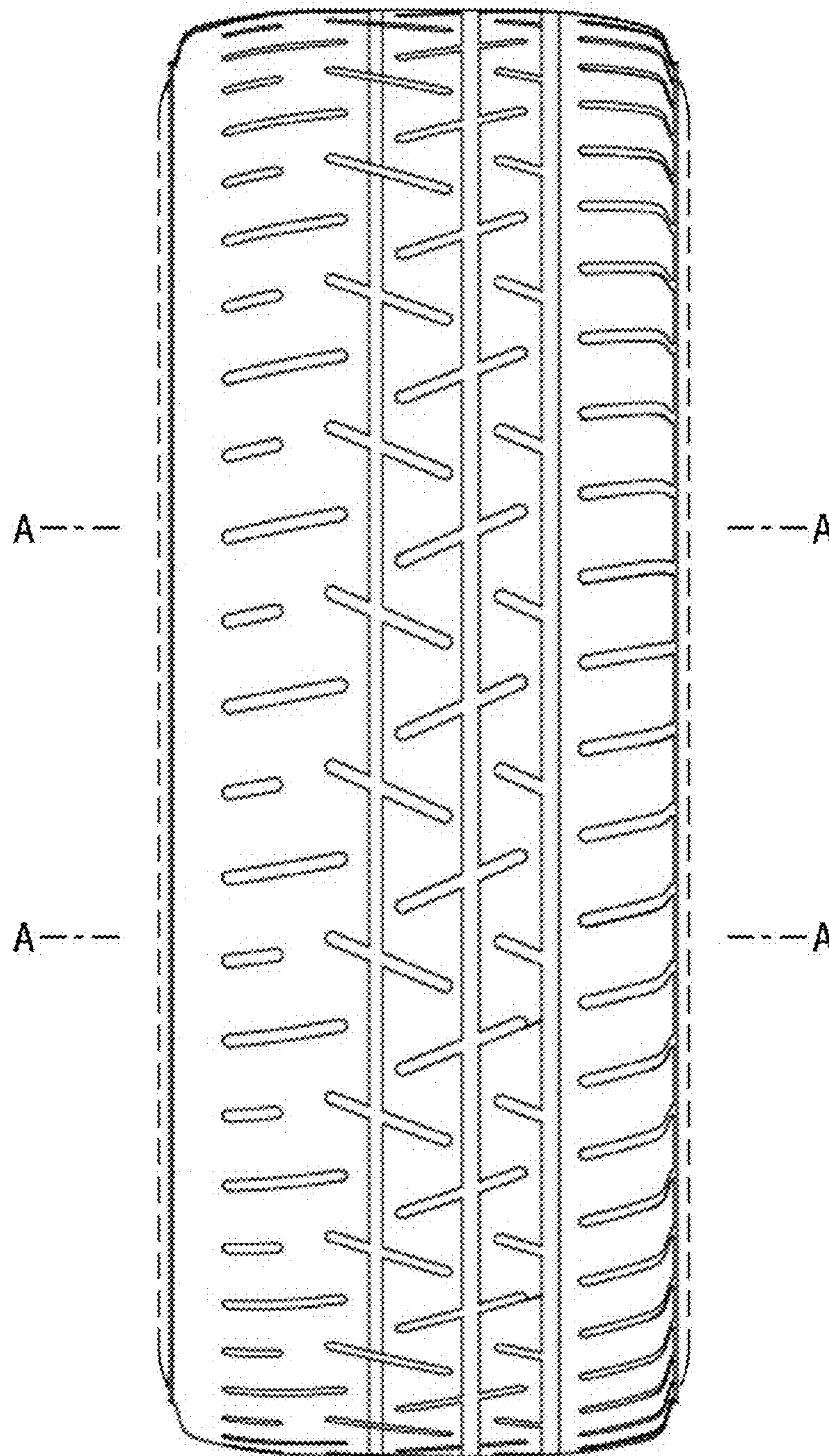


FIG. 3

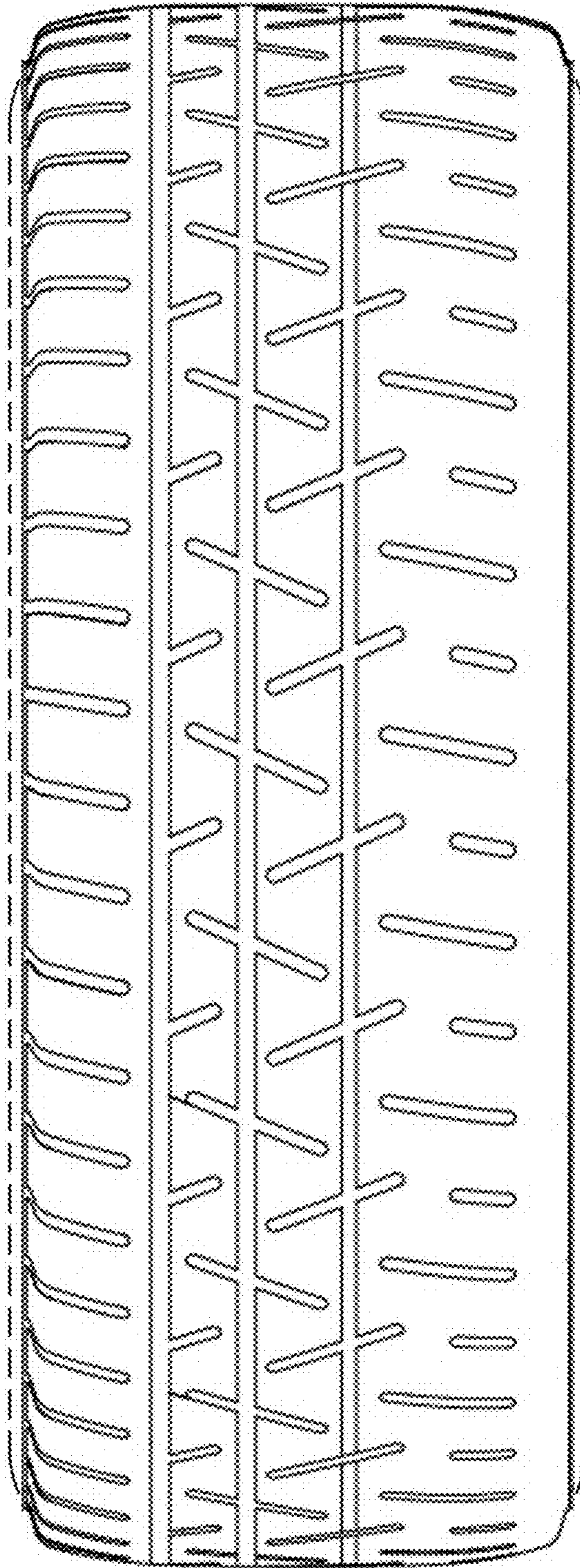


FIG. 4

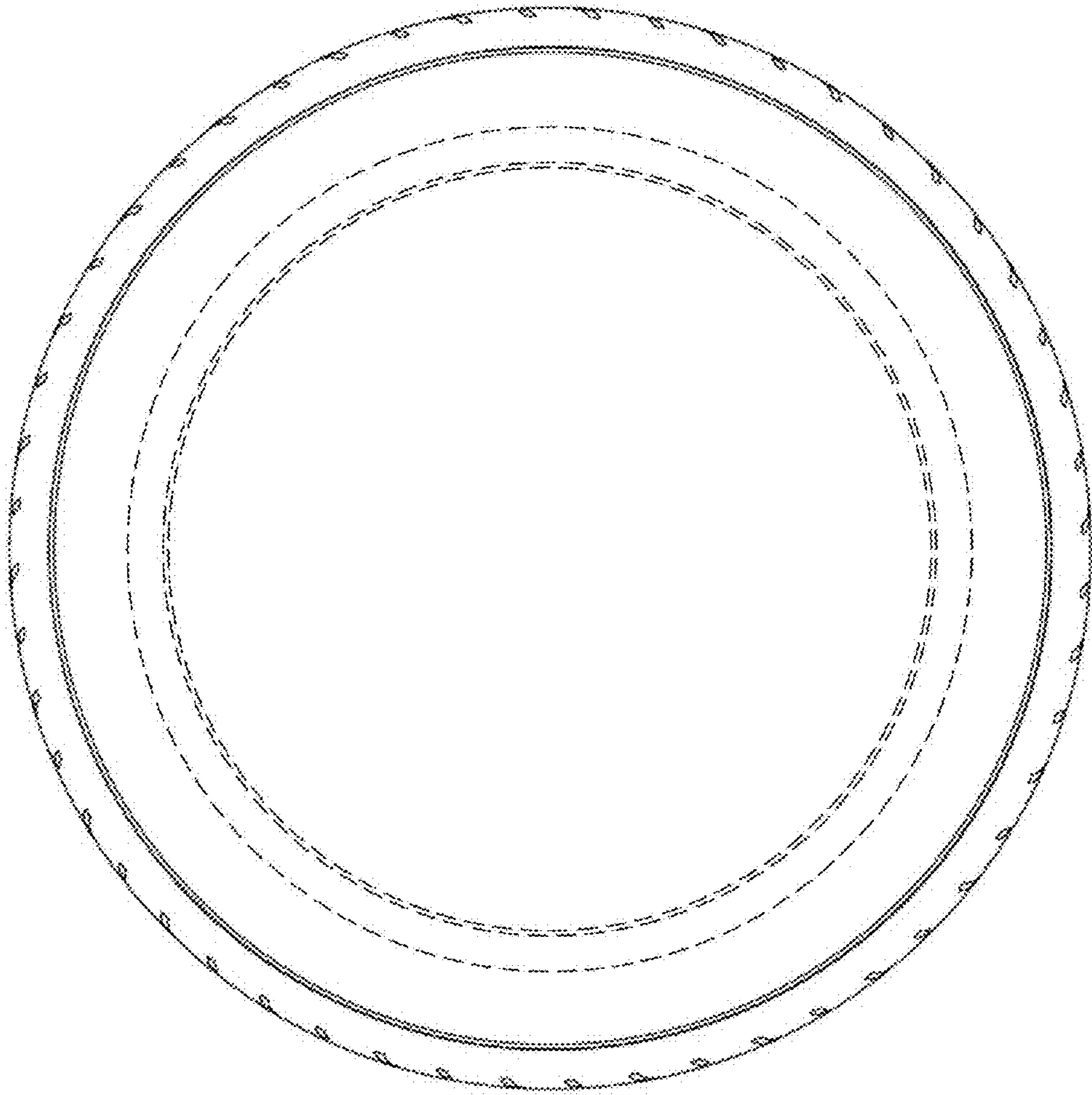


FIG. 5

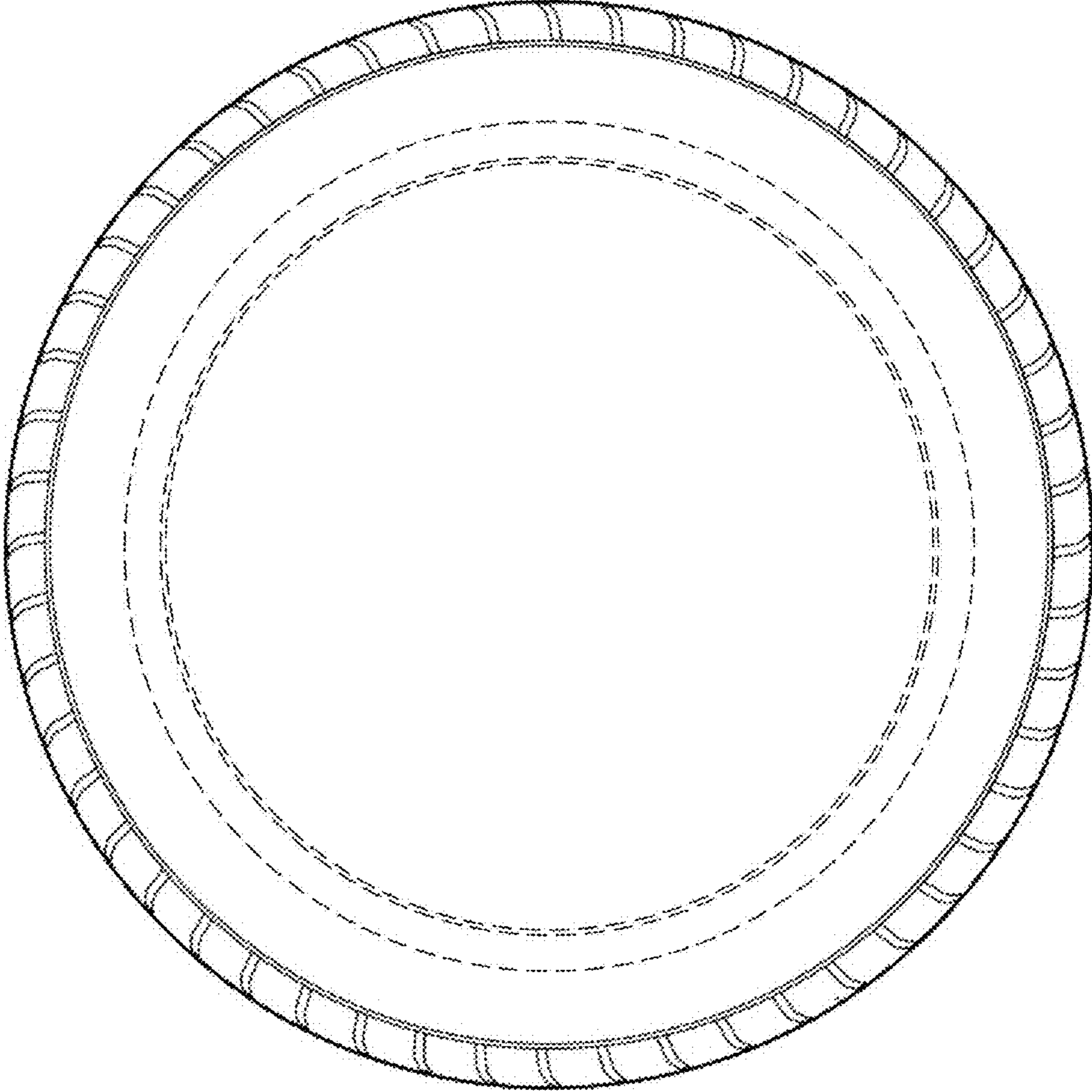


FIG. 6

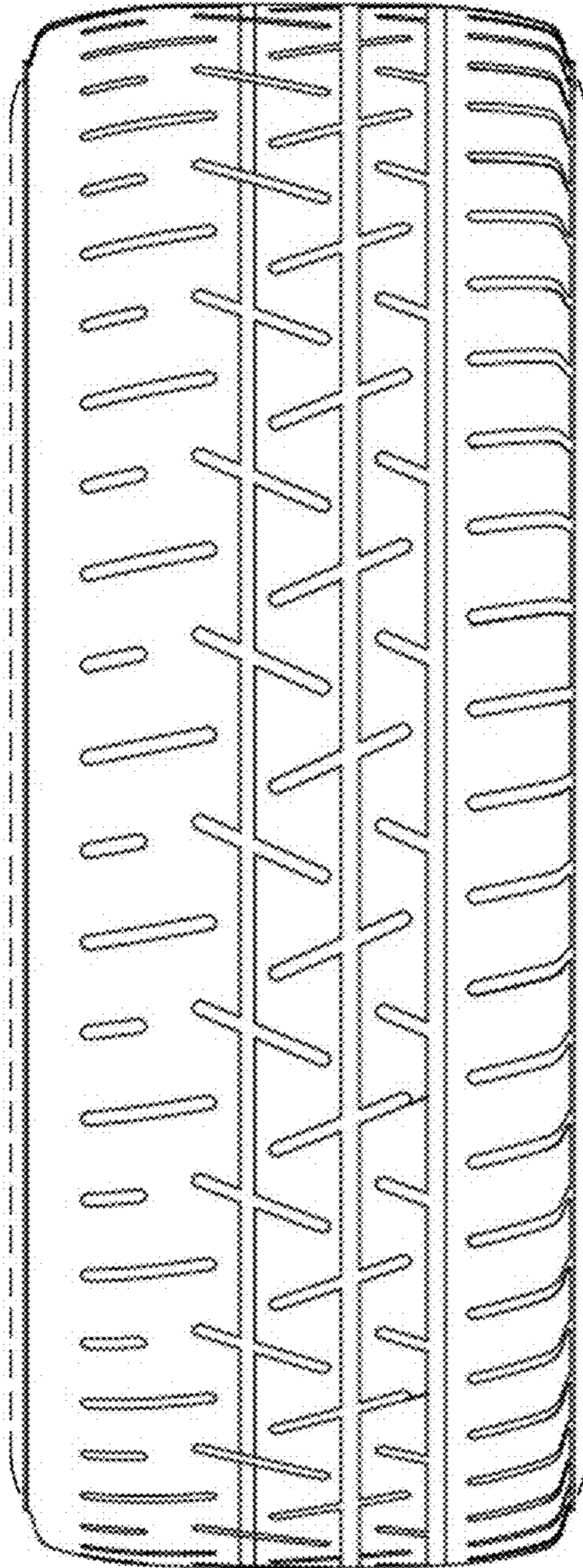


FIG. 7

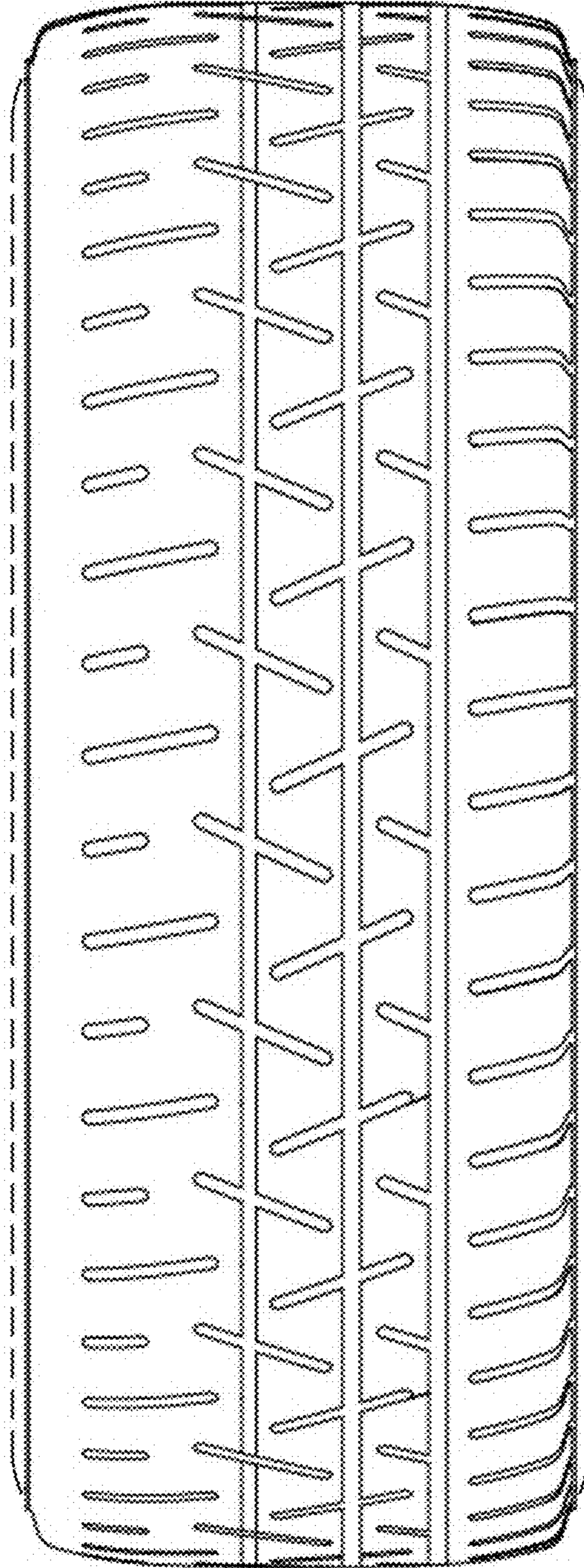


FIG. 8

