



US00D734706S

(12) **United States Design Patent**
Gleaton et al.

(10) **Patent No.:** **US D734,706 S**
(45) **Date of Patent:** **** Jul. 21, 2015**

(54) **VEHICLE HOLSTER MOUNT**

- (71) Applicant: **GUM CREEK CUSTOMS, LLC**,
Oxford, GA (US)
- (72) Inventors: **George Bert Gleaton**, McDonough, GA
(US); **Jimmy Fred Smallwood**, Oxford,
GA (US); **David Glenn Wasson**,
Oxford, GA (US)
- (73) Assignee: **GUM CREEK CUSTOMS, LLC**,
Oxford, GA (US)
- (**) Term: **14 Years**
- (21) Appl. No.: **29/483,299**
- (22) Filed: **Feb. 27, 2014**

Related U.S. Application Data

- (63) Continuation of application No. 12/897,748, filed on
Oct. 4, 2010.
- (51) **LOC (10) Cl.** **12-16**
- (52) **U.S. Cl.**
USPC **D12/415**
- (58) **Field of Classification Search**
USPC D12/415-419, 423; D6/513, 514, 611,
D6/553, 556, 559; D7/601-602, 605-607;
D3/216, 217, 319; 224/652-653, 627,
224/153, 539, 314, 318; 296/37.8-37.15;
297/188.04-188.07, 188.12, 188.2
See application file for complete search history.

(56) **References Cited**

U.S. PATENT DOCUMENTS

2,767,995	A *	10/1956	Stout	280/755
5,676,290	A *	10/1997	Liu	224/275
D619,079	S *	7/2010	Bailo	D12/416
D632,510	S *	2/2011	Johnson	D6/502
D650,733	S *	12/2011	Cooney et al.	D12/416
8,793,815	B1 *	8/2014	Kelley-Mozsy	2/247
8,973,518	B2 *	3/2015	Anga	116/215

* cited by examiner

Primary Examiner — Katrina A Betton

(74) *Attorney, Agent, or Firm* — Michael J. Bootcheck, LLC

(57) **CLAIM**

The ornamental design for a vehicle holster mount, as shown and described.

DESCRIPTION

FIG. 1 is a perspective view of the vehicle holster mount positioned in an exemplary installation below an exemplary steering column (shown in phantom and not part of the claimed invention);

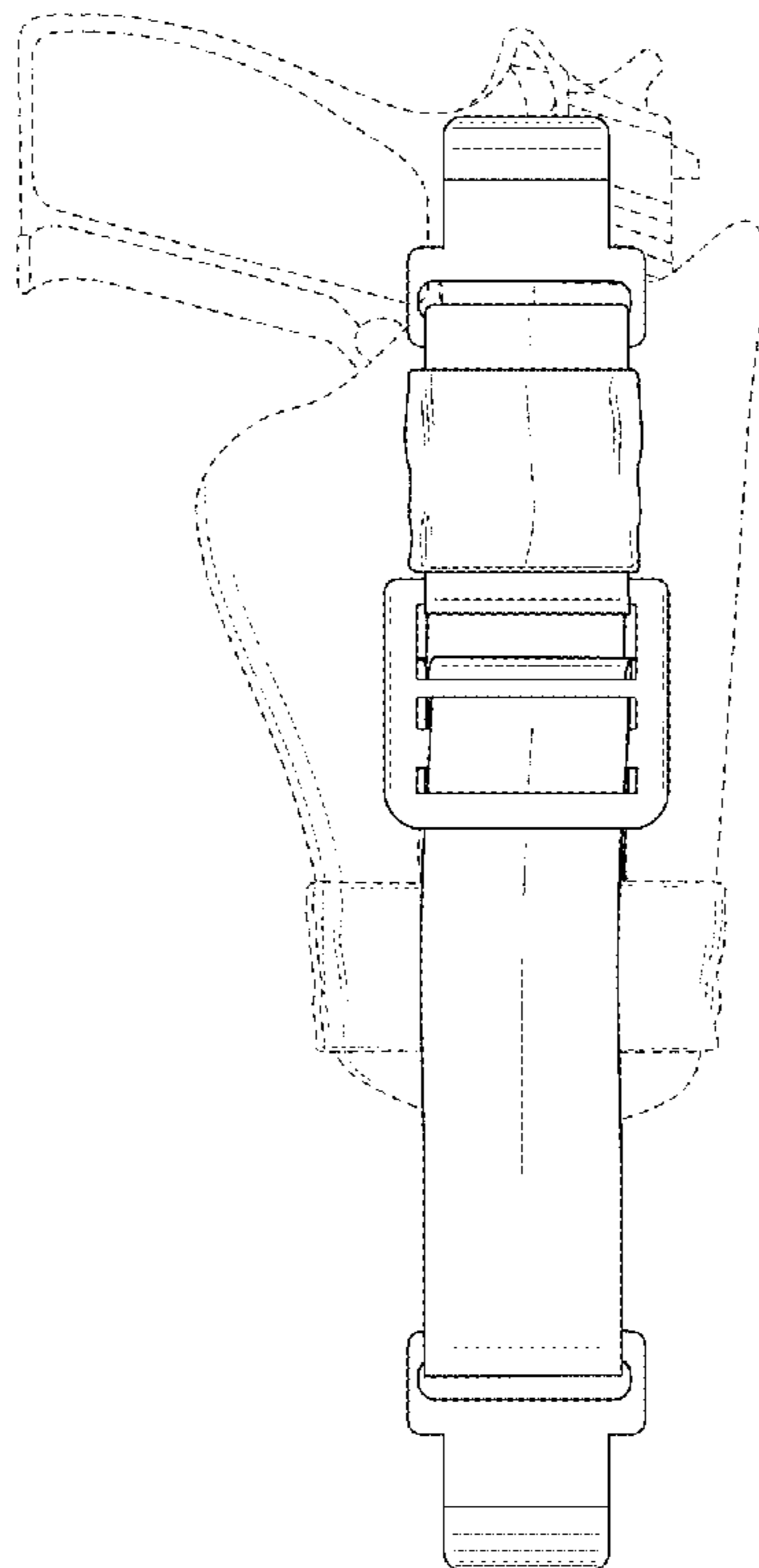
FIG. 2 is a front view thereof;

FIG. 3 is a rear view thereof;

FIG. 4 is a side view thereof; and,

FIG. 5 is rear view thereof also showing an exemplary holster and handgun (in phantom and not a part of the claimed invention) being held by the vehicle holster mount.

1 Claim, 3 Drawing Sheets



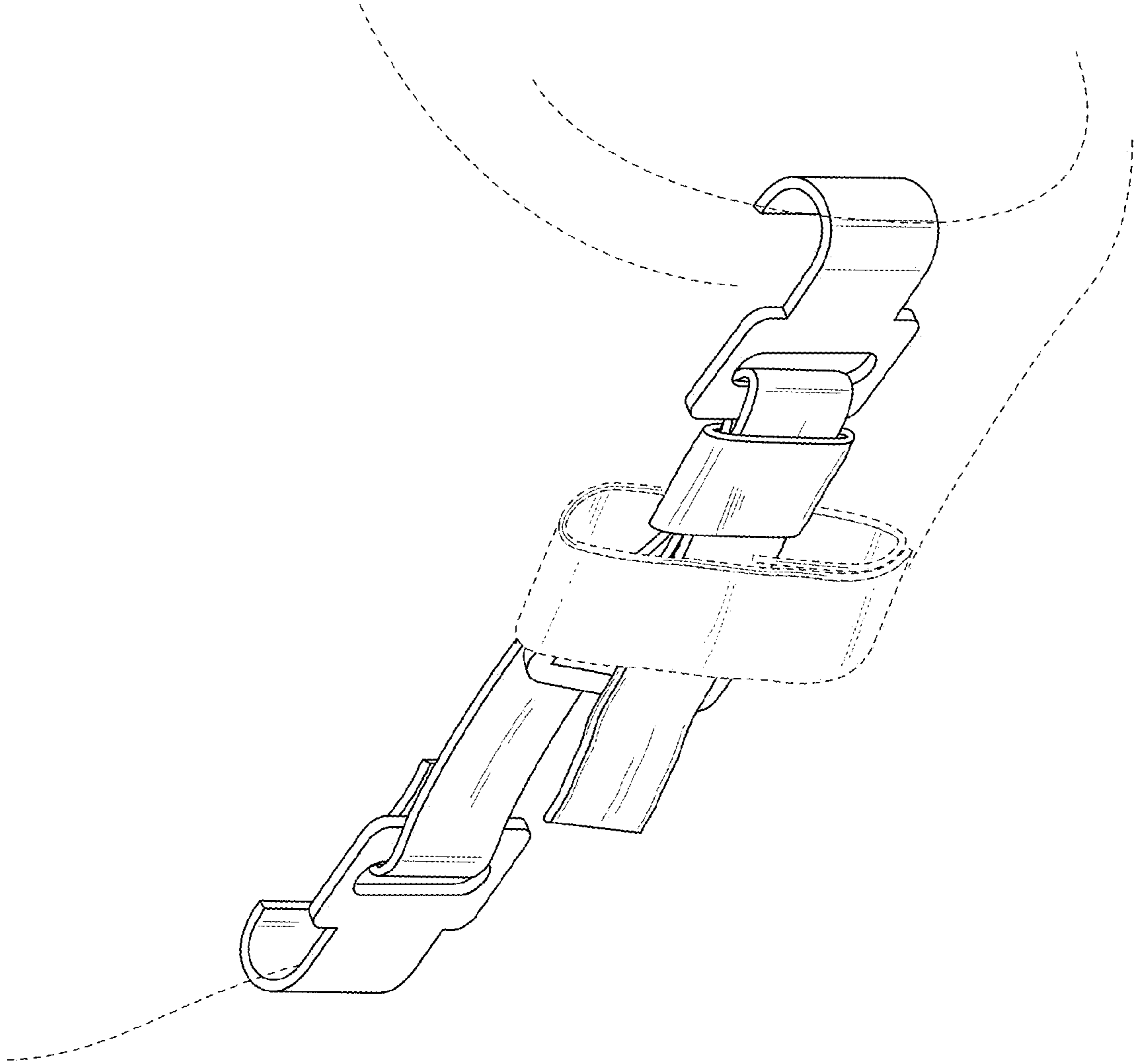


FIG. 1

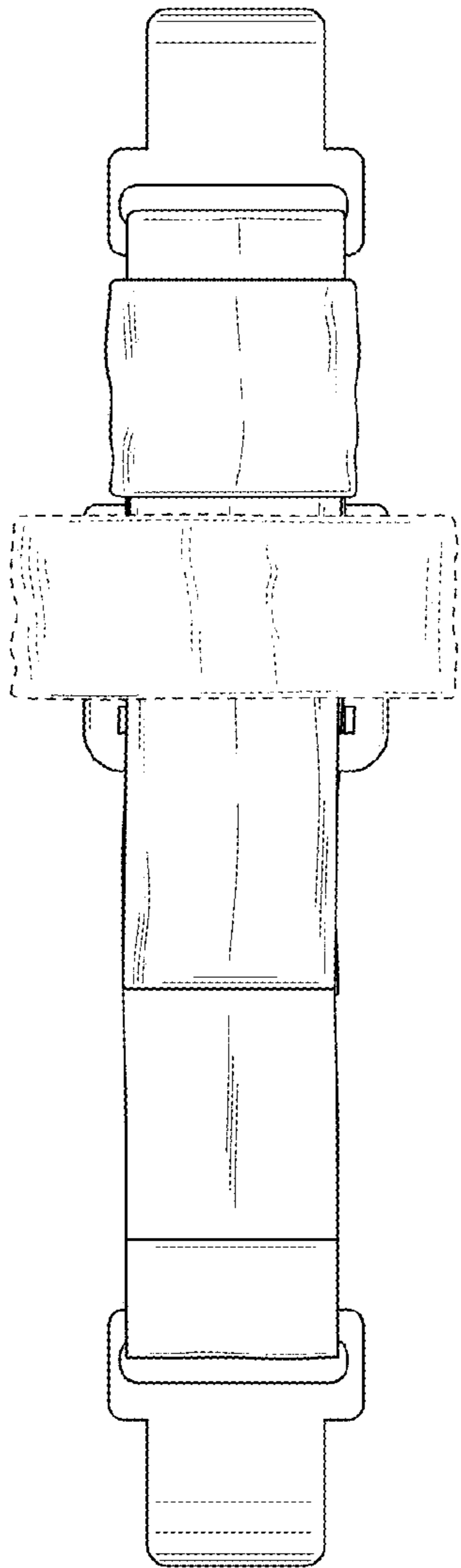


FIG. 2

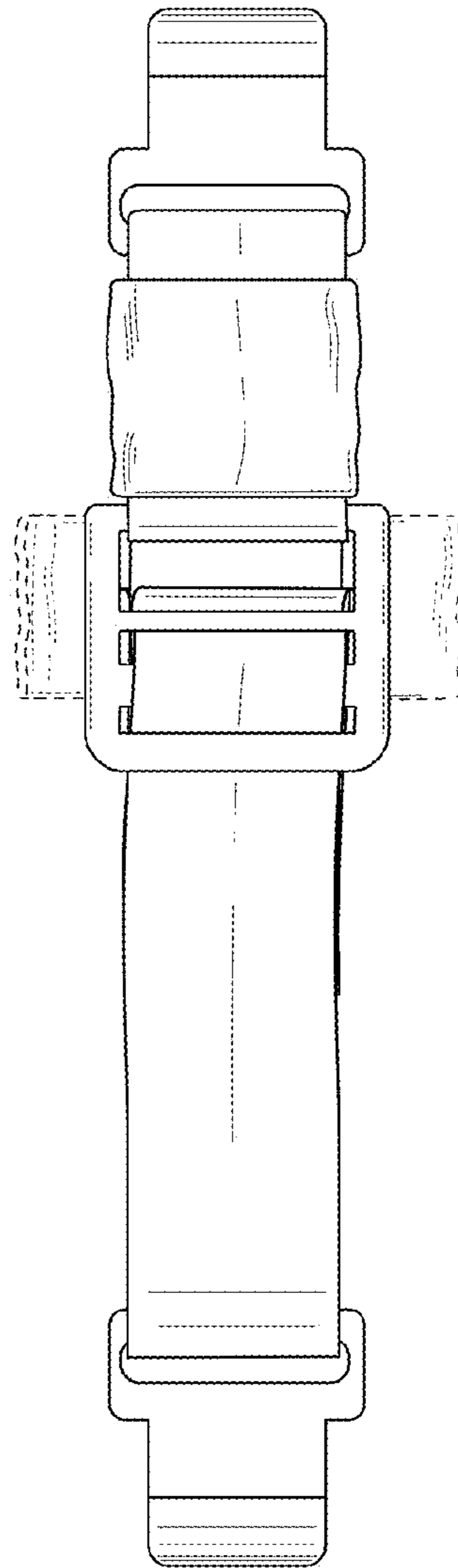


FIG. 3

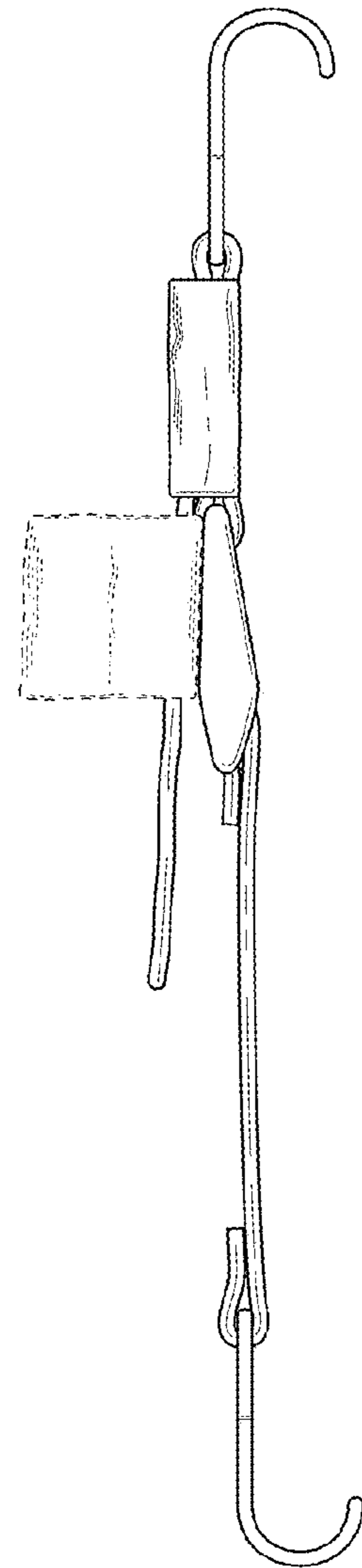


FIG. 4

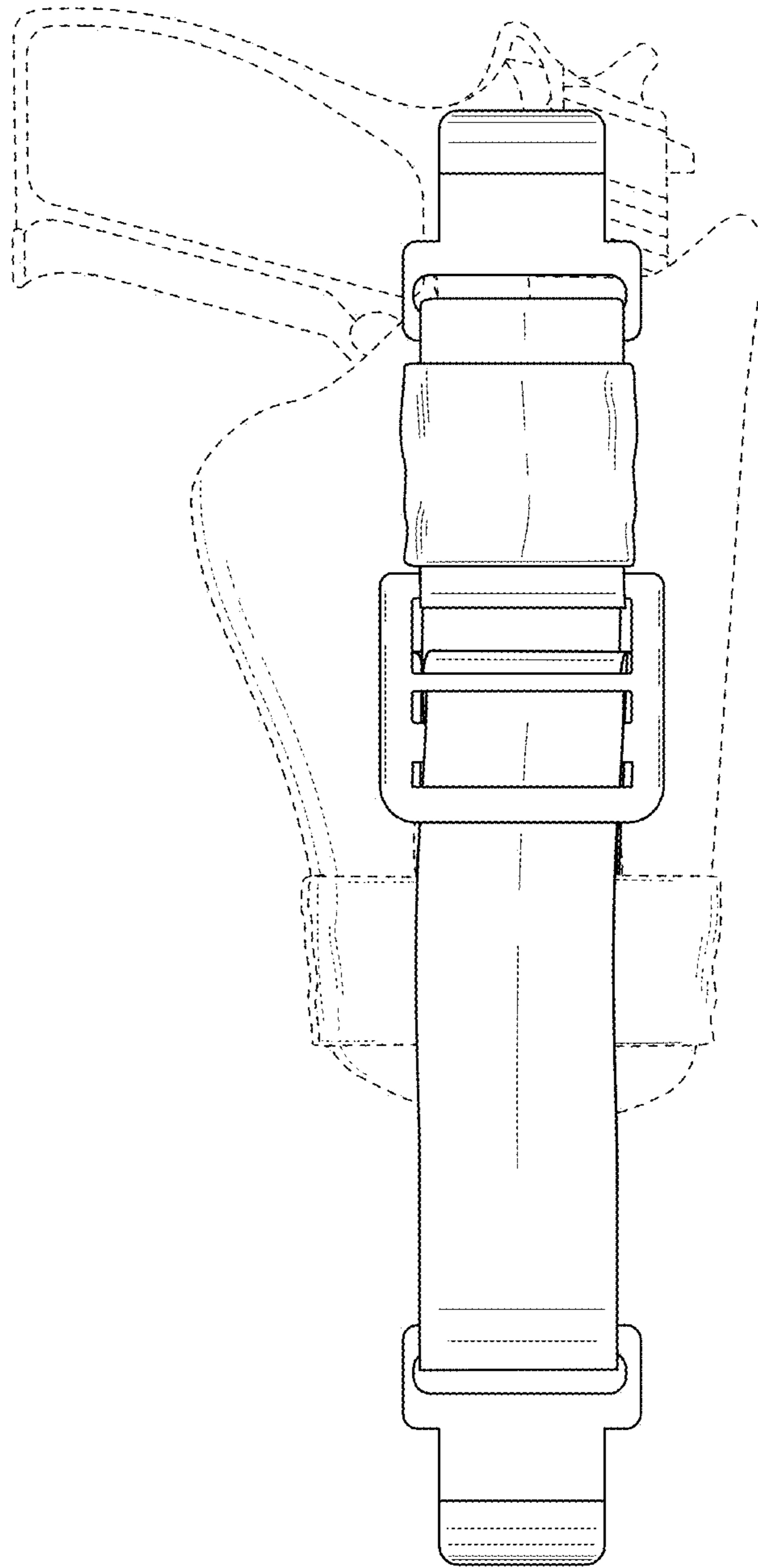


FIG. 5