



US00D734705S

(12) **United States Design Patent**
Chung

(10) **Patent No.:** **US D734,705 S**
(45) **Date of Patent:** **** Jul. 21, 2015**

(54) **AUTOMOTIVE WHEEL**

(71) Applicant: **Suny Chung**, Anaheim, CA (US)

(72) Inventor: **Suny Chung**, Anaheim, CA (US)

(**) Term: **14 Years**

(21) Appl. No.: **29/499,509**

(22) Filed: **Aug. 15, 2014**

(51) **LOC (10) Cl.** **12-16**

(52) **U.S. Cl.**
USPC **D12/211**

(58) **Field of Classification Search**
USPC D12/204-213
CPC B60B 7/00; B60B 7/02; B60B 7/04;
B60B 7/01; B60B 7/06; B60B 3/02; B60B
3/04; B60B 3/06; B60B 3/10; B60B 1/00;
B60B 1/08; B60B 1/10; B60B 1/12
See application file for complete search history.

(56) **References Cited**

U.S. PATENT DOCUMENTS

D403,289 S * 12/1998 Watanabe D12/209
D480,676 S * 10/2003 Bhambra D12/211
D482,308 S * 11/2003 Lee D12/211

D530,259 S * 10/2006 Sands D12/211
D572,651 S * 7/2008 Schweizer D12/211
D579,397 S * 10/2008 Osborne D12/211
D584,672 S * 1/2009 Osborne D12/209
D673,102 S * 12/2012 Behmer et al. D12/211
D687,756 S * 8/2013 Campbell et al. D12/209
D697,010 S * 1/2014 Lorinser D12/209
D706,701 S * 6/2014 Mays et al. D12/211
D715,718 S * 10/2014 Gotschke et al. D12/209

* cited by examiner

Primary Examiner — Stacia Cadmus

(57) **CLAIM**

The ornamental design for an automotive wheel, as shown and described.

DESCRIPTION

FIG. 1 is a perspective view of an automotive wheel, showing my new design;
FIG. 2 is a front view thereof;
FIG. 3 is a perspective view of a second embodiment of an automotive wheel; and,
FIG. 4 is a front view of FIG. 3.
The broken line showing of the rear portion of the wheel is included for the purpose of illustrating environment and forms no part of the claimed design.

1 Claim, 4 Drawing Sheets

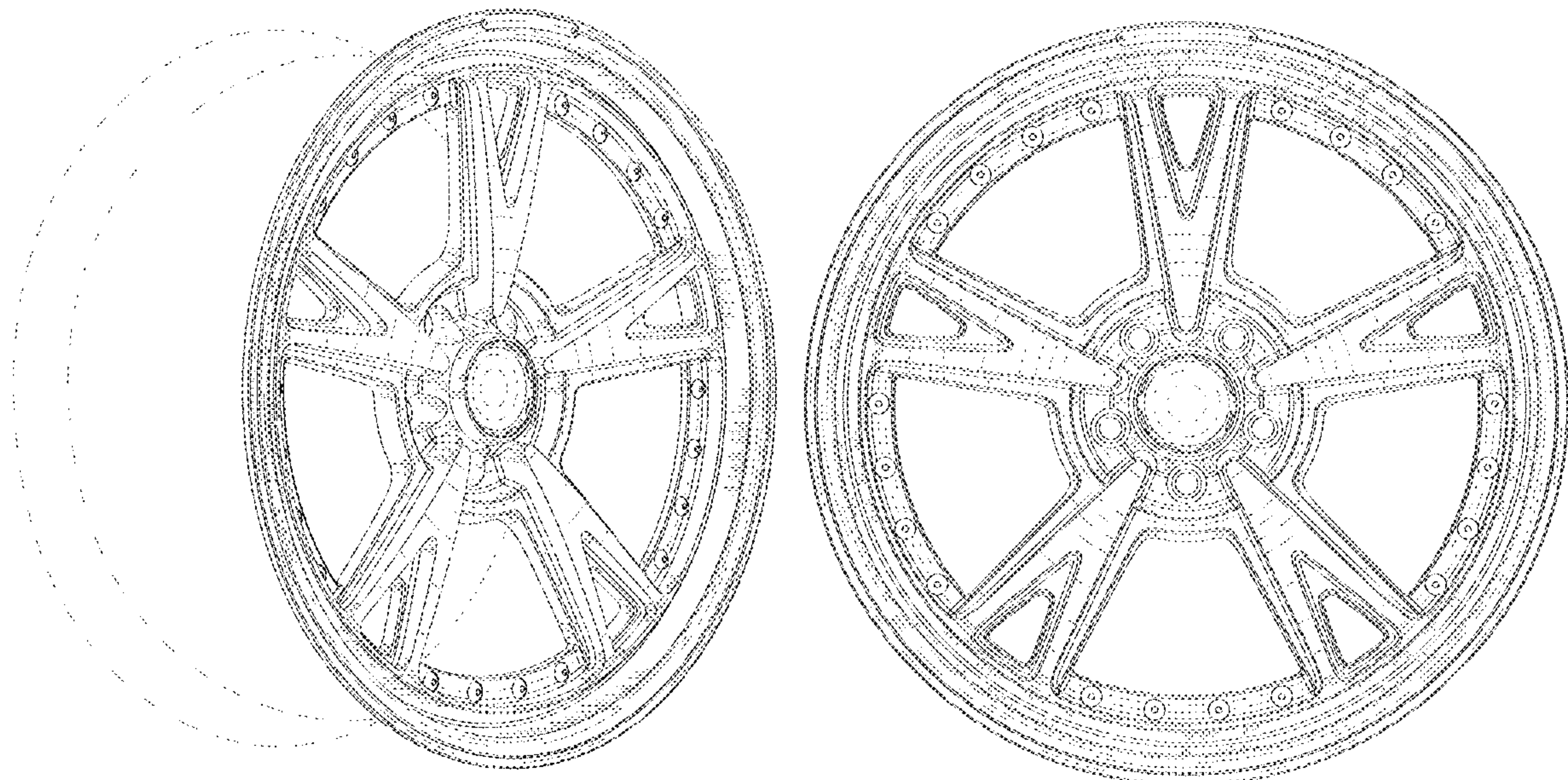


FIGURE 1

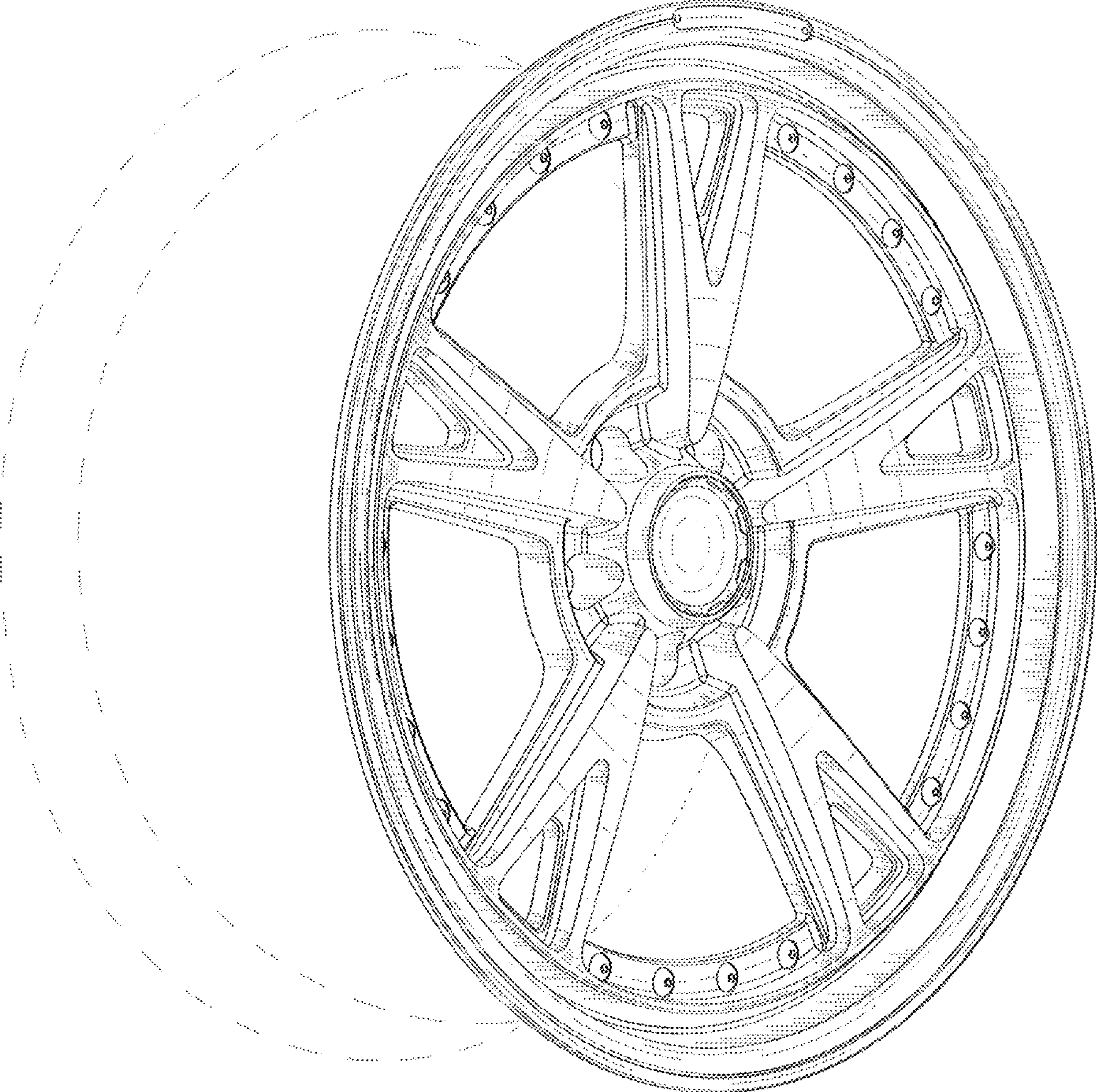


FIGURE 2

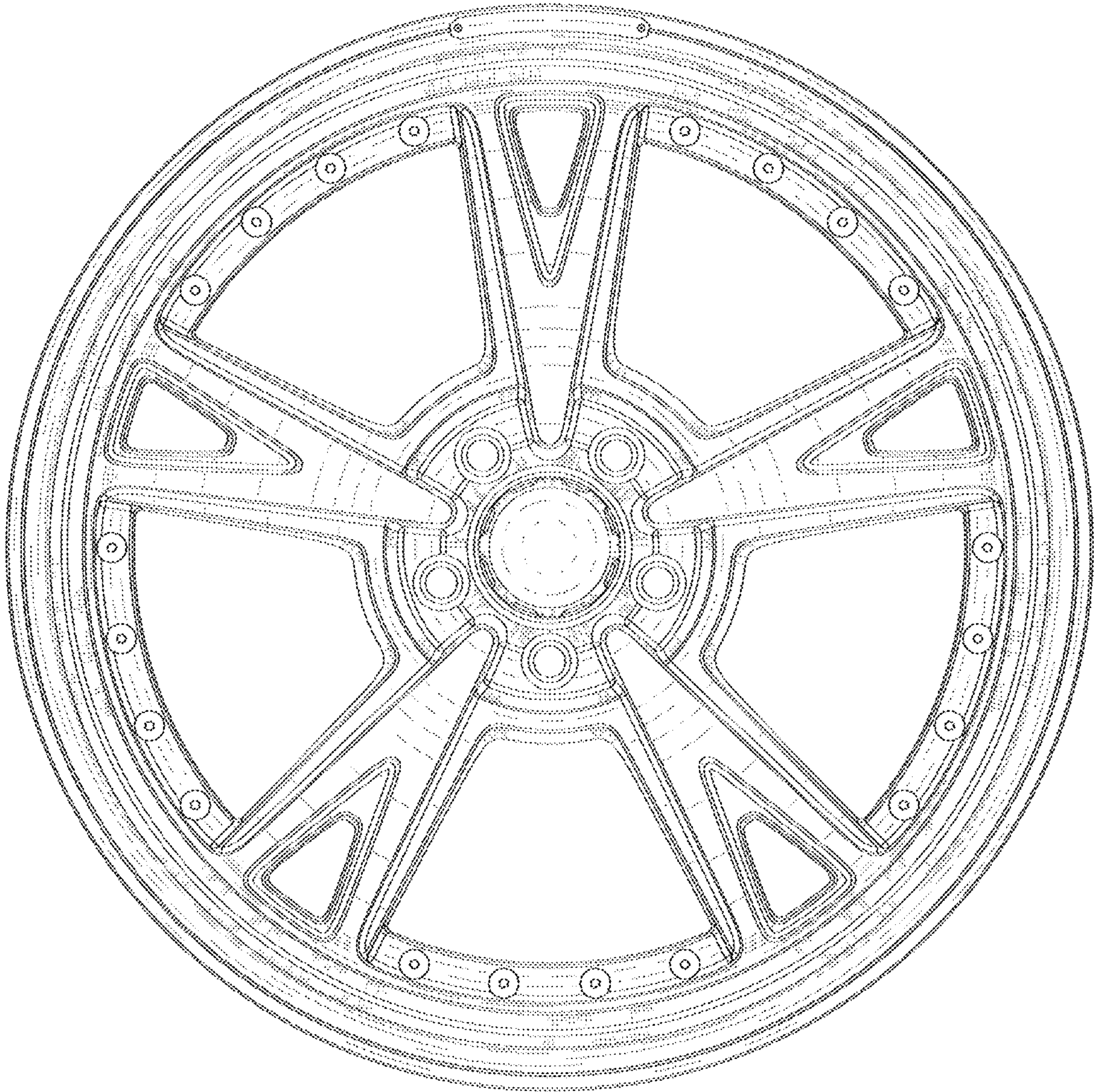


FIGURE 3

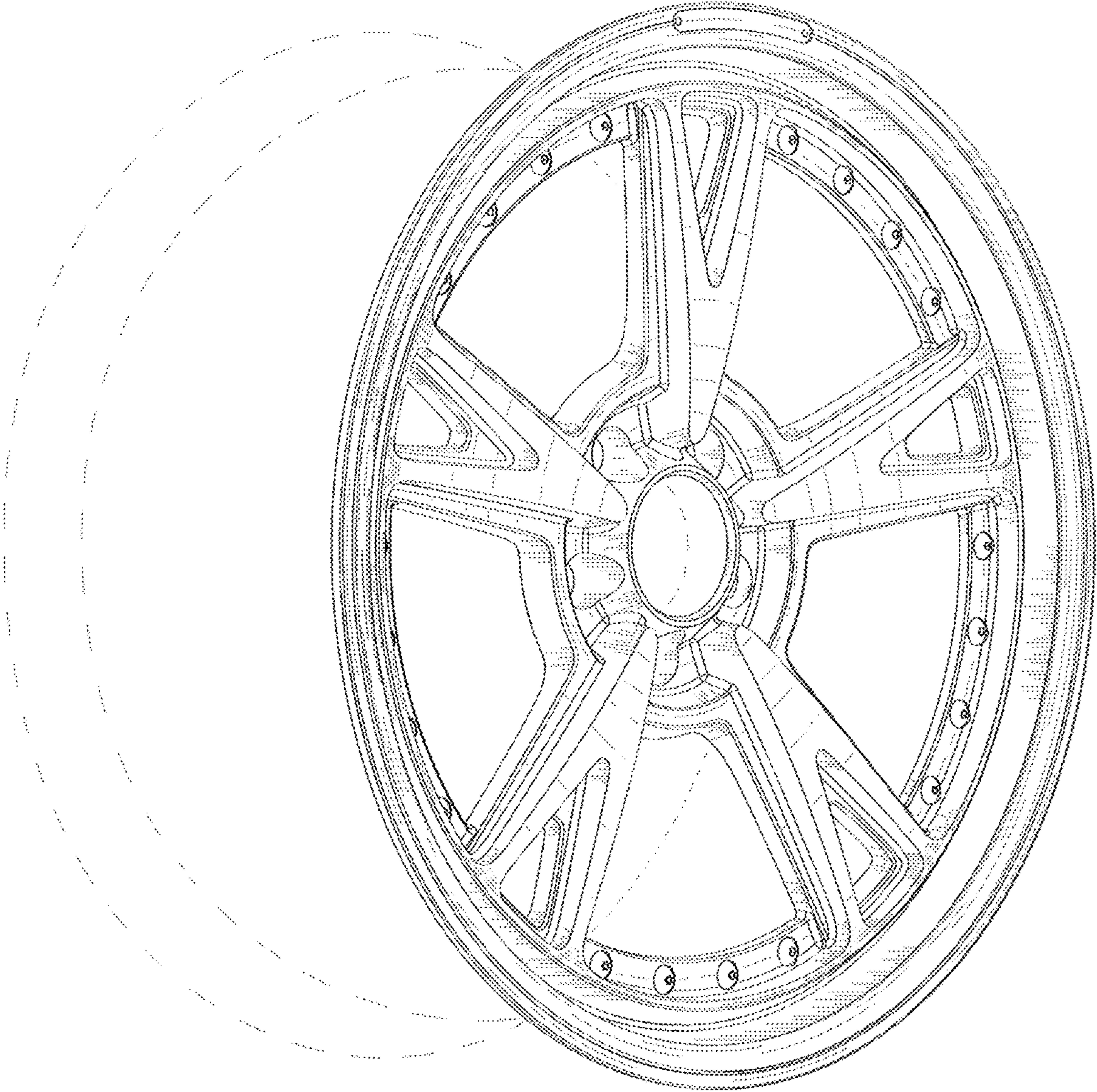


FIGURE 4

