



US00D734703S

(12) **United States Design Patent**  
**Aktarian**

(10) **Patent No.:** **US D734,703 S**

(45) **Date of Patent:** **\*\* Jul. 21, 2015**

(54) **VEHICLE WHEEL**

(71) Applicants: **Onnik Nick Aktarian**, Victoria (CA);  
**Robert E. Desjardins**, Victoria (CA)

(72) Inventor: **Onnik Nick Aktarian**, Victoria (CA)

(\*\*) Term: **14 Years**

(21) Appl. No.: **29/516,323**

(22) Filed: **Jan. 30, 2015**

(51) **LOC (10) Cl.** ..... **12-16**

(52) **U.S. Cl.**  
USPC ..... **D12/209**

(58) **Field of Classification Search**  
USPC ..... D12/204–213  
CPC ..... B60B 7/00; B60B 7/02; B60B 7/04;  
B60B 7/01; B60B 7/06; B60B 3/02; B60B  
3/04; B60B 3/06; B60B 3/10; B60B 1/00;  
B60B 1/08; B60B 1/12

See application file for complete search history.

(56) **References Cited**

U.S. PATENT DOCUMENTS

D490,039 S *	5/2004	Boehm	.....	D12/211
D528,496 S *	9/2006	Marji	.....	D12/211
D543,140 S *	5/2007	Schulisi	.....	D12/209
D543,925 S *	6/2007	Plumer	.....	D12/213
D557,649 S *	12/2007	Schulisi	.....	D12/209
D563,856 S *	3/2008	McCowin	.....	D12/209
D575,217 S *	8/2008	Graf	.....	D12/209
D593,921 S *	6/2009	Miyazawa	.....	D12/211
D627,702 S *	11/2010	Chung	.....	D12/211
D651,958 S *	1/2012	Chung	.....	D12/209

\* cited by examiner

*Primary Examiner* — Stacia Cadmus

(74) *Attorney, Agent, or Firm* — MU Patents; Timothy Marc Shropshire

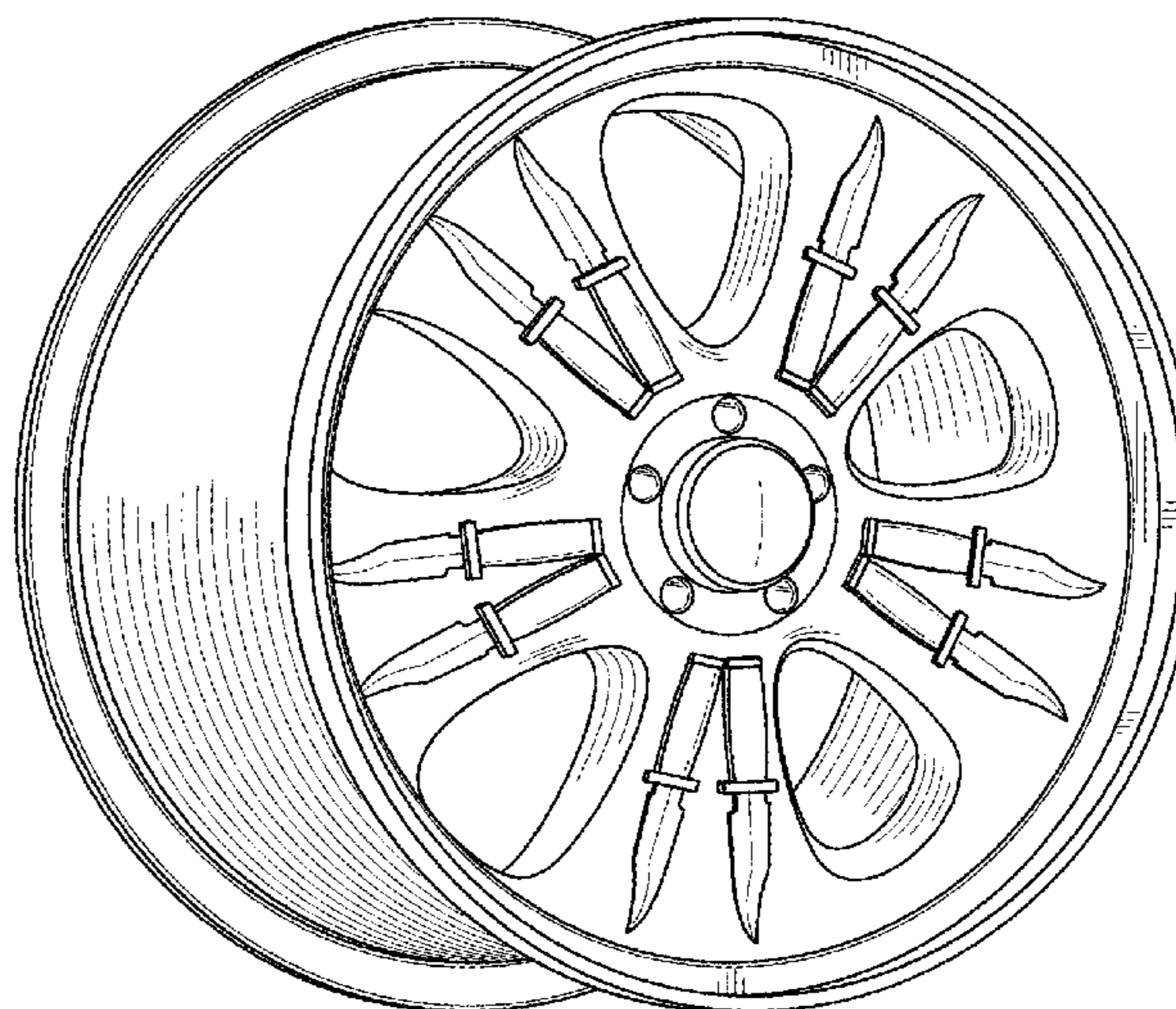
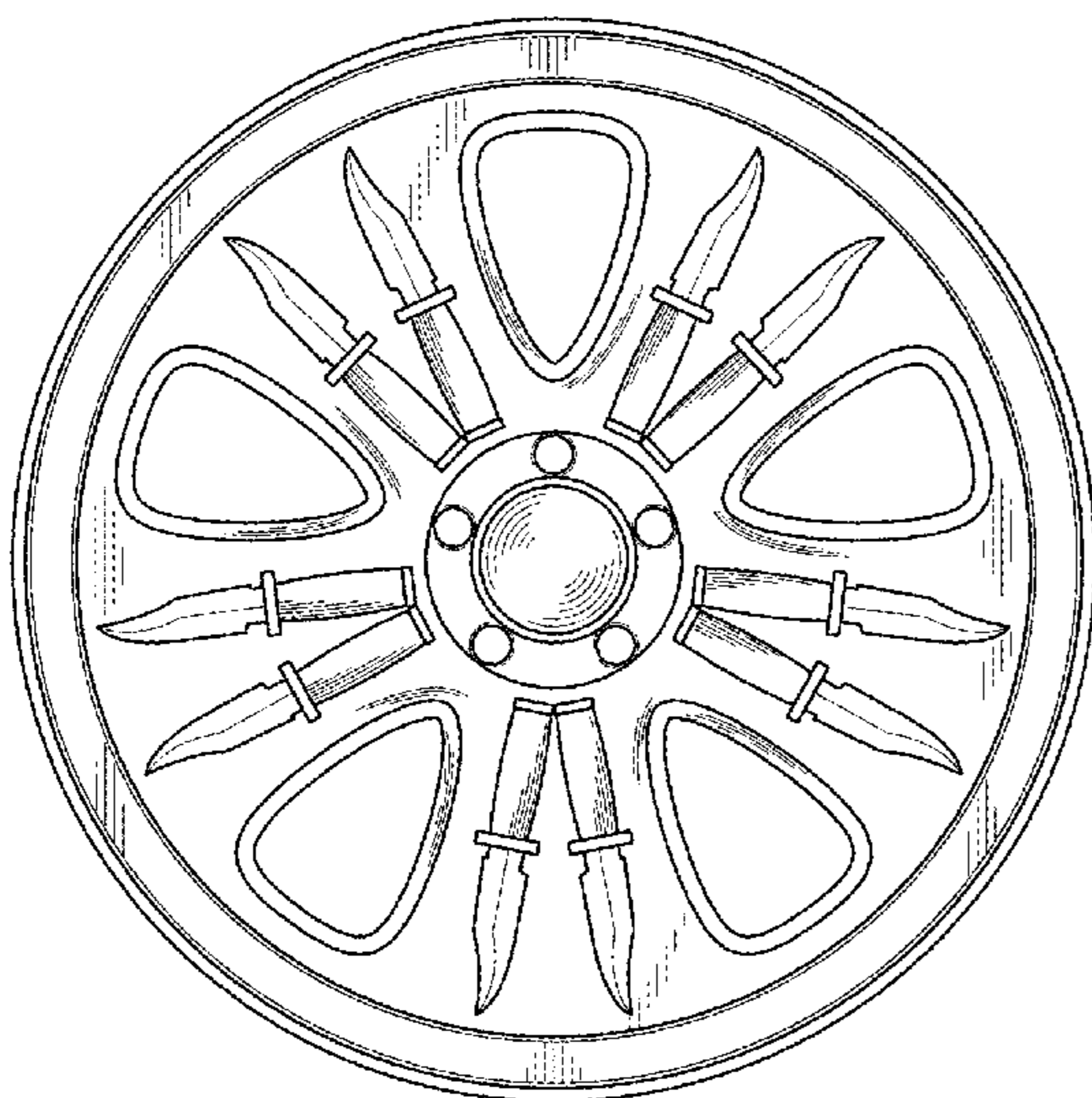
(57) **CLAIM**

The ornamental design for a vehicle wheel, as shown and described.

**DESCRIPTION**

FIG. 1 is a front elevation view of a vehicle wheel; and, FIG. 2 is a perspective view of the vehicle wheel of FIG. 1. The present design is a vehicle wheel with 3-D relief of knives protruding from the wheel's exterior surface.

**1 Claim, 2 Drawing Sheets**



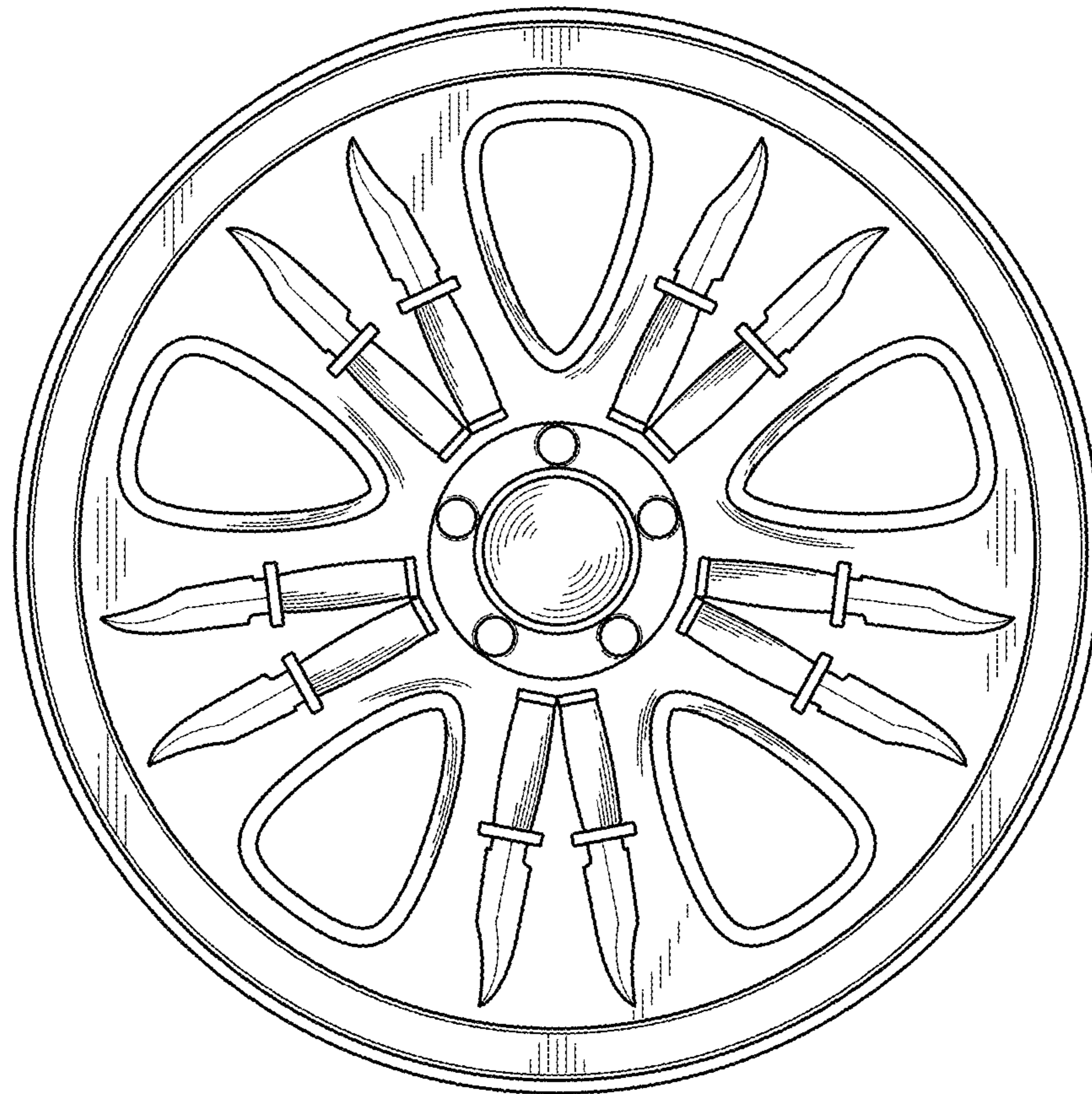


FIG. 1

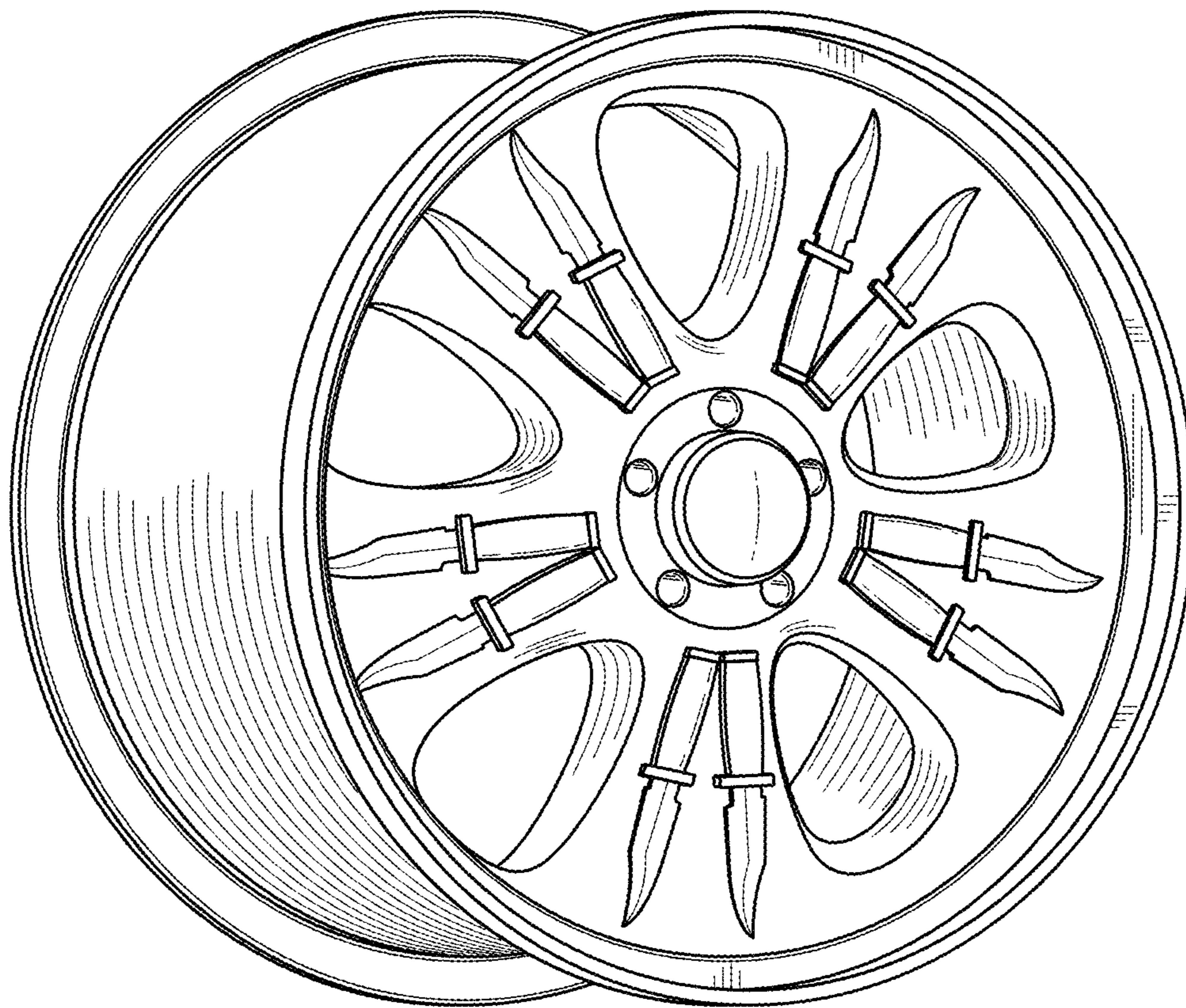


FIG. 2