

US00D734698S

(12) **United States Design Patent**
Hayashi

(10) **Patent No.:** **US D734,698 S**
(45) **Date of Patent:** **** Jul. 21, 2015**

(54) **INSTRUMENT PANEL FOR VEHICLES**

(56) **References Cited**

(71) Applicant: **JVC KENWOOD Corporation**,
Yokohama-shi, Kanagawa (JP)

(72) Inventor: **Eiichiro Hayashi**, Yokohama (JP)

(73) Assignee: **JVC KENWOOD CORPORATION**,
Yokohama-Shi, Kanagawa (JP)

(**) Term: **14 Years**

(21) Appl. No.: **29/486,346**

(22) Filed: **Mar. 28, 2014**

(30) **Foreign Application Priority Data**

Dec. 27, 2013 (JP) 2013-030717

(51) **LOC (10) Cl.** **12-16**

(52) **U.S. Cl.**
USPC **D12/192**

(58) **Field of Classification Search**
USPC D12/192, 415, 110, 114; 180/90;
280/750-752; 296/190.01-190.09,
296/191, 170; D15/17, 28; D10/46, 98,
D10/102-103, 122-127

See application file for complete search history.

U.S. PATENT DOCUMENTS

D690,614 S *	10/2013	Mascadri et al.	D10/125
D697,849 S *	1/2014	Tanaka et al.	D12/192
D697,851 S *	1/2014	Woo et al.	D12/192
D697,862 S *	1/2014	Nemeth et al.	D12/345
D699,171 S *	2/2014	Matsuo	D12/192
D704,608 S *	5/2014	Kanda et al.	D12/192
D705,142 S *	5/2014	Yamamoto et al.	D12/192
D705,143 S *	5/2014	Kawashima et al.	D12/192
D705,144 S *	5/2014	Ishikawa et al.	D12/192
D705,145 S *	5/2014	Mangan et al.	D12/192
D705,146 S *	5/2014	Takagi et al.	D12/192
D705,711 S *	5/2014	Yamamoto	D12/192
D721,995 S *	2/2015	Johansson	D12/192

* cited by examiner

Primary Examiner — Katrina A Betton

(74) *Attorney, Agent, or Firm* — Nath, Goldberg & Meyer;
Jerald L. Meyer

(57) **CLAIM**

The ornamental design for an instrument panel for vehicles,
as shown and described.

DESCRIPTION

FIG. 1 is a left-side front perspective view of instrument panel
for vehicles showing our new design;
FIG. 2 is a right-side front perspective view thereof,
FIG. 3 is a rear view thereof; and,
FIG. 4 is a top plan view thereof.
The broken lines shown are included for the purpose of illus-
trating the unclaimed portions of the article and form no part
of the claim.

1 Claim, 2 Drawing Sheets

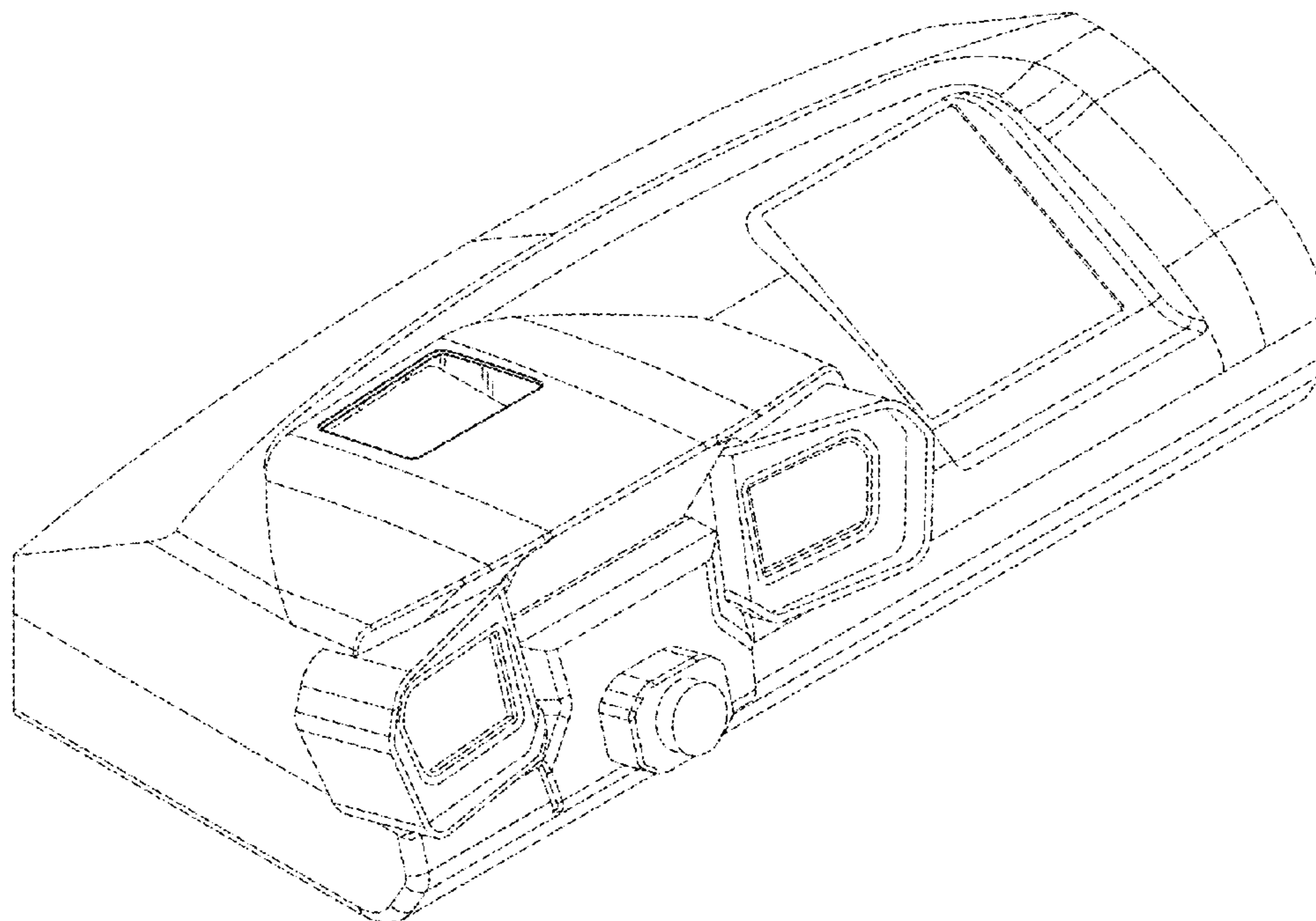


Fig.1

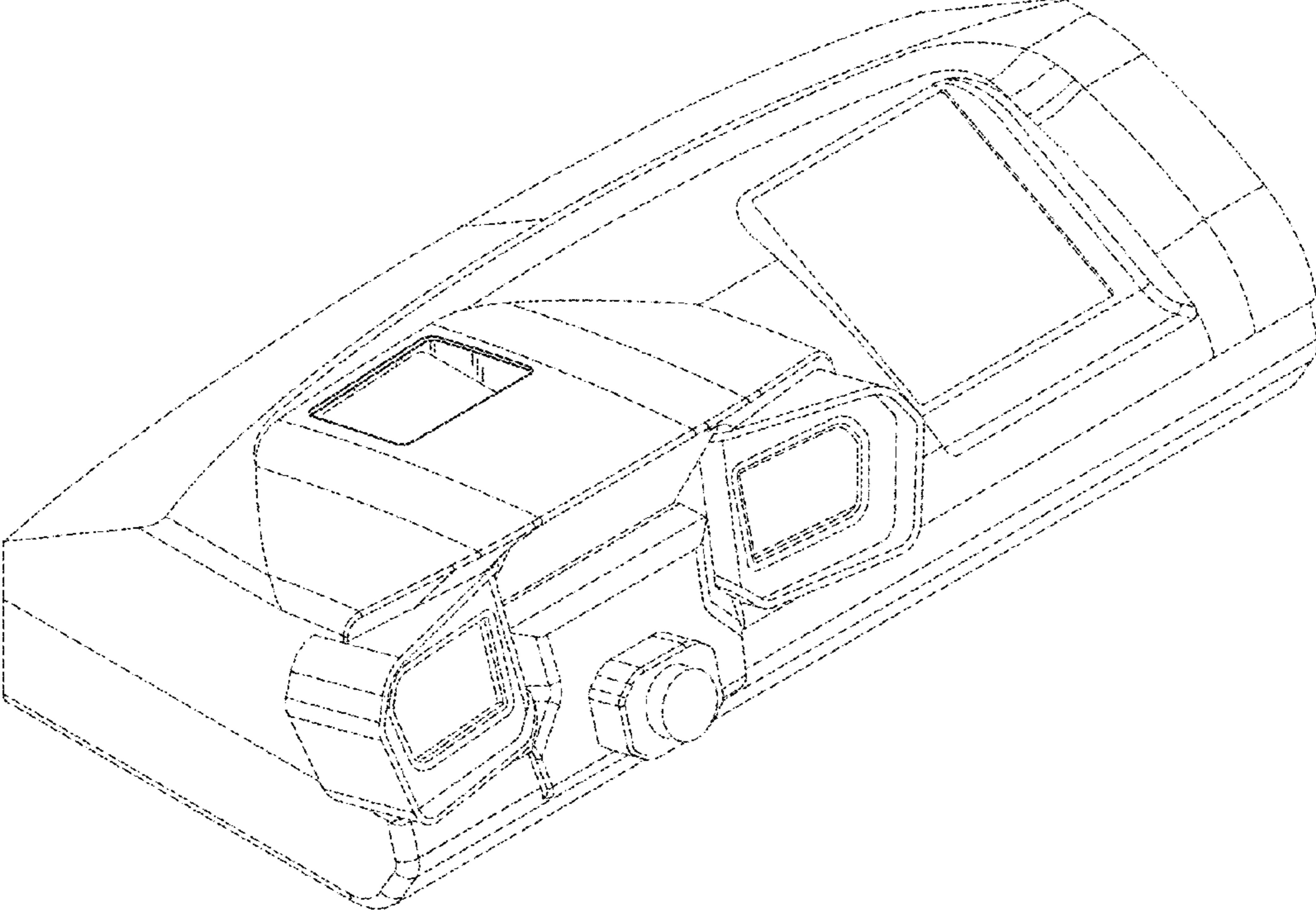


Fig.2

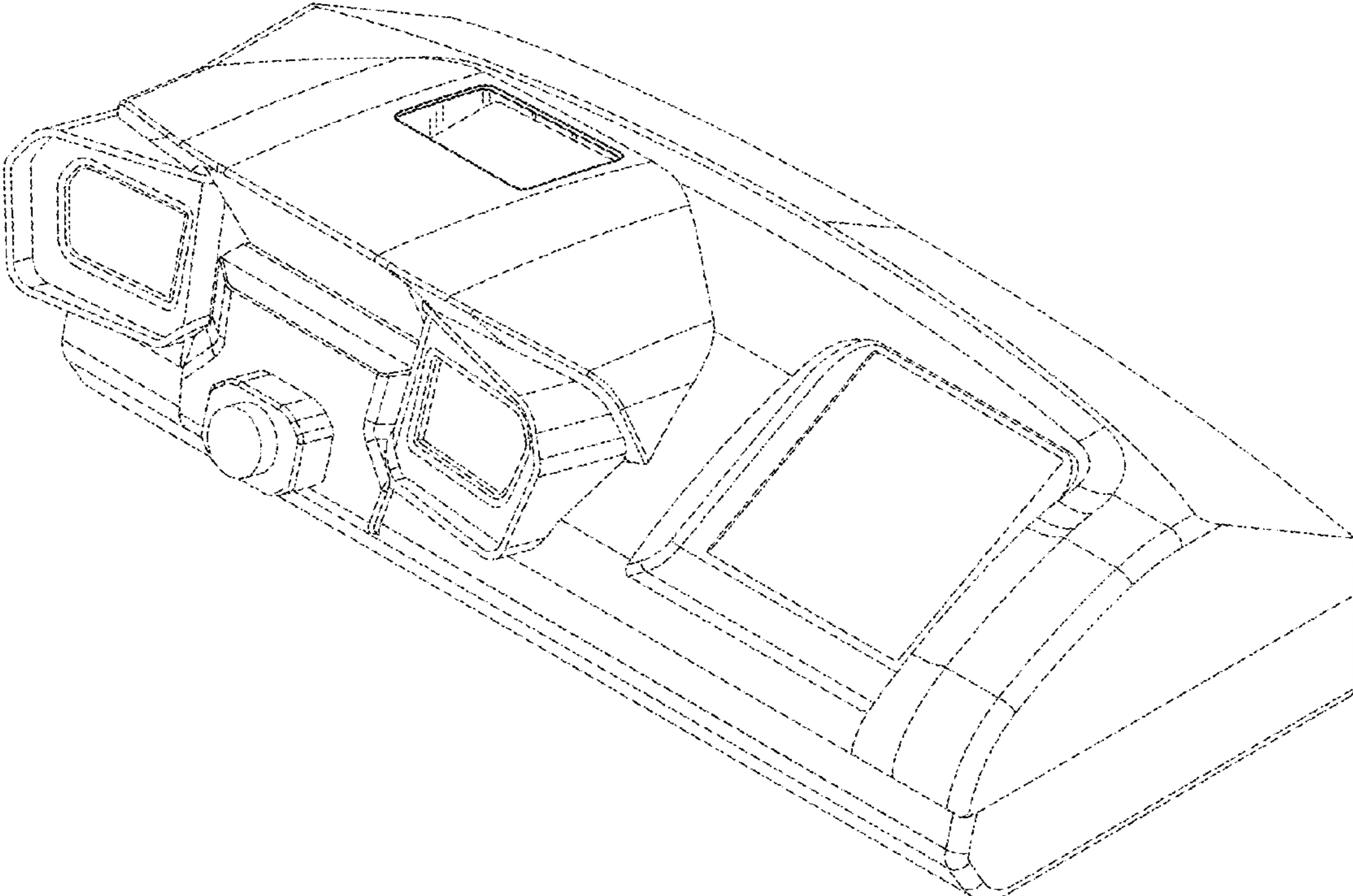


Fig.3



Fig.4

