



US00D734697S

(12) **United States Design Patent**
Hayashi

(10) **Patent No.:** **US D734,697 S**
(45) **Date of Patent:** **** Jul. 21, 2015**

(54) **INSTRUMENT PANEL FOR VEHICLES**

(71) Applicant: **JVC KENWOOD Corporation**,
Yokohama-shi, Kanagawa (JP)

(72) Inventor: **Eiichiro Hayashi**, Yokohama (JP)

(73) Assignee: **JVC KENWOOD CORPORATION**,
Yokohama-Shi, Kanagawa (JP)

(**) Term: **14 Years**

(21) Appl. No.: **29/486,343**

(22) Filed: **Mar. 28, 2014**

(30) **Foreign Application Priority Data**

Dec. 27, 2013 (JP) 2013-030716

(51) **LOC (10) Cl.** **12-16**

(52) **U.S. Cl.**
USPC **D12/192**

(58) **Field of Classification Search**
USPC D12/192, 415, 110, 114; 180/90;
280/750-752; 296/190.01-190.09,
296/191, 170; D15/17, 28; D10/46, 98,
D10/102-103, 122-127

See application file for complete search history.

(56) **References Cited**

U.S. PATENT DOCUMENTS

D697,849 S * 1/2014 Tanaka et al. D12/192
D699,171 S * 2/2014 Matsuo D12/192

D704,608 S * 5/2014 Kanda et al. D12/192
D705,142 S * 5/2014 Yamamoto et al. D12/192
D705,143 S * 5/2014 Kawashima et al. D12/192
D705,144 S * 5/2014 Ishikawa et al. D12/192
D705,145 S * 5/2014 Mangan et al. D12/192
D705,711 S * 5/2014 Yamamoto D12/192

* cited by examiner

Primary Examiner — Katrina A Betton

(74) *Attorney, Agent, or Firm* — Nath, Goldberg & Meyer;
Jerald L. Meyer

(57) **CLAIM**

The ornamental design for an instrument panel for vehicles,
as shown and described.

DESCRIPTION

FIG. 1 is a left-side front perspective view of instrument panel
for vehicles showing our new design;
FIG. 2 is a right-side front perspective view thereof;
FIG. 3 is a top plan view thereof;
FIG. 4 is a front view thereof;
FIG. 5 is an enlarged view of a portion defined by line 5 shown
in FIG. 4; and,
FIG. 6 is an enlarged view of a portion defined by line 6 shown
in FIG. 4.

The broken lines shown are included for the purpose of illus-
trating the unclaimed portions of the article and form no part
of the claim. The dot-dash lines indicate the boundary
between the claimed portion and unclaimed portion.

1 Claim, 3 Drawing Sheets

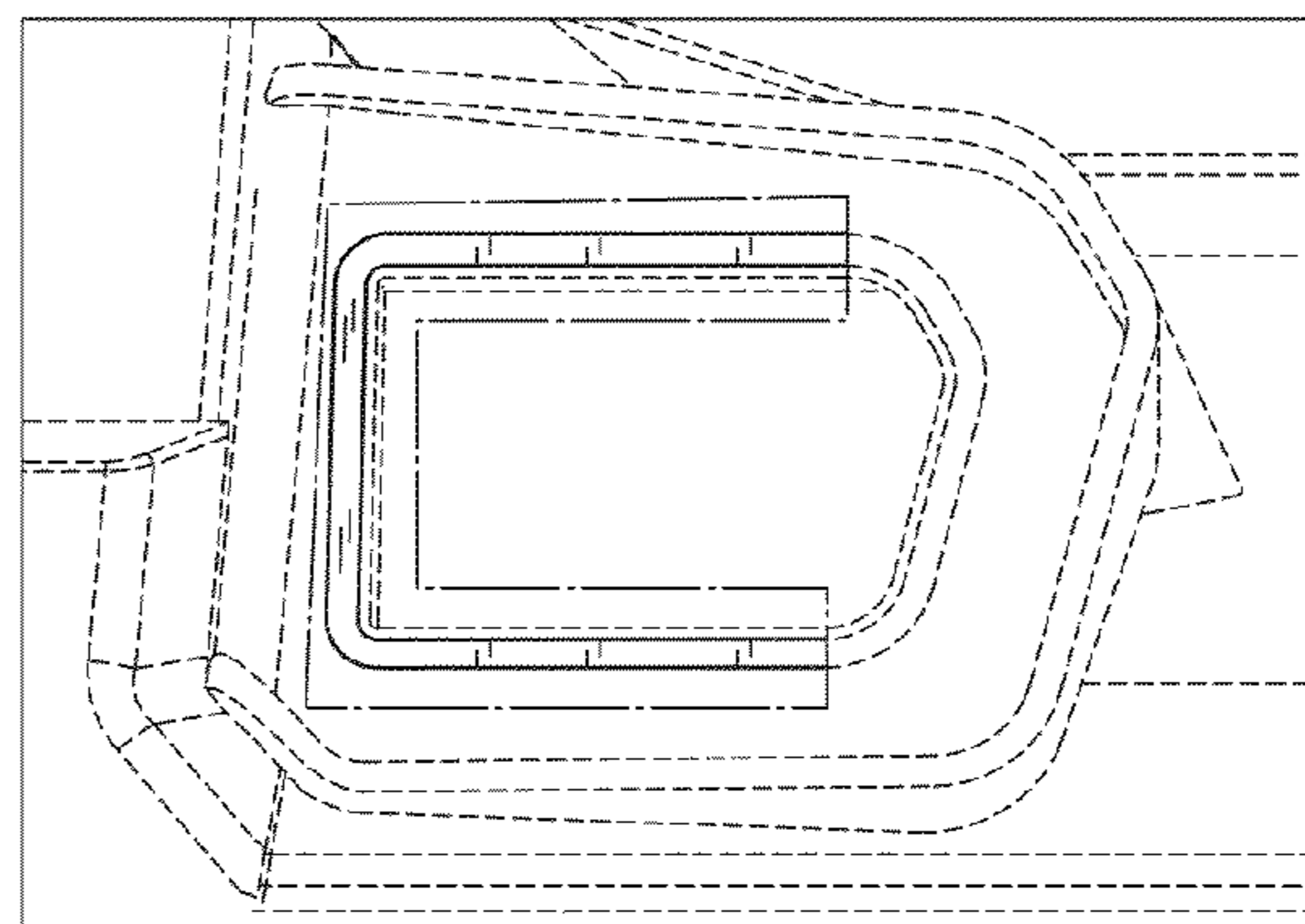
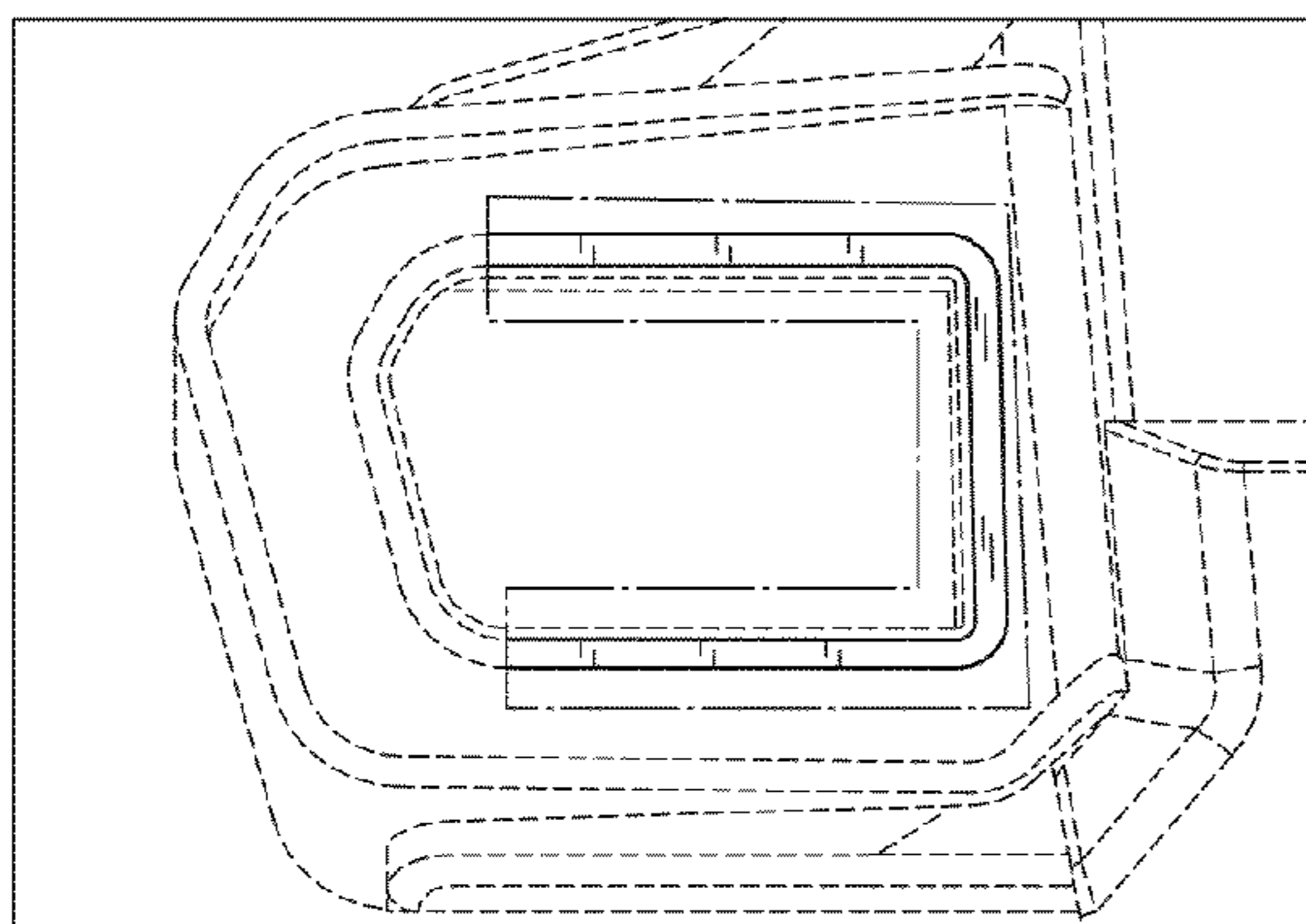


Fig.1

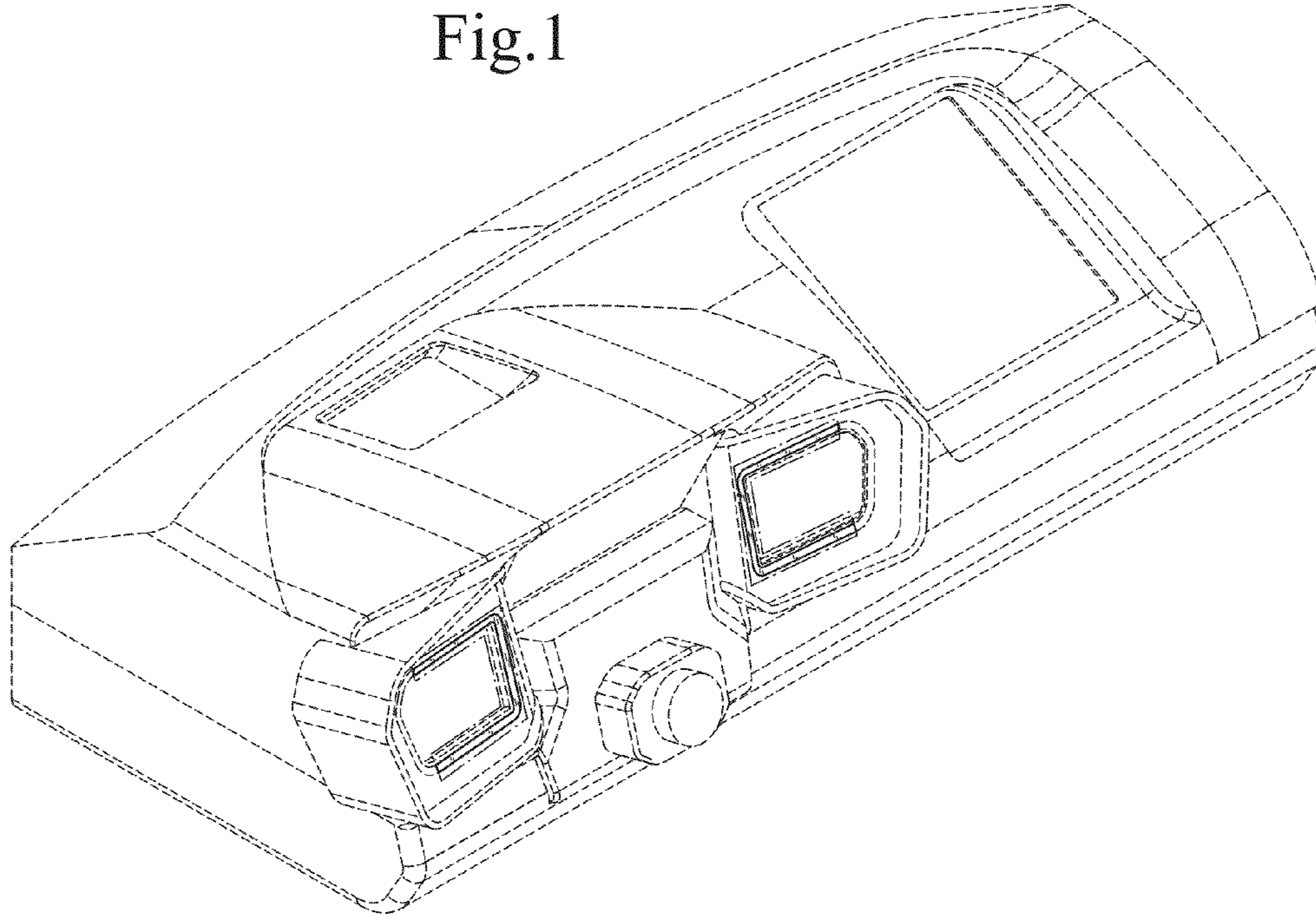


Fig.2

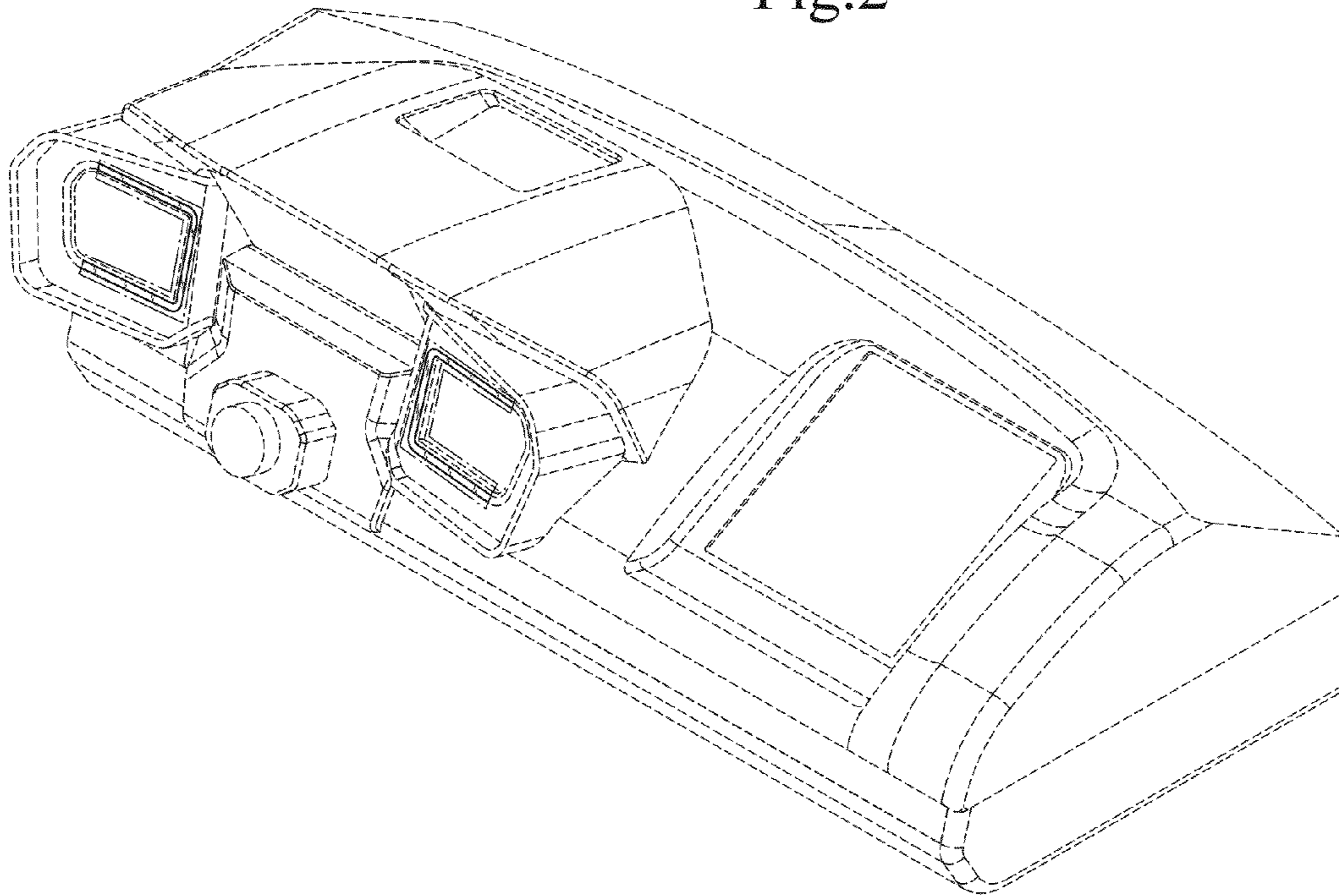


Fig.3

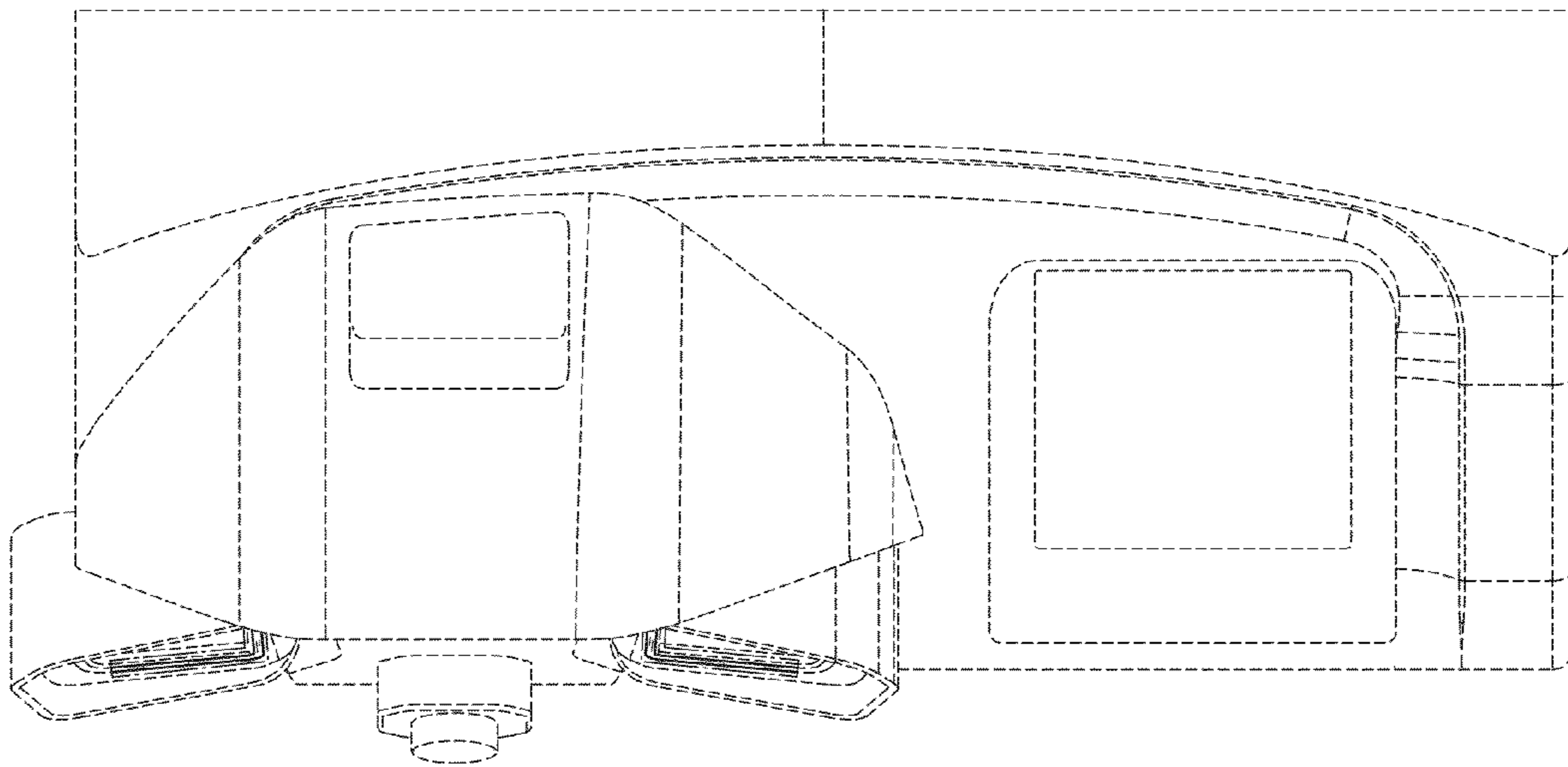


Fig.4

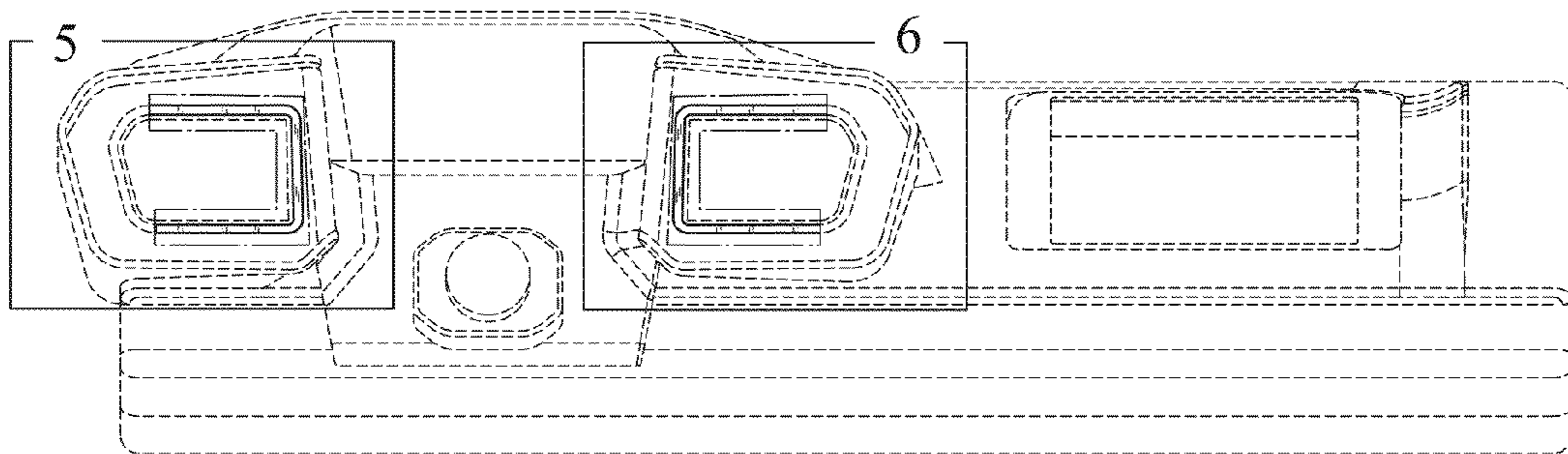


Fig.5

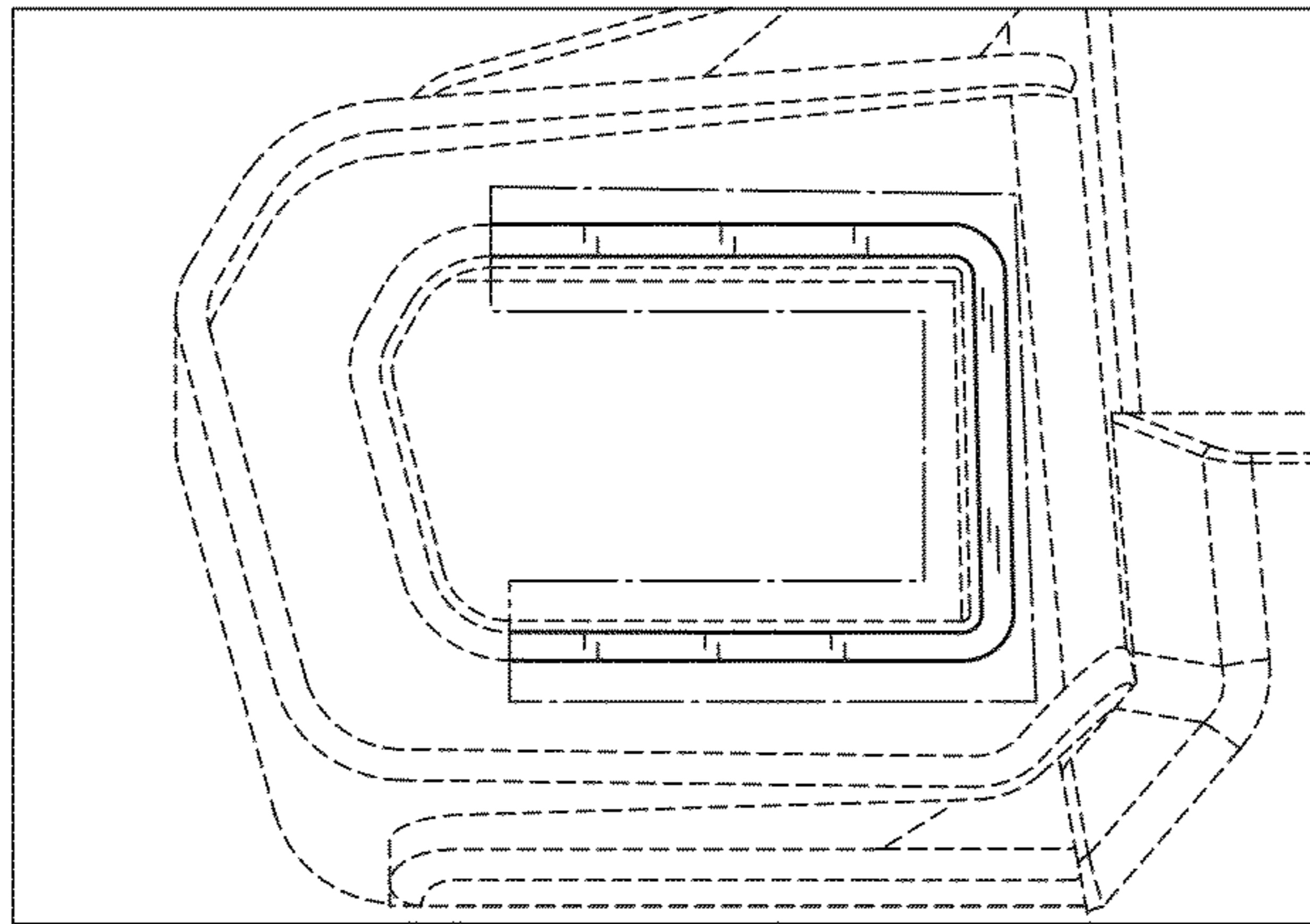


Fig.6

