



US00D734696S

(12) **United States Design Patent**
Schanz et al.

(10) **Patent No.:** **US D734,696 S**
(45) **Date of Patent:** **** Jul. 21, 2015**

(54) **BRAKE LEVER**

(71) Applicant: **Touratech AG**, Niedereschach (DE)

(72) Inventors: **Jochen Schanz**, Niedereschach (DE);
Herbert Schwarz, Niederschach (DE)

(73) Assignee: **TOURATECH AG**, Niedereschach (DE)

(**) Term: **14 Years**

(21) Appl. No.: **29/460,603**

(22) Filed: **Jul. 12, 2013**

(30) **Foreign Application Priority Data**

Jan. 14, 2013 (EP) 001357289 0001

(51) **LOC (10) Cl.** **12-16**

(52) **U.S. Cl.**
USPC **D12/179**

(58) **Field of Classification Search**
USPC D12/179, 114, 125; 280/291, 163,
280/288.4; 36/131; 180/219, 271, 560,
180/594.1; 70/233, 33; 188/344, 18 A;
303/9.64; 92/161.5, 163; 74/512, 564,
74/473.16, 531, 560, 594.6, 600; 296/75;
297/423.42

CPC G05G 1/405; G05G 1/30; B60T 7/06;
B60T 7/065; B60R 21/09

See application file for complete search history.

(56) **References Cited**

U.S. PATENT DOCUMENTS

4,009,623 A * 3/1977 Smith et al. 74/512
4,083,263 A * 4/1978 Lundquist 74/473.16

5,476,162 A * 12/1995 Reed et al. 188/344
D401,535 S * 11/1998 Joseph, Jr. D12/114
6,390,488 B1 * 5/2002 Wallingsford 280/291
D488,407 S * 4/2004 Wright D12/125
D489,295 S * 5/2004 Wright D12/114
D498,442 S * 11/2004 James D12/114
D499,056 S * 11/2004 James D12/179
7,028,818 B1 * 4/2006 James 188/344
D565,486 S * 4/2008 James D12/179
2004/0173987 A1 * 9/2004 Chapman et al. 280/163
2005/0263335 A1 * 12/2005 McWhorter 180/219
2006/0112739 A1 * 6/2006 Hogesta 70/33
2006/0144629 A1 * 7/2006 McWhorter 180/219
2007/0057484 A1 * 3/2007 Gilman 280/291
2007/0063479 A1 * 3/2007 Fouhy 280/288.4
2008/0179859 A1 * 7/2008 Boehmke et al. 280/291
2012/0074667 A1 * 3/2012 Matsushima et al. 280/291
2012/0091687 A1 * 4/2012 Crain 280/291
2012/0205888 A1 * 8/2012 Parvey 280/163

* cited by examiner

Primary Examiner — Robert M Spear

Assistant Examiner — Ryan Harvey

(74) *Attorney, Agent, or Firm* — Tarolli, Sundheim, Covell
& Tummino LLP

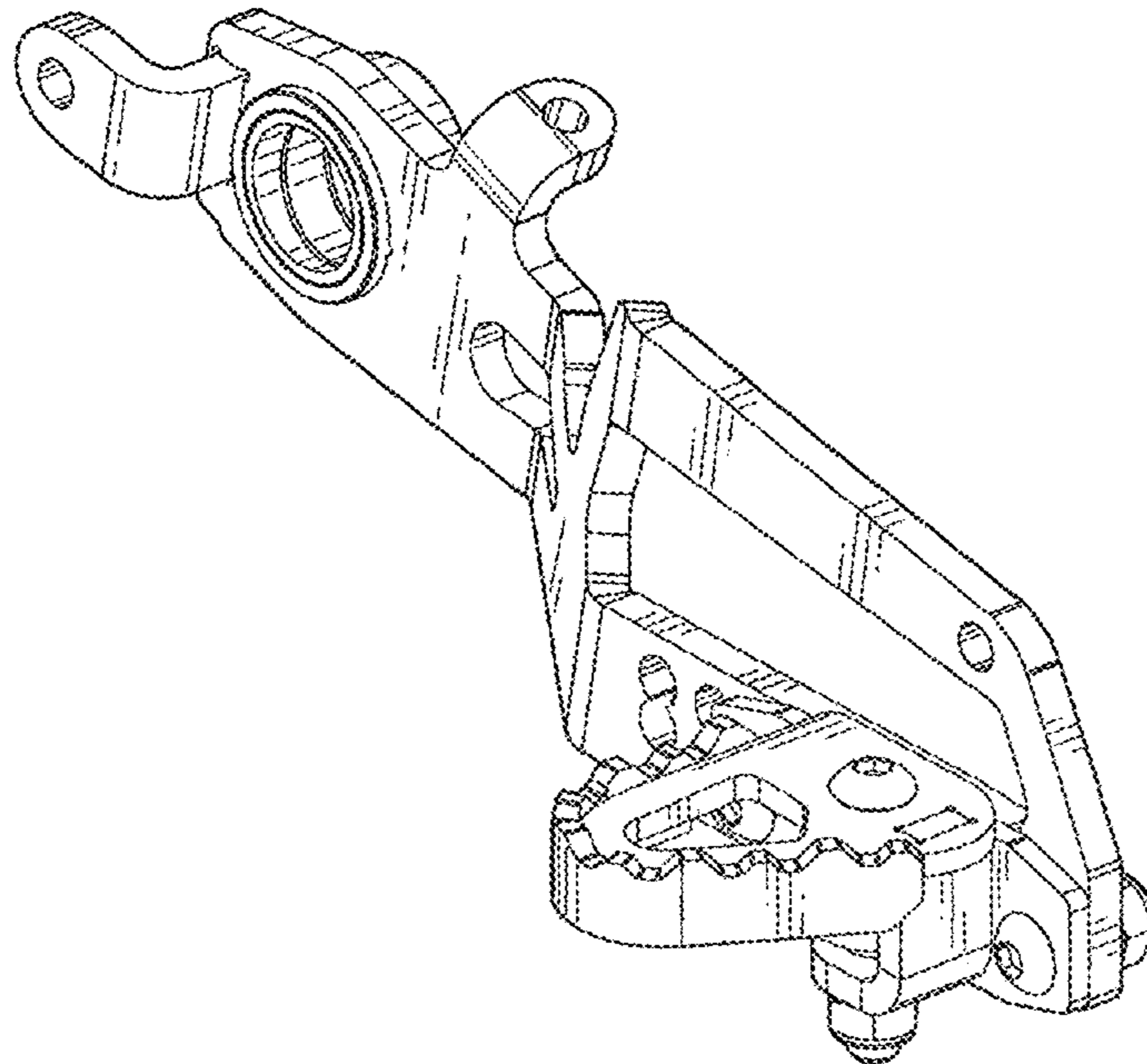
(57) **CLAIM**

We claim the ornamental design for a brake lever, as shown
and described.

DESCRIPTION

FIG. 1 is a perspective top view of the brake lever;
FIG. 2 is a top view of the design;
FIG. 3 is a side elevation view of the design;
FIG. 4 is a perspective bottom view of the design; and,
FIG. 5 is a front view of the design.

1 Claim, 5 Drawing Sheets



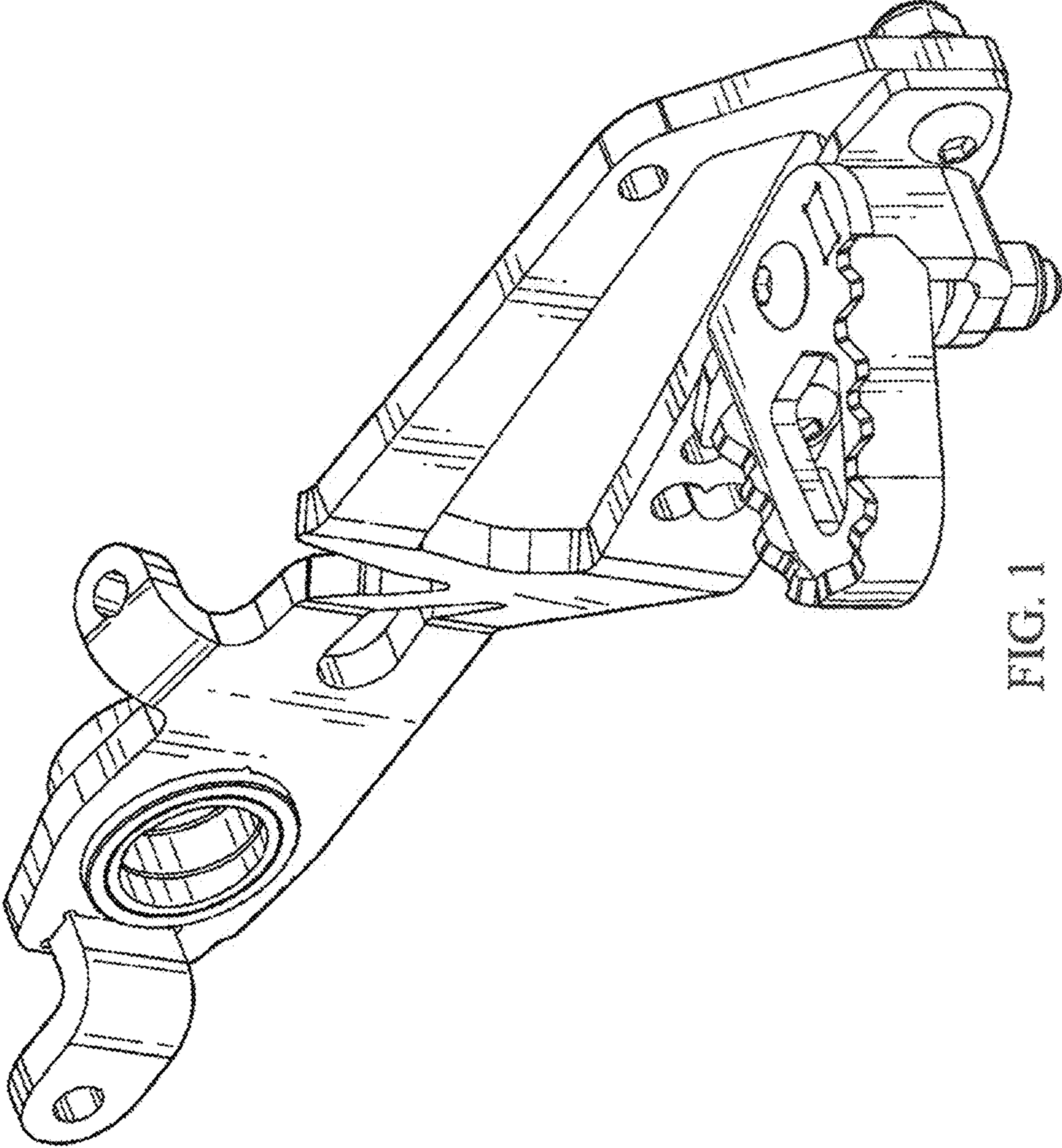


FIG. 1

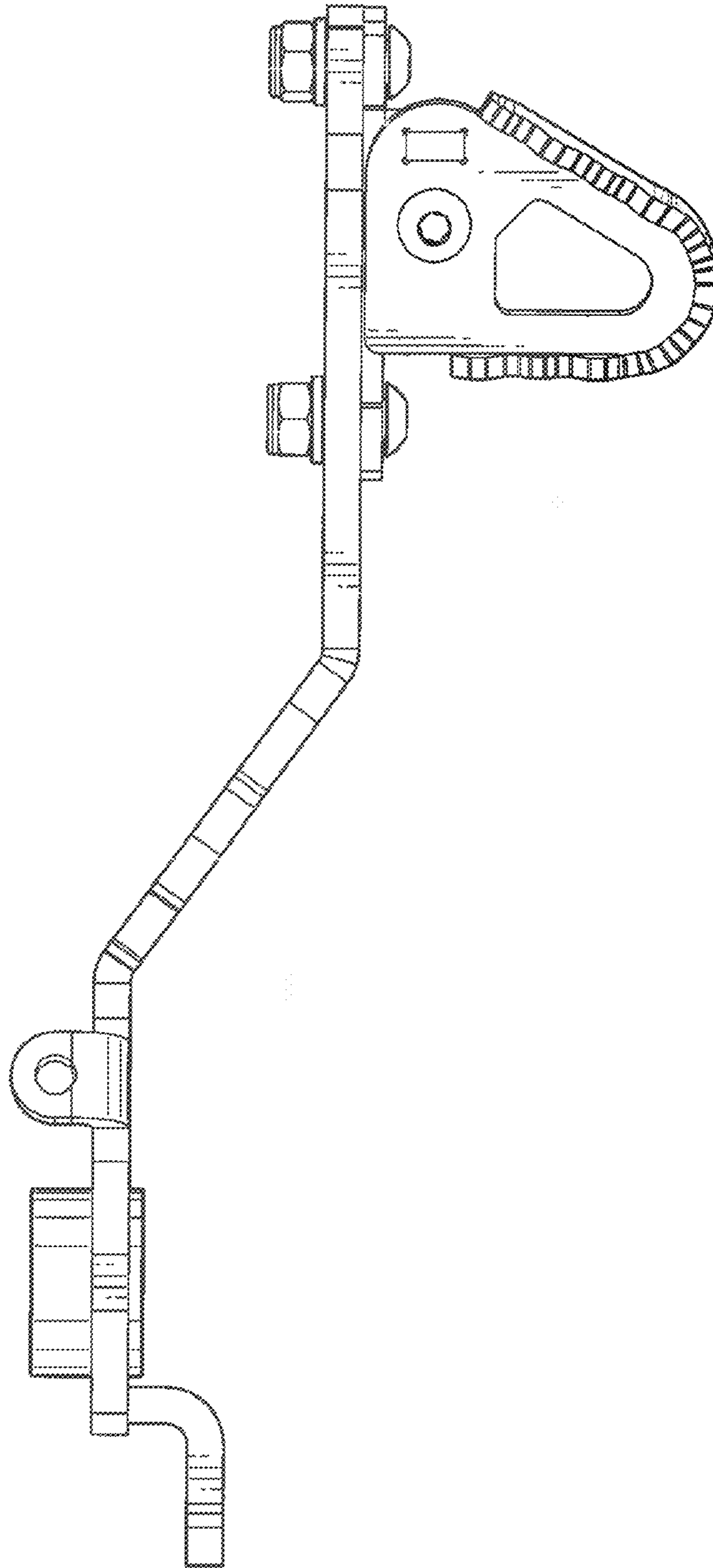


FIG. 2

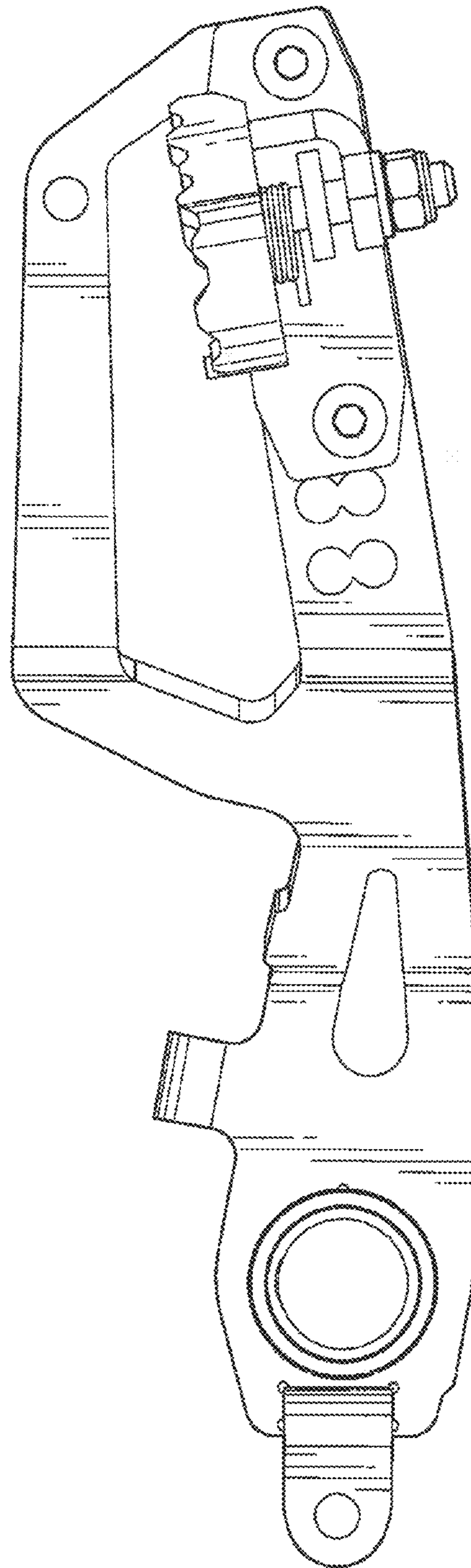


FIG. 3

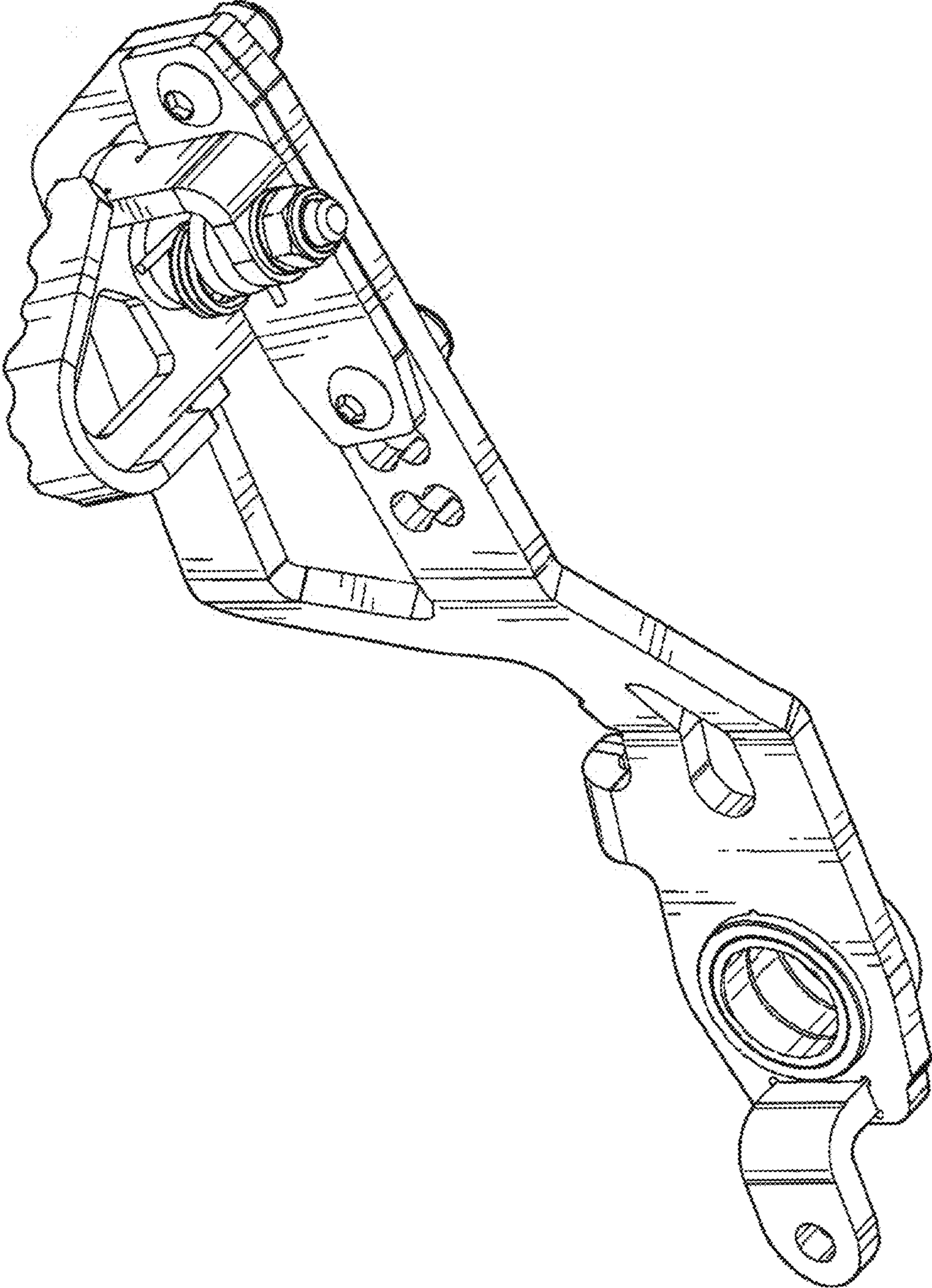


FIG. 4

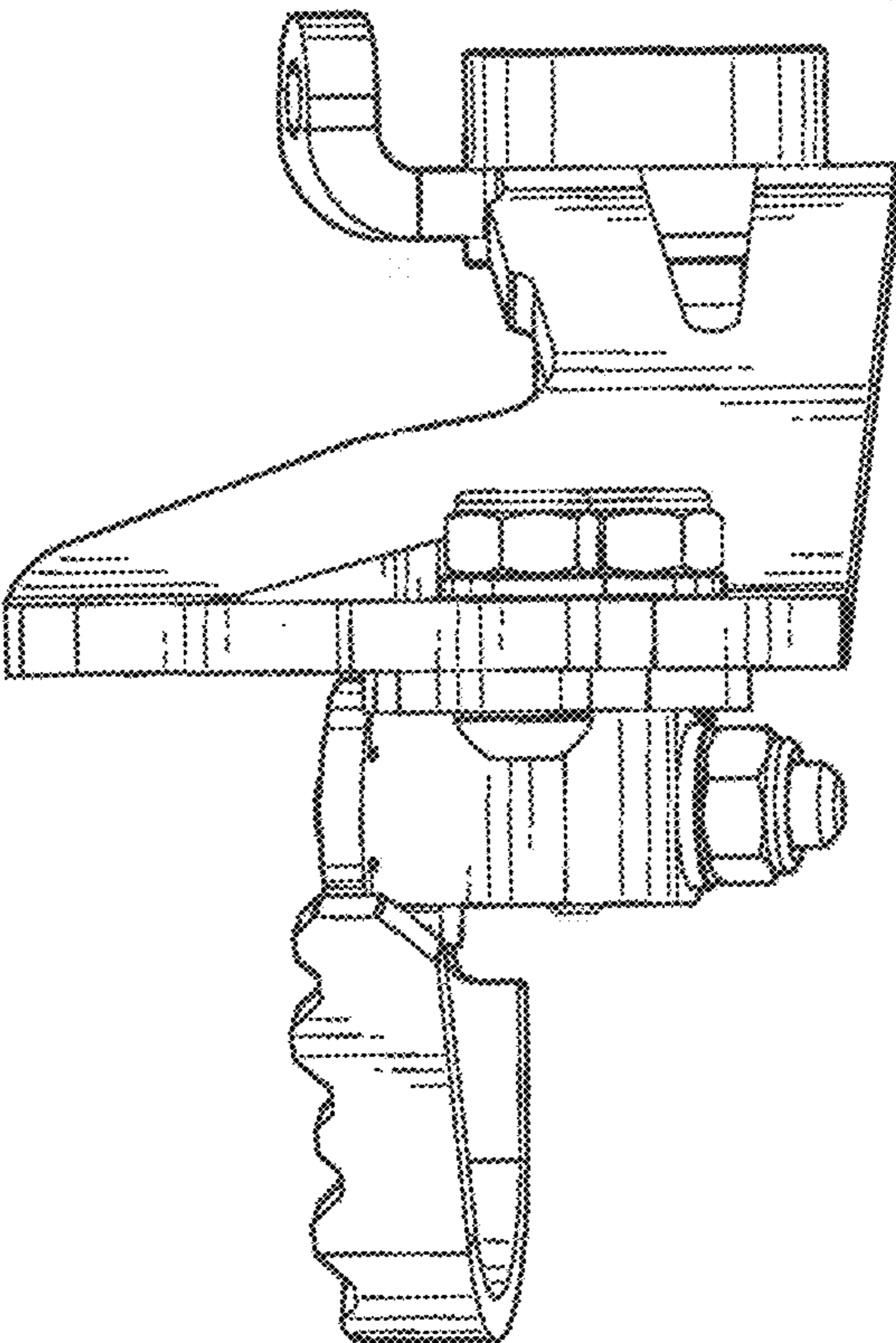


FIG. 5