



US00D734695S

(12) **United States Design Patent**
Wiedeman et al.

(10) **Patent No.:** **US D734,695 S**
(45) **Date of Patent:** **** Jul. 21, 2015**

- (54) **STEERING WHEEL**
- (71) Applicant: **HONDA MOTOR CO., LTD.**, Tokyo (JP)
- (72) Inventors: **Michael Wiedeman**, Rancho Palos Verdes, CA (US); **Walter Ma**, Los Angeles, CA (US)
- (73) Assignee: **HONDA MOTOR CO., LTD.**, Tokyo (JP)
- (**) Term: **14 Years**
- (21) Appl. No.: **29/488,154**
- (22) Filed: **Apr. 16, 2014**
- (51) **LOC (10) Cl.** **12-16**
- (52) **U.S. Cl.**
USPC **D12/176**
- (58) **Field of Classification Search**
USPC D12/175, 176; 74/552, 558, 558.5
CPC B60R 21/203; B60R 21/05; B62D 1/04
See application file for complete search history.

D583,735 S *	12/2008	Wyszogrod et al.	D12/176
D593,010 S *	5/2009	Yamazaki	D12/176
D600,612 S *	9/2009	Hwang et al.	D12/176
D620,853 S *	8/2010	Wiedeman et al.	D12/176
D630,983 S *	1/2011	Frank et al.	D12/176
D640,619 S *	6/2011	Araki et al.	D12/176
D649,095 S *	11/2011	Frank et al.	D12/176
D651,542 S *	1/2012	Nagasawa et al.	D12/176
D653,180 S *	1/2012	Tanaka et al.	D12/176
D710,271 S *	8/2014	Norman et al.	D12/176

* cited by examiner

Primary Examiner — Melody Brown

(74) *Attorney, Agent, or Firm* — Westerman, Hattori, Daniels & Adrian, LLP

(57) **CLAIM**

The ornamental design for a steering wheel, as shown and described.

DESCRIPTION

FIG. 1 is a perspective view of a steering wheel showing our new design;
 FIG. 2 is a front elevational view thereof;
 FIG. 3 is a rear elevational view thereof;
 FIG. 4 is a left side elevational view thereof;
 FIG. 5 is a right side elevational view thereof;
 FIG. 6 is a top plan view thereof; and,
 FIG. 7 is a bottom plan view thereof.

The broken lines illustrate environmental structure only and form no part of the claimed design.

1 Claim, 7 Drawing Sheets

- (56) **References Cited**
U.S. PATENT DOCUMENTS
- | | | | |
|---------------|--------|--------------------|-----------|
| 5,219,415 A * | 6/1993 | Weinstein | 200/61.54 |
| 5,706,707 A * | 1/1998 | Sanders | 74/552 |
| D536,288 S * | 2/2007 | Norman et al. | D12/176 |
| D570,268 S * | 6/2008 | Schowalter | D12/176 |





FIG. 1



FIG. 2



FIG. 3

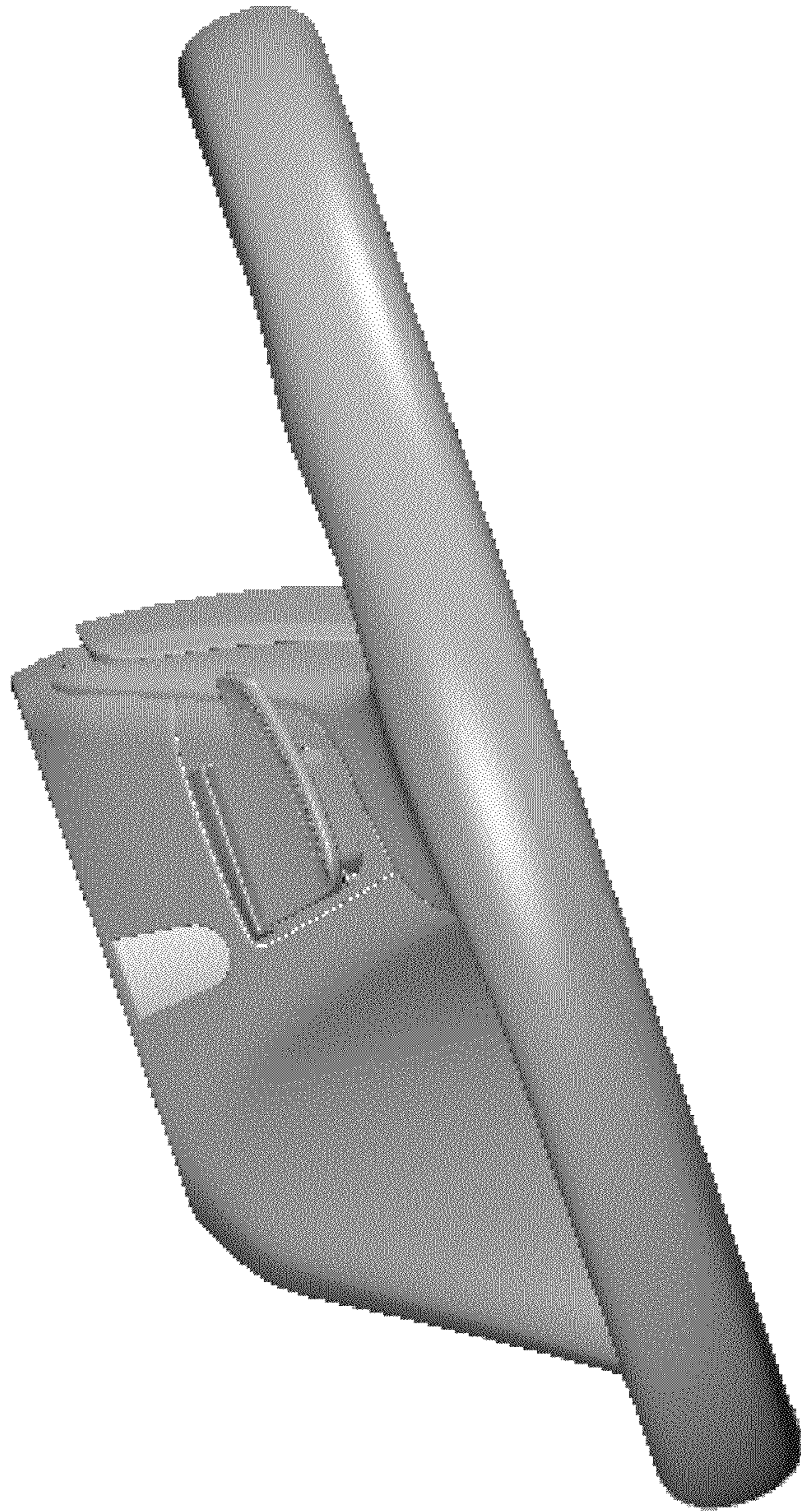


FIG. 4

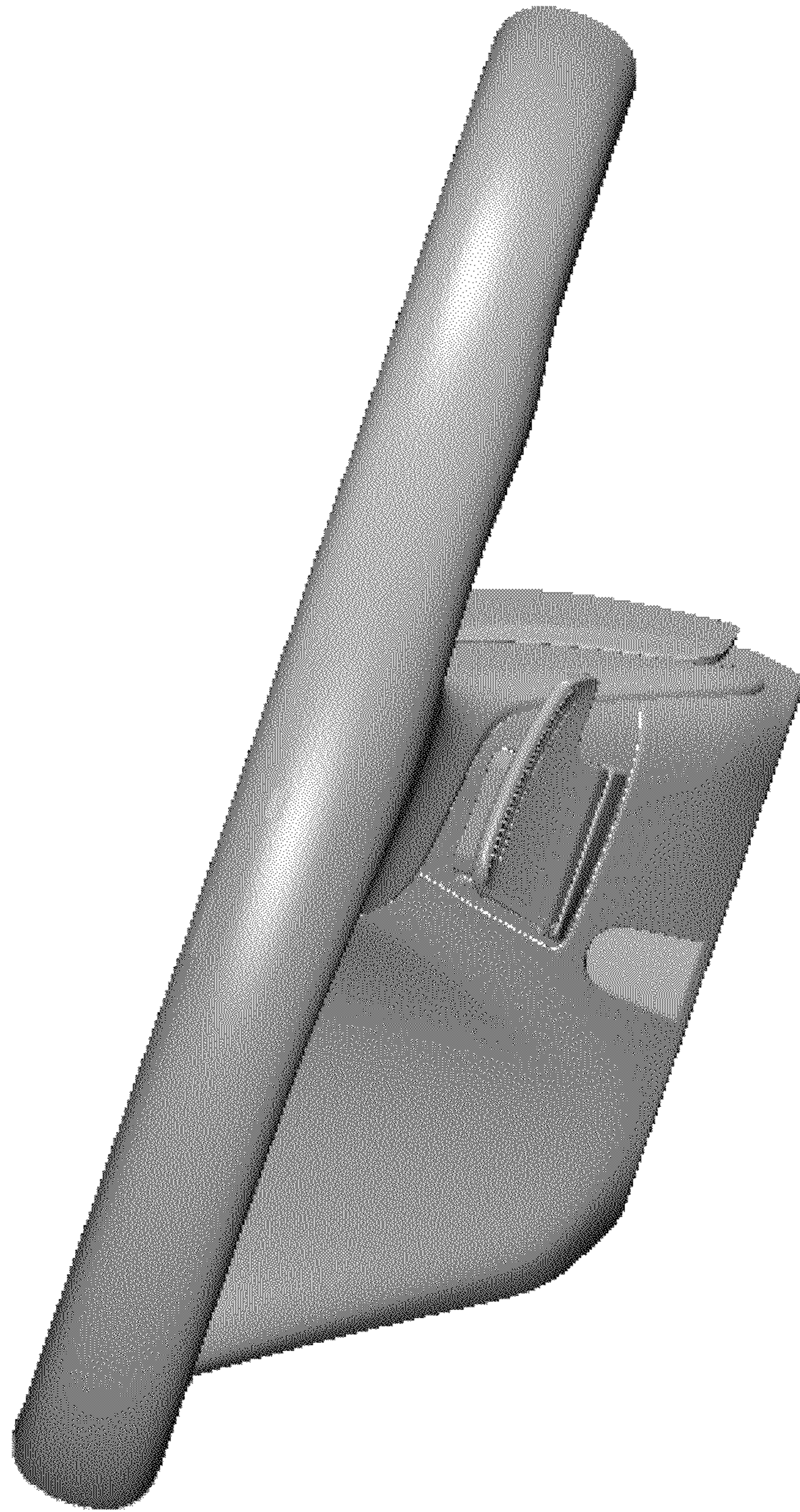


FIG. 5

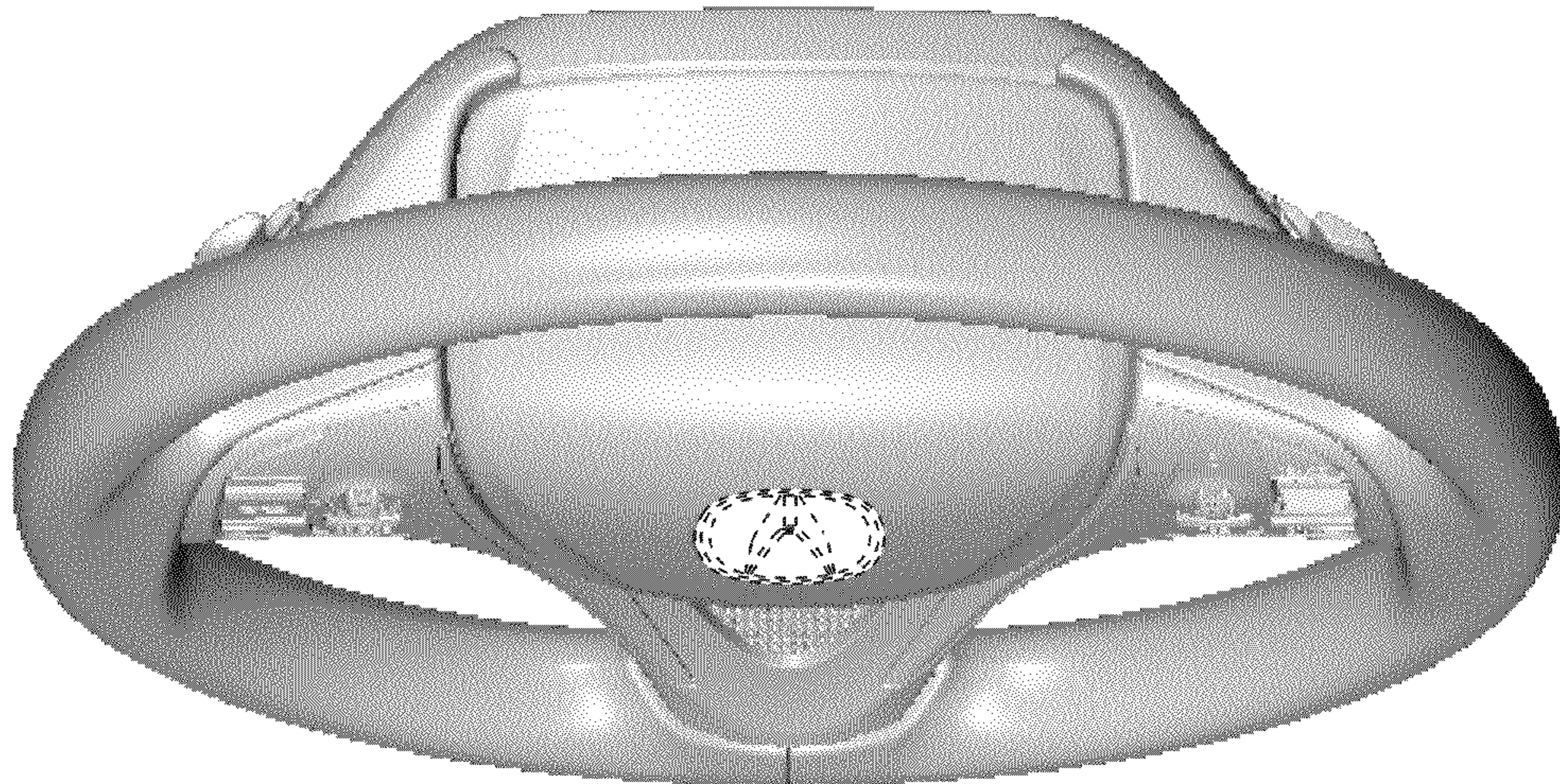


FIG. 6

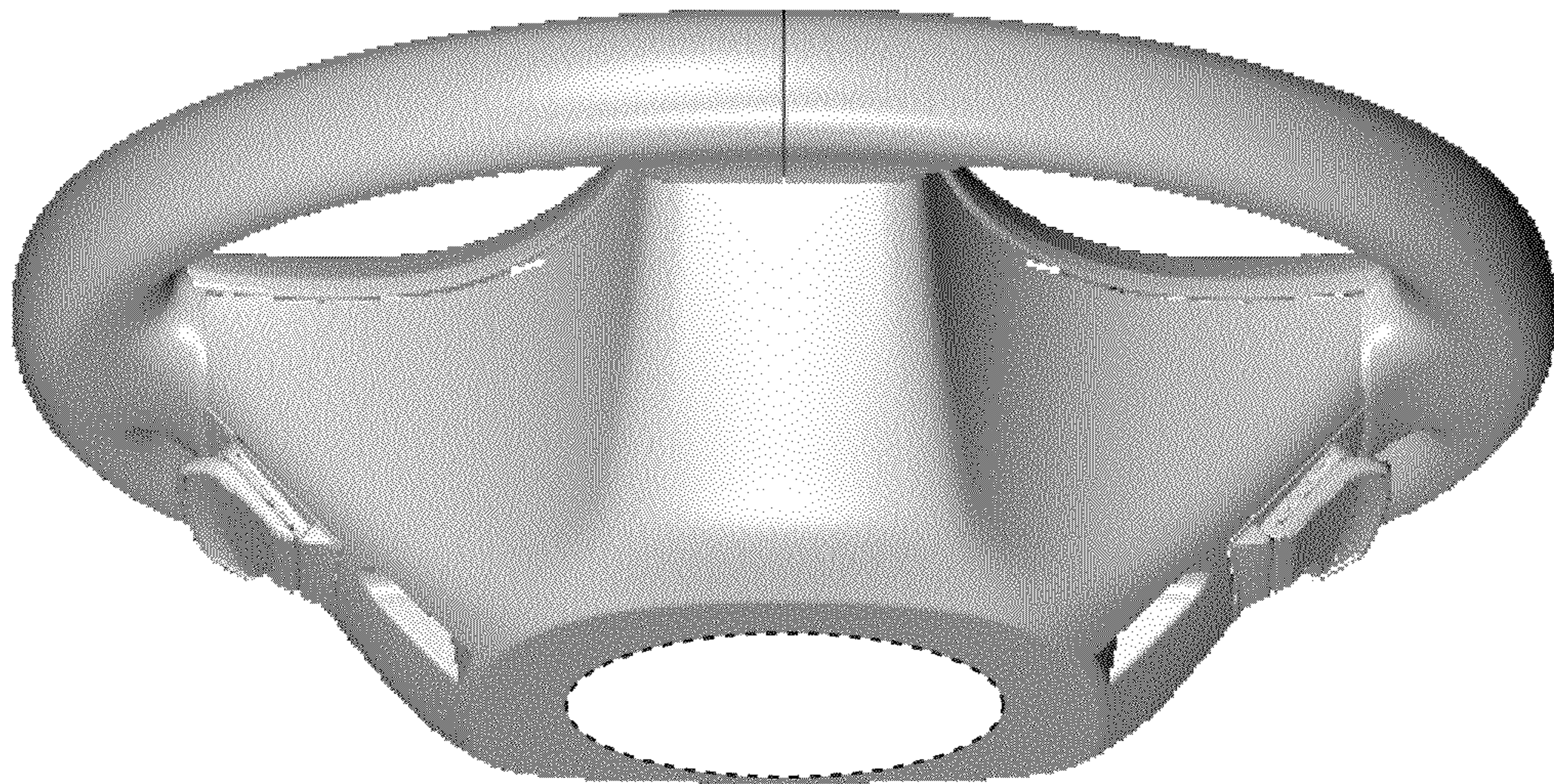


FIG. 7