



US00D734693S

(12) **United States Design Patent**
Koizumi et al.

(10) **Patent No.:** **US D734,693 S**
(45) **Date of Patent:** **** Jul. 21, 2015**

(54) **RADIATOR GRILL FOR AUTOMOBILE**

(71) Applicant: **Nissan Motor Co., Ltd.**, Yokohama,
Kanagawa (JP)

(72) Inventors: **Kenichiro Koizumi**, Tokyo (JP);
Takashi Utsunomiya, Kanagawa (JP);
Kenneth Lee, London (GB)

(73) Assignee: **Nissan Motor Co., Ltd.**, Yokohama (JP)

(**) Term: **14 Years**

(21) Appl. No.: **29/456,178**

(22) Filed: **May 29, 2013**

(30) **Foreign Application Priority Data**

Nov. 29, 2012 (JP) 2012-029239

(51) **LOC (10) Cl.** **12-16**

(52) **U.S. Cl.**
USPC **D12/163**

(58) **Field of Classification Search**
USPC D12/163, 196, 86, 90-92, 171, 169,
D12/216; 180/68.1, 68.6; 293/193.11
CPC B62D 25/08; B62B 9/16; B60K 11/08;
B60R 19/52
See application file for complete search history.

(56) **References Cited**

U.S. PATENT DOCUMENTS

D562,741 S *	2/2008	Matsumoto et al.	D12/163
D565,480 S *	4/2008	McMahan	D12/163
D614,542 S *	4/2010	Kasai et al.	D12/163
D614,543 S *	4/2010	Kitazumi et al.	D12/163
D616,341 S *	5/2010	Fukui et al.	D12/163
D626,464 S *	11/2010	Yanase et al.	D12/163
D629,339 S *	12/2010	Choi et al.	D12/163
D665,314 S *	8/2012	Fukui et al.	D12/163

D682,164 S *	5/2013	Fuchigami	D12/163
D686,117 S *	7/2013	Tase et al.	D12/163
D698,706 S *	2/2014	Tada	D12/163
D700,546 S *	3/2014	Okamoto	D12/163
D702,600 S *	4/2014	Akojima	D12/163

FOREIGN PATENT DOCUMENTS

JP	D1095249 S	1/2001
JP	D1144706 S	6/2002
JP	D1346825 S	12/2008
JP	D1379558 S	2/2010
JP	D1380440 S	2/2010
JP	D1398264 S	10/2010
JP	D1412381 S	4/2012
JP	D1412408 S	4/2012
JP	D1444804 S	6/2012
JP	D1447108 S	7/2012

(Continued)

Primary Examiner — Melody N. Brown

(74) *Attorney, Agent, or Firm* — Global IP Counselors, LLP

(57) **CLAIM**

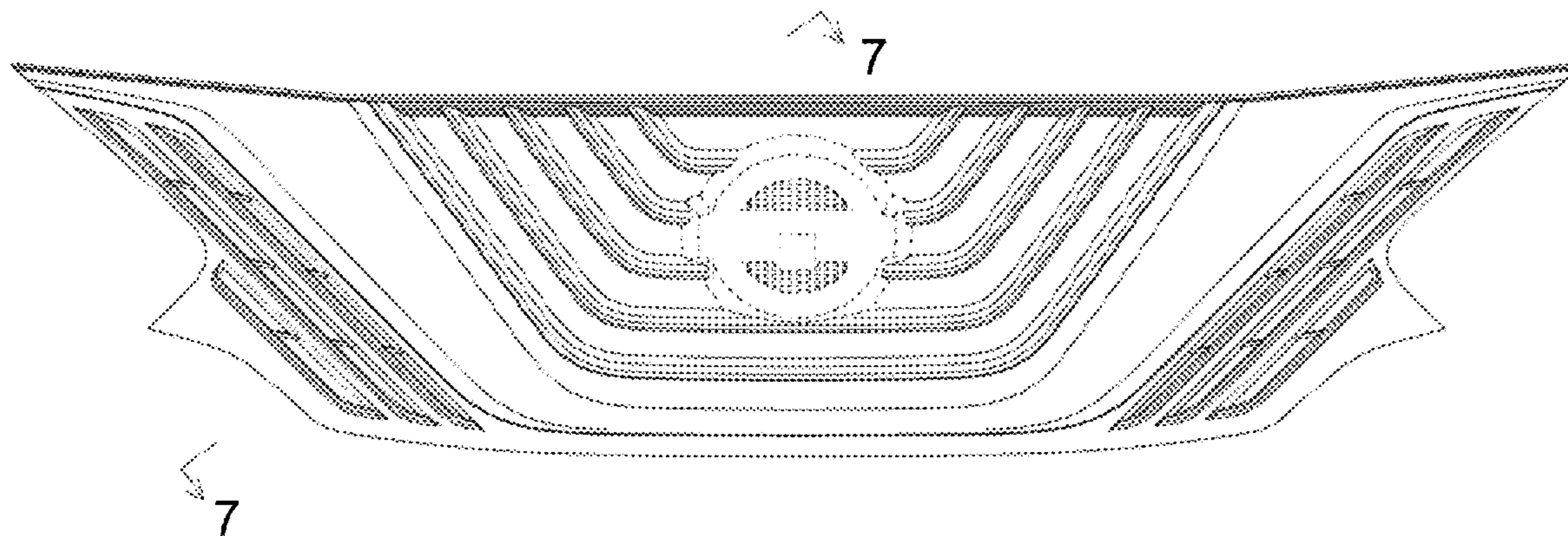
The ornamental design for a radiator grill for an automobile, as shown and described.

DESCRIPTION

FIG. 1 is a front elevational view of a radiator grill for an automobile showing our new design;
FIG. 2 is a top plan view thereof;
FIG. 3 is a bottom plan view thereof;
FIG. 4 is a left side elevational view thereof;
FIG. 5 is a right side elevational view thereof;
FIG. 6 is a front and right side perspective view thereof; and,
FIG. 7 is a cross sectional view thereof taken along line 7-7 in FIG. 1.

The broken line showing of the radiator grill is for purpose of illustrating environmental structure and forms no part of the claimed design. The rear view of the radiator grill forms no part of the claimed design.

1 Claim, 7 Drawing Sheets



(56)

References Cited

FOREIGN PATENT DOCUMENTS

JP D1461050 S 2/2013
JP D1461646 S 2/2013
JP D1461647 S 2/2013

JP D1475446 S 7/2013
JP D1489467 S 2/2014
JP D1499095 S 6/2014
JP D1501242 S 6/2014
JP D1489458 S 2/2015

* cited by examiner

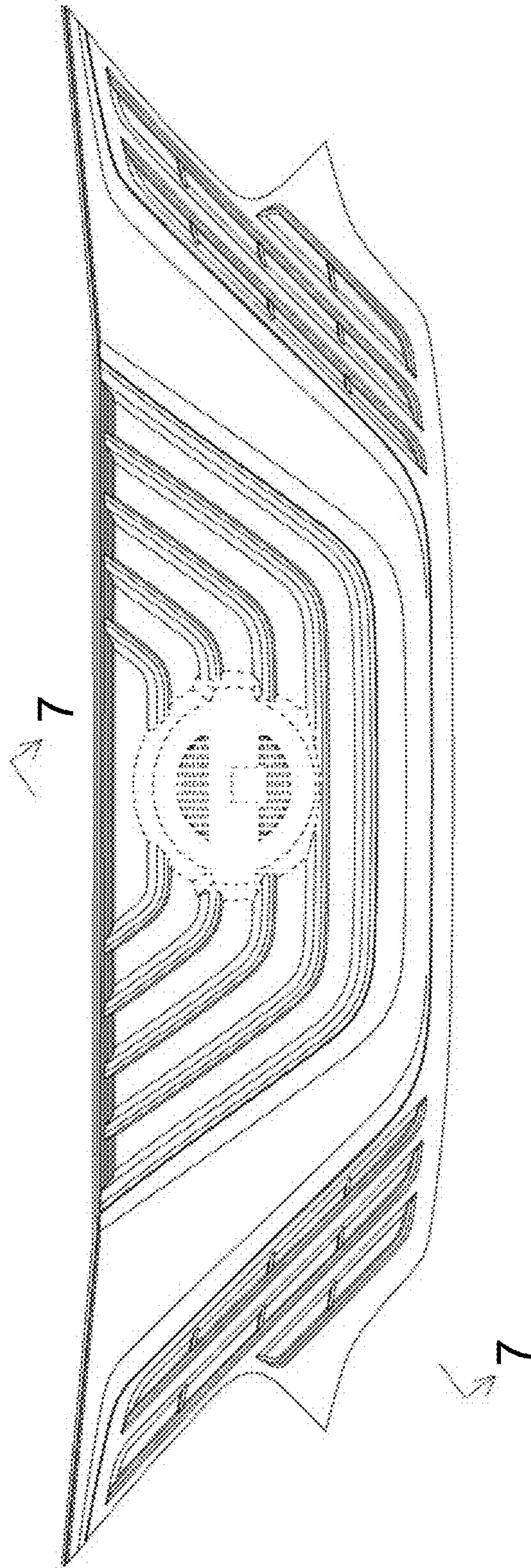


FIG. 1

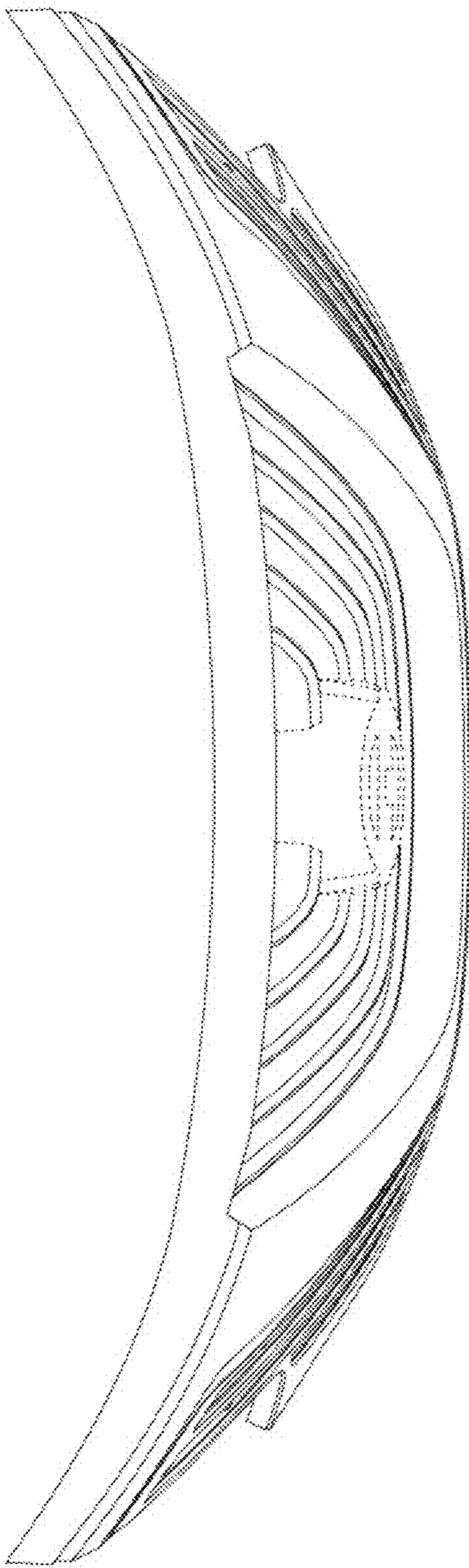


FIG. 2

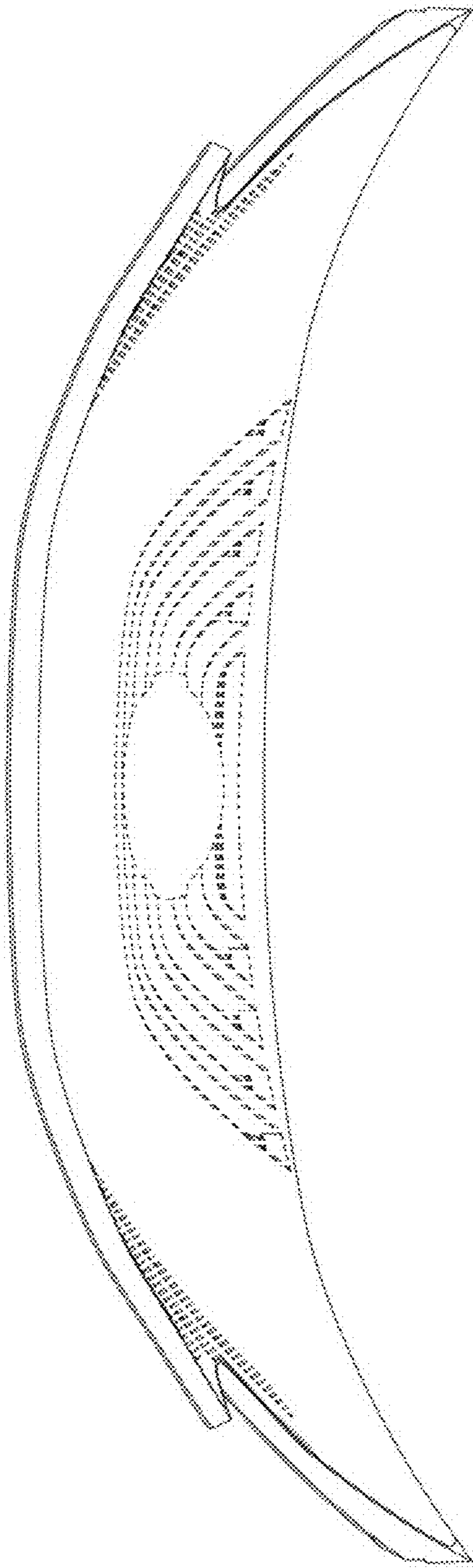


FIG. 3

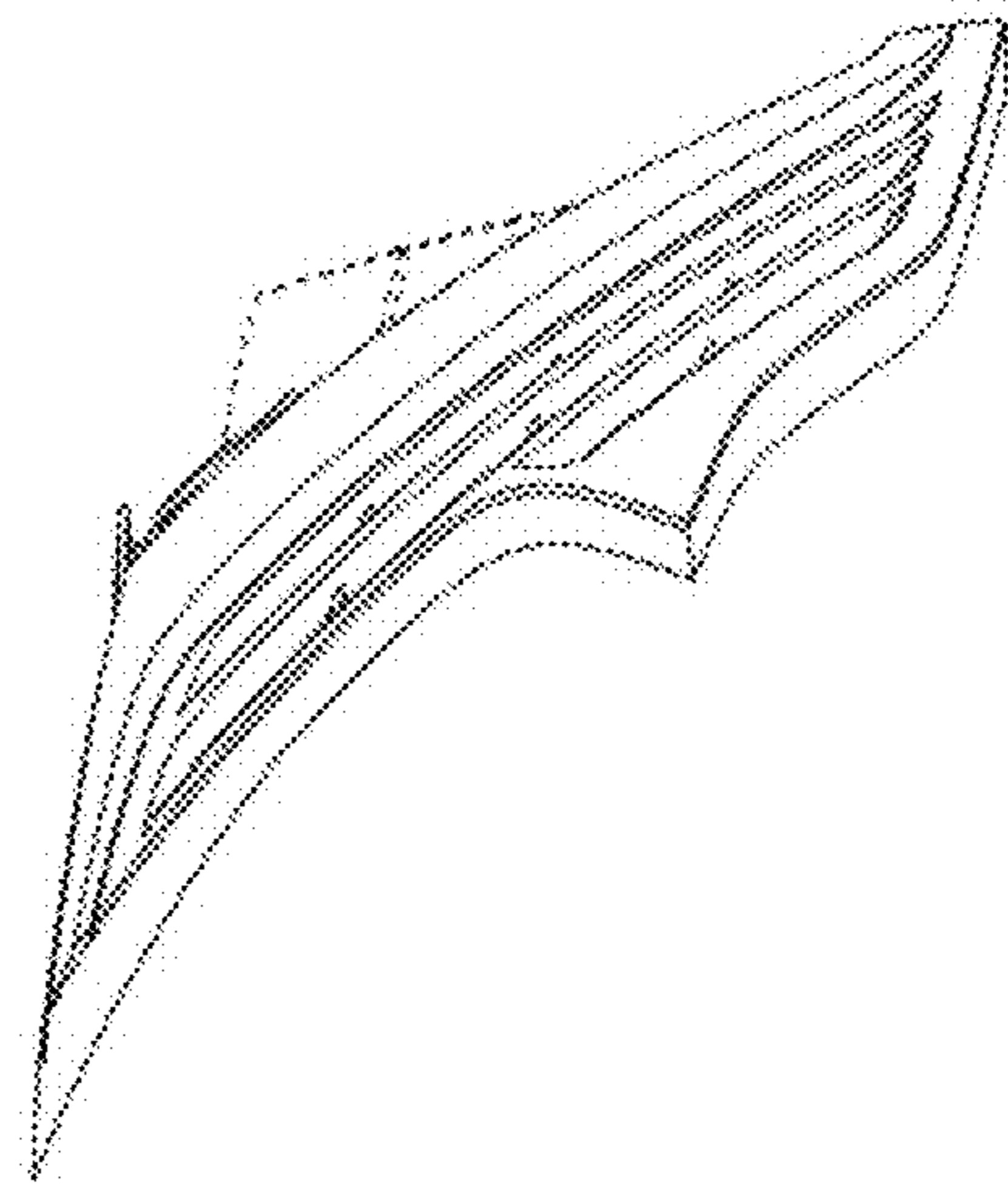


FIG. 4

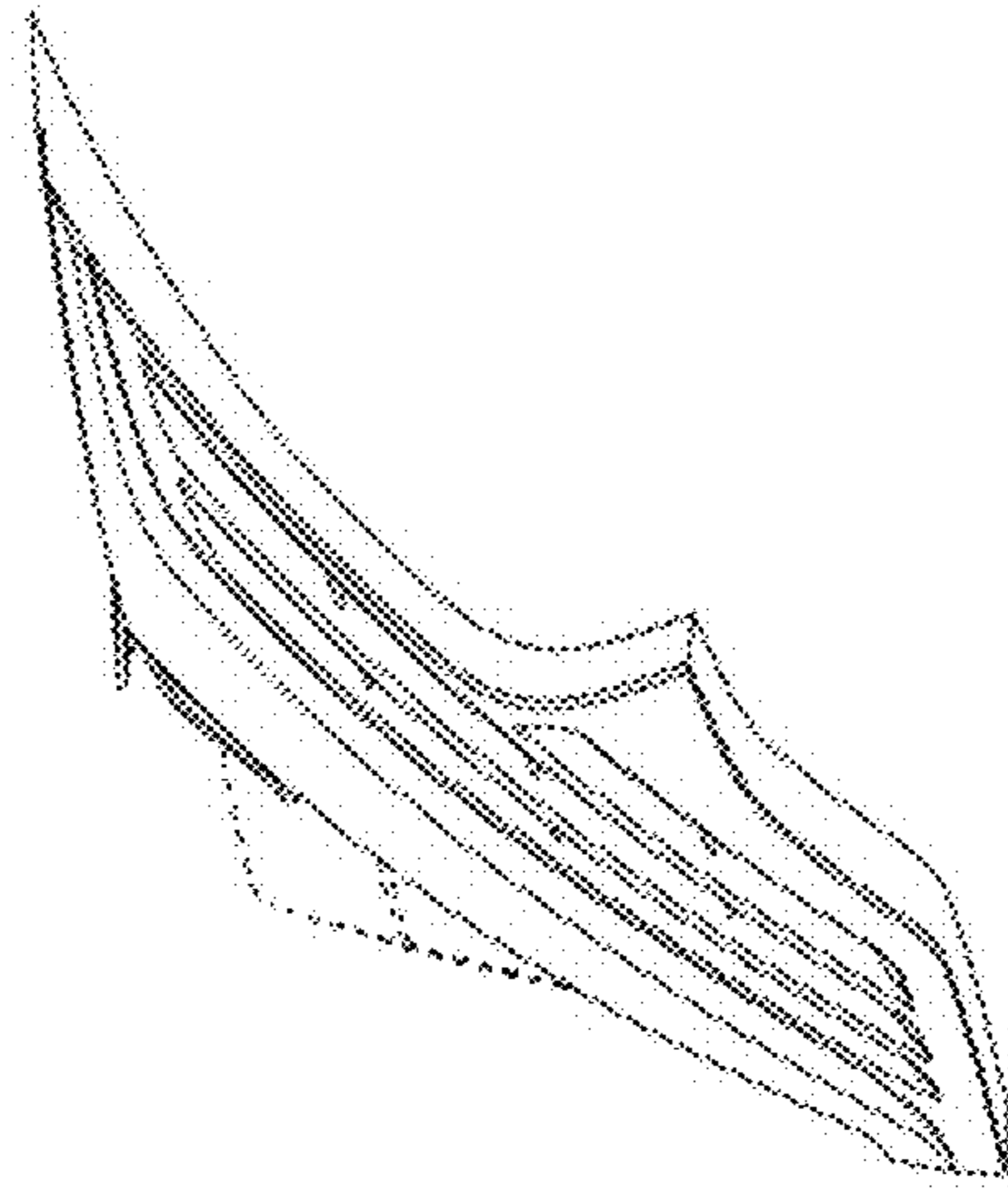


FIG. 5

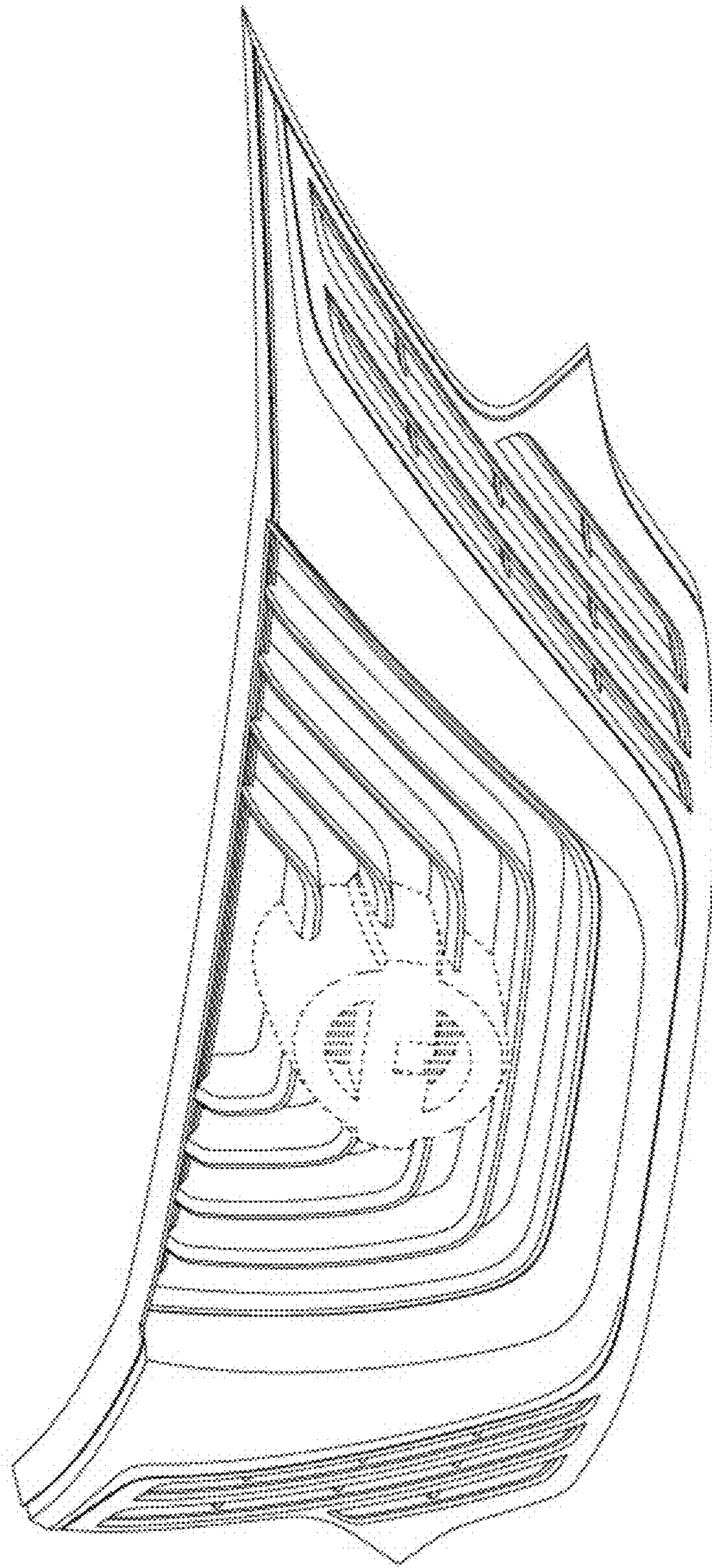


FIG. 6

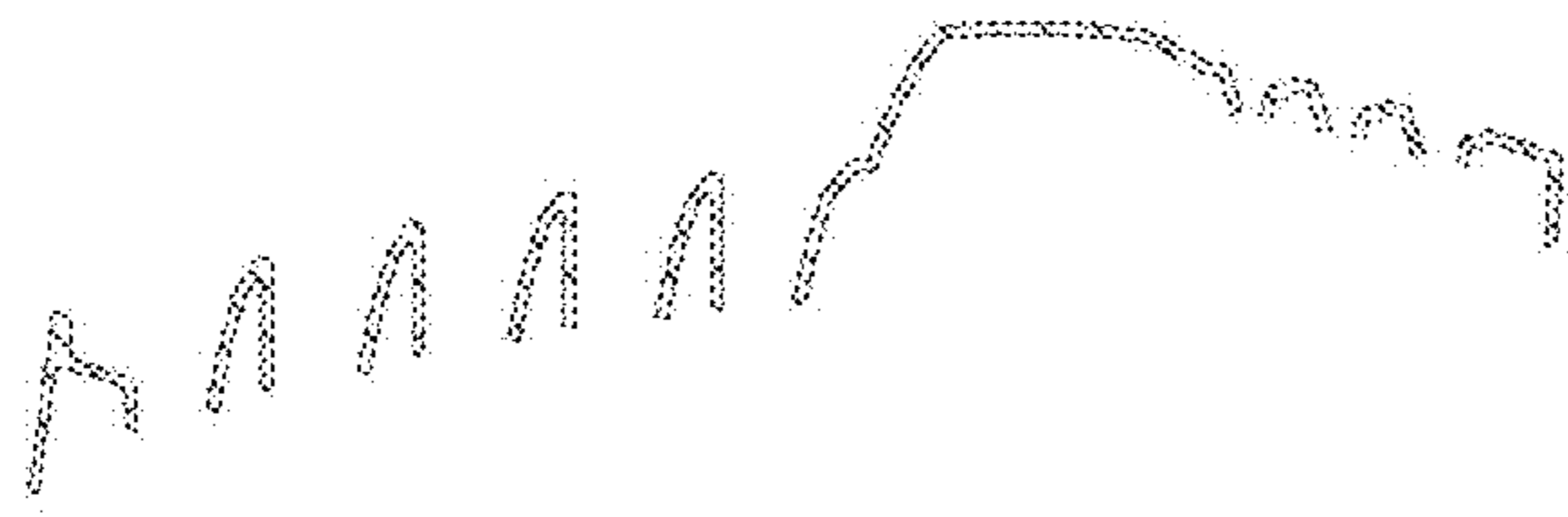


FIG. 7