



US00D734689S

(12) **United States Design Patent**
Hashimoto

(10) **Patent No.:** **US D734,689 S**
(45) **Date of Patent:** **** Jul. 21, 2015**

(54) **FRONT STRUCTURE OF UTILITY VEHICLES**

(71) Applicant: **Kawasaki Jukogyo Kabushiki Kaisha,**
Hyogo (JP)

(72) Inventor: **Naoki Hashimoto,** Kakogawa (JP)

(73) Assignee: **Kawasaki Jukogyo Kabushiki Kaisha,**
Hyogo (JP)

(**) Term: **14 Years**

(21) Appl. No.: **29/474,143**

(22) Filed: **Jun. 16, 2014**

(51) **LOC (10) Cl.** **12-08**

(52) **U.S. Cl.**
USPC **D12/87; D12/14**

(58) **Field of Classification Search**
USPC D12/3, 4, 5, 14, 85, 86, 87, 107, 110;
280/183-185, DIG. 5, 1, 16, 82, 88, 90,
280/14; 180/233, 908
CPC A01B 59/02; A61G 3/08; B62B 5/04;
B62B 13/10; B62B 19/04; B62B 2202/404;
B62C 9/00; B62D 7/22; B62K 5/01; B60K
23/0808

See application file for complete search history.

(56) **References Cited**

U.S. PATENT DOCUMENTS

7,140,670 B2 * 11/2006 Olson 296/190.08
D555,036 S * 11/2007 Eck D12/87
D578,934 S * 10/2008 Tanaka et al. D12/14

D586,694 S * 2/2009 Huang et al. D12/14
D622,631 S * 8/2010 Lai et al. D12/87
D625,662 S * 10/2010 Li D12/87
D631,395 S * 1/2011 Tandrup et al. D12/14
D633,006 S * 2/2011 Sanschagrin et al. D12/1
7,950,486 B2 * 5/2011 Van Bronkhorst
et al. 180/89.11
D699,627 S * 2/2014 Tang D12/14
8,746,719 B2 * 6/2014 Safranski et al. 280/124.148
2012/0031693 A1 * 2/2012 Deckard et al. 180/68.3
2014/0210234 A1 * 7/2014 Ricketts et al. 296/193.03

FOREIGN PATENT DOCUMENTS

JP 2010014008 A * 1/2010 B60K 13/02
JP 2010215165 A * 9/2010 B60K 13/02

* cited by examiner

Primary Examiner — Philip S Hyder
Assistant Examiner — Darlington Ly

(57) **CLAIM**

The ornamental design for a front structure of utility vehicles,
as shown and described.

DESCRIPTION

FIG. 1 is a front elevational view of a front structure of utility vehicles showing my new design;
FIG. 2 is a left side elevational view thereof, the right side view being a mirror image of that shown;
FIG. 3 is a top plan view thereof;
FIG. 4 is a front and left-side isometric view thereof; and,
FIG. 5 is a rear and right-side isometric view thereof.
The broken lines in FIGS. 1 to 5, showing portions of the utility vehicle, form no part of the claimed design.

1 Claim, 5 Drawing Sheets

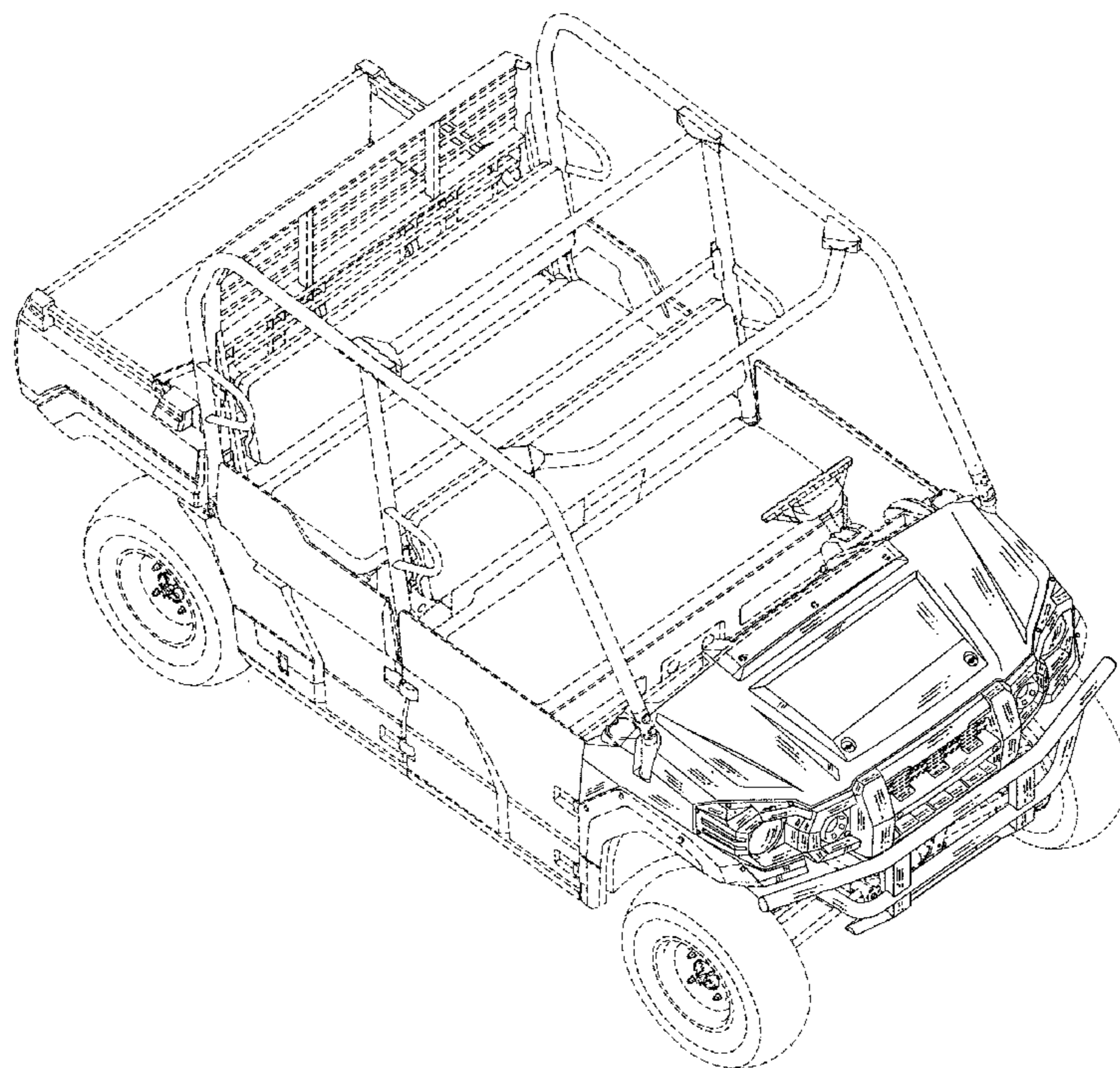
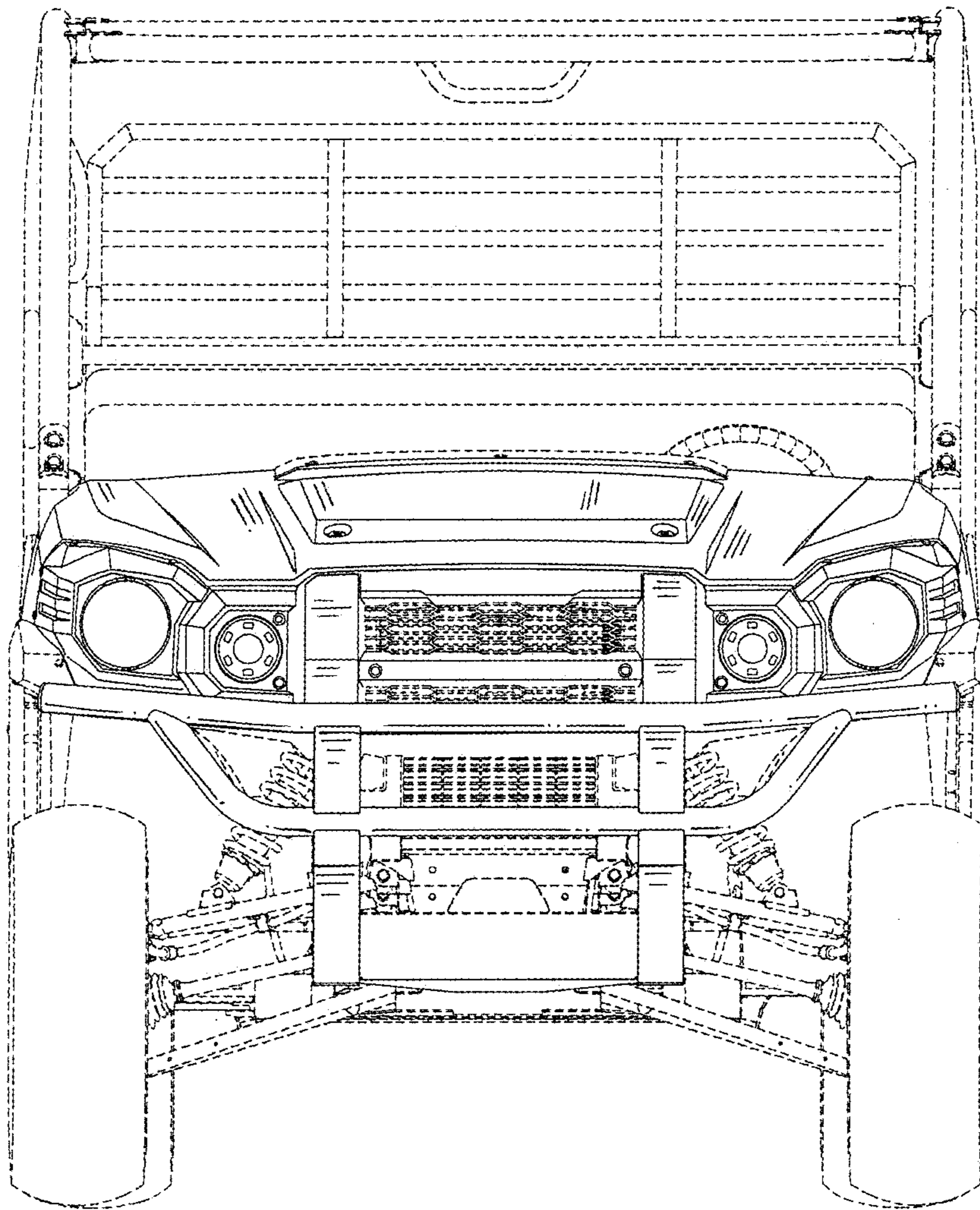


Fig. 1



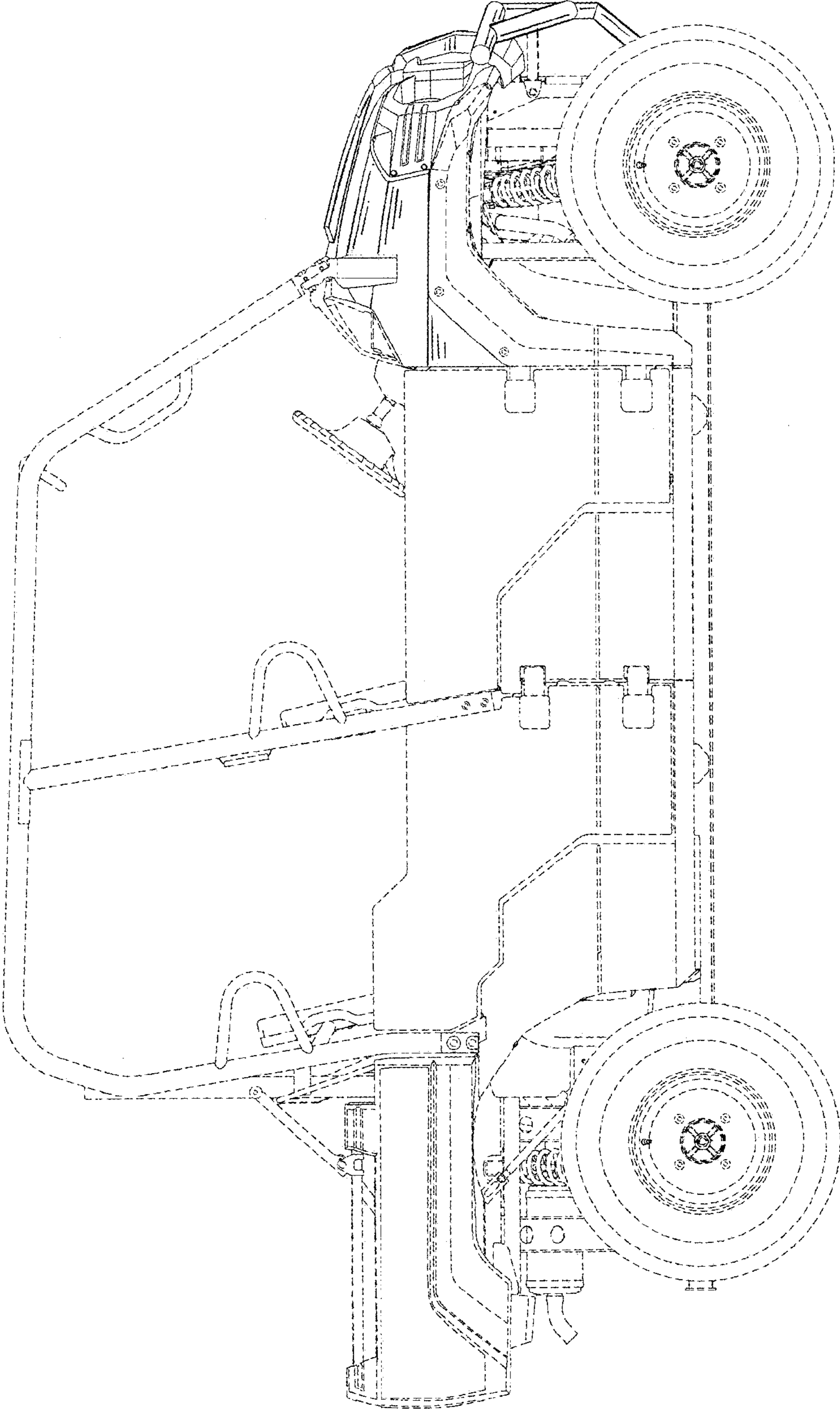
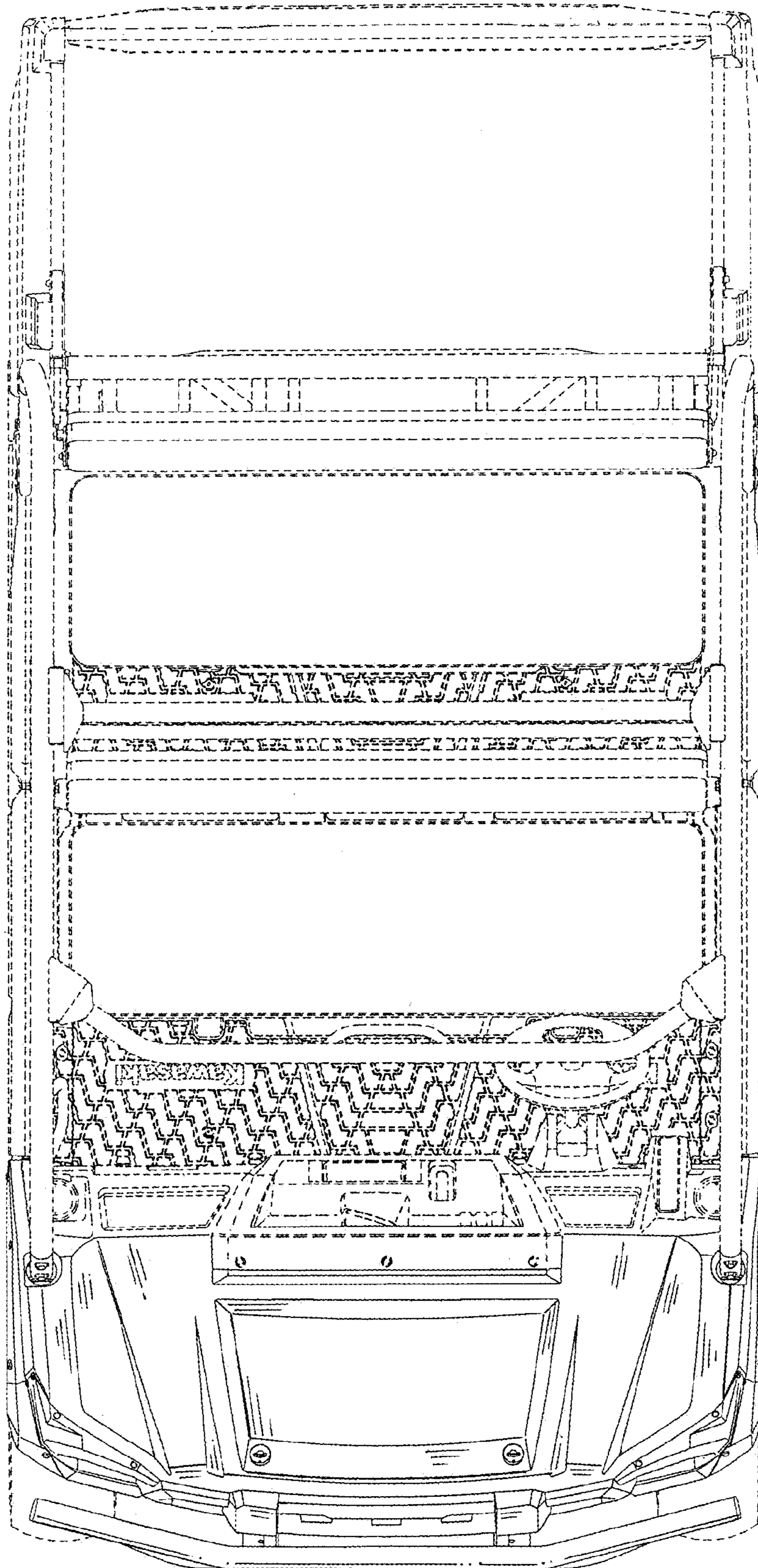


Fig. 2

Fig. 3



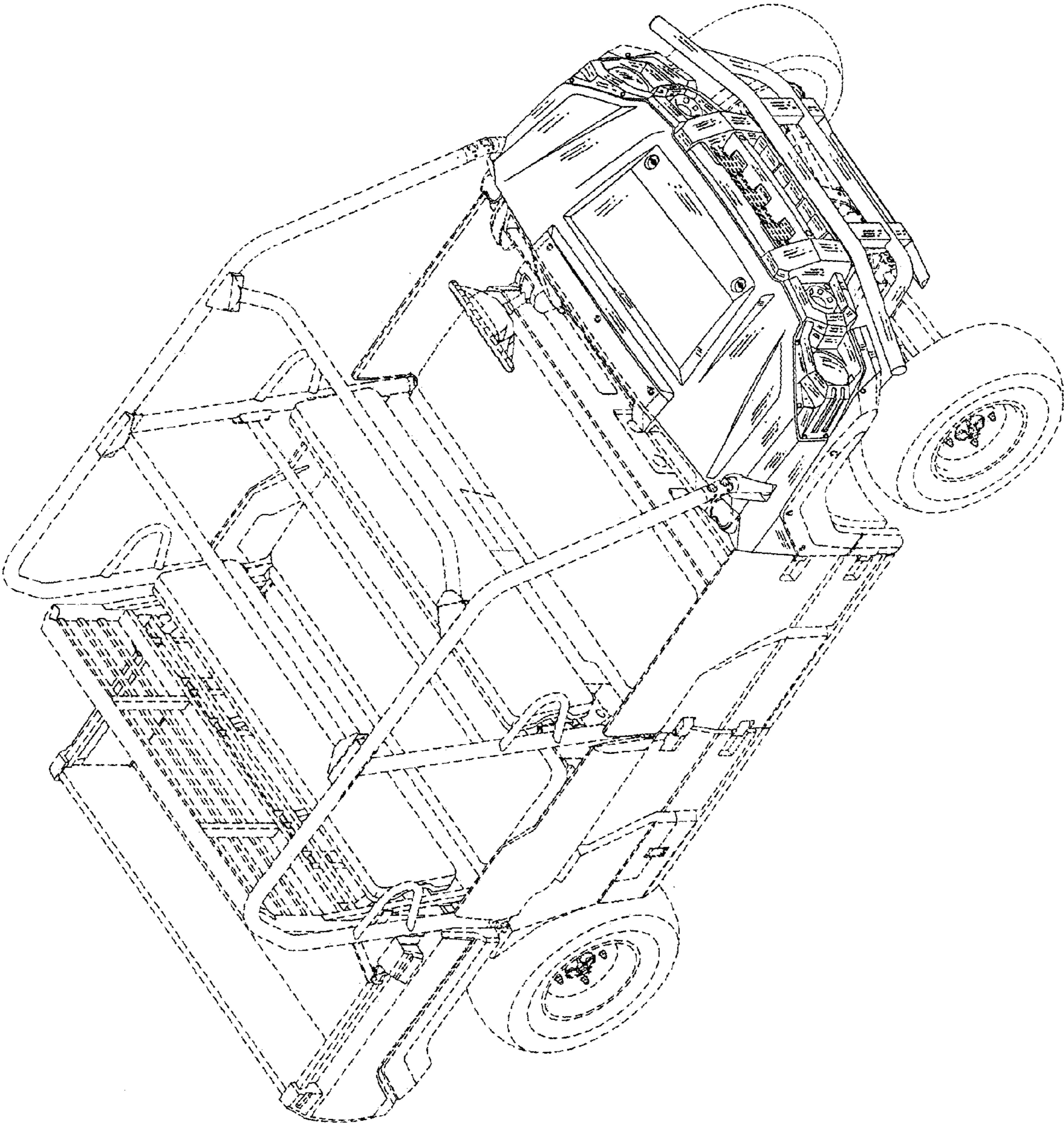


Fig. 4

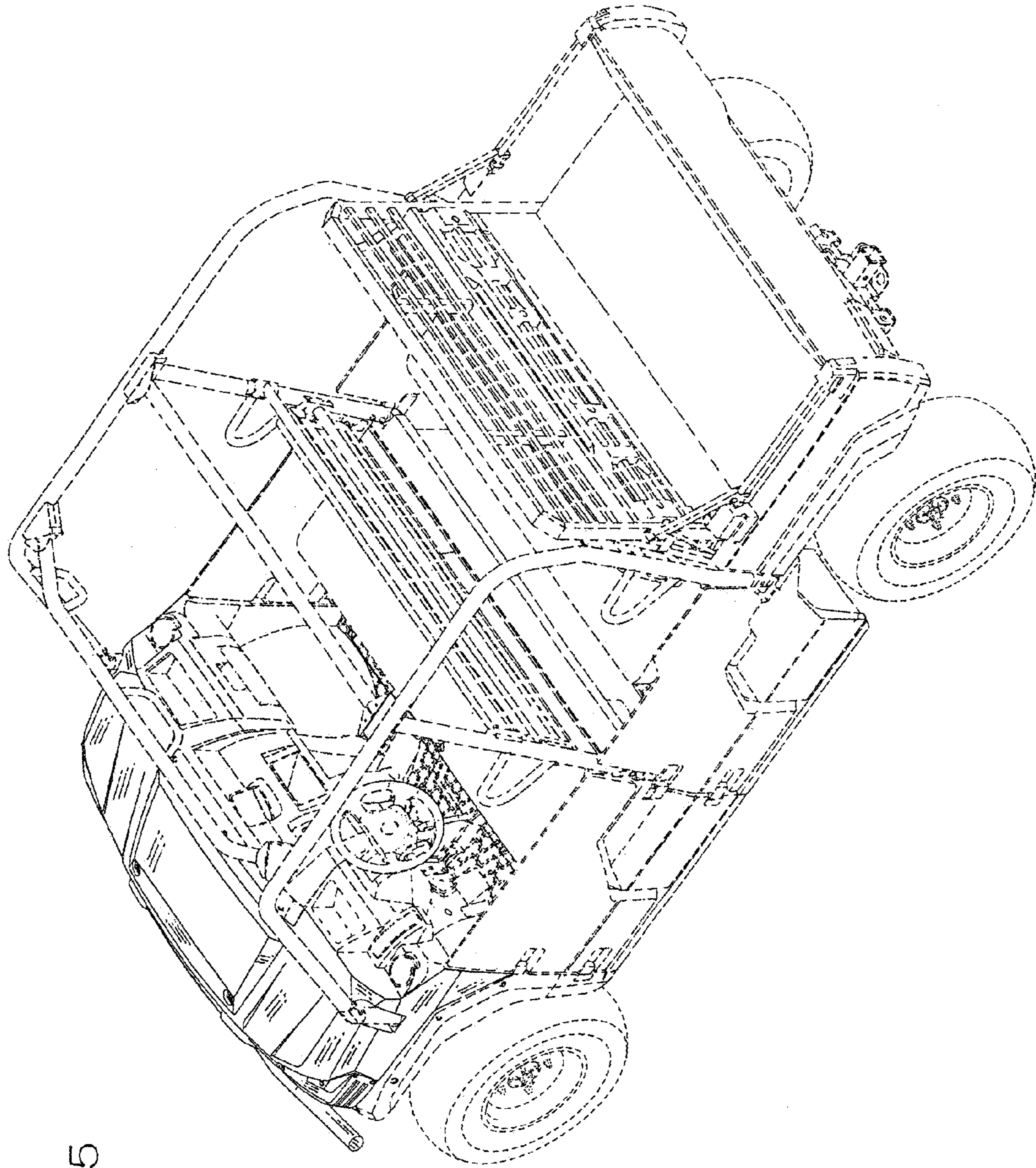


Fig. 5