

US00D734688S

(12) **United States Design Patent**  
**DeYoung et al.**

(10) **Patent No.:** **US D734,688 S**  
(45) **Date of Patent:** **\*\* Jul. 21, 2015**

(54) **PLANT CONTAINER**

(71) Applicant: **East Jordan Plastics, Inc.**, East Jordan, MI (US)

(72) Inventors: **Shawn DeYoung**, Saugatuck, MI (US);  
**Mark Lercel**, East Jordan, MI (US);  
**Nathan Diller**, East Jordan, MI (US)

(73) Assignee: **East Jordan Plastics, Inc.**, East Jordan, MI (US)

(\*\*) Term: **14 Years**

(21) Appl. No.: **29/494,072**

(22) Filed: **Jun. 17, 2014**

(51) **LOC (10) Cl.** ..... **11-02**

(52) **U.S. Cl.**  
USPC ..... **D11/152**

(58) **Field of Classification Search**  
USPC ..... D3/304, 305, 310, 311, 315, 306;  
D6/403, 404, 405, 556, 557, 558;  
D7/560, 561, 562, 565, 584, 585, 586,  
D7/587, 588; D9/424, 428, 429;  
D11/143-156, 164  
CPC ..... A01G 9/00; A01G 9/003; A01G 9/02;  
A01G 9/021; A01G 9/022; A01G 9/026;  
A01G 9/104; A01G 9/027; A01G 9/028;  
A01G 9/023

See application file for complete search history.

(56) **References Cited**

**U.S. PATENT DOCUMENTS**

D150,258 S \* 7/1948 Rosenberg ..... D11/155  
3,758,986 A \* 9/1973 Roberts ..... 47/79  
4,219,967 A \* 9/1980 Hickerson ..... 47/72  
D340,204 S \* 10/1993 Grosfillex ..... D11/155

D360,166 S \* 7/1995 Grosfillex ..... D11/155  
D392,914 S \* 3/1998 Friend ..... D11/143  
D394,827 S \* 6/1998 Ruthenberg ..... D11/155  
D423,406 S \* 4/2000 Grosfillex ..... D11/155  
D426,490 S \* 6/2000 Grosfillex ..... D11/155  
D488,401 S \* 4/2004 Gutierrez ..... D11/155  
D542,098 S \* 5/2007 Wasserman et al. .... D7/584  
D552,319 S \* 10/2007 Gusdorf ..... D34/1  
D578,830 S \* 10/2008 Freeman ..... D7/586  
D578,929 S \* 10/2008 White ..... D11/155  
D578,930 S \* 10/2008 White ..... D11/155  
D579,375 S \* 10/2008 White ..... D11/155  
D596,074 S \* 7/2009 Bodum ..... D11/155  
D631,782 S \* 2/2011 White ..... D11/155

(Continued)

*Primary Examiner* — Elizabeth Albert

(74) *Attorney, Agent, or Firm* — Gardner, Linn, Burkhardt & Flory, LLP

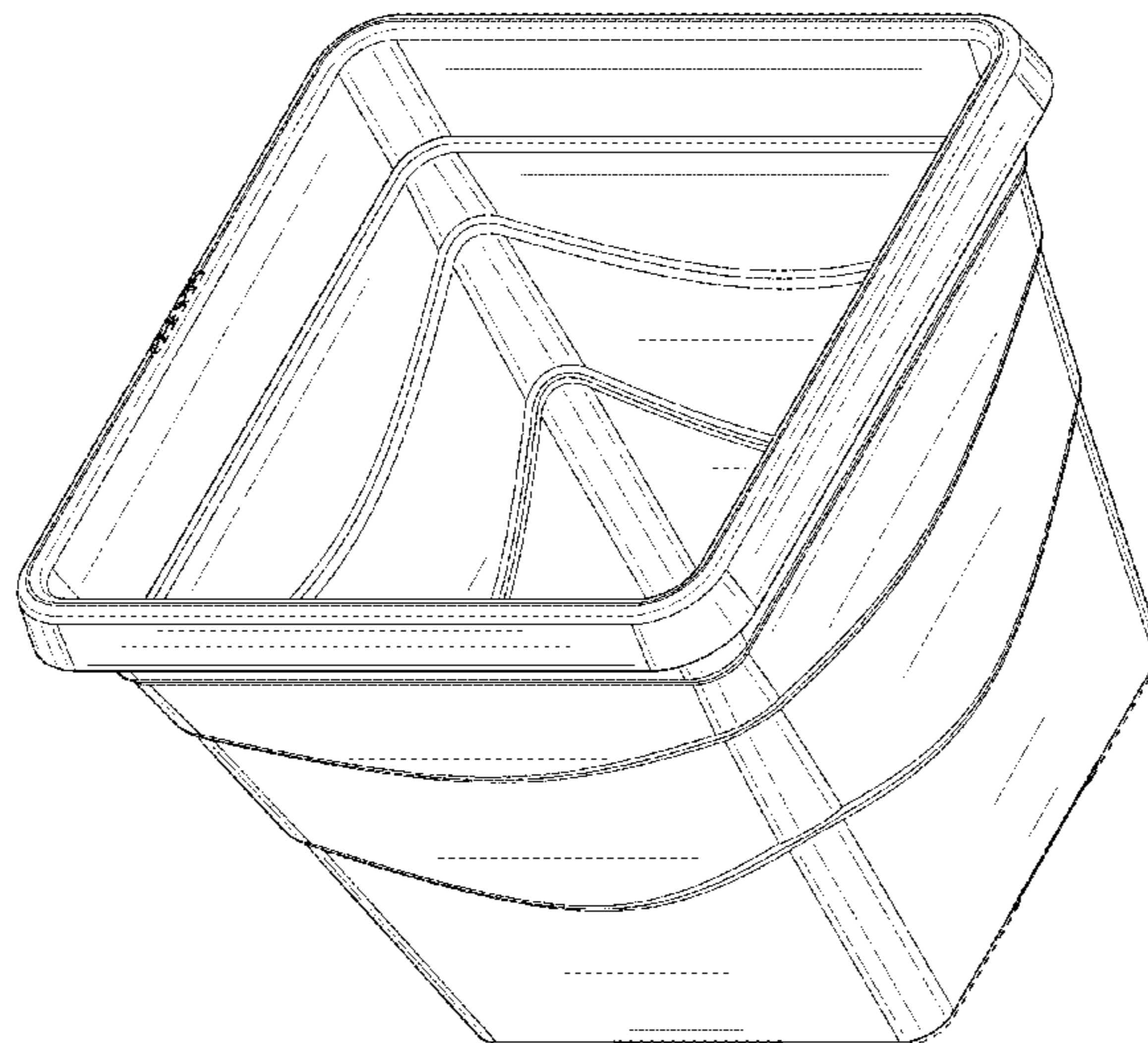
(57) **CLAIM**

The ornamental design for the plant container, as shown and described.

**DESCRIPTION**

FIG. 1 is a top perspective view of a plant container showing our new design;  
FIG. 2 is a side view of a first side of the plant container of FIG. 1;  
FIG. 3 is a side view of a second side of the plant container of FIG. 1;  
FIG. 4 is a side view of a third side of the plant container of FIG. 1;  
FIG. 5 is a side view of a fourth side of the plant container of FIG. 1;  
FIG. 6 is a top plan view of the plant container of FIG. 1; and,  
FIG. 7 is a bottom plan view of the plant container of FIG. 1.  
The broken lines are for illustrative purposes only and form no part of the claimed design.

**1 Claim, 7 Drawing Sheets**



(56)

**References Cited**

U.S. PATENT DOCUMENTS

D631,783 S *	2/2011	White	.....	D11/155	D696,938 S *	1/2014	BeVier et al.	.....	D9/429
D665,300 S *	8/2012	Pedersen et al.	.....	D11/155	D697,372 S *	1/2014	Everingham et al.	.....	D7/587
D684,855 S *	6/2013	BeVier et al.	.....	D9/429	8,794,440 B2 *	8/2014	BeVier et al.	.....	206/507
					2011/0203175 A1 *	8/2011	Horito et al.	.....	47/65.6
					2013/0264921 A1 *	10/2013	Kumar	.....	312/235.5

\* cited by examiner

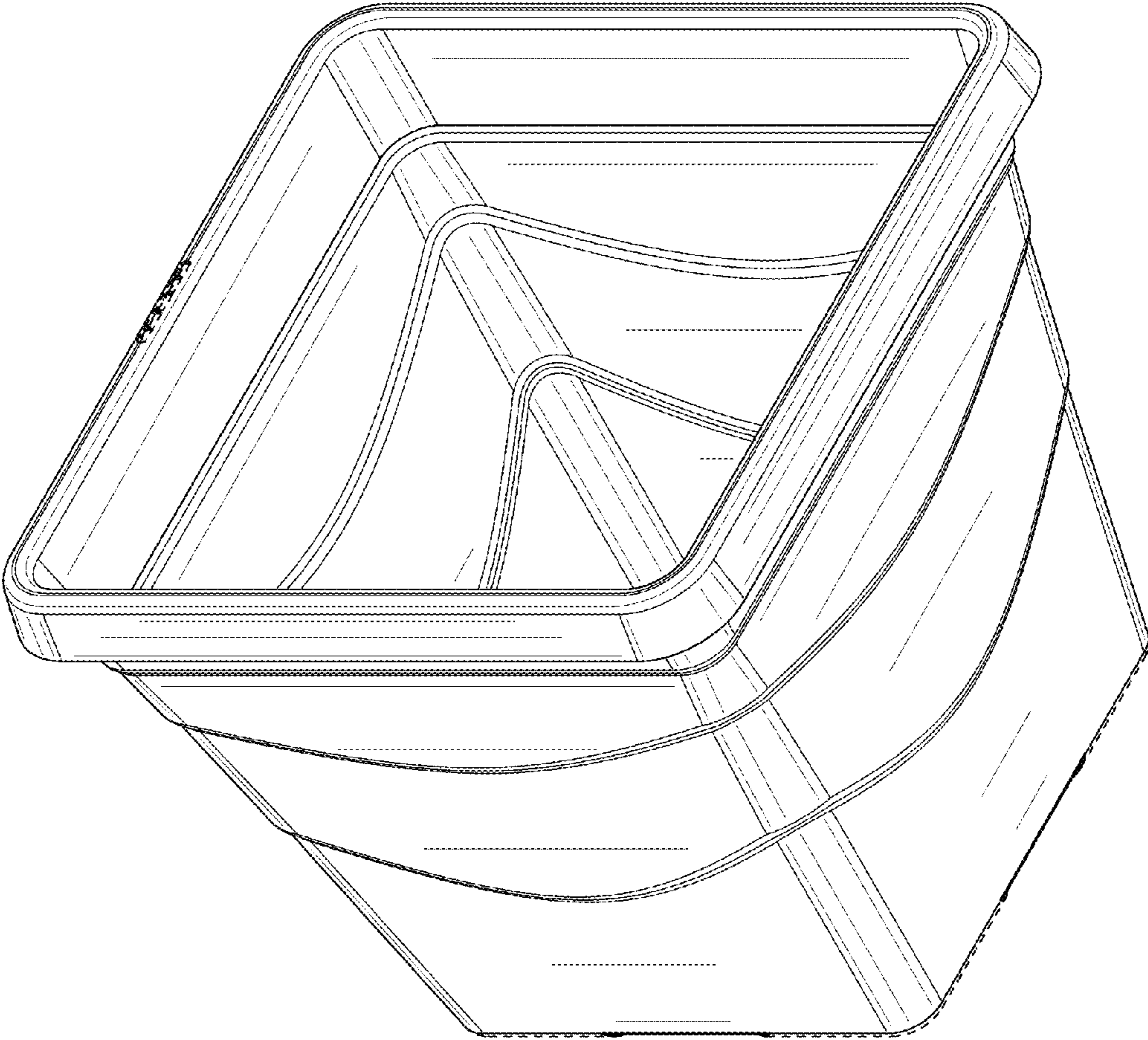


FIG. 1

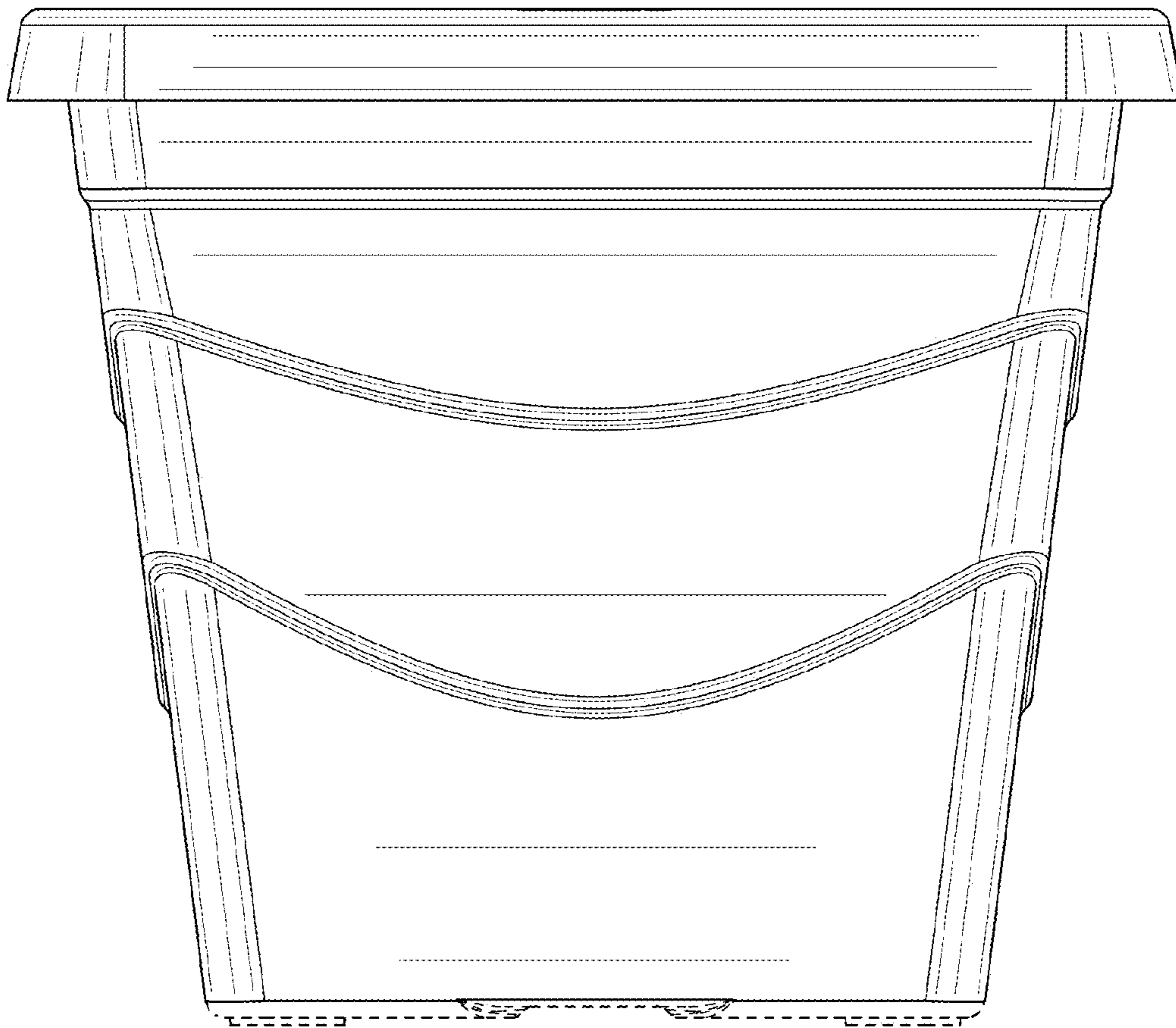


FIG. 2

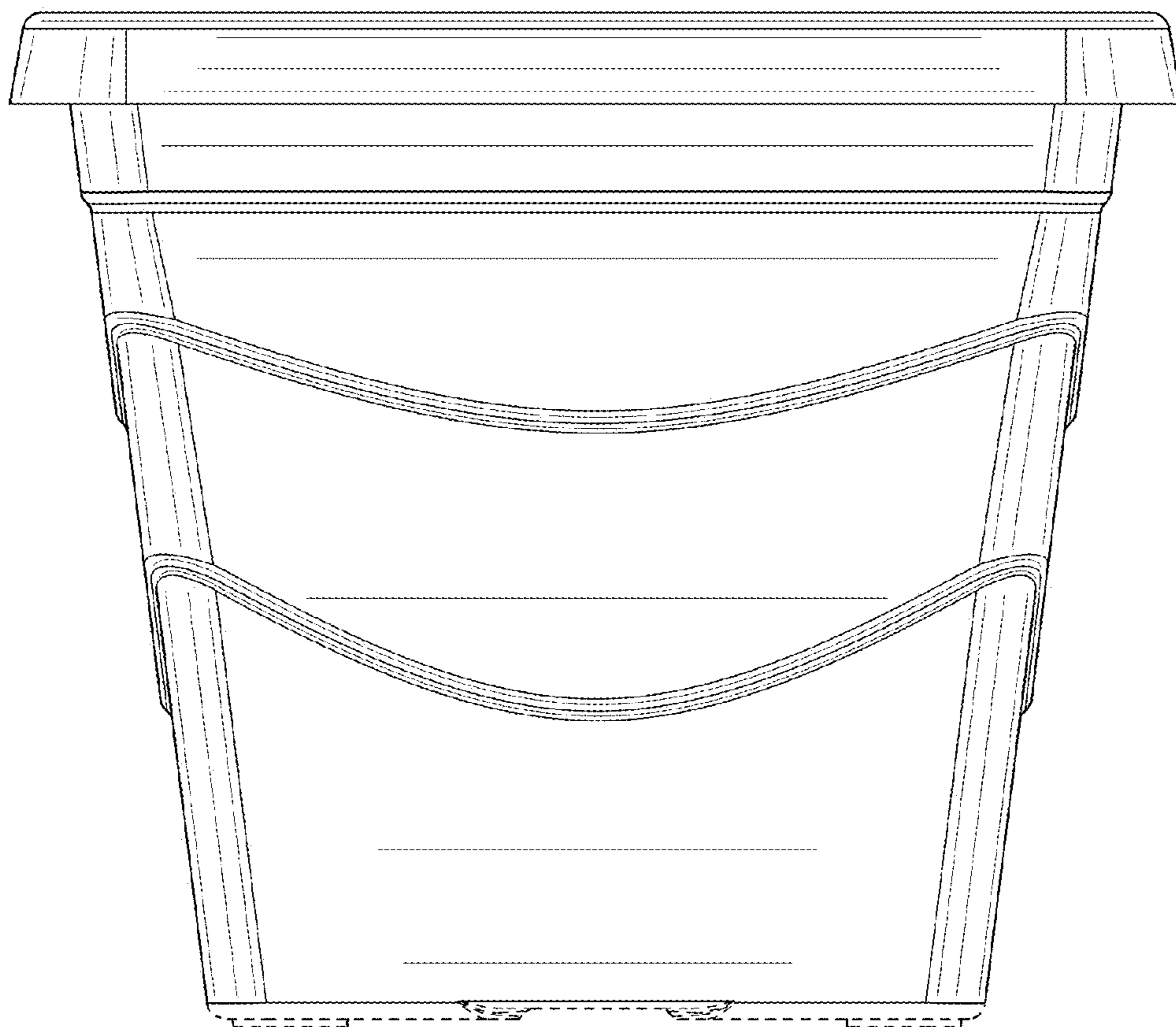


FIG. 3

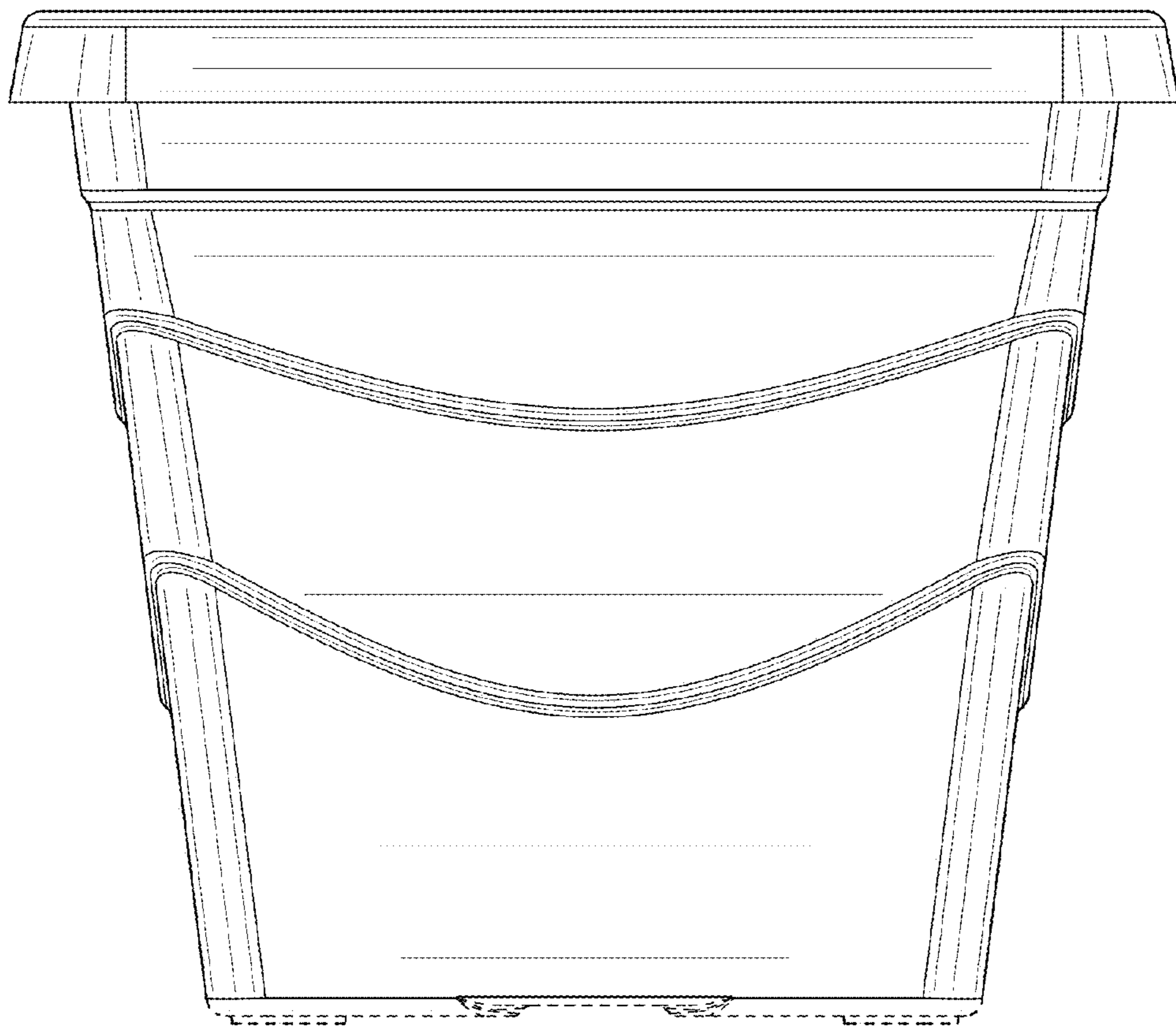


FIG. 4

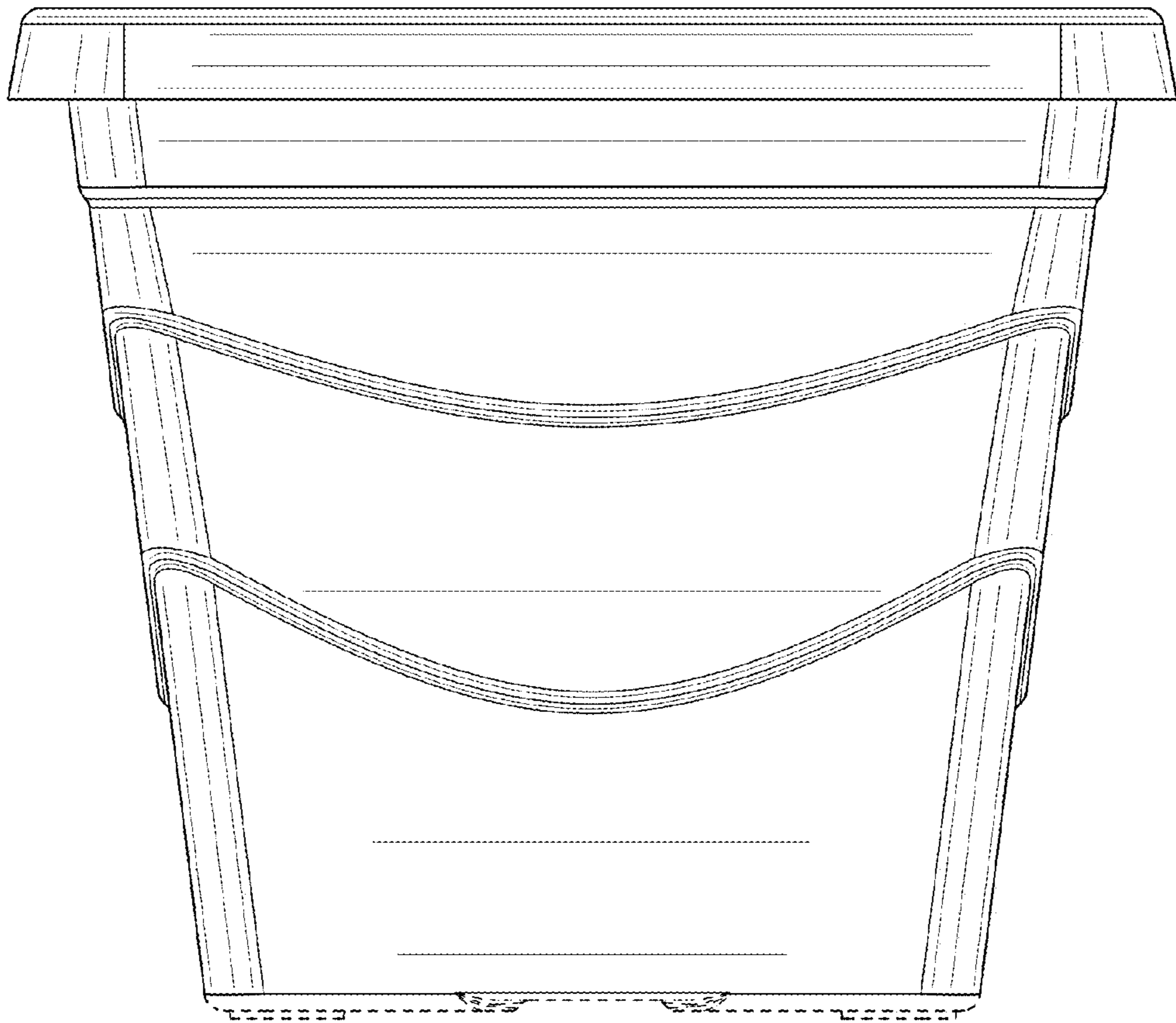


FIG. 5

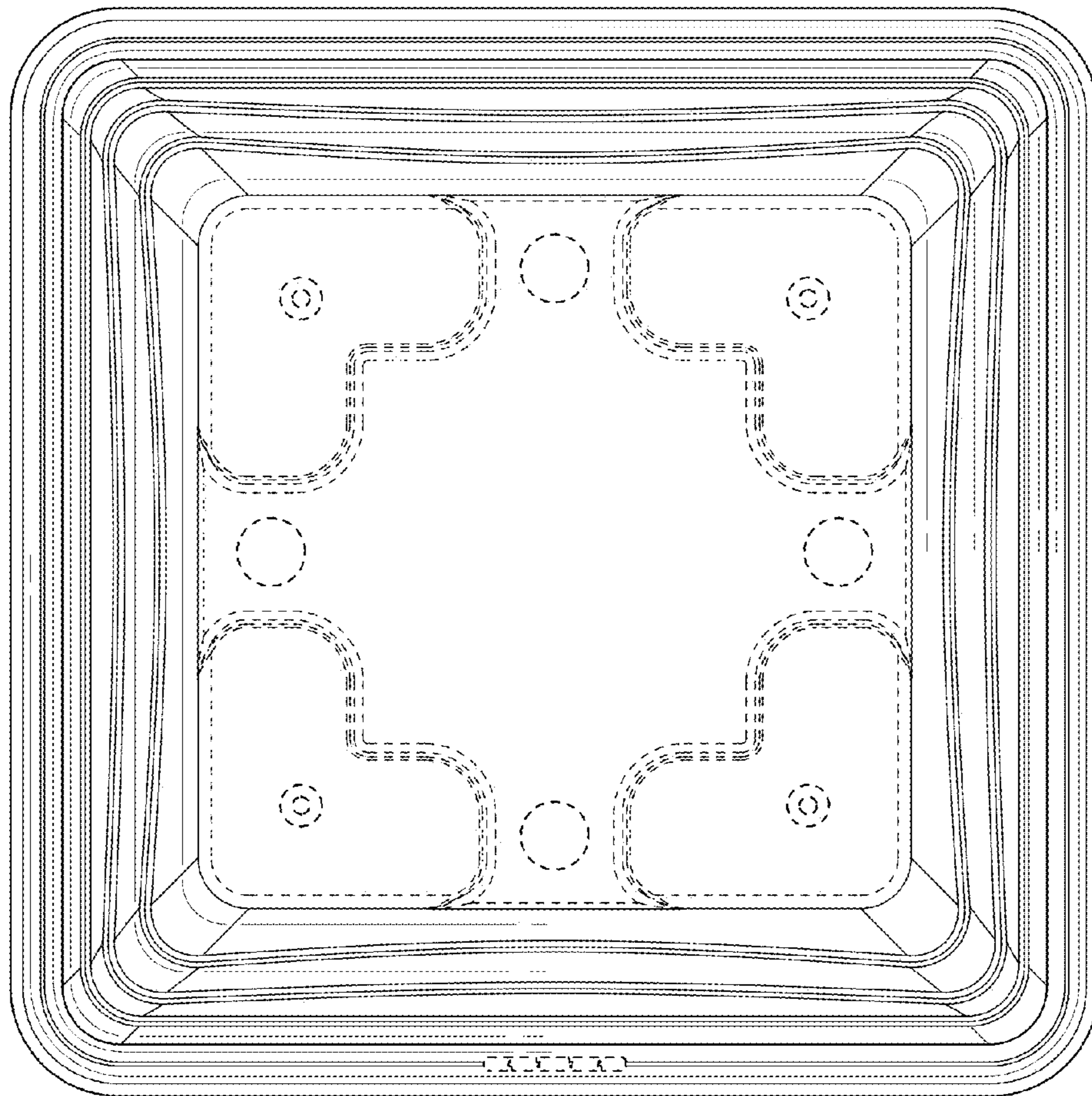


FIG. 6



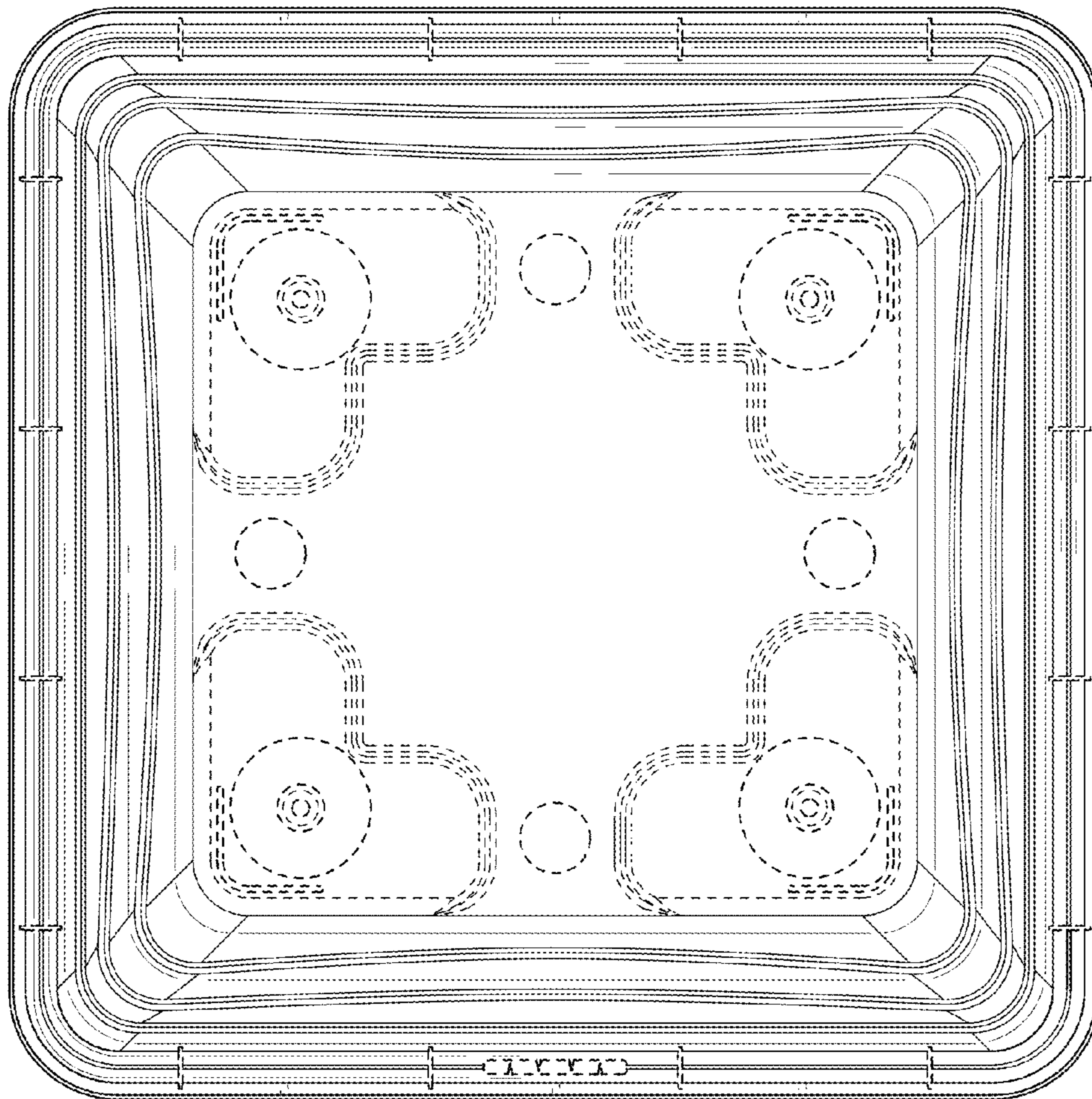


FIG. 7